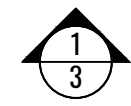
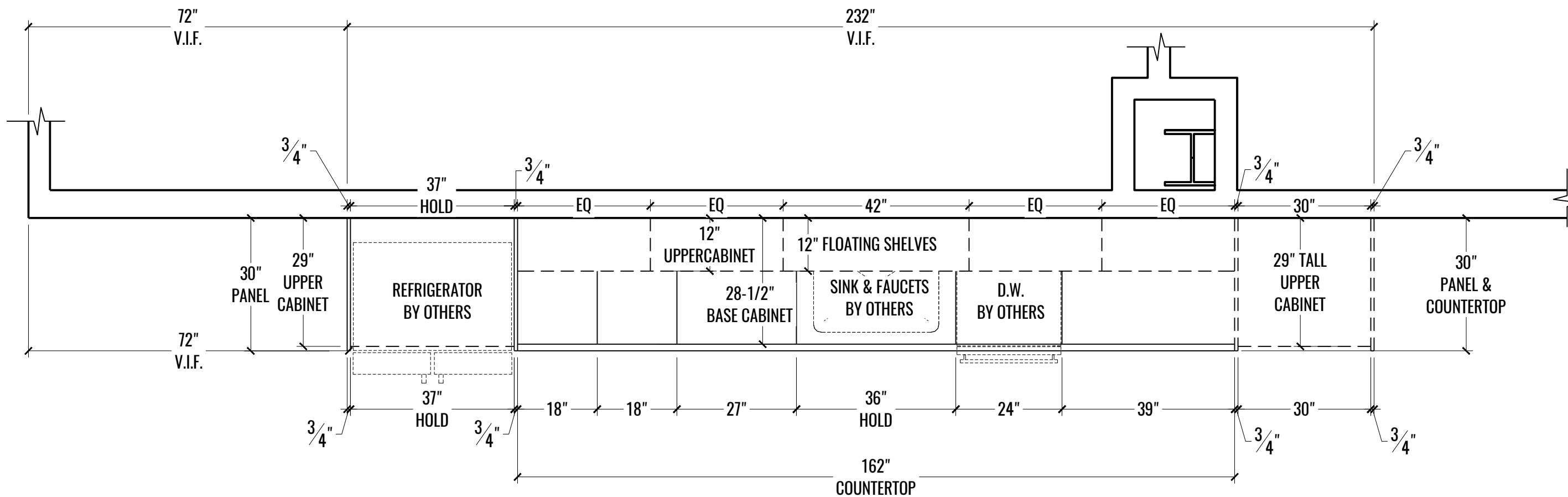
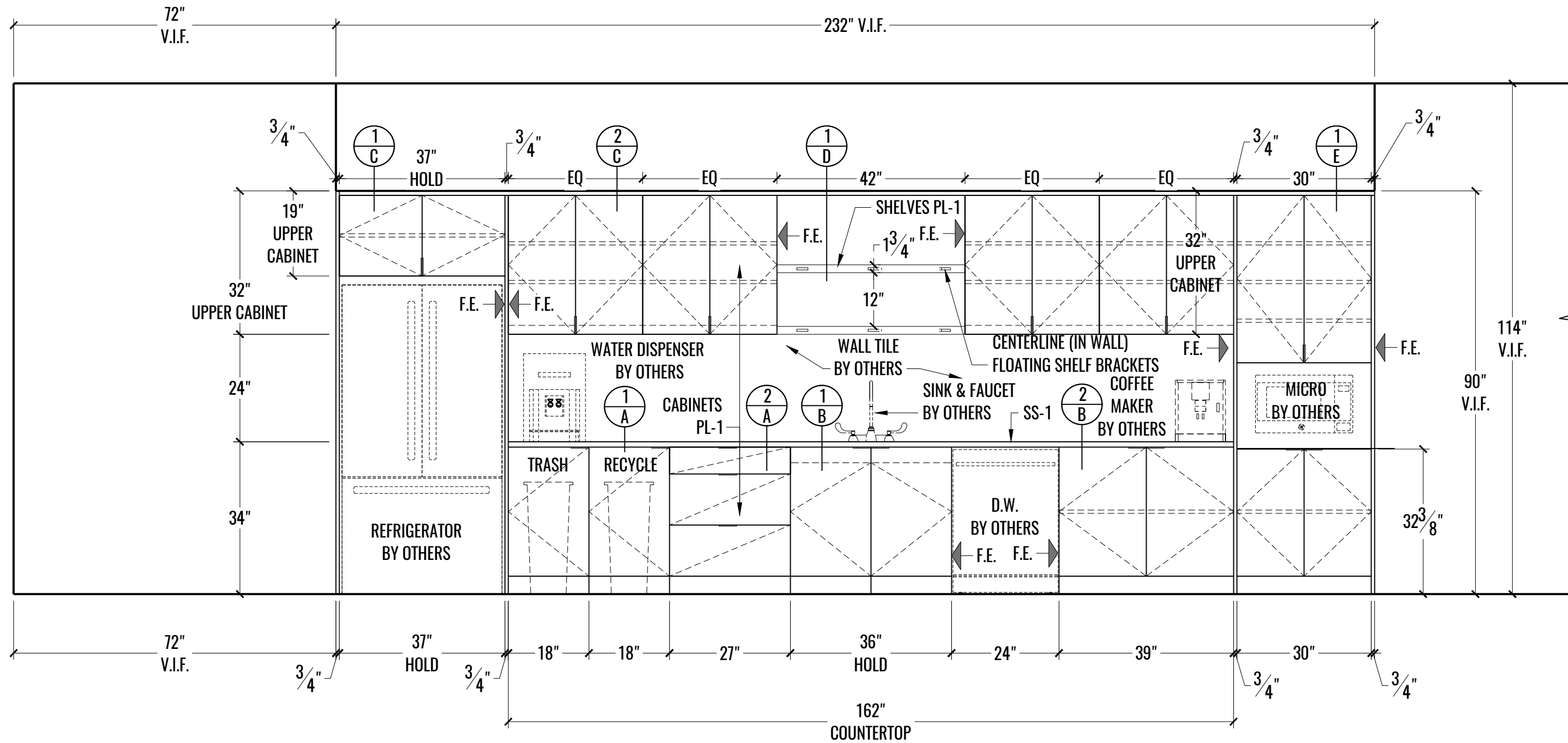


1 PLAN: PROJECT SCOPE
 1 SCALE: NOT TO SCALE

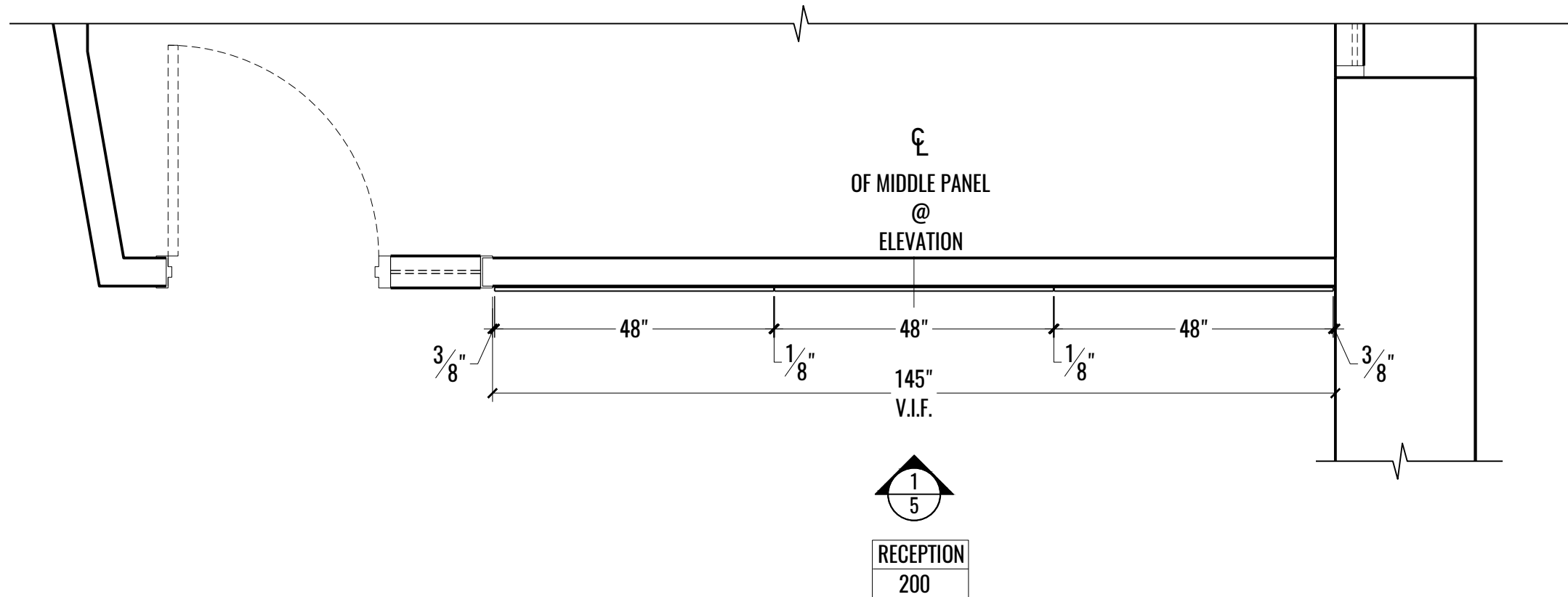


PANTRY
218

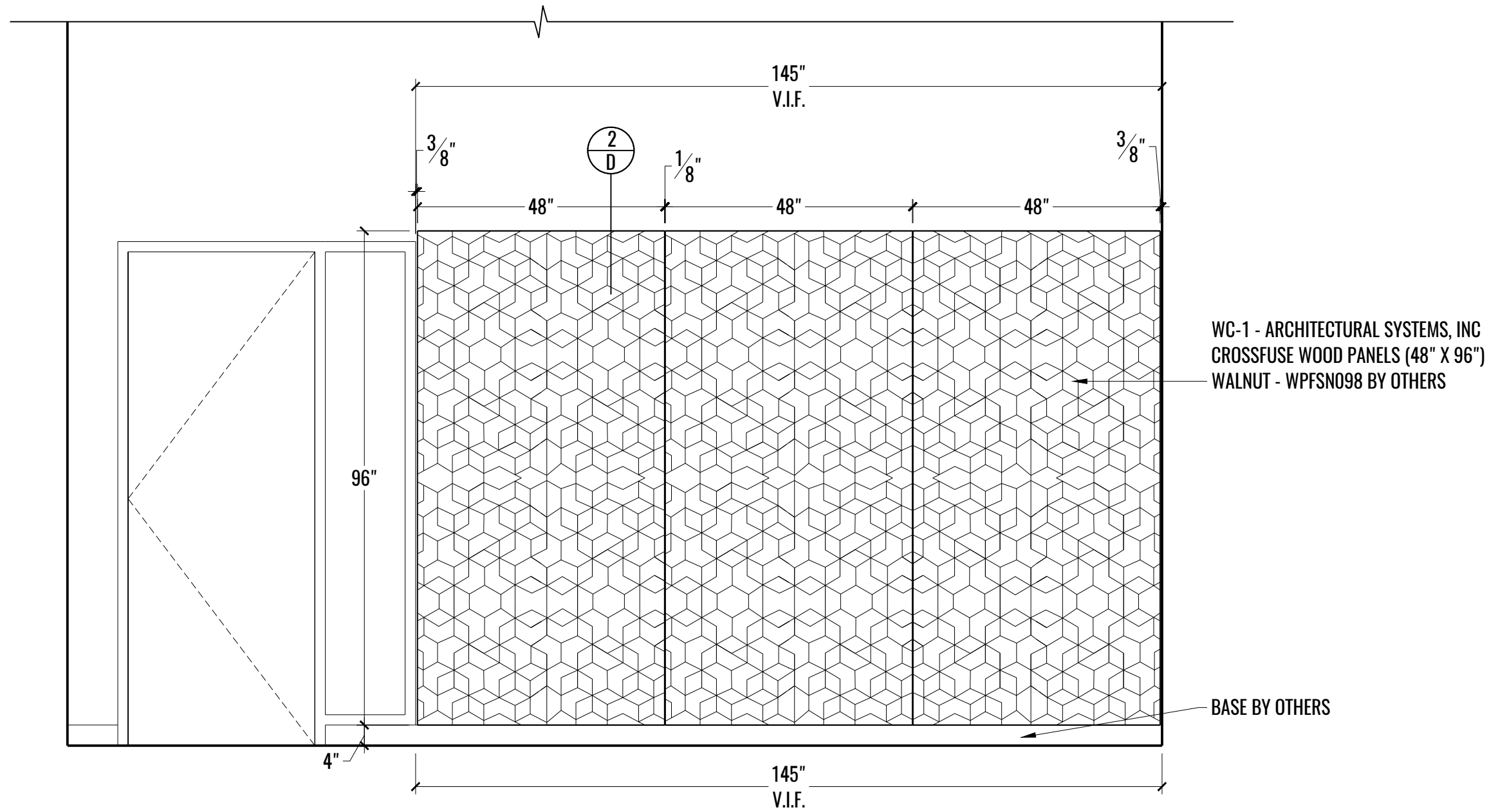
1 PLAN: PANTRY - 218
2 SCALE: 1/2" = 1'-0"



1 ELEVATION: PANTRY - 218
 3 SCALE: 1/2" = 1'-0"



1 PLAN: RECEPTION - 200
 4 SCALE: 1/2" = 1'-0"

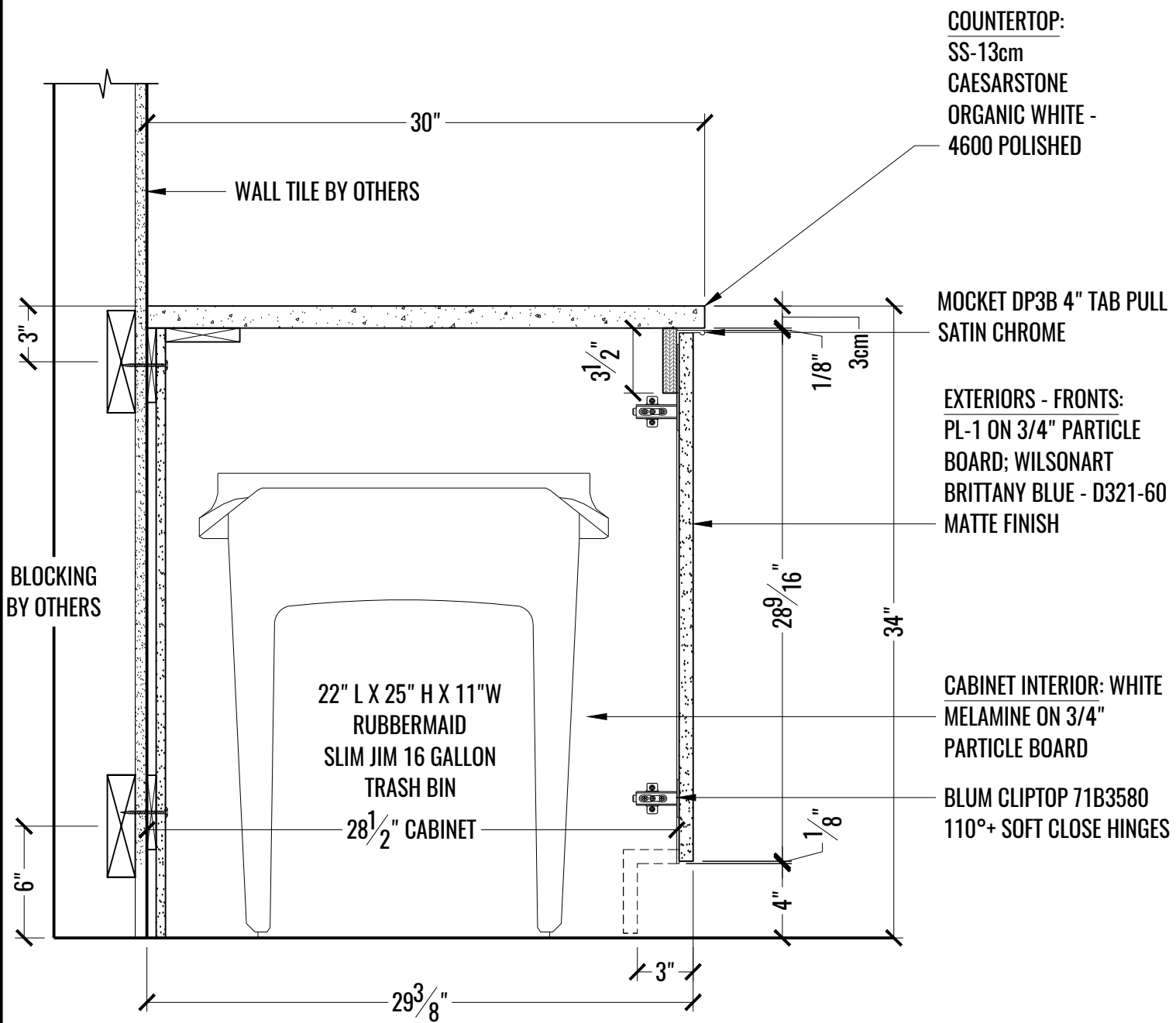


WC-1 - ARCHITECTURAL SYSTEMS, INC
 CROSSFUSE WOOD PANELS (48" X 96")
 WALNUT - WPFSN098 BY OTHERS

BASE BY OTHERS

1
 5 ELEVATION: RECEPTION - 200
 SCALE: 1/2" = 1'-0"

DRAWING NUMBER
 MW5



COUNTERTOP:
 SS-13cm
 CAESARSTONE
 ORGANIC WHITE -
 4600 POLISHED

MOCKET DP3B 4" TAB PULL
 SATIN CHROME

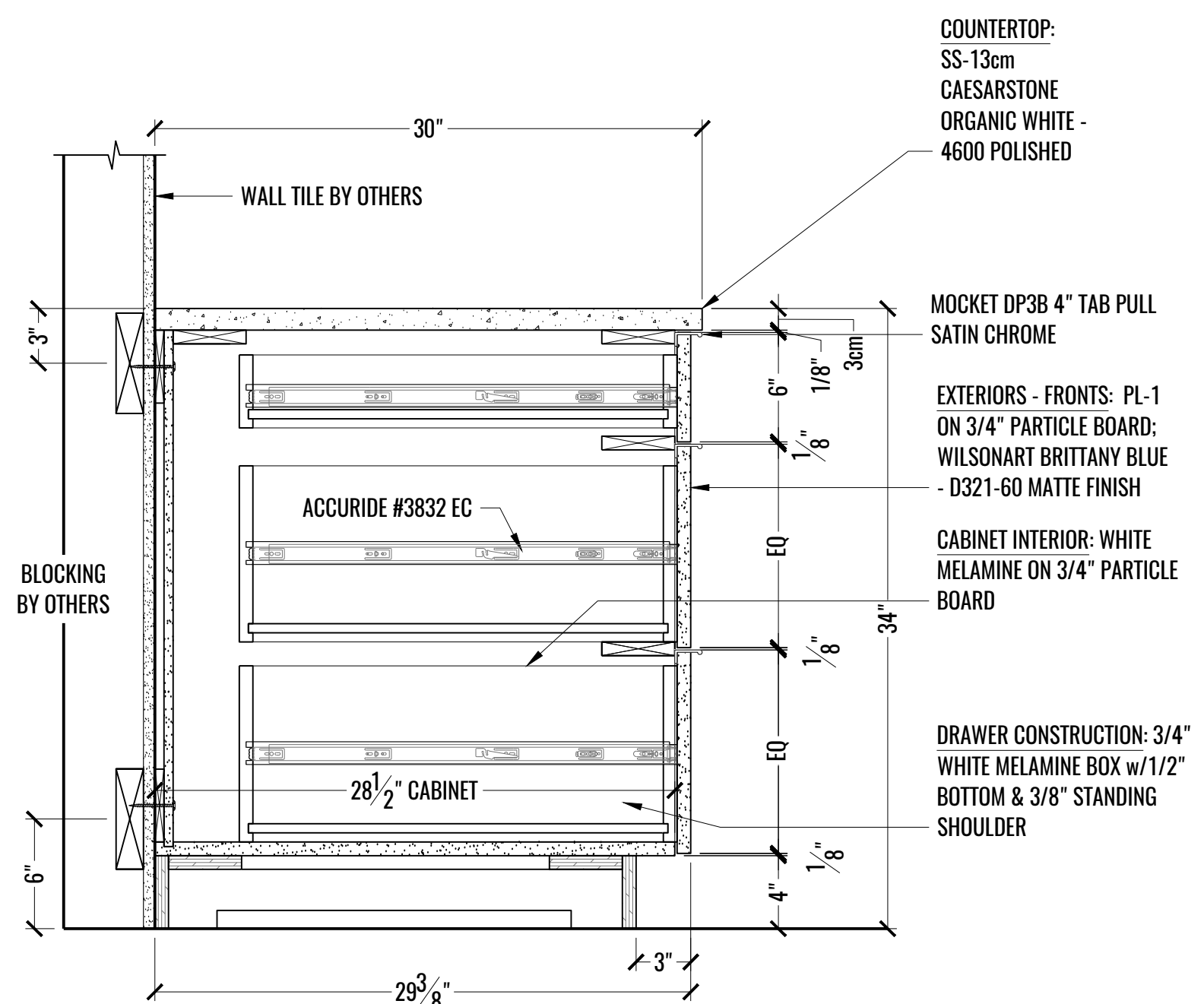
EXTERIORS - FRONTS:
 PL-1 ON 3/4" PARTICLE
 BOARD; WILSONART
 BRITTANY BLUE - D321-60
 MATTE FINISH

CABINET INTERIOR: WHITE
 MELAMINE ON 3/4"
 PARTICLE BOARD

BLUM CLIPTOP 71B3580
 110°+ SOFT CLOSE HINGES

22" L X 25" H X 11"W
 RUBBERMAID
 SLIM JIM 16 GALLON
 TRASH BIN
 28 1/2" CABINET

1 SECTION: TRASH/RECYCLE - PANTRY - 218
 A SCALE: 1-1/2" = 1'-0"



COUNTERTOP:
 SS-13cm
 CAESARSTONE
 ORGANIC WHITE -
 4600 POLISHED

MOCKET DP3B 4" TAB PULL
 SATIN CHROME

EXTERIORS - FRONTS: PL-1
 ON 3/4" PARTICLE BOARD;
 WILSONART BRITTANY BLUE
 - D321-60 MATTE FINISH

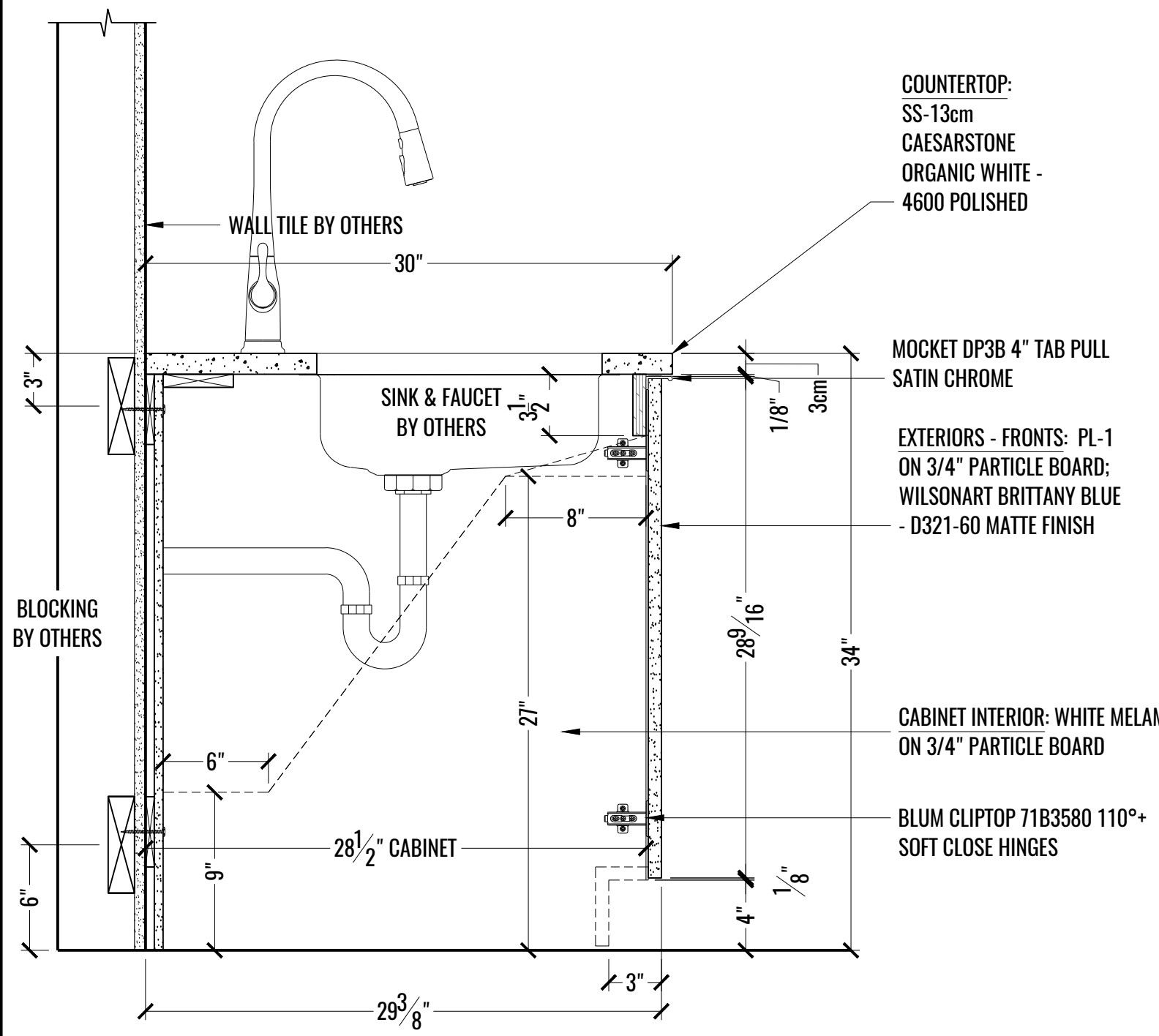
CABINET INTERIOR: WHITE
 MELAMINE ON 3/4"
 PARTICLE BOARD

DRAWER CONSTRUCTION: 3/4"
 WHITE MELAMINE BOX w/1/2"
 BOTTOM & 3/8" STANDING
 SHOULDER

ACCURIDE #3832 EC

28 1/2" CABINET

2 SECTION: BASE DRAWERS - PANTRY - 218
 A SCALE: 1-1/2" = 1'-0"



COUNTERTOP:
 SS-13cm
 CAESARSTONE
 ORGANIC WHITE -
 4600 POLISHED

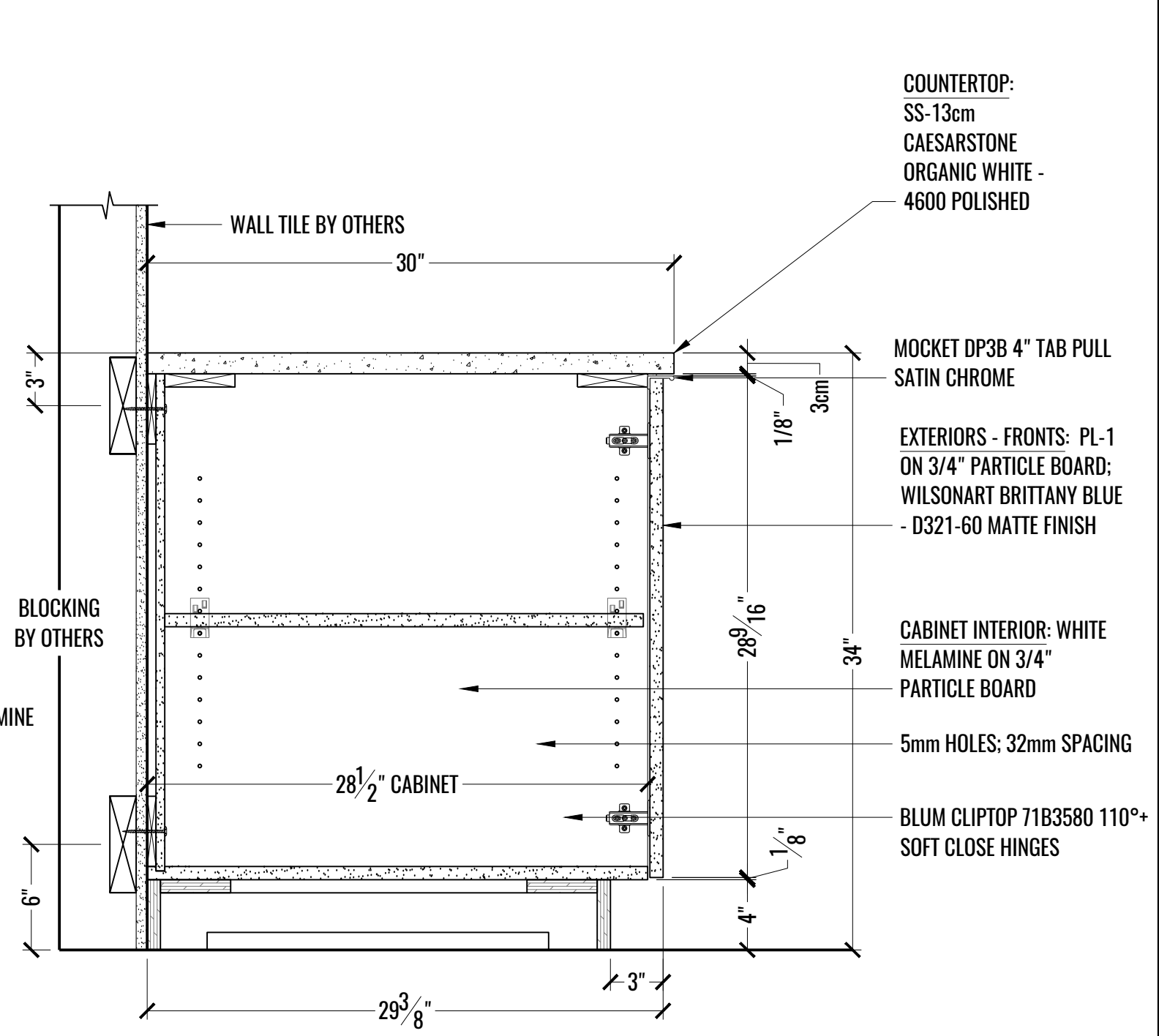
MOCKET DP3B 4" TAB PULL
 SATIN CHROME

EXTERIORS - FRONTS: PL-1
 ON 3/4" PARTICLE BOARD;
 WILSONART BRITTANY BLUE
 - D321-60 MATTE FINISH

CABINET INTERIOR: WHITE MELAMINE
 ON 3/4" PARTICLE BOARD

BLUM CLIPTOP 71B3580 110°+
 SOFT CLOSE HINGES

1 SECTION: SINK - PANTRY - 218
 B SCALE: 1-1/2" = 1'-0"



COUNTERTOP:
 SS-13cm
 CAESARSTONE
 ORGANIC WHITE -
 4600 POLISHED

MOCKET DP3B 4" TAB PULL
 SATIN CHROME

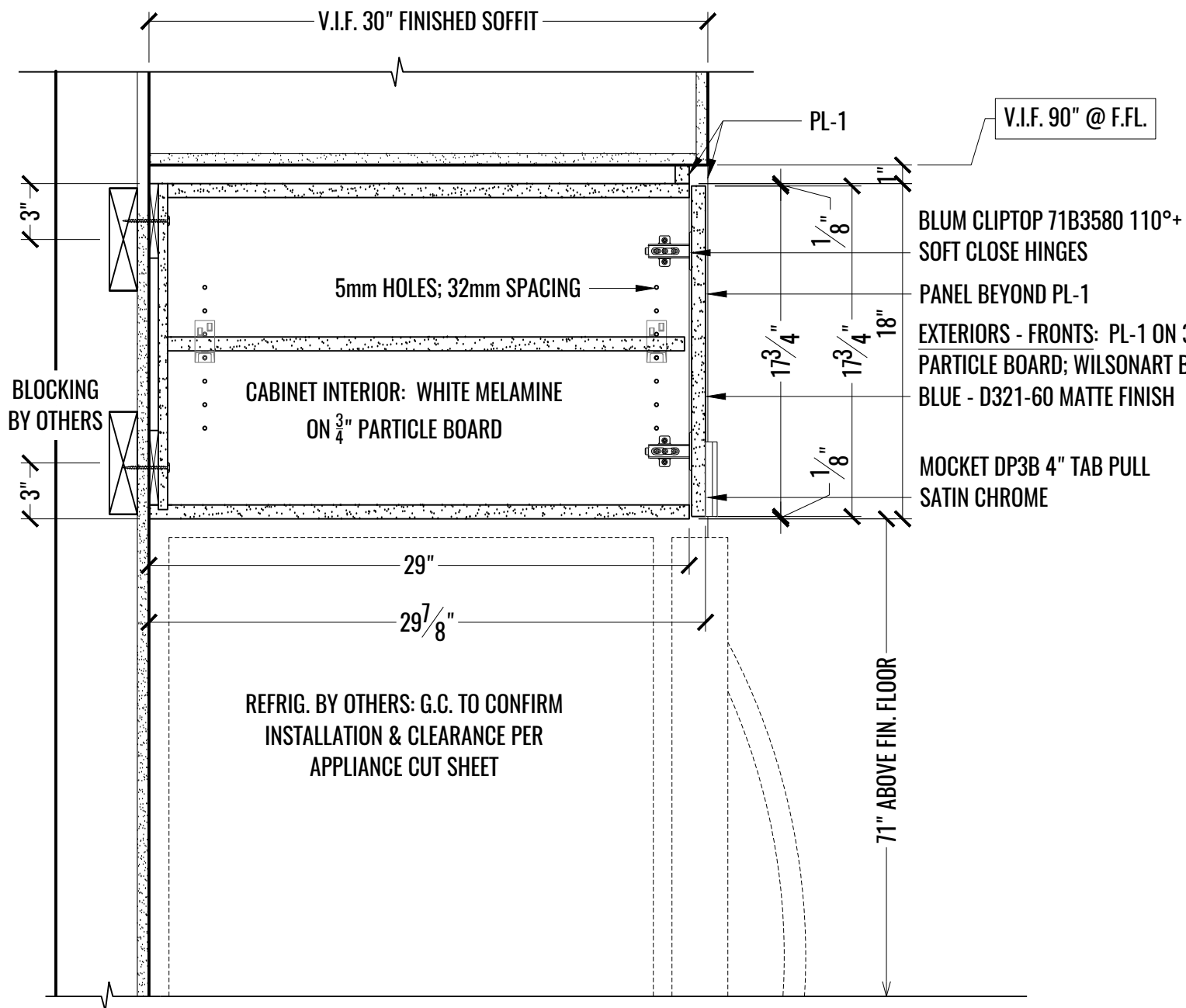
EXTERIORS - FRONTS: PL-1
 ON 3/4" PARTICLE BOARD;
 WILSONART BRITTANY BLUE
 - D321-60 MATTE FINISH

CABINET INTERIOR: WHITE
 MELAMINE ON 3/4"
 PARTICLE BOARD

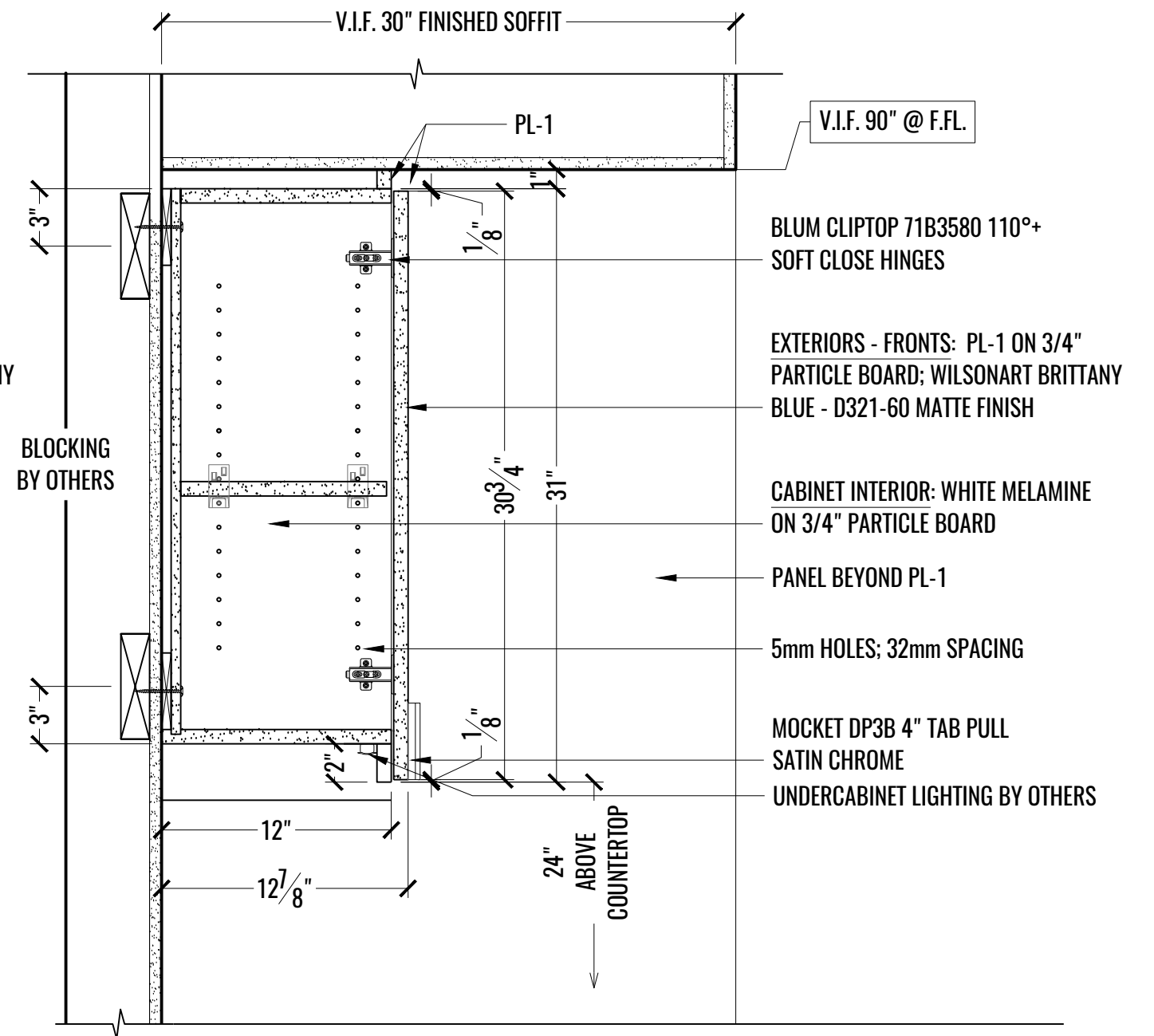
5mm HOLES: 32mm SPACING

BLUM CLIPTOP 71B3580 110°+
 SOFT CLOSE HINGES

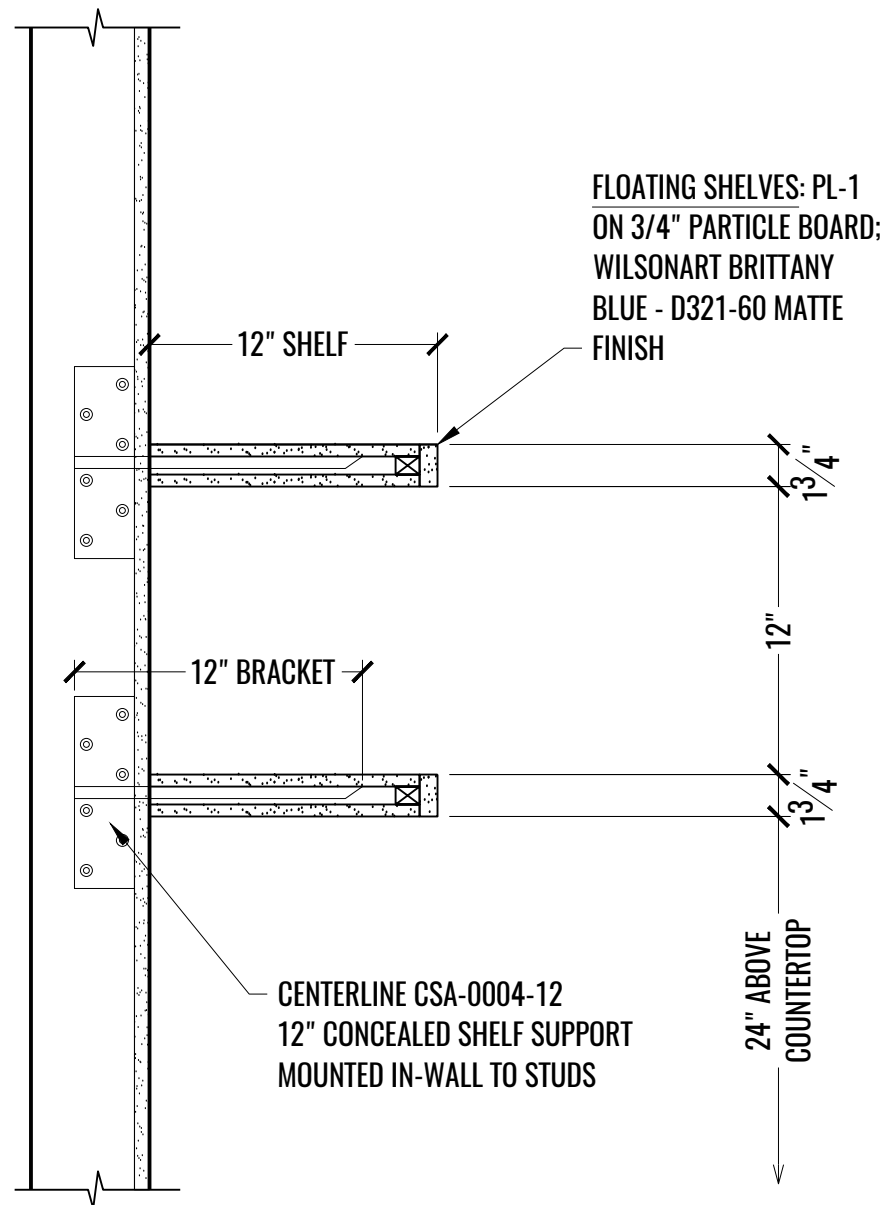
2 SECTION: BASE CABINET - PANTRY - 218
 B SCALE: 1-1/2" = 1'-0"



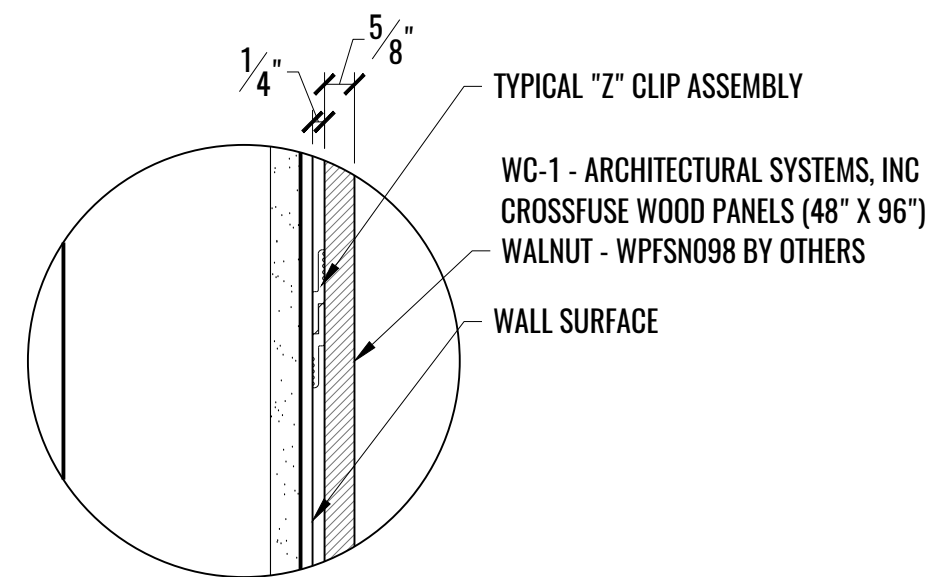
1 SECTION: UPPER CABINET @ REFRIGERATOR - PANTRY - 218
 C SCALE: 1-1/2" = 1'-0"



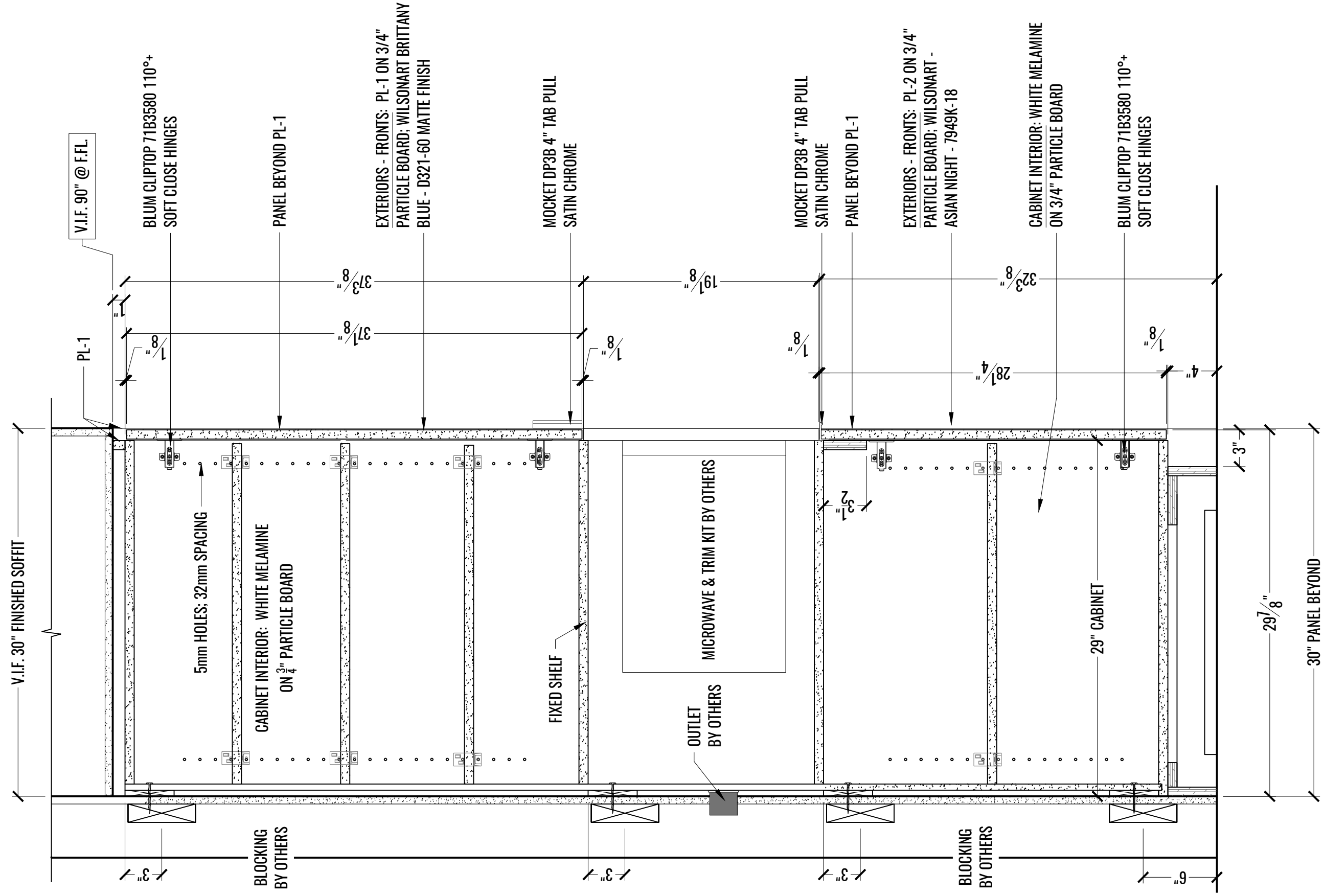
2 SECTION: UPPER CABINETS 32" H - PANTRY - 218
 C SCALE: 1-1/2" = 1'-0"



1 SECTION: FLOATING SHELVES - PANTRY - 218
D SCALE: 1-1/2" = 1'-0"



2 SECTION: WOOD PANELS DETAIL - WC-1 - RECEPTION - 200
D SCALE: 3" = 1'-0"



1 SECTION: TALL CABINET - PANTRY - 218
 E SCALE: 1-1/2" = 1'-0"