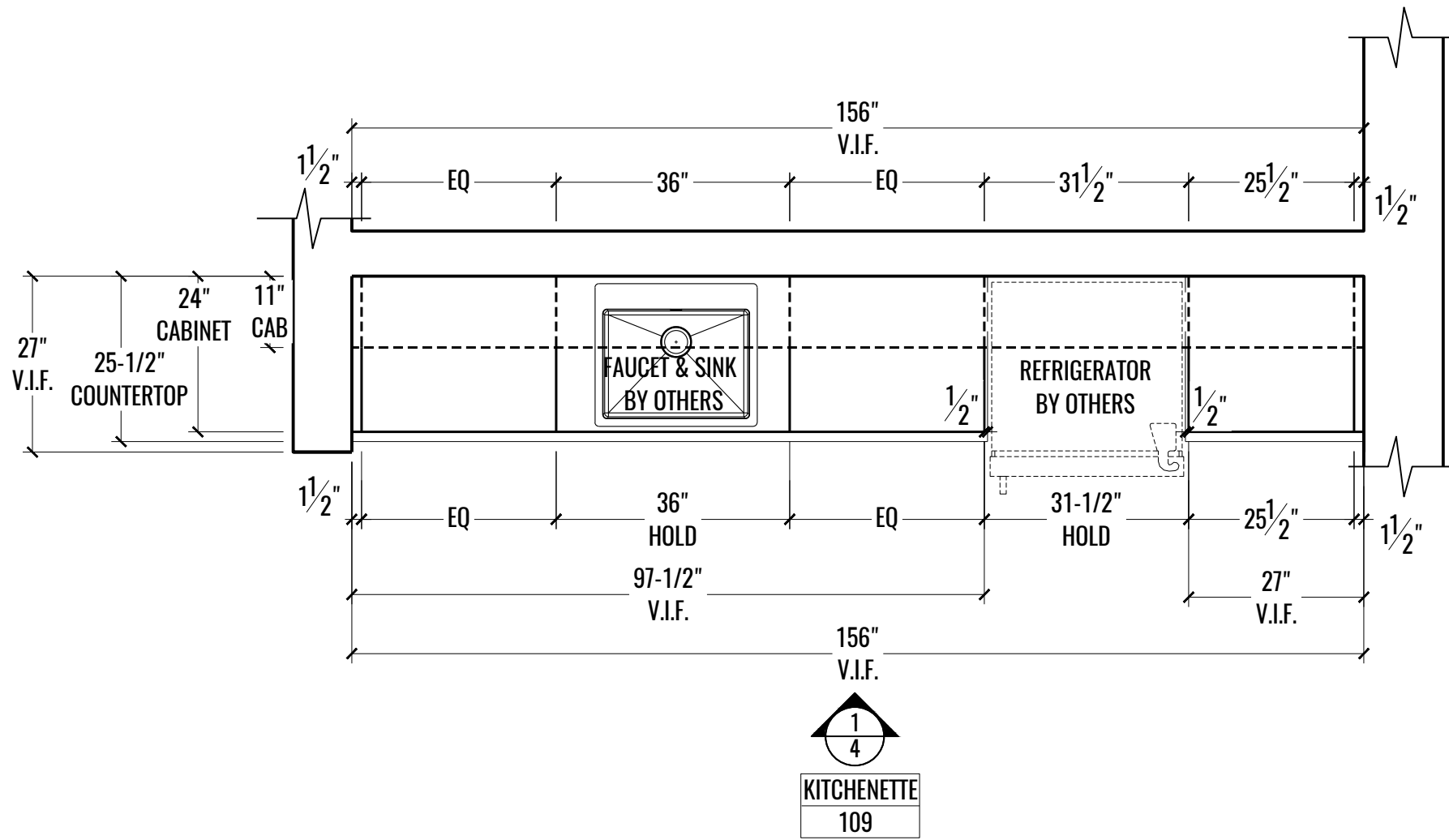


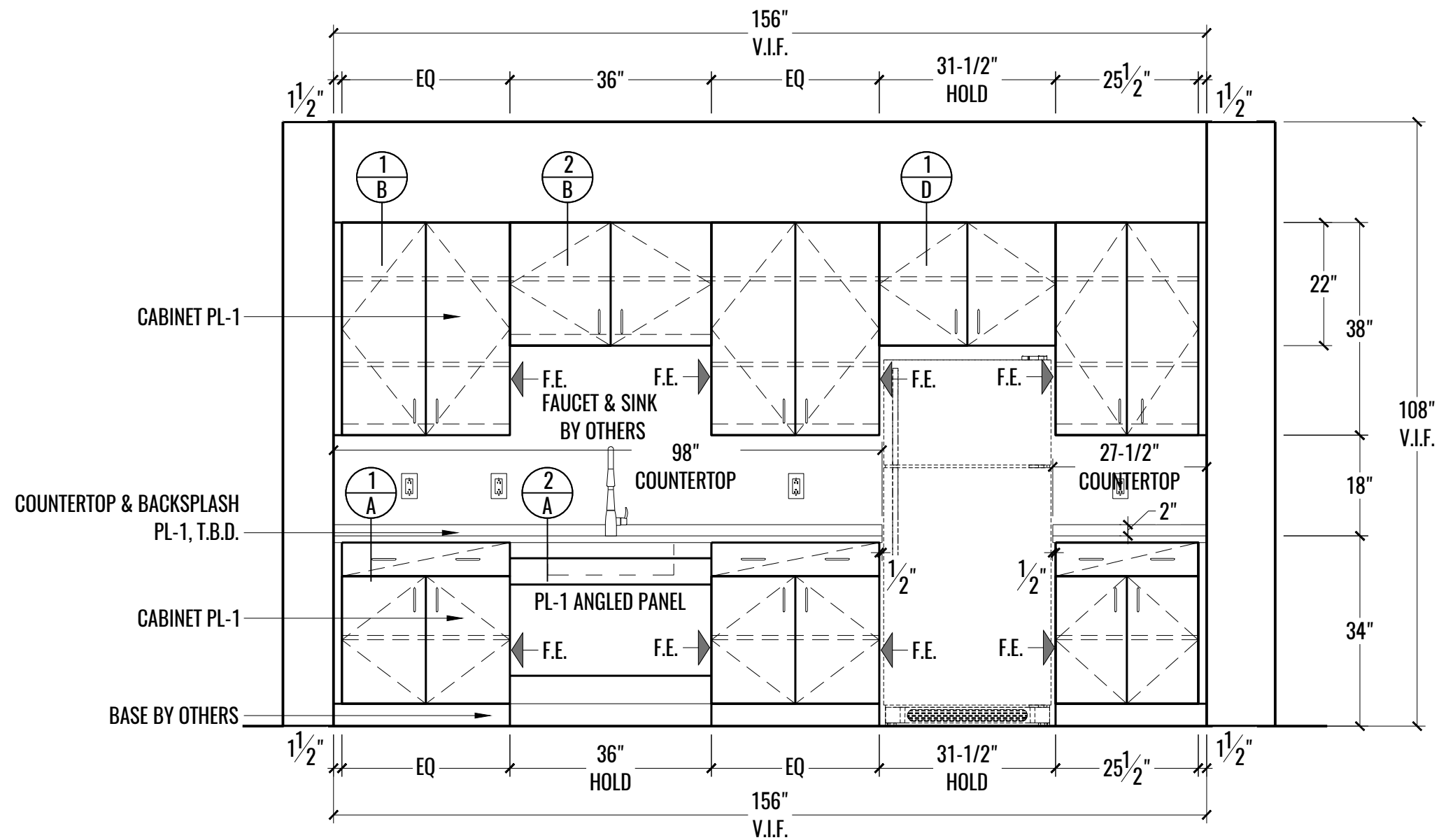
WINDOW TYPES

- W1 - FIBERGLASS AWNING (60"W X 48"H) - QTY - 6
- W1A - FIBERGLASS AWNING W/TEMPERED GLASS (60"W X 48"H) - QTY - 2
- W2A - FIBERGLASS WINDOW WALL FIXED (120"W X 48"H) - QTY - 1
- W3 - FIBERGLASS CASEMENT (36"W X 72"H) - QTY - 4

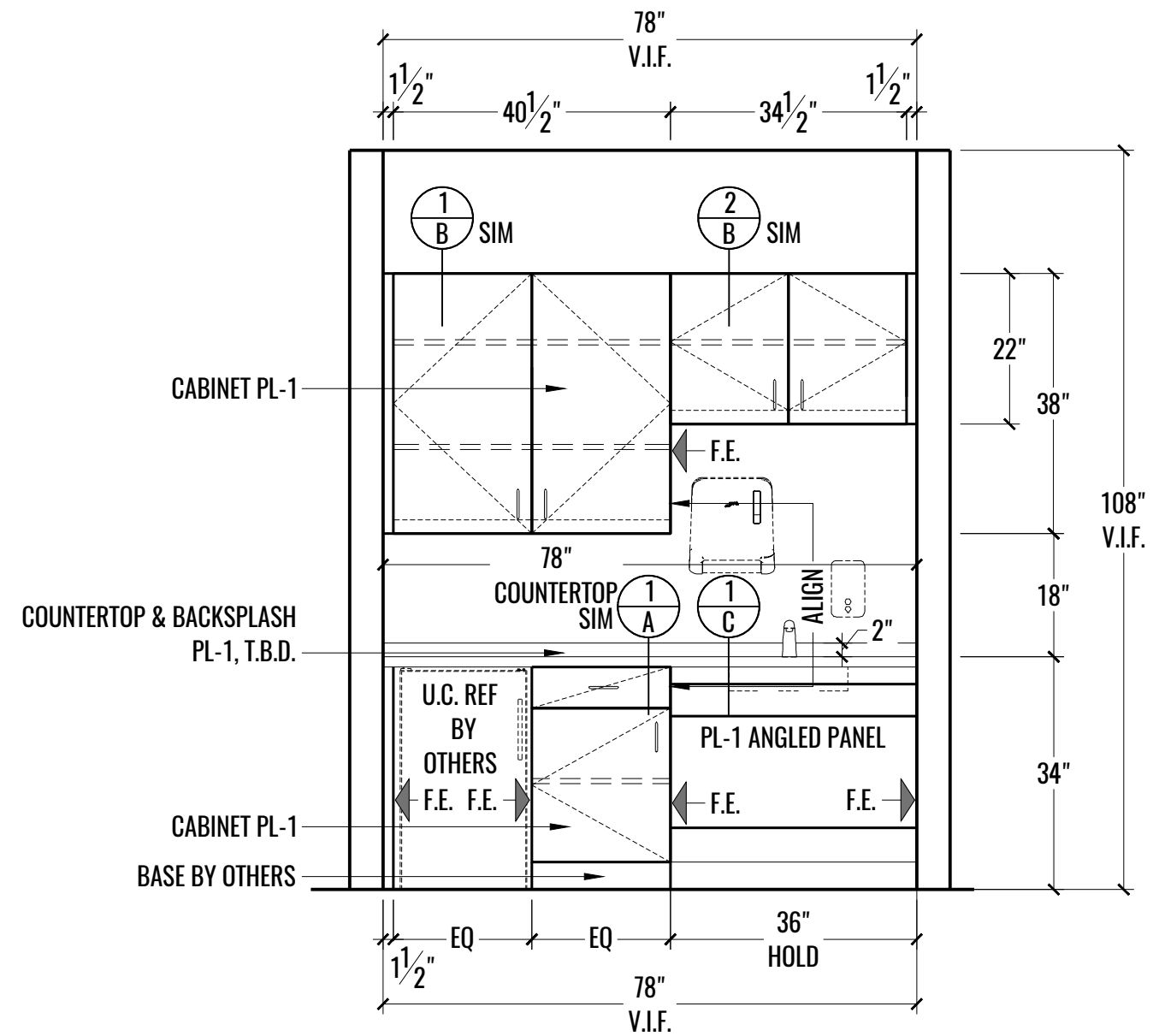
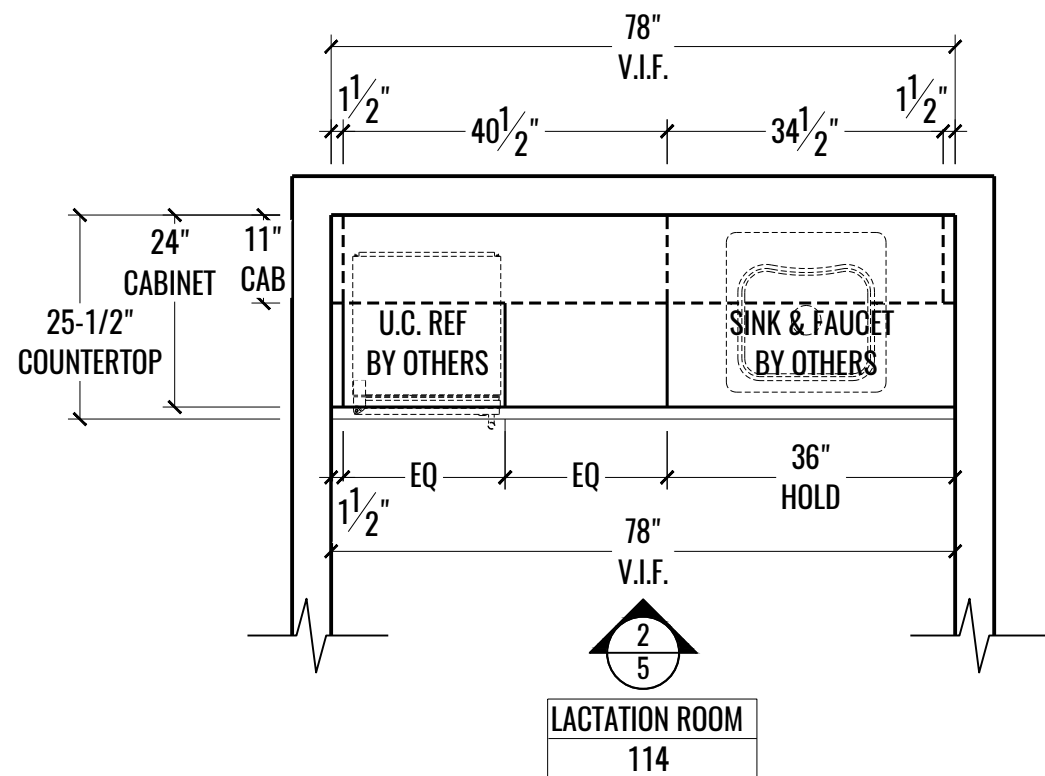
1 PLAN: PROJECT SCOPE - WINDOW SILL DETAIL
 2 SCALE: NOT TO SCALE



1 PLAN: KITCHENETTE RM# 109
3 SCALE: 1/2" = 1'-0"

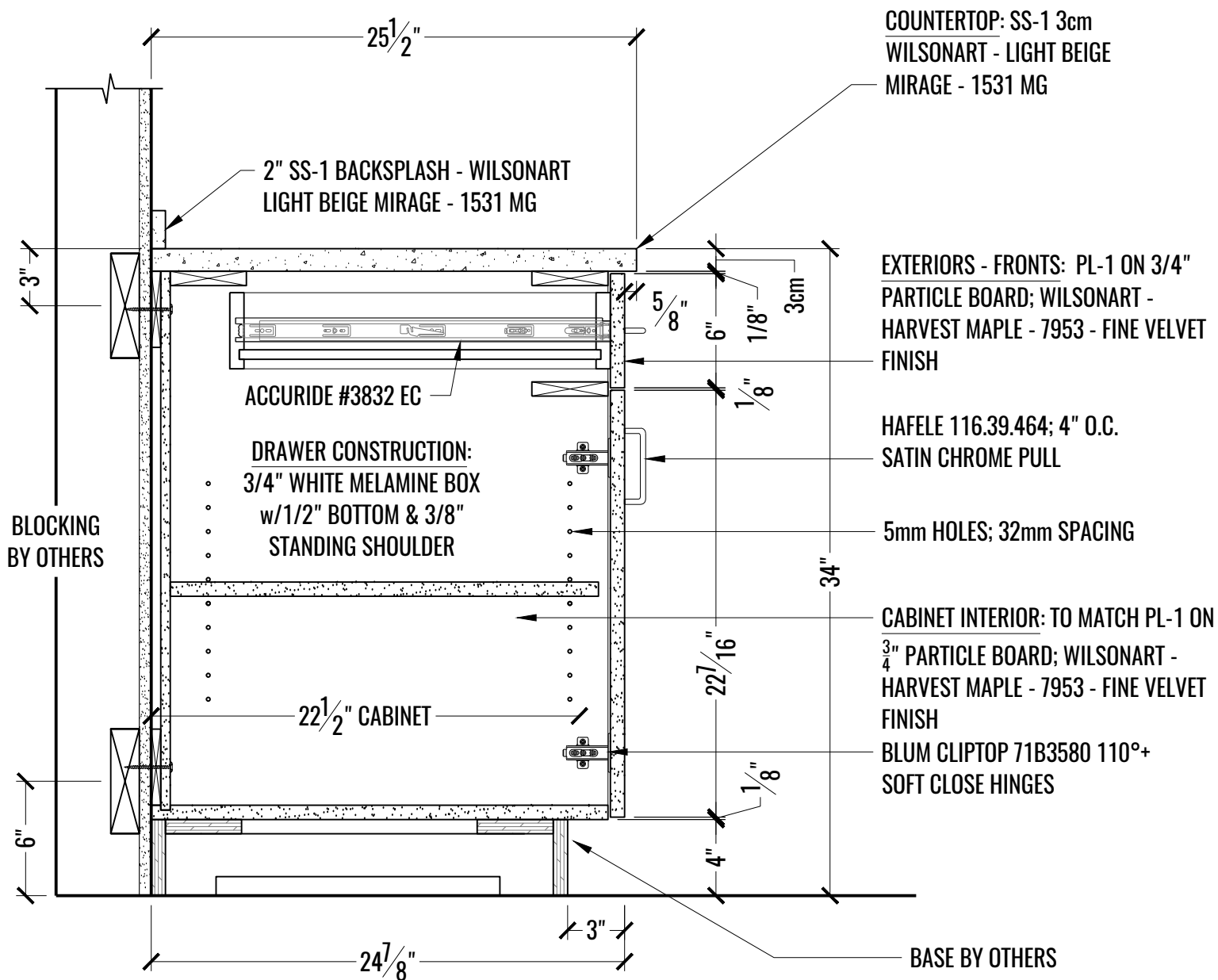


1 ELEVATION: KITCHENETTE RM# 109
 4 SCALE: 1/2" = 1'-0"

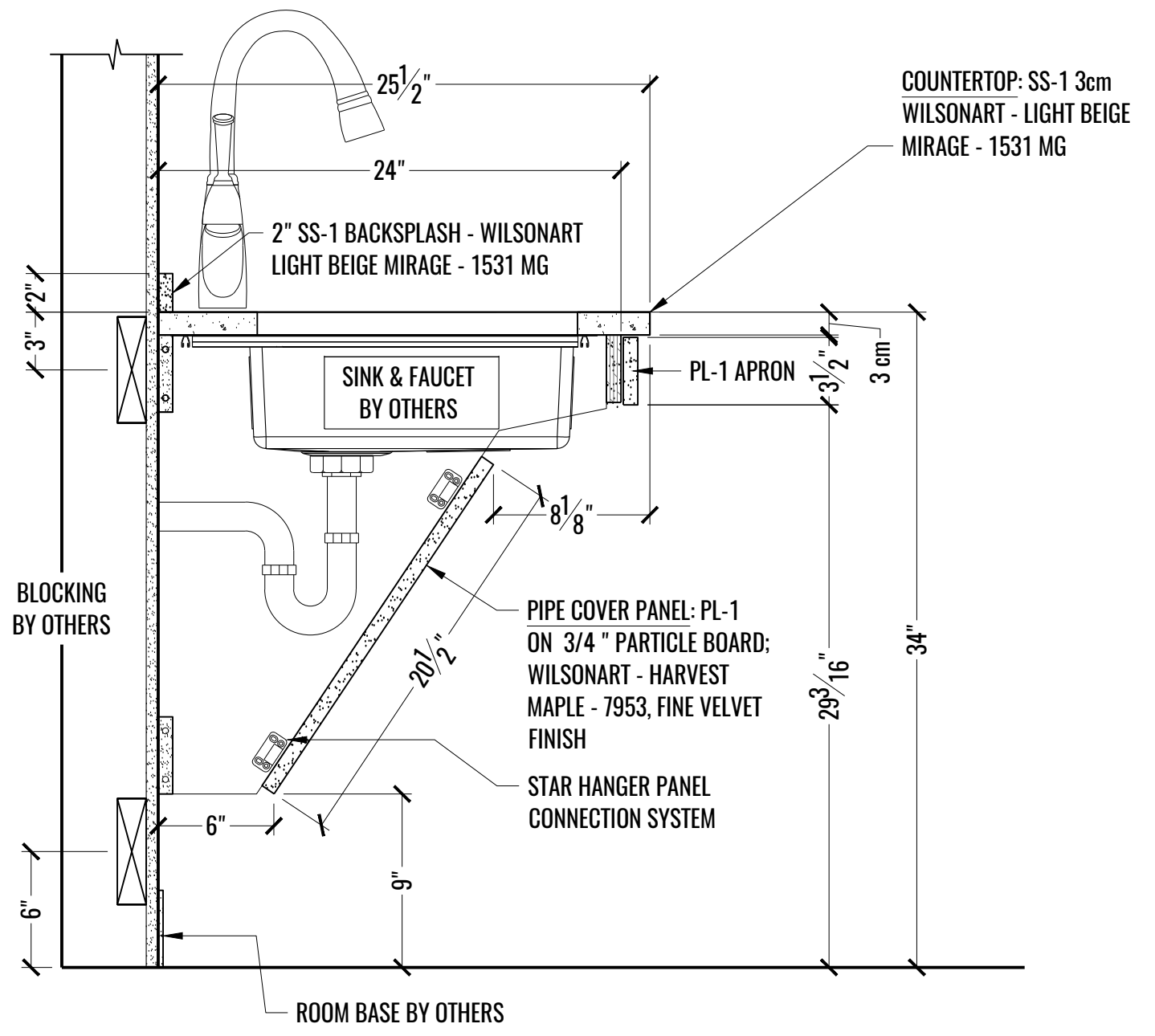


1 PLAN: LACTATION ROOM # 114
5 SCALE: 1/2" = 1'-0"

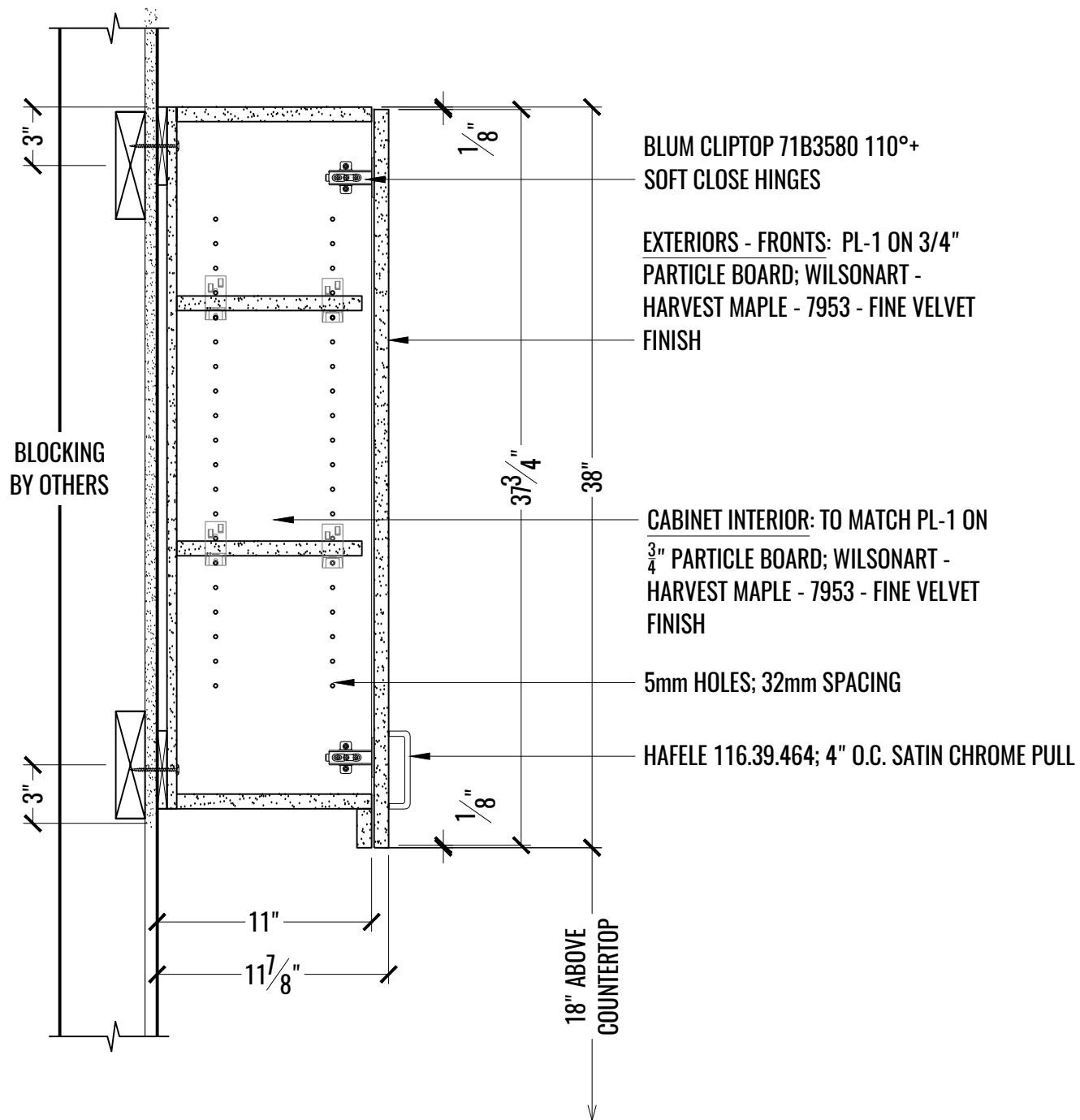
2 ELEVATION: LACTATION ROOM #114
5 SCALE: 1/2" = 1'-0"



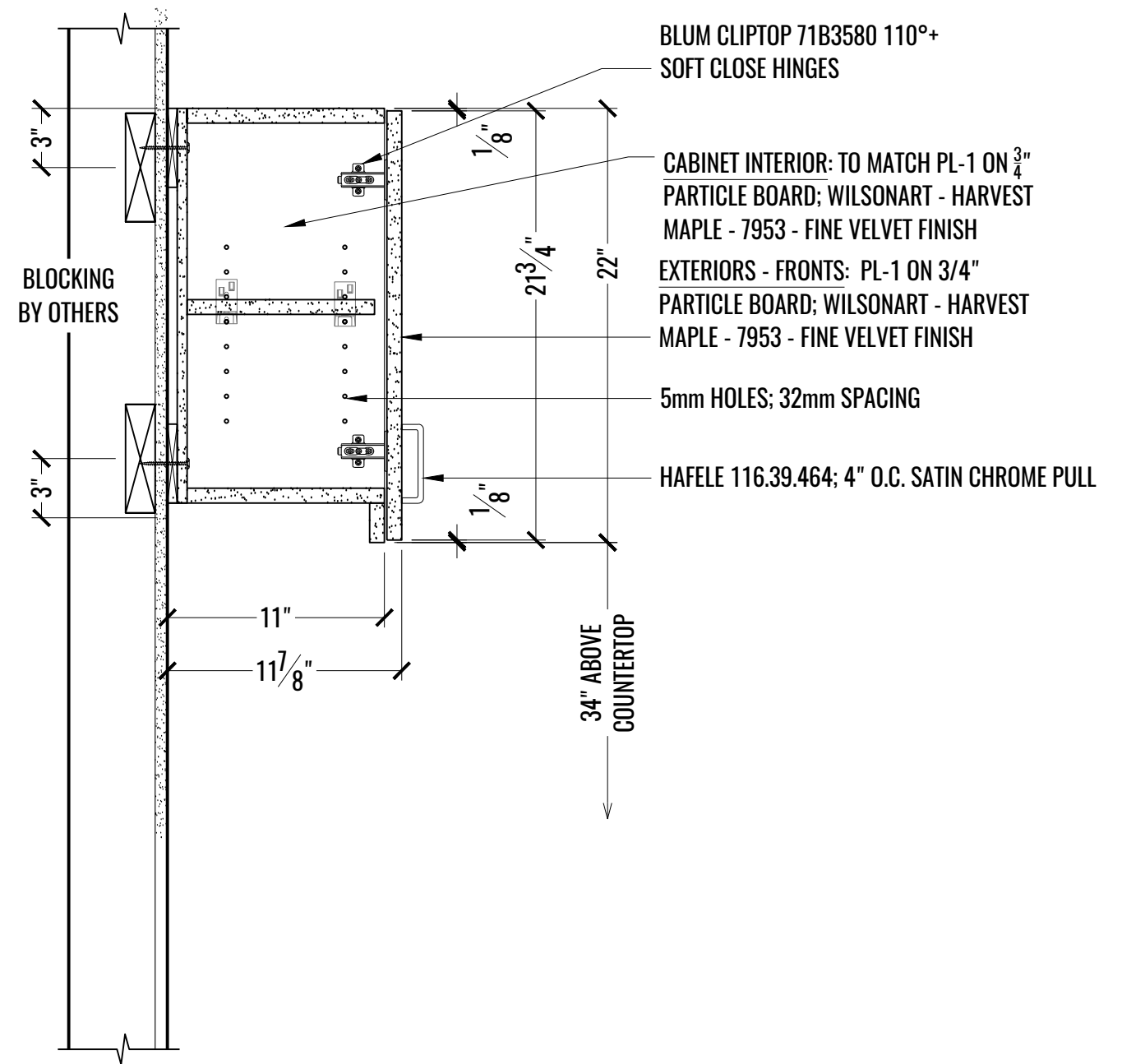
1 SECTION: BASE CABINET & DRAWER
A SCALE: 1-1/2" = 1'-0"



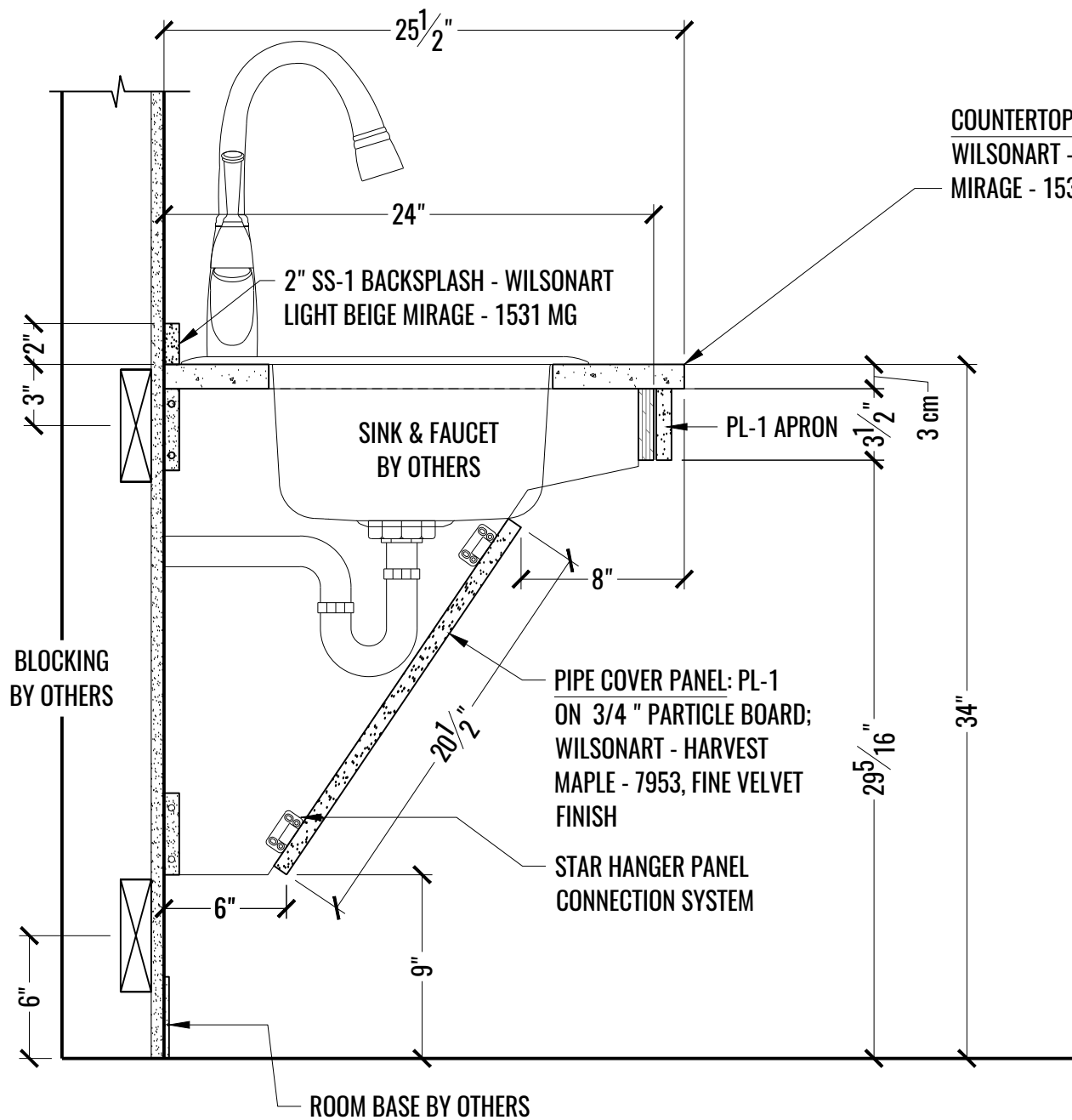
2 SECTION: SINK @ KITCHENETTE RM# 109
A SCALE: 1-1/2" = 1'-0"



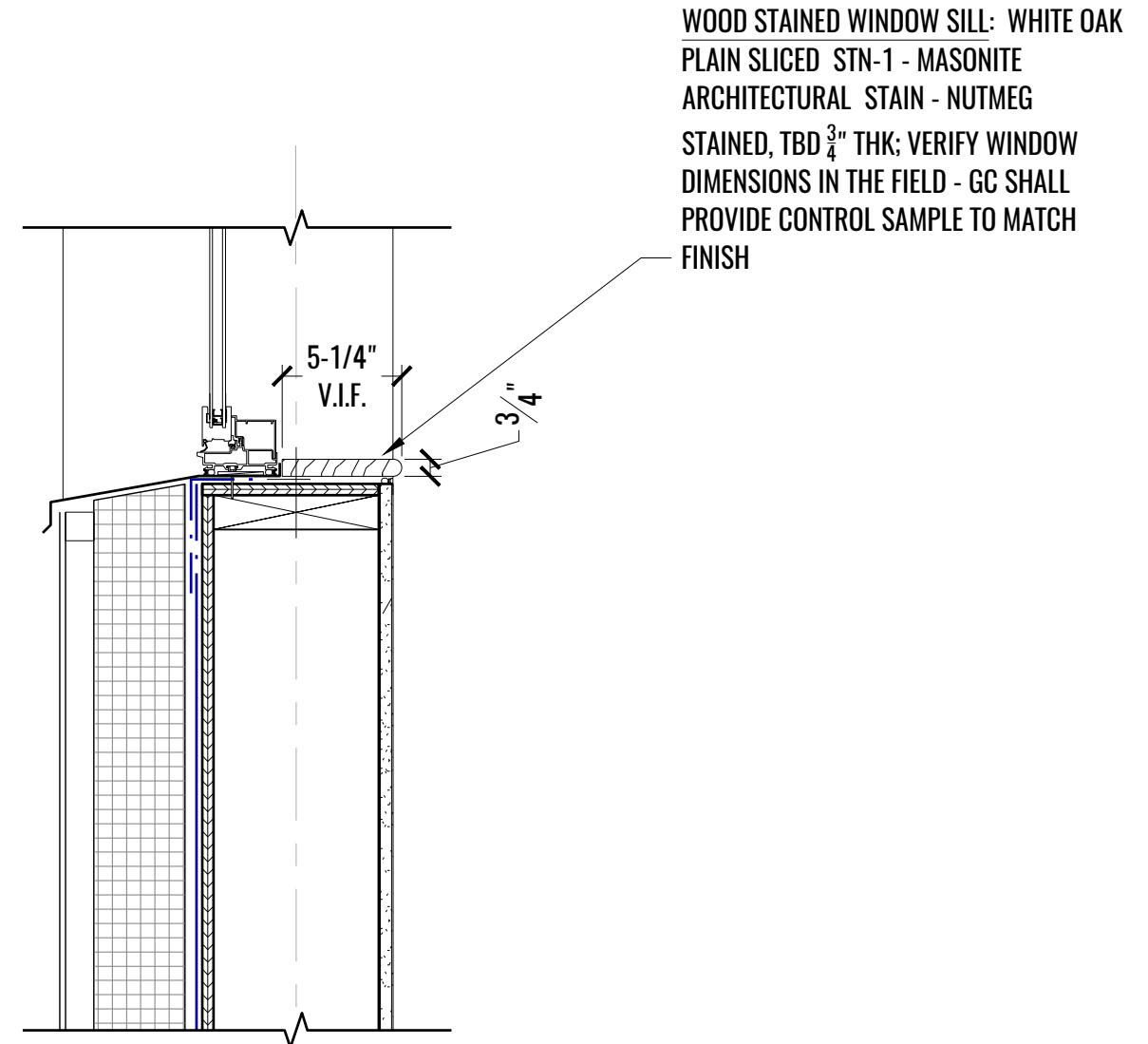
1 SECTION: CABINET UPPERS - 38"
B SCALE: 1-1/2" = 1'-0"



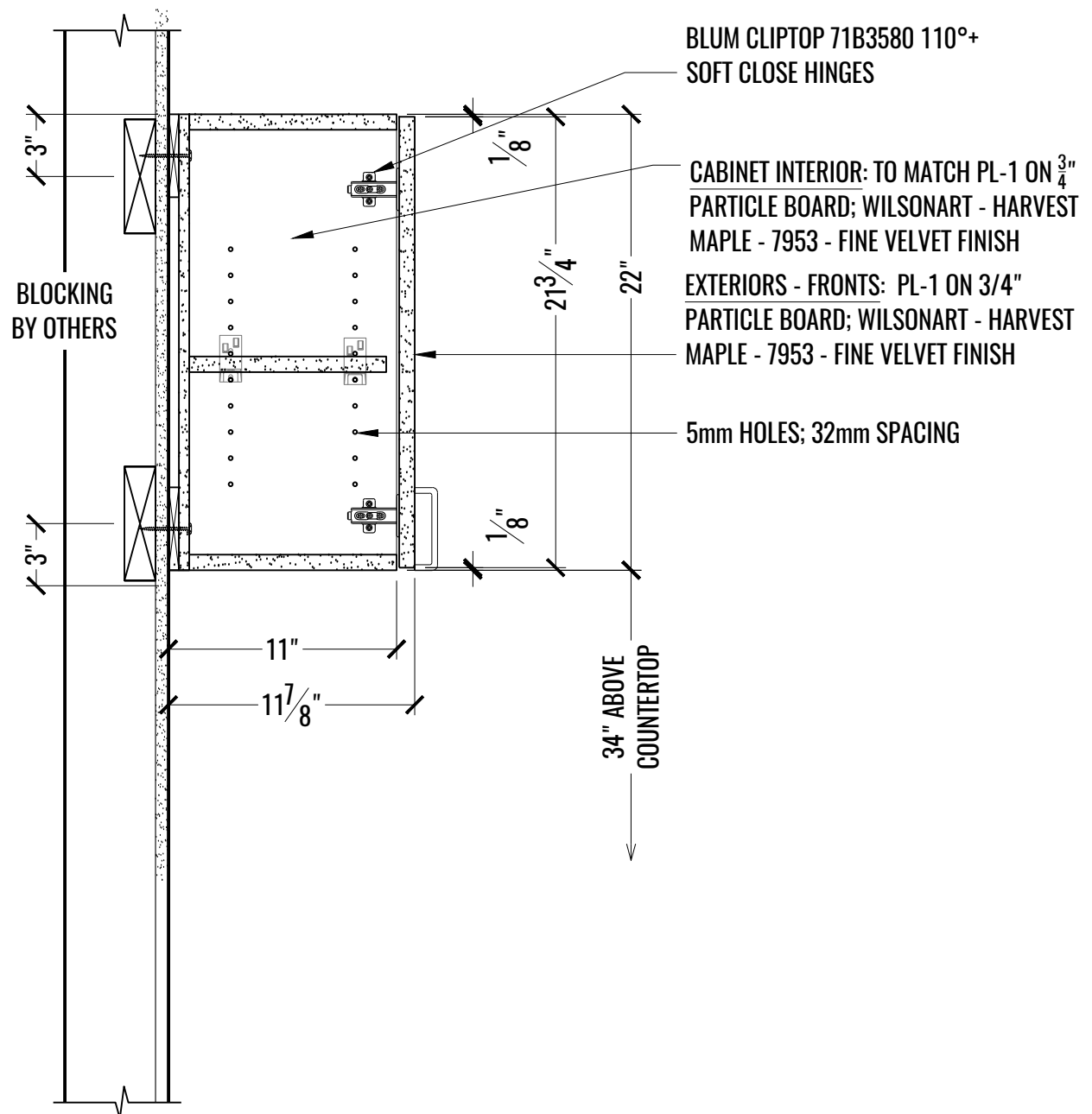
2 SECTION: CABINET UPPERS 22"
B SCALE: 1-1/2" = 1'-0"



1 SECTION: SINK @ LACTATION RM# 114
C SCALE: 1-1/2" = 1'-0"



2 SECTION: WOOD STAINED WINDOW SILL DETAIL
C SCALE: 1-1/2" = 1'-0"



1 SECTION: UPPER CABINET @ REFRIGERATOR - KITCHENETTE RM# 109
 D SCALE: 1-1/2" = 1'-0"