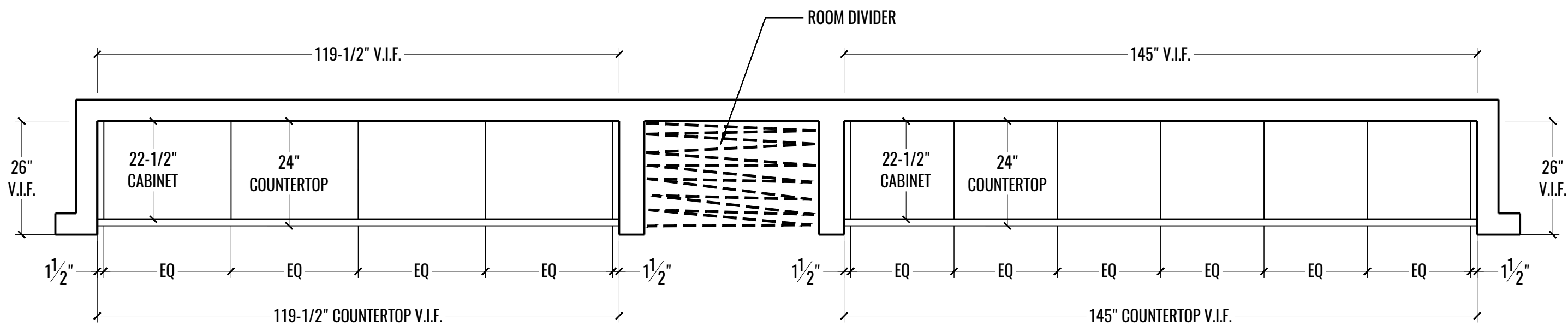


MW3

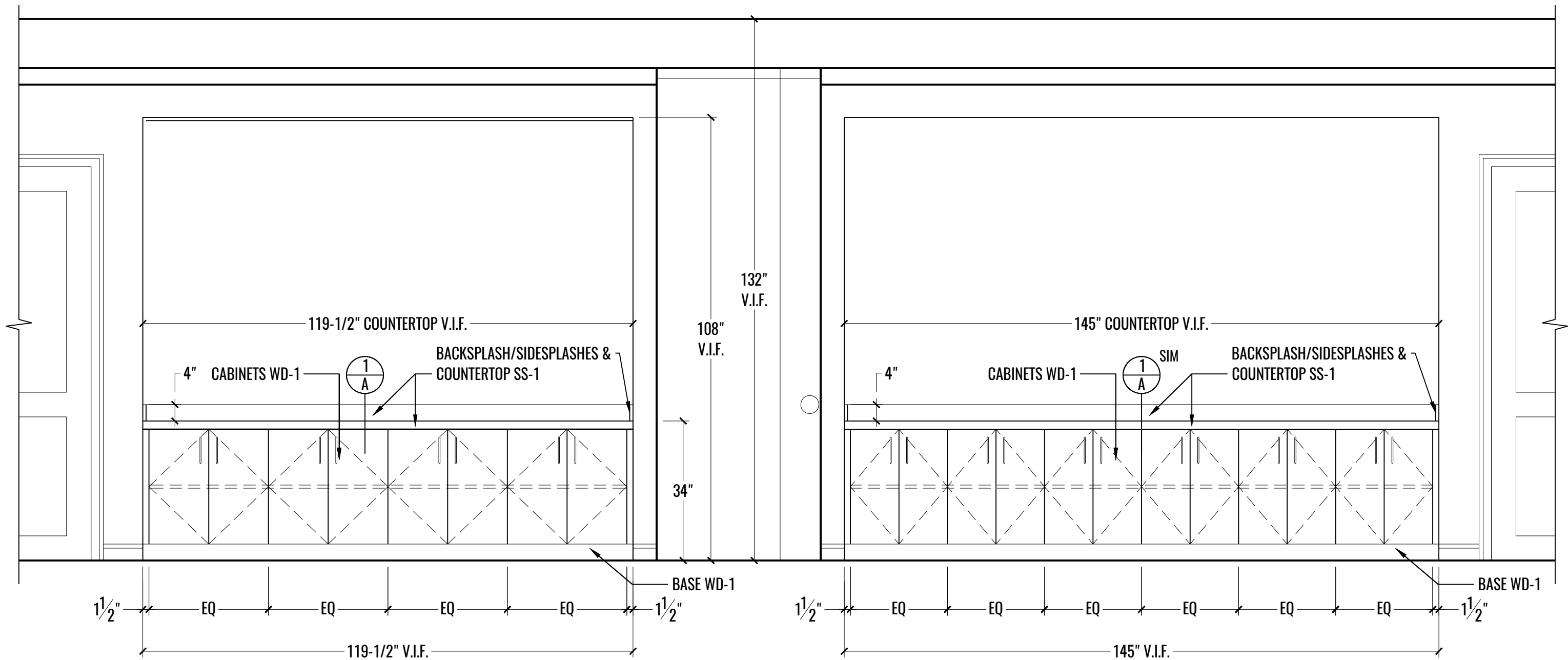
MEETING ROOM

1 PLAN: PROJECT SCOPE  
1 SCALE: NOT TO SCALE

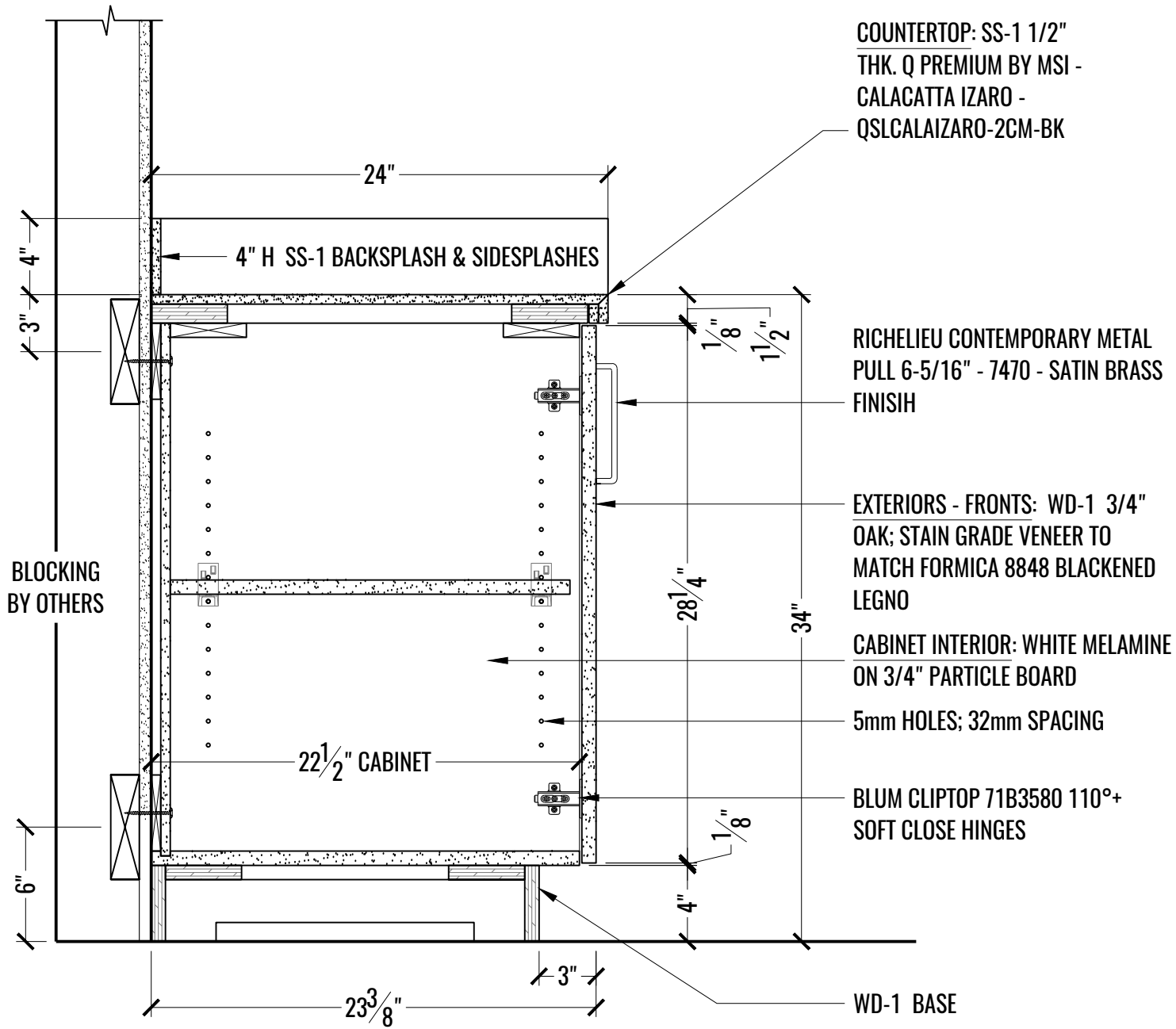
DRAWING NUMBER  
MW1



1 PLAN: MEETING ROOM  
2 SCALE: 1/2" = 1'-0"



1 ELEVATION: MEETING ROOM  
 3 SCALE: 1/2" = 1'-0"



COUNTERTOP: SS-1 1/2" THK. Q PREMIUM BY MSI - CALACATTA IZARO - QSLCALAIZARO-2CM-BK

RICHIEU CONTEMPORARY METAL PULL 6-5/16" - 7470 - SATIN BRASS FINISH

EXTERIORS - FRONTS: WD-1 3/4" OAK; STAIN GRADE VENEER TO MATCH FORMICA 8848 BLACKENED LEGNO

CABINET INTERIOR: WHITE MELAMINE ON 3/4" PARTICLE BOARD

5mm HOLES; 32mm SPACING

BLUM CLIPTOP 71B3580 110°+ SOFT CLOSE HINGES

WD-1 BASE

1 SECTION: BASE CABINET @ MEETING ROOM  
A SCALE: 1-1/2" = 1'-0"