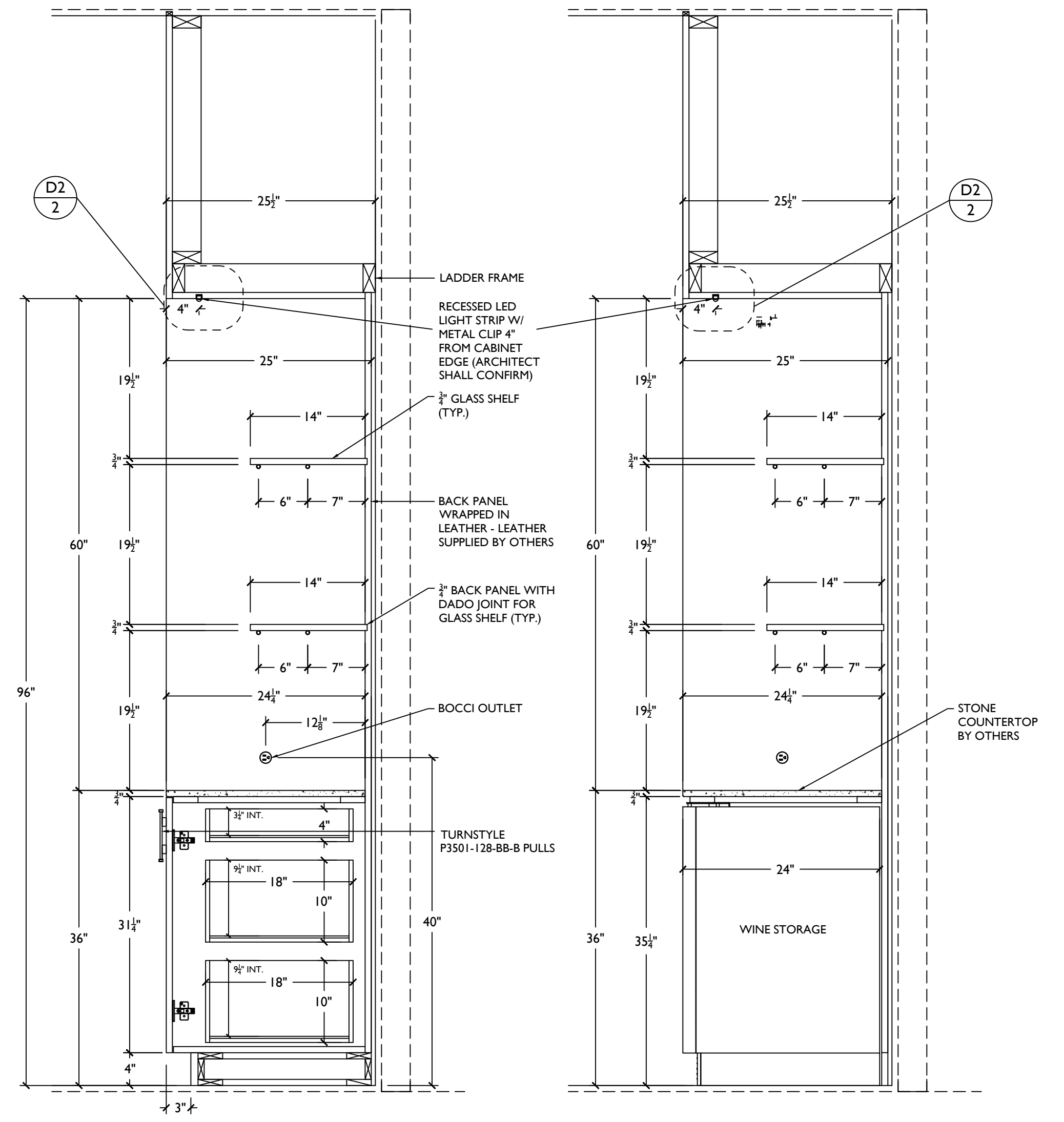


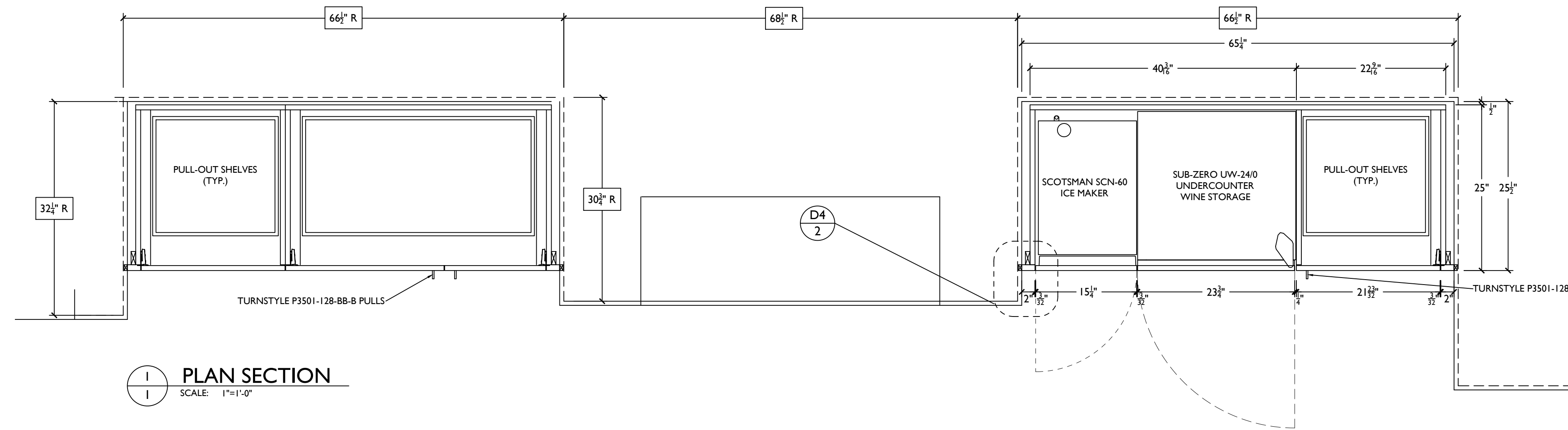
ELEVATION
SCALE: 1"=1'-0" ARCH REF: 1/AS.12

FINISHES:
EXTERIORS: STAINED RIFT OAK
INTERIORS (THROUGHOUT): STAINED RIFT OAK

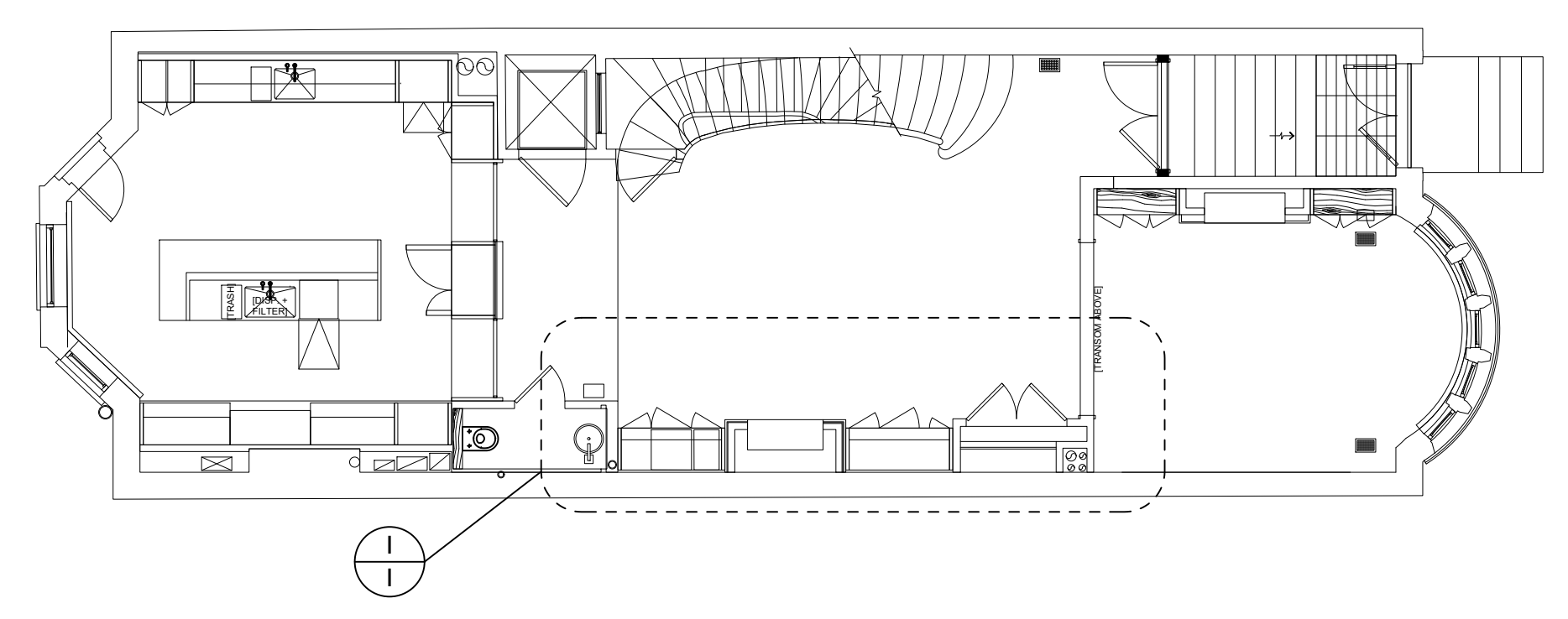


CABINETRY SECTION 2
SCALE: 1"=1'-0"

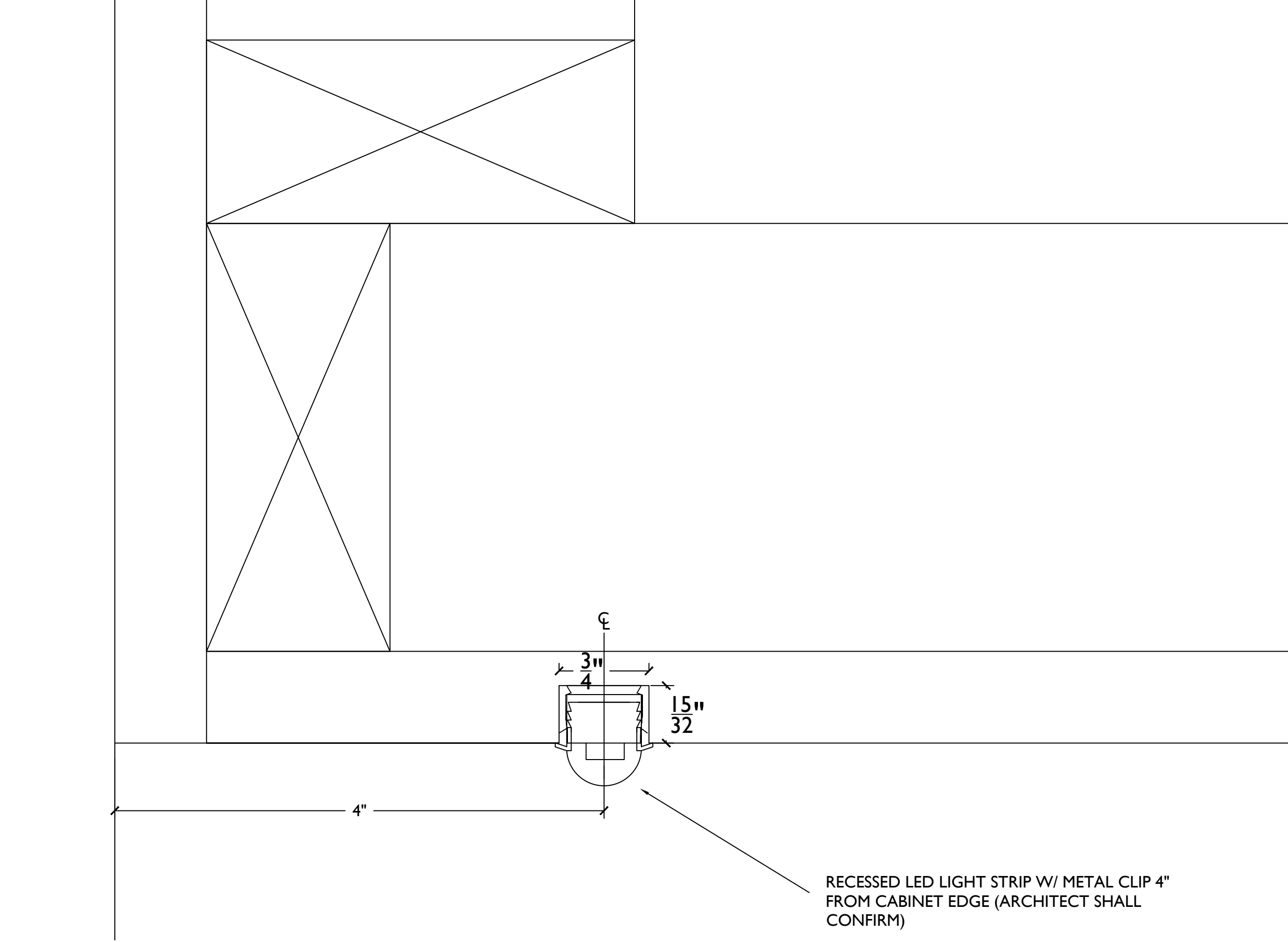
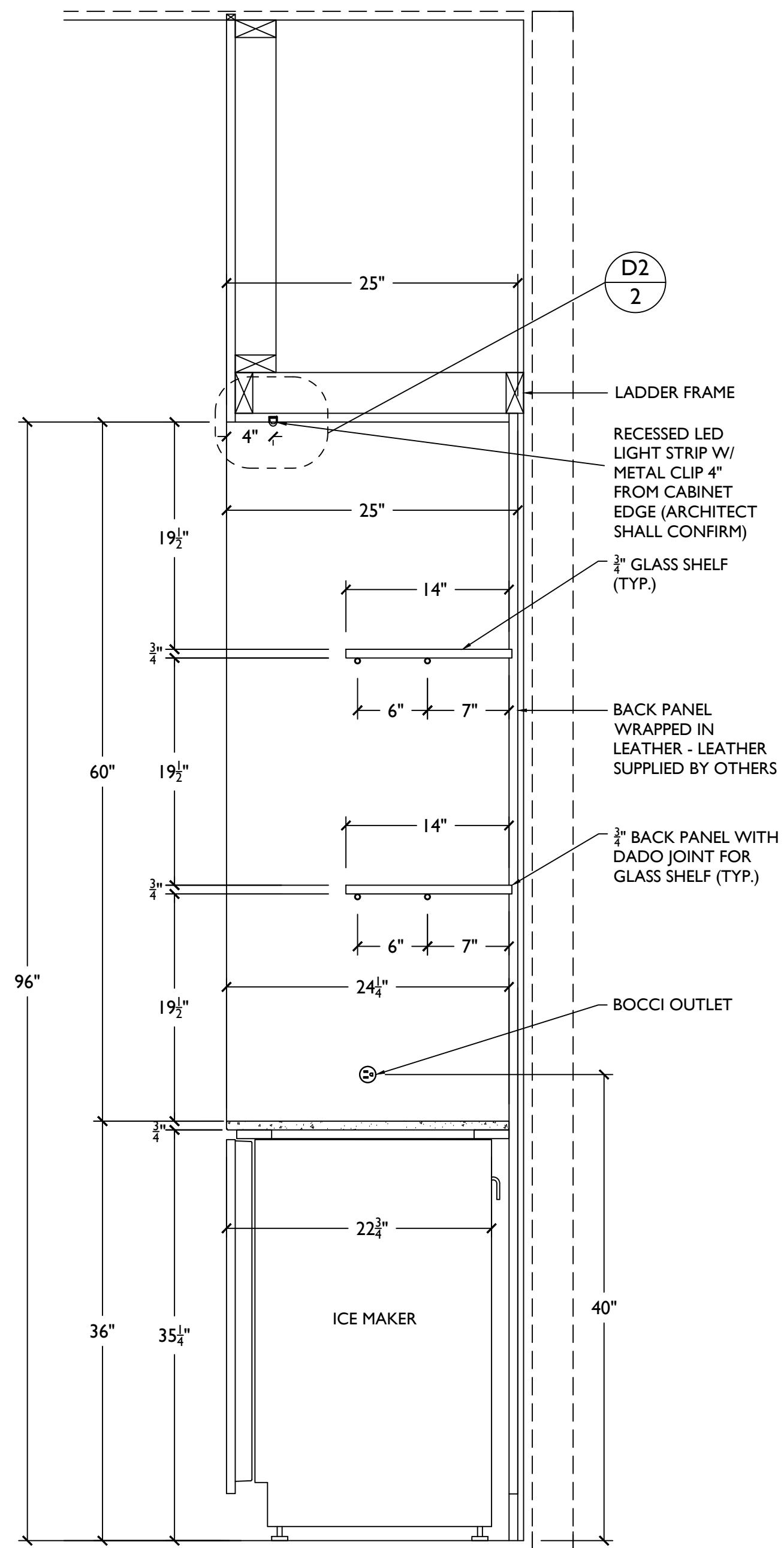
CABINETRY SECTION 3
SCALE: 1"=1'-0"



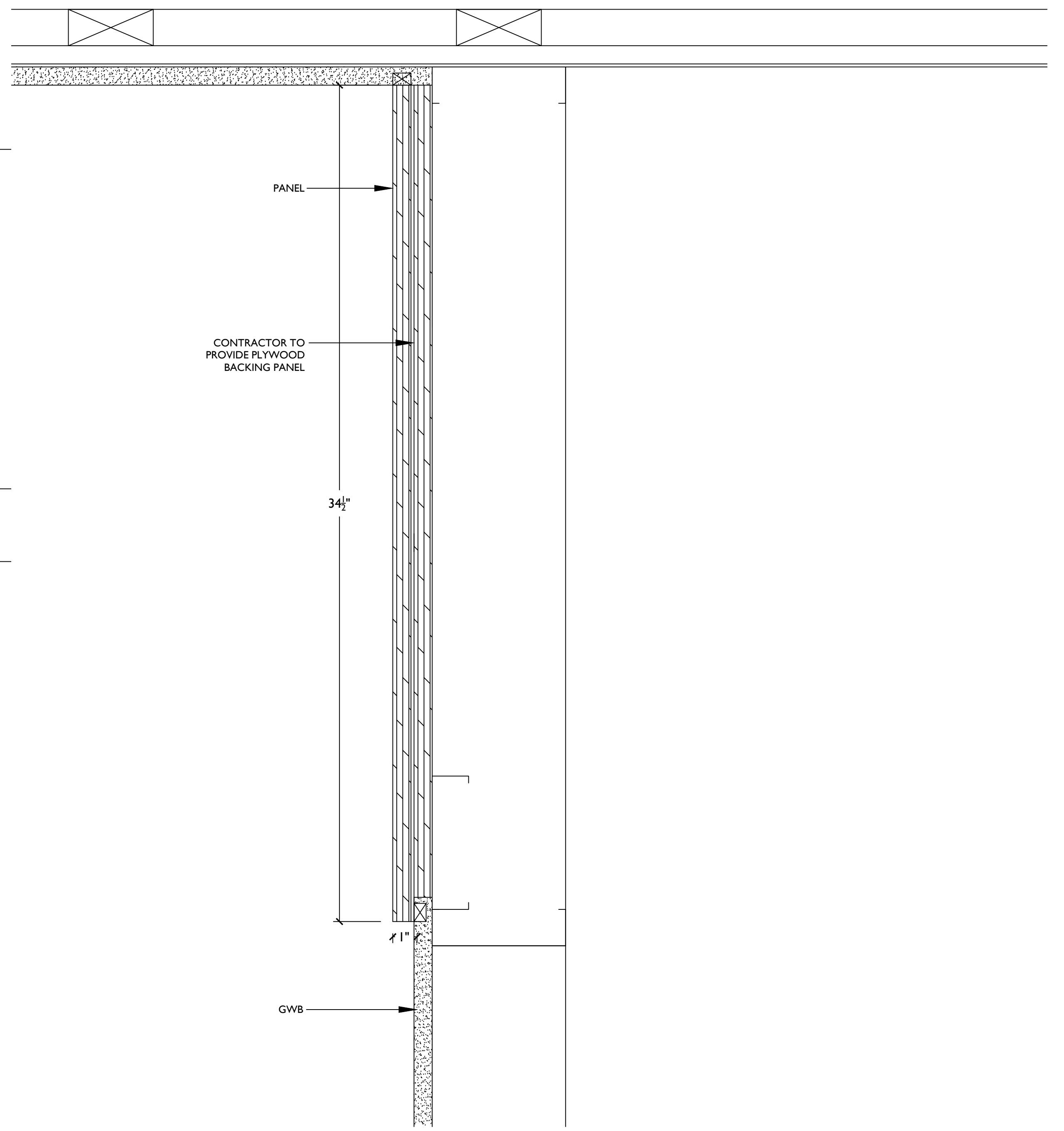
PLAN SECTION
SCALE: 1"=1'-0"



FIRST FLOOR KEY PLAN
SCALE: 1/8"=1'-0"

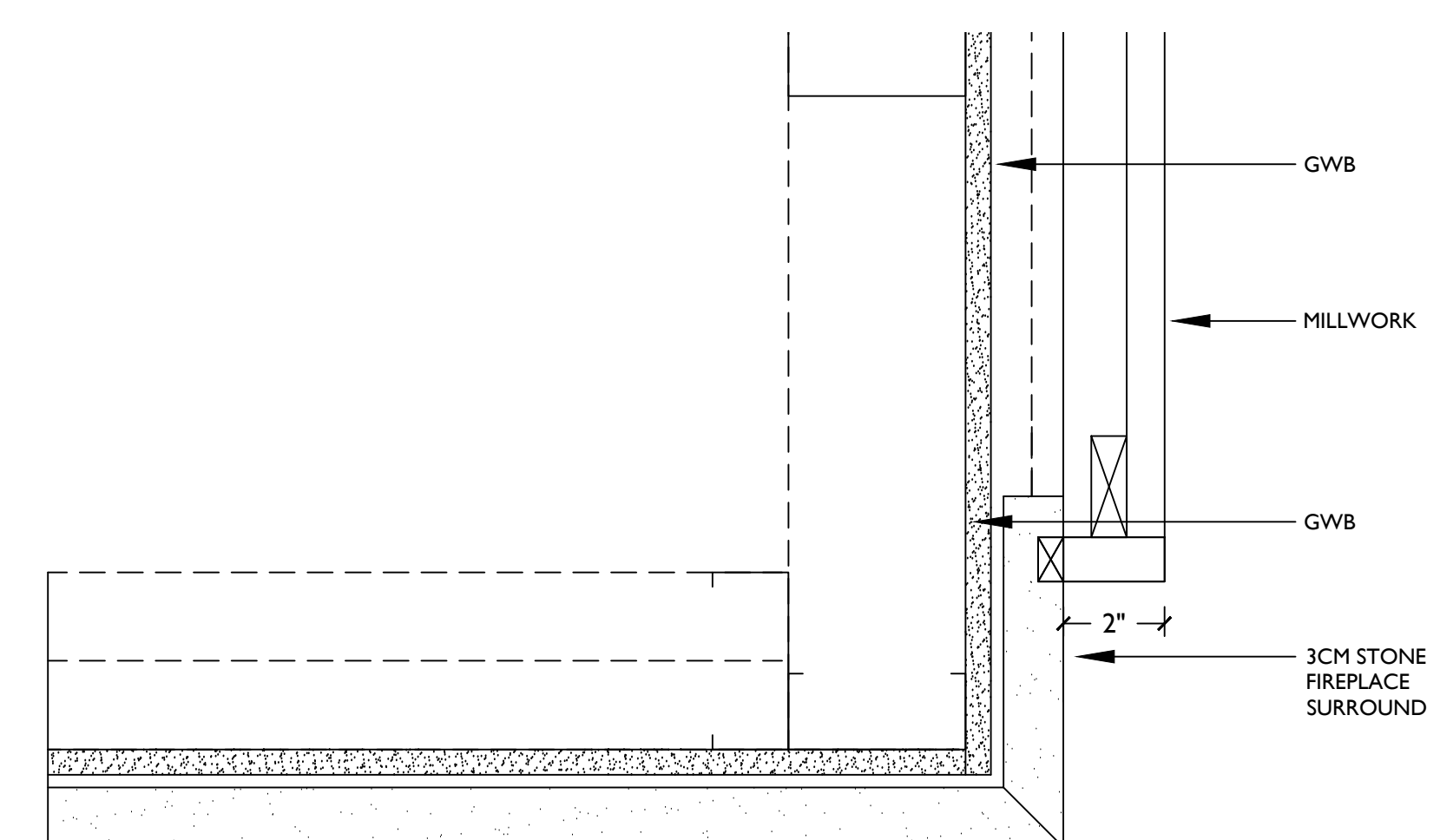


2
 2
RECESSED LED STRIP AT TOP CABINET
 SCALE: FULL



3
 2
PANEL DETAIL
 SCALE: 3" = 1'-0"

1
 2
CABINERY SECTION
 SCALE: 1" = 1'-0"



4
 2
FIREPLACE DETAIL
 SCALE: 3" = 1'-0"