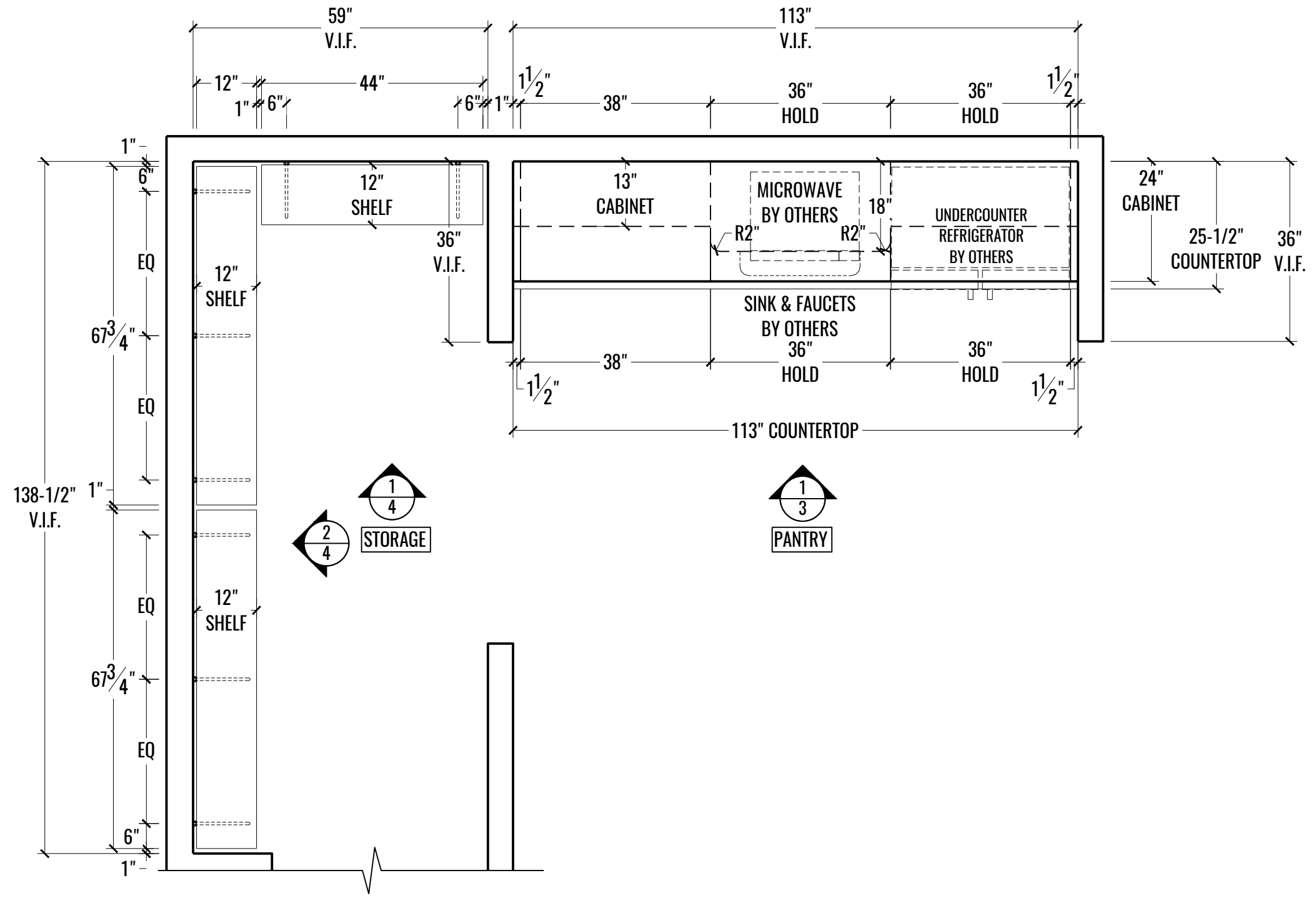
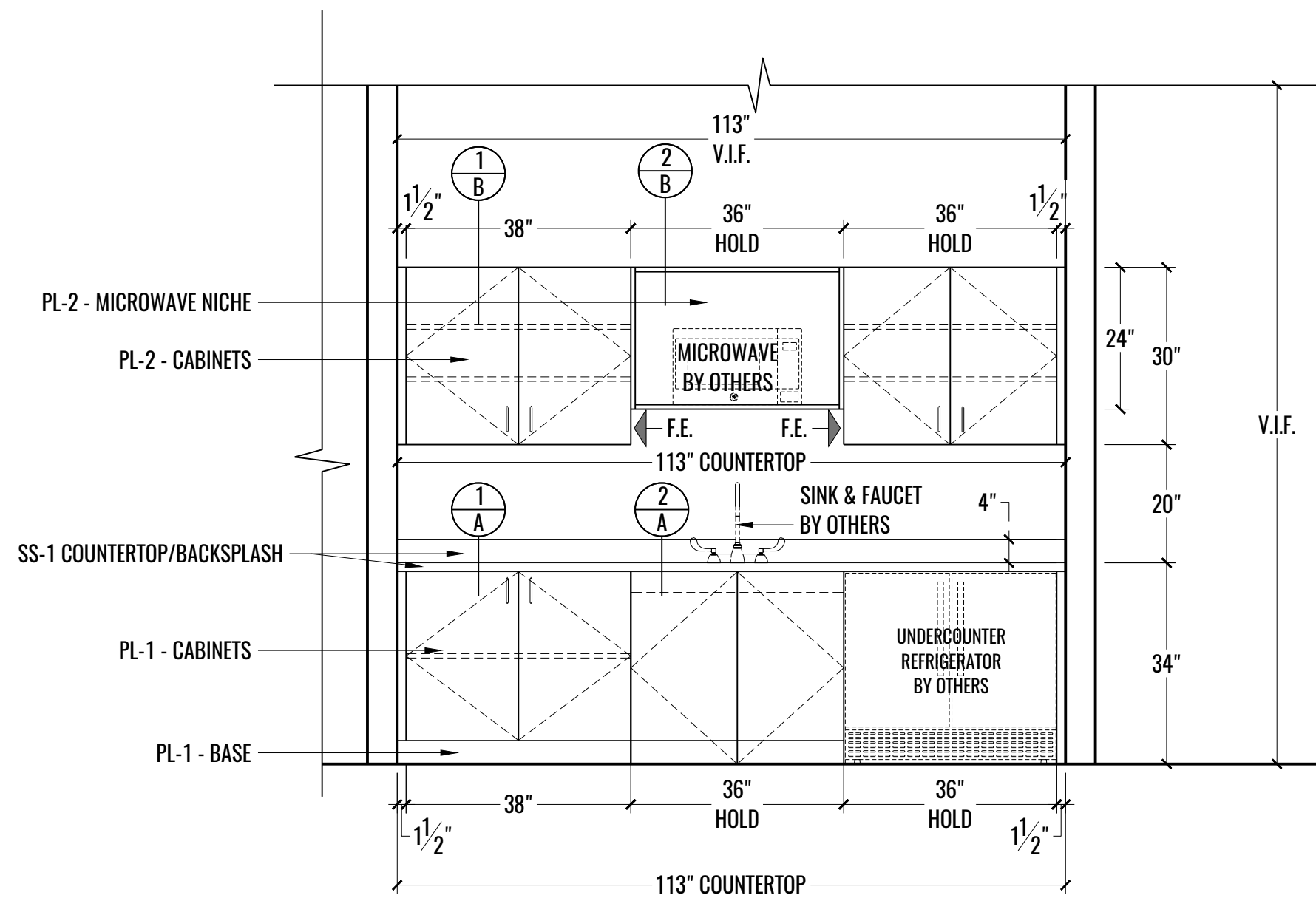


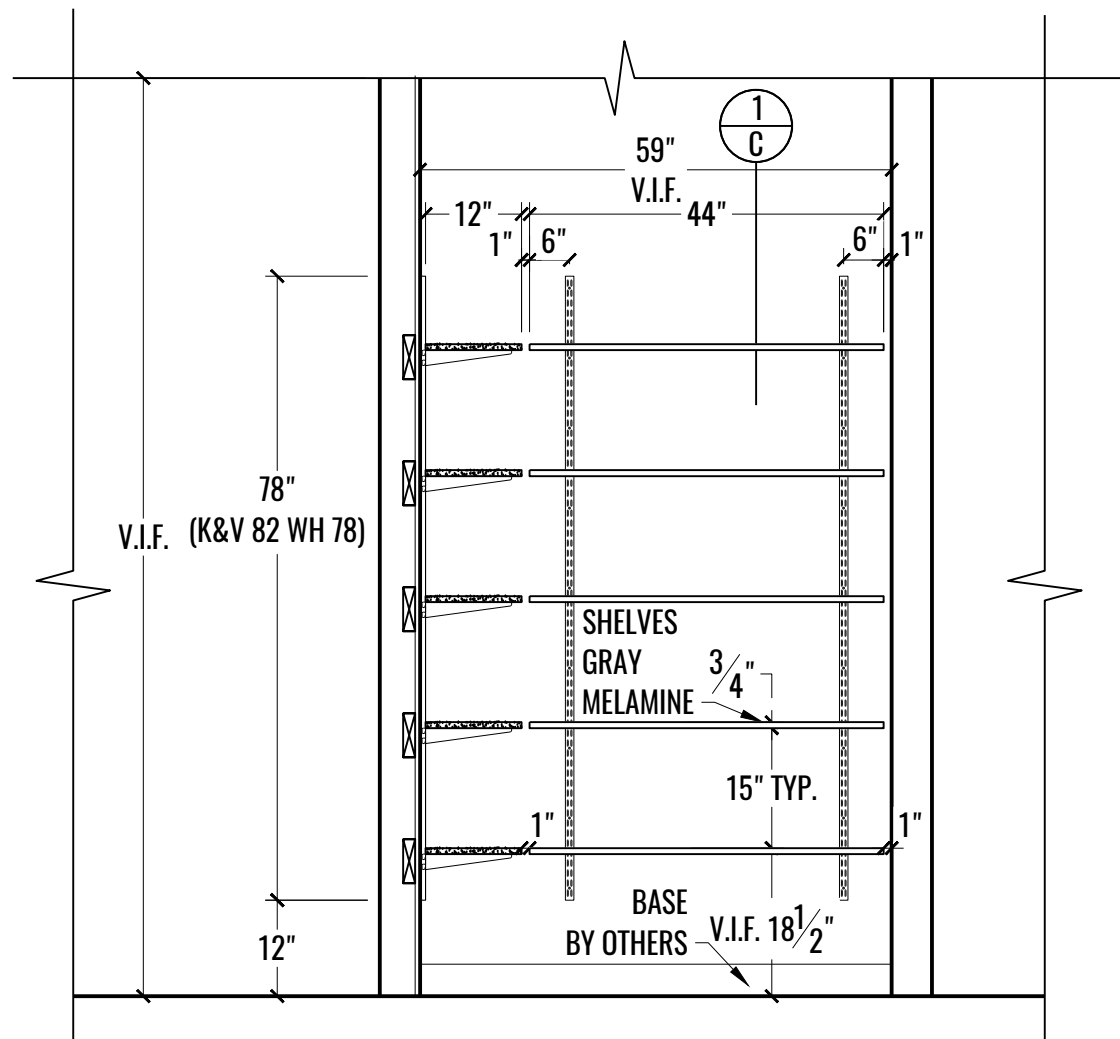
1 PLAN: PROJECT SCOPE
1 SCALE: NOT TO SCALE



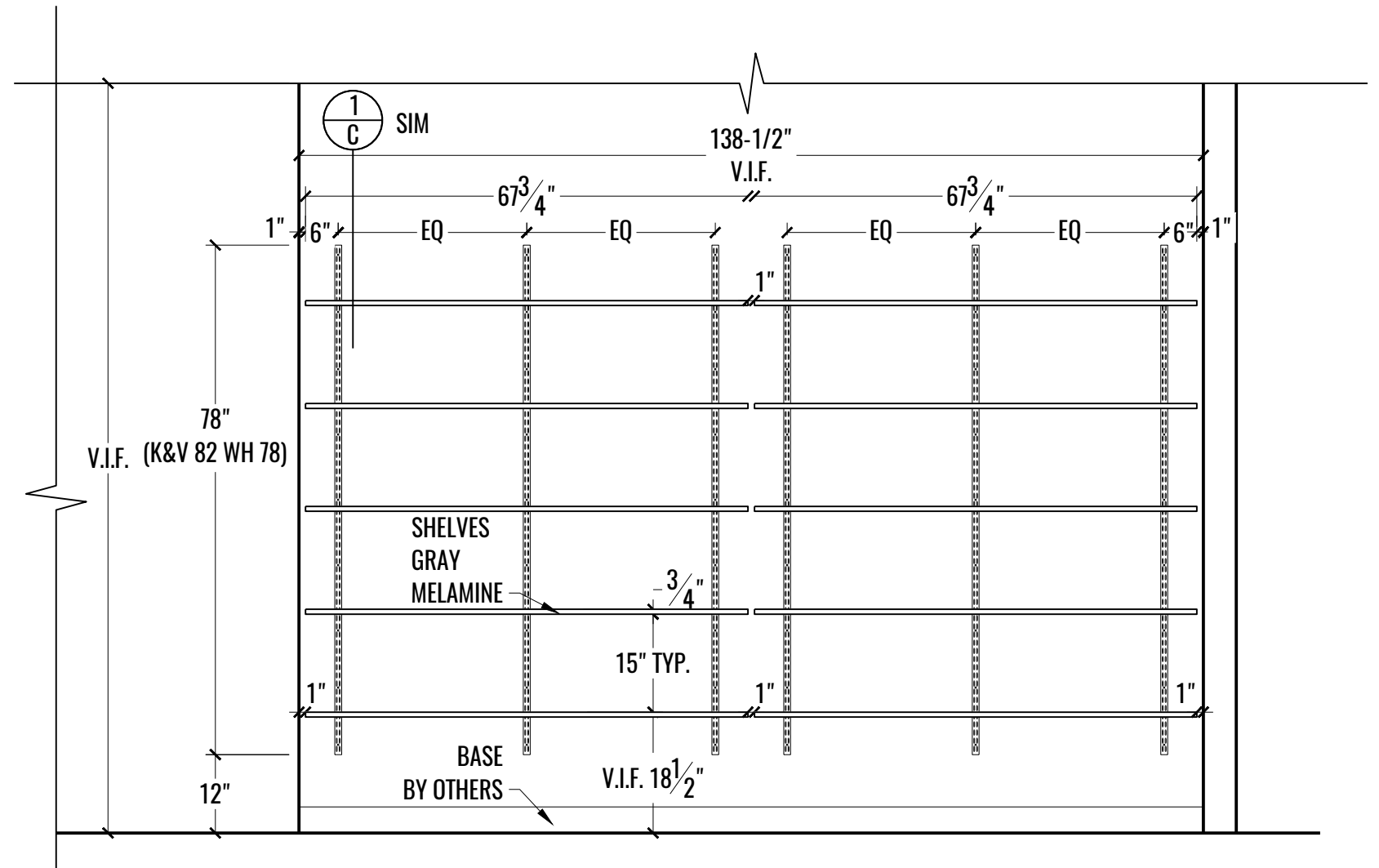
1 PLAN: STORAGE/PANTRY
 2 SCALE: 1/2" = 1'-0"



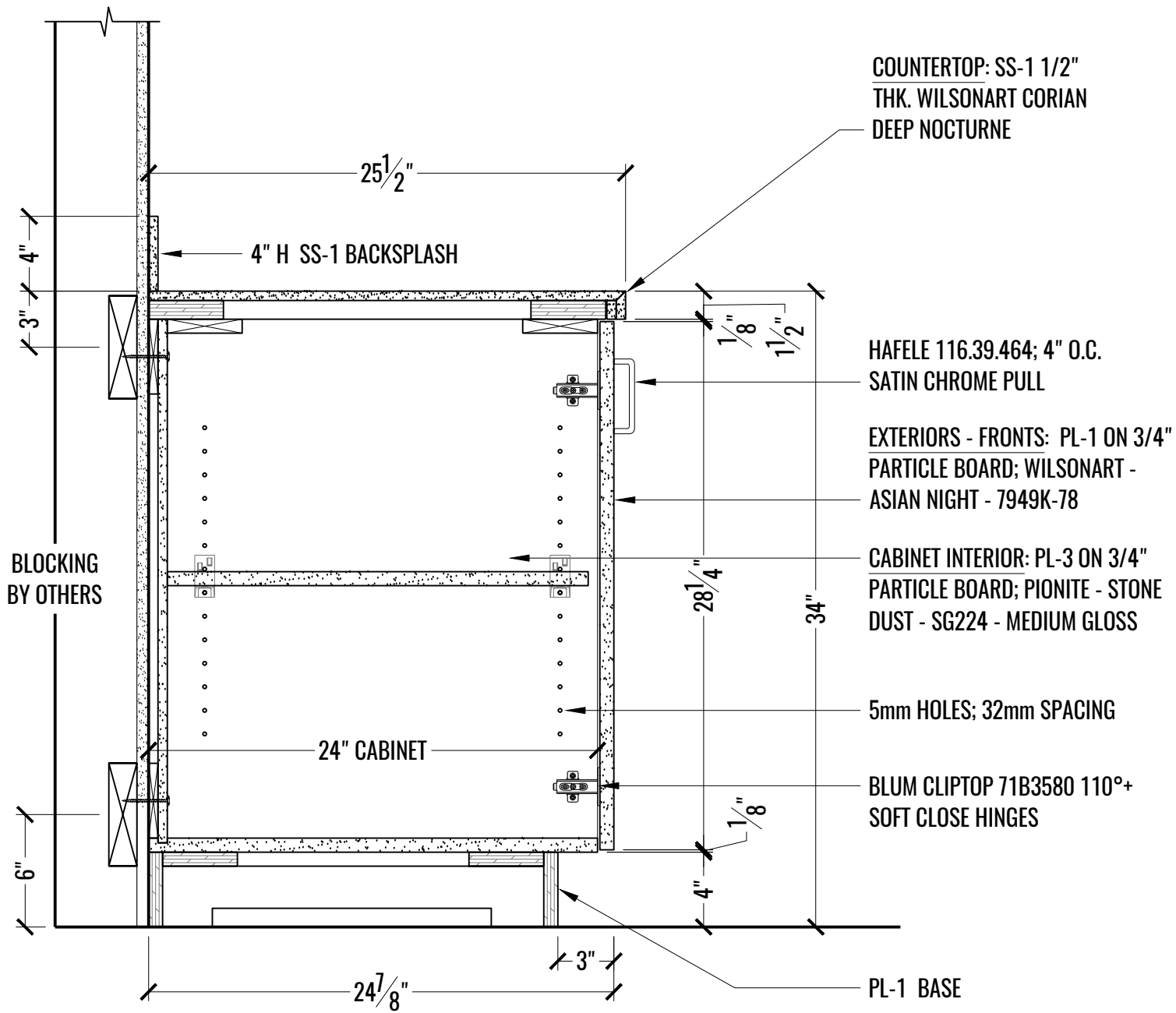
1
3 ELEVATION: PANTRY
SCALE: 1/2" = 1'-0"



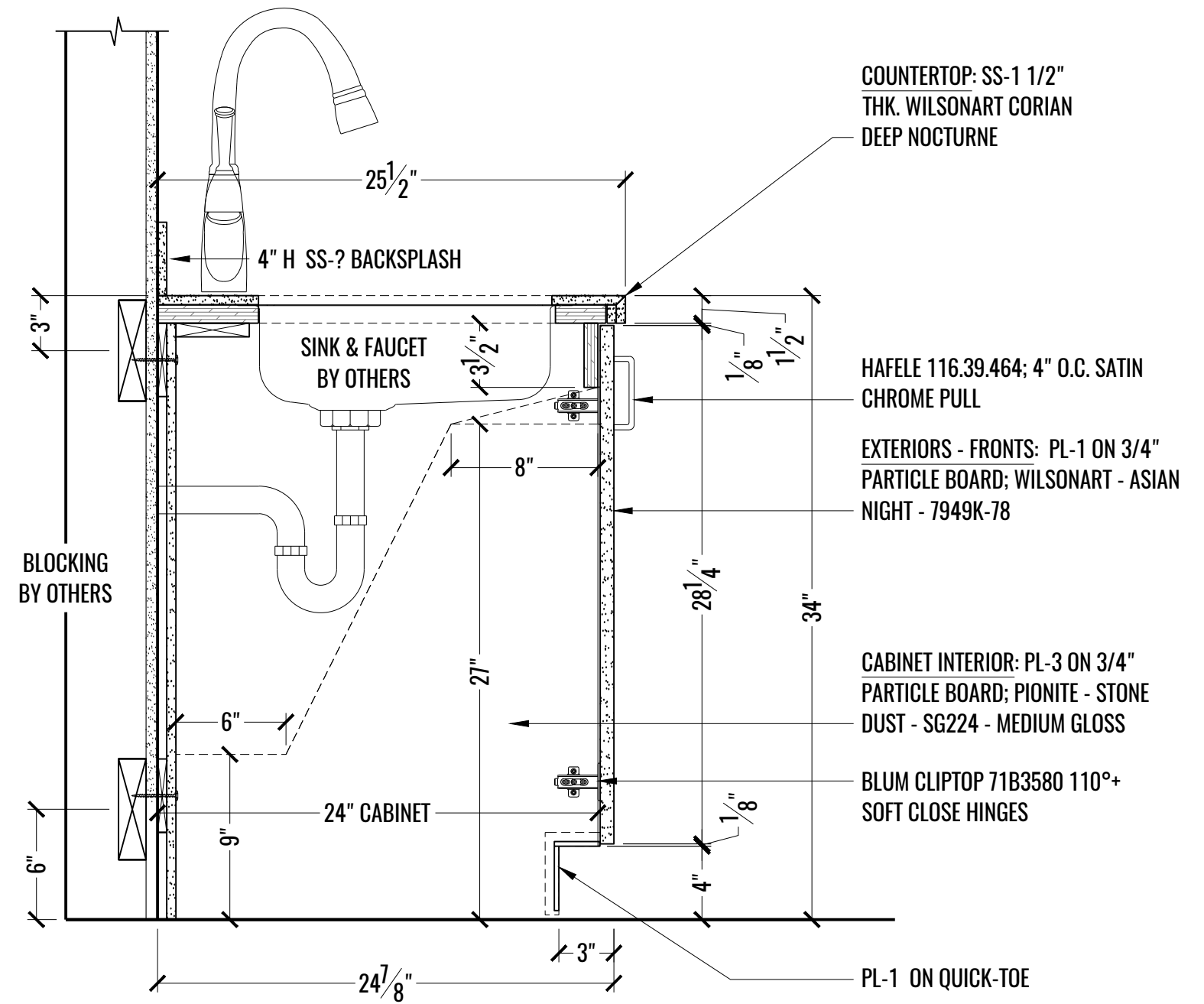
1 ELEVATION: STORAGE
 4 SCALE: 1/2" = 1'-0"



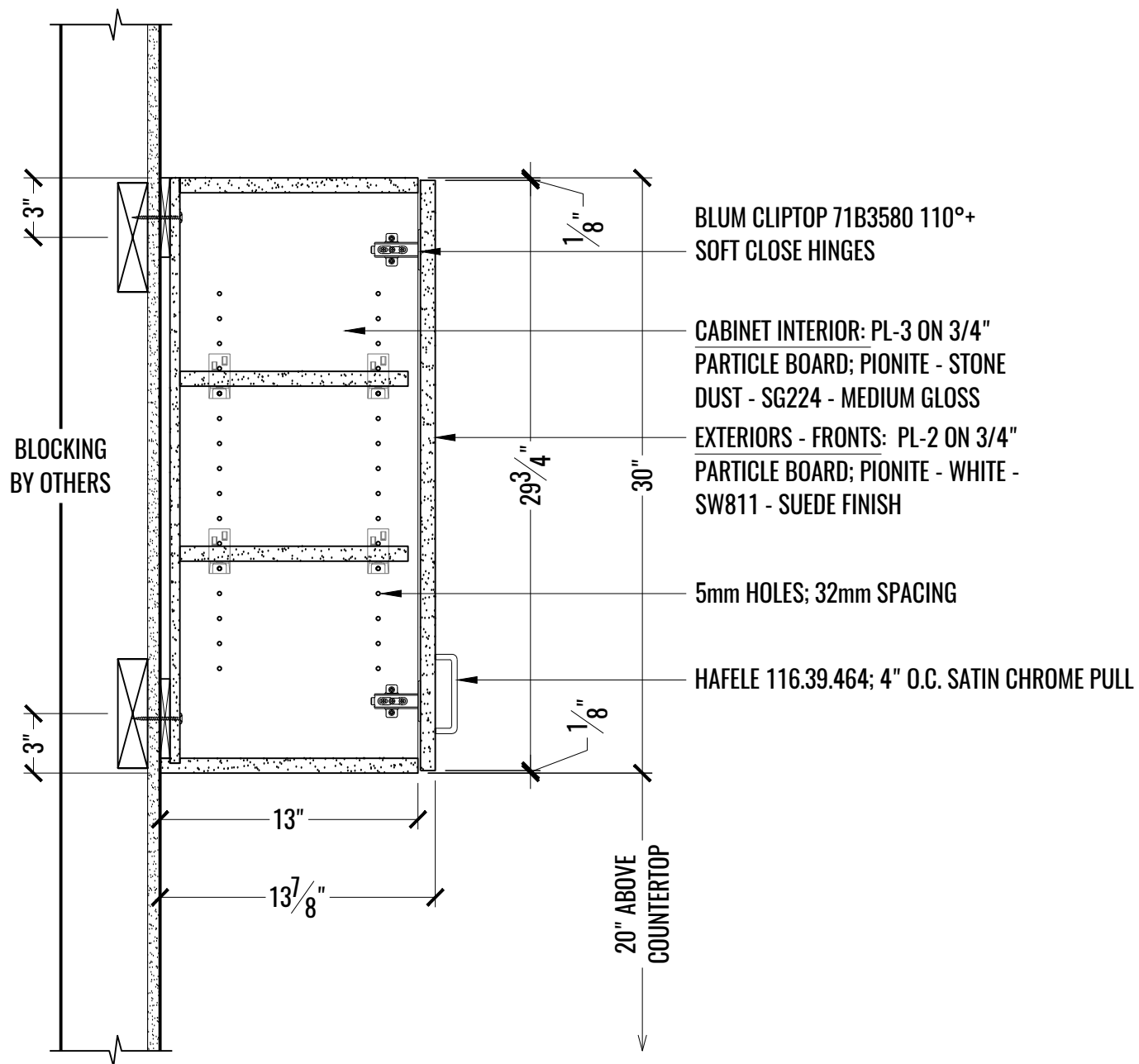
2 ELEVATION: STORAGE
 4 SCALE: 1/2" = 1'-0"



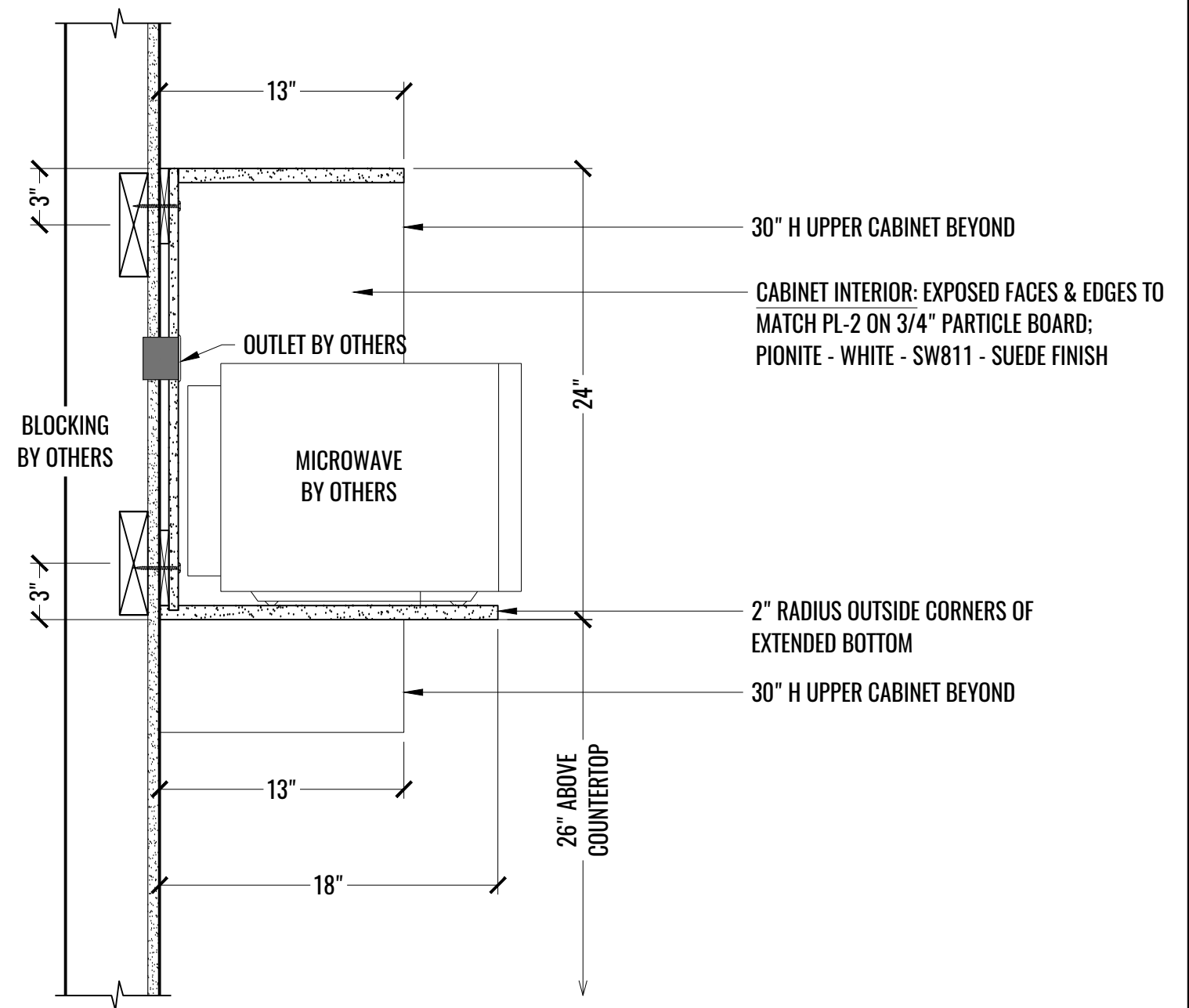
1 SECTION: BASE CABINETS W/DRAWER - PANTRY
 A SCALE: 1-1/2" = 1'-0"



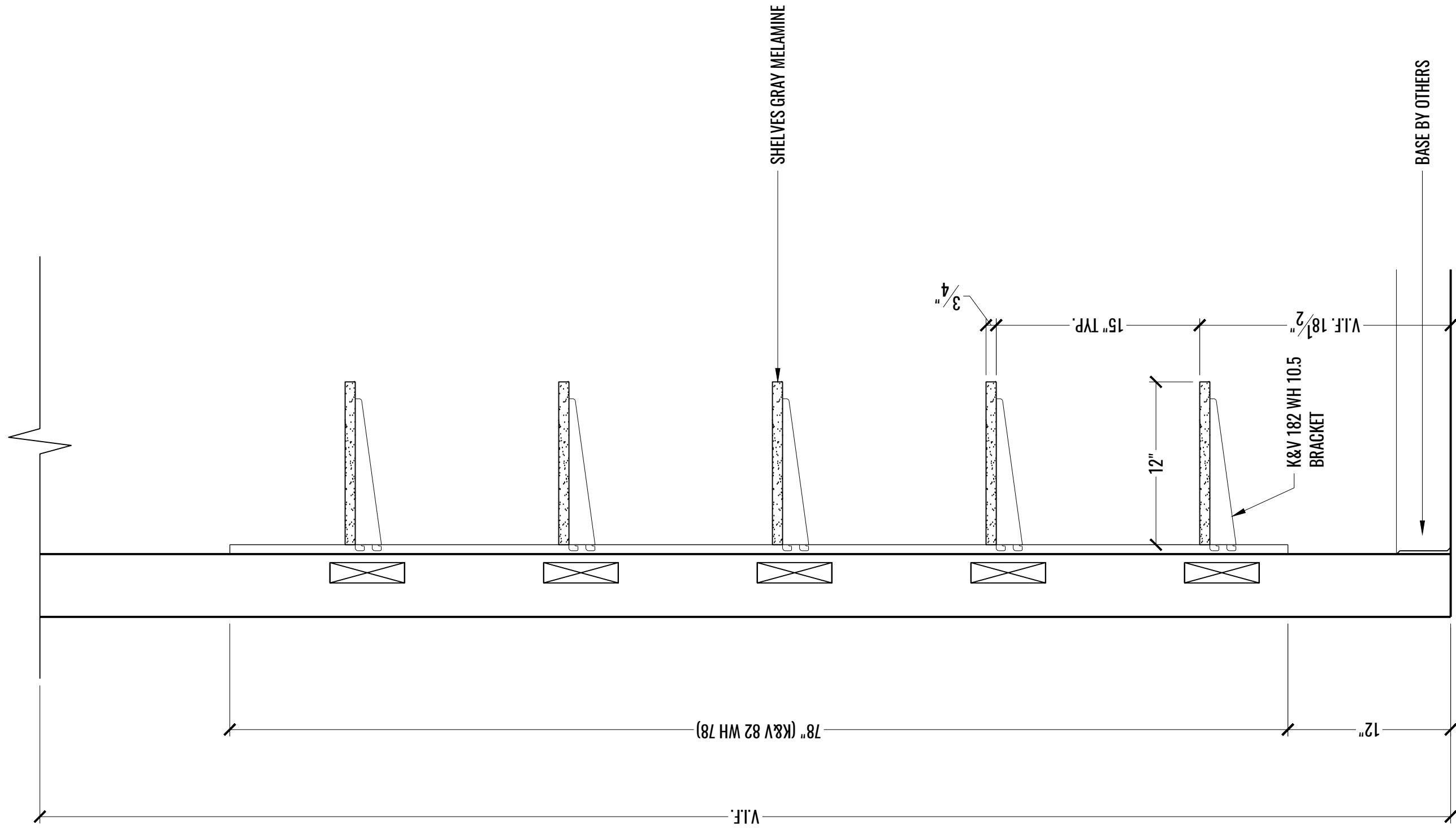
2 SECTION: BASE CABINET @ SINK - PANTRY
 A SCALE: 1-1/2" = 1'-0"



1 SECTION: UPPER CABINETS 30"H - PANTRY
B SCALE: 1-1/2" = 1'-0"



2 SECTION: MICROWAVE NICHE - PANTRY
B SCALE: 1-1/2" = 1'-0"



SECTION: ADJUSTABLE SHELVING - STORAGE
 SCALE: 1-1/2" = 1'-0"