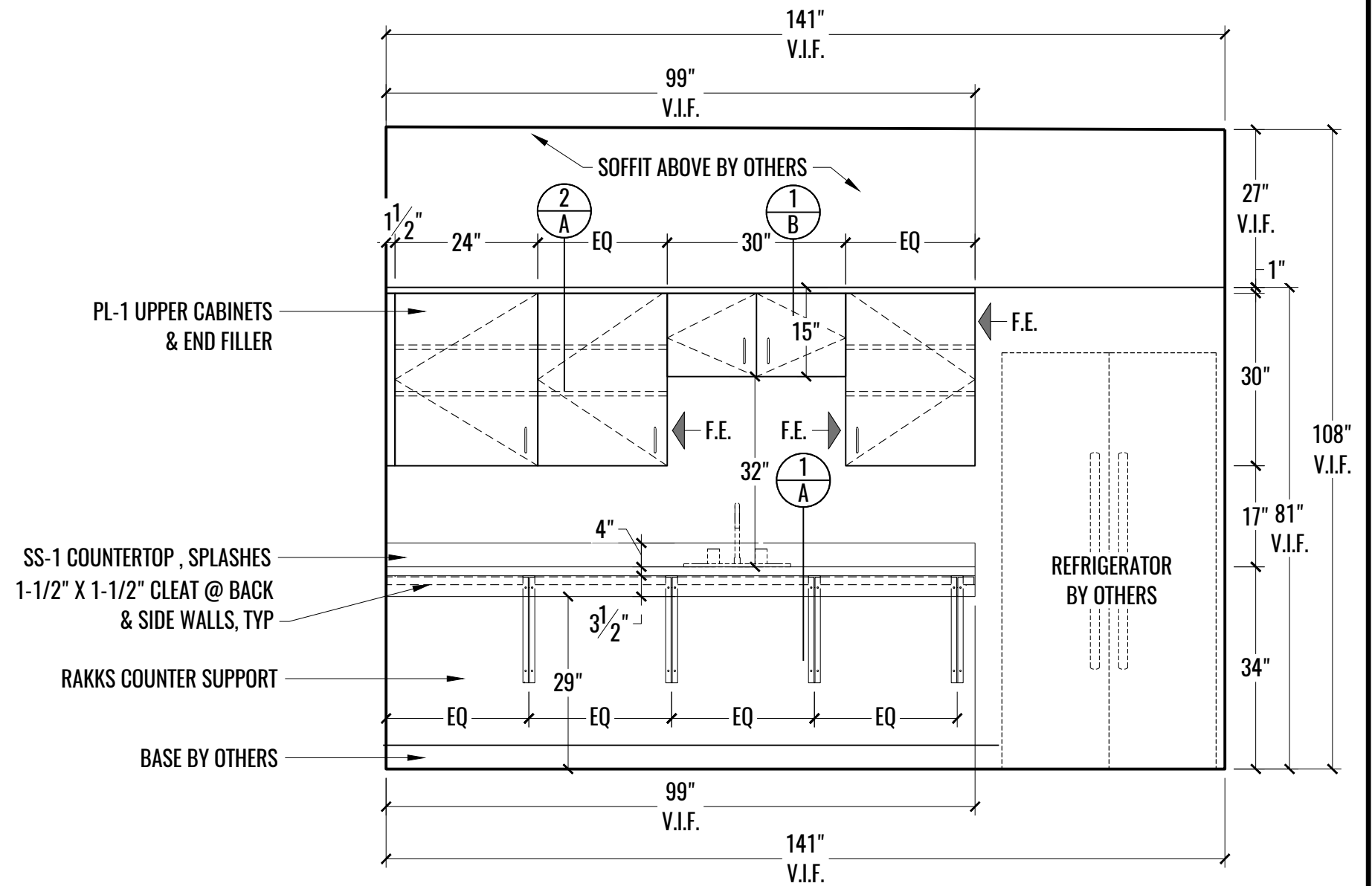
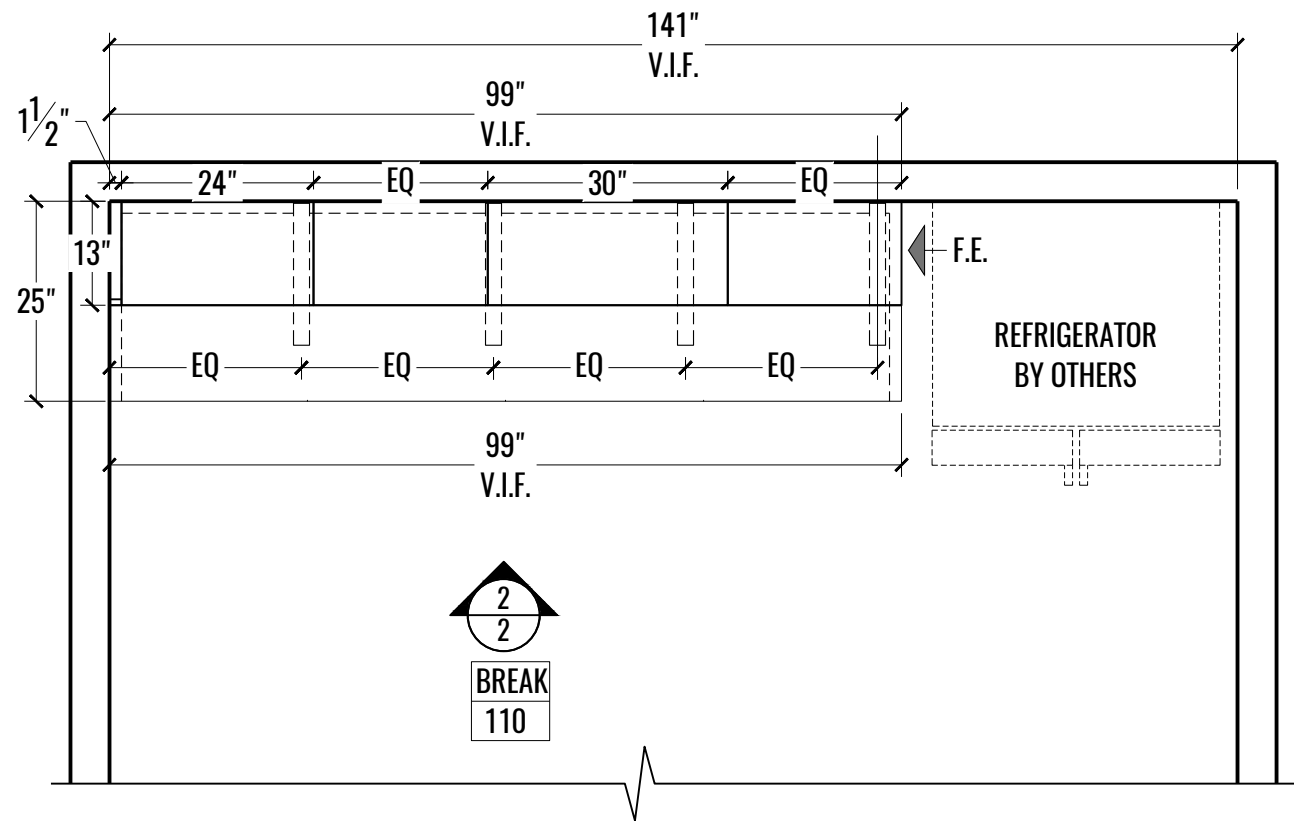
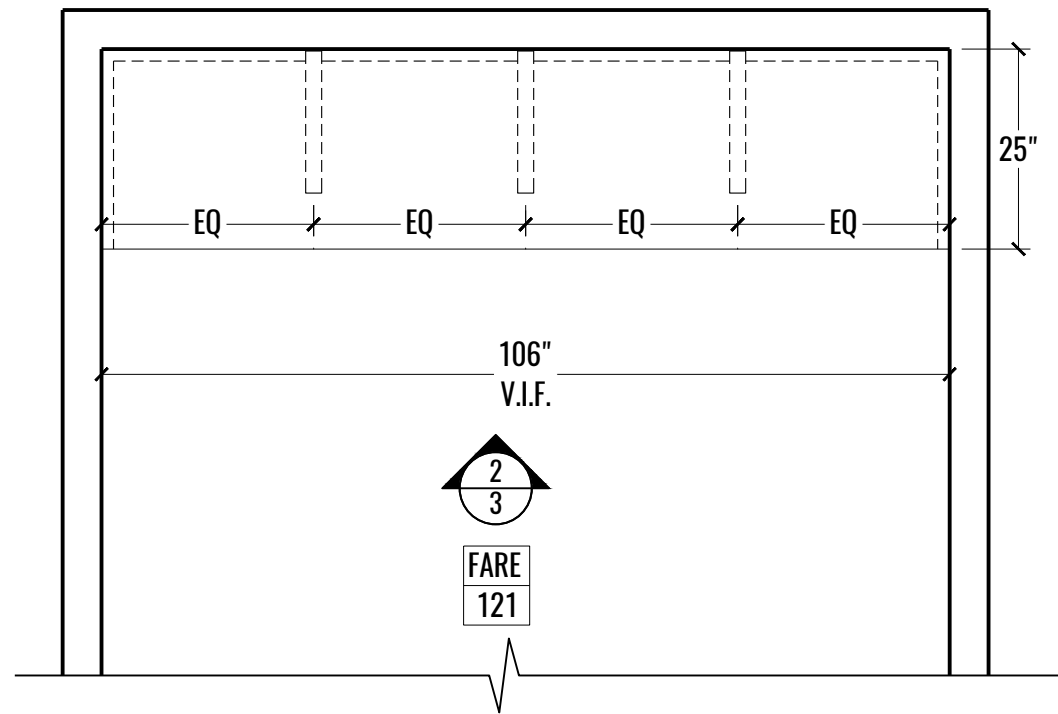


1 PLAN: PROJECT SCOPE
1 SCALE: NOT TO SCALE



1 PLAN: BREAK ROOM # 110
2 SCALE: 1/2" = 1'-0"

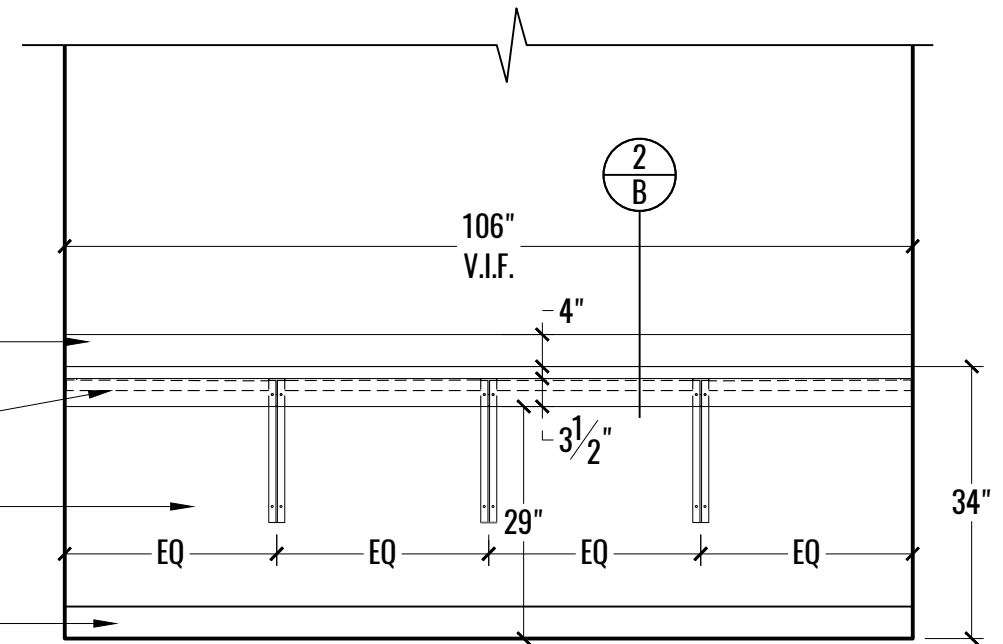
2 ELEVATION: BREAK ROOM # 110
2 SCALE: 1/2" = 1'-0"



SS-1 COUNTERTOP, SPLASHES & APRON
1-1/2" X 1-1/2" CLEAT @ BACK
& SIDE WALLS, TYP

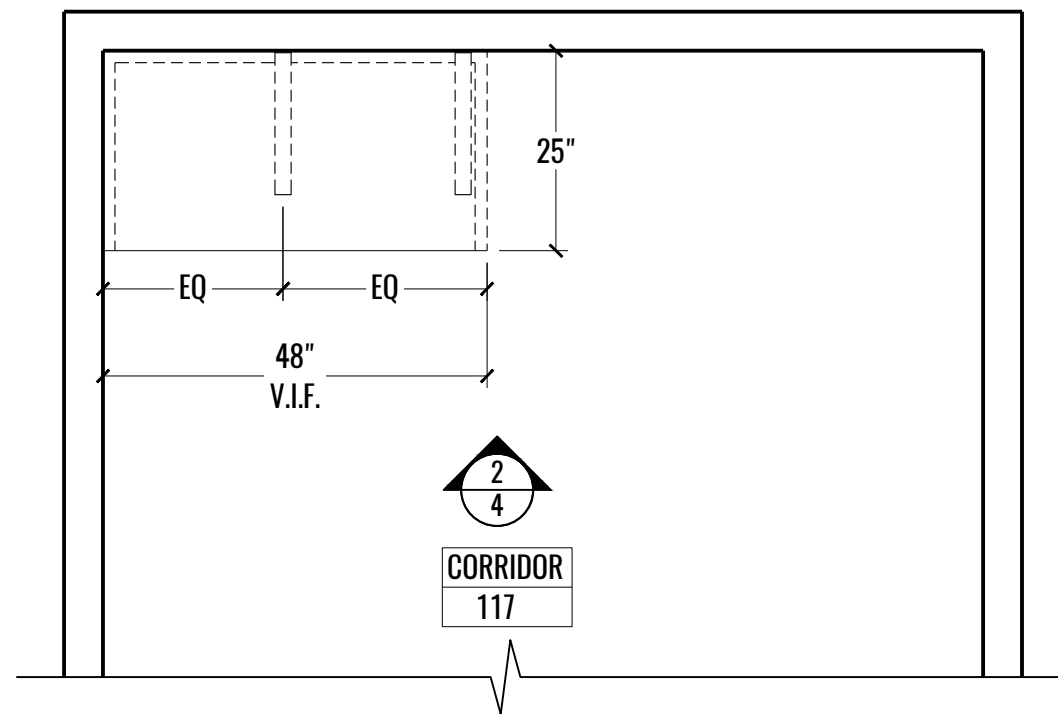
RAKKS COUNTER SUPPORT

BASE BY OTHERS

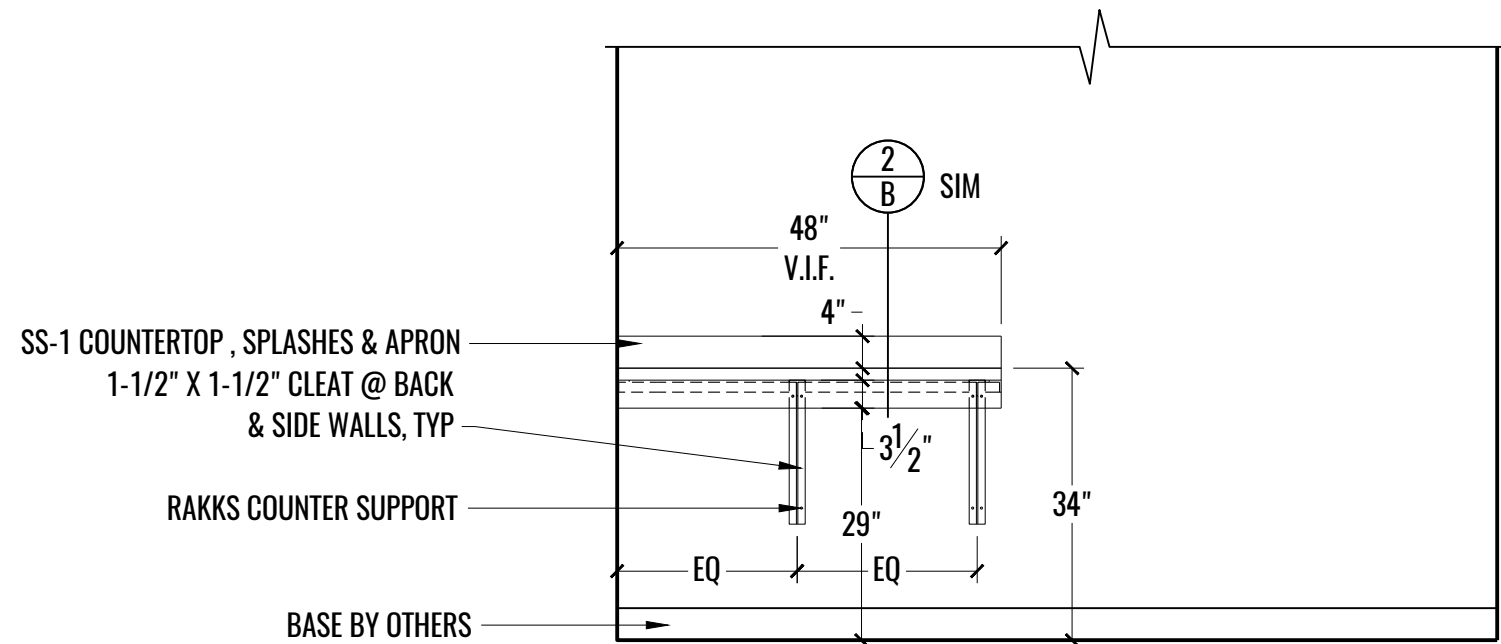


1 PLAN: FARE RM# 121
3 SCALE: 1/2" = 1'-0"

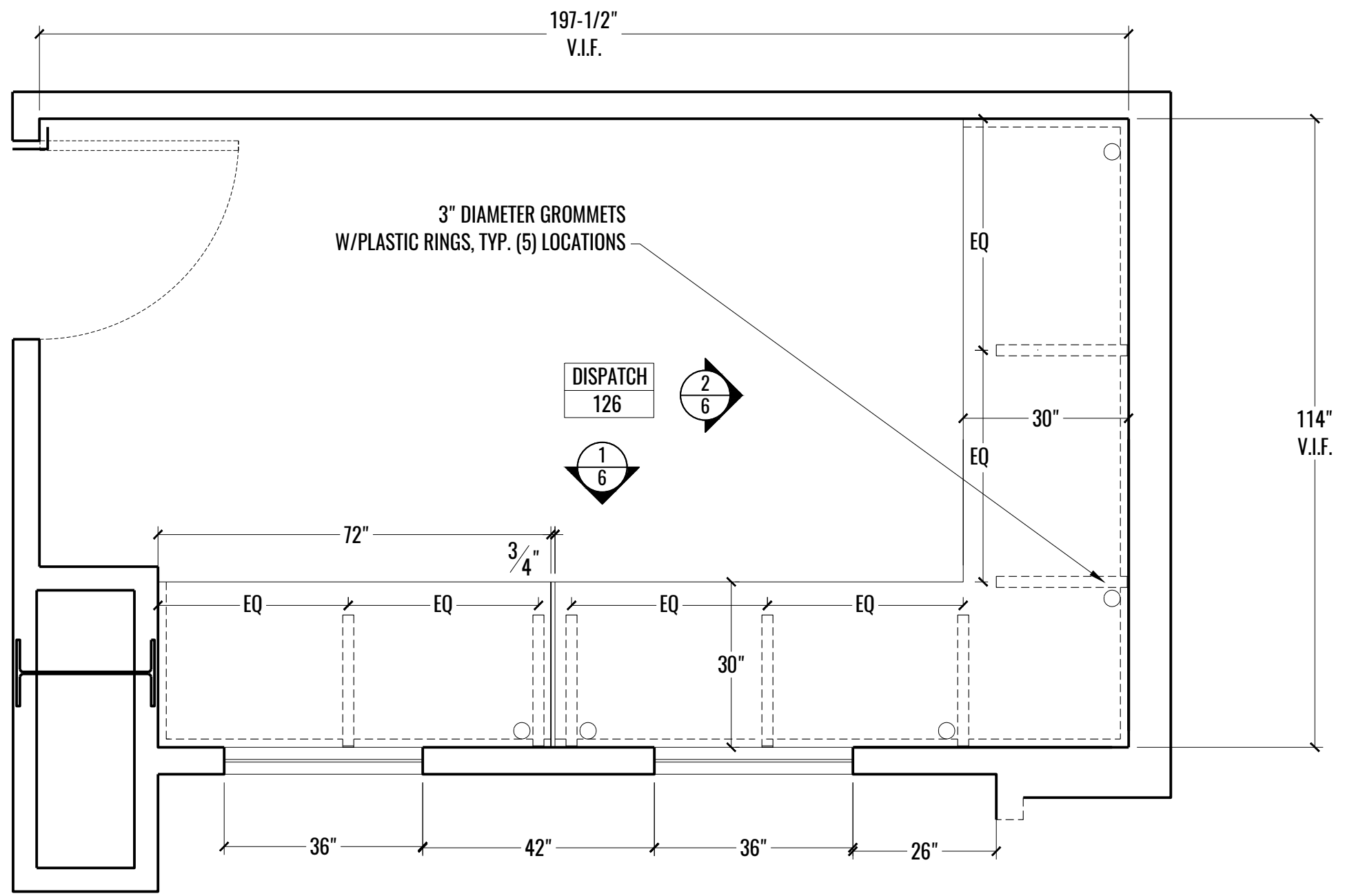
2 ELEVATION: FARE RM# 121
3 SCALE: 1/2" = 1'-0"



1 PLAN: CORRIDOR RM# 117
4 SCALE: 1/2" = 1'-0"

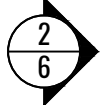


2 ELEVATION: CORRIDOR RM# 117
4 SCALE: 1/2" = 1'-0"

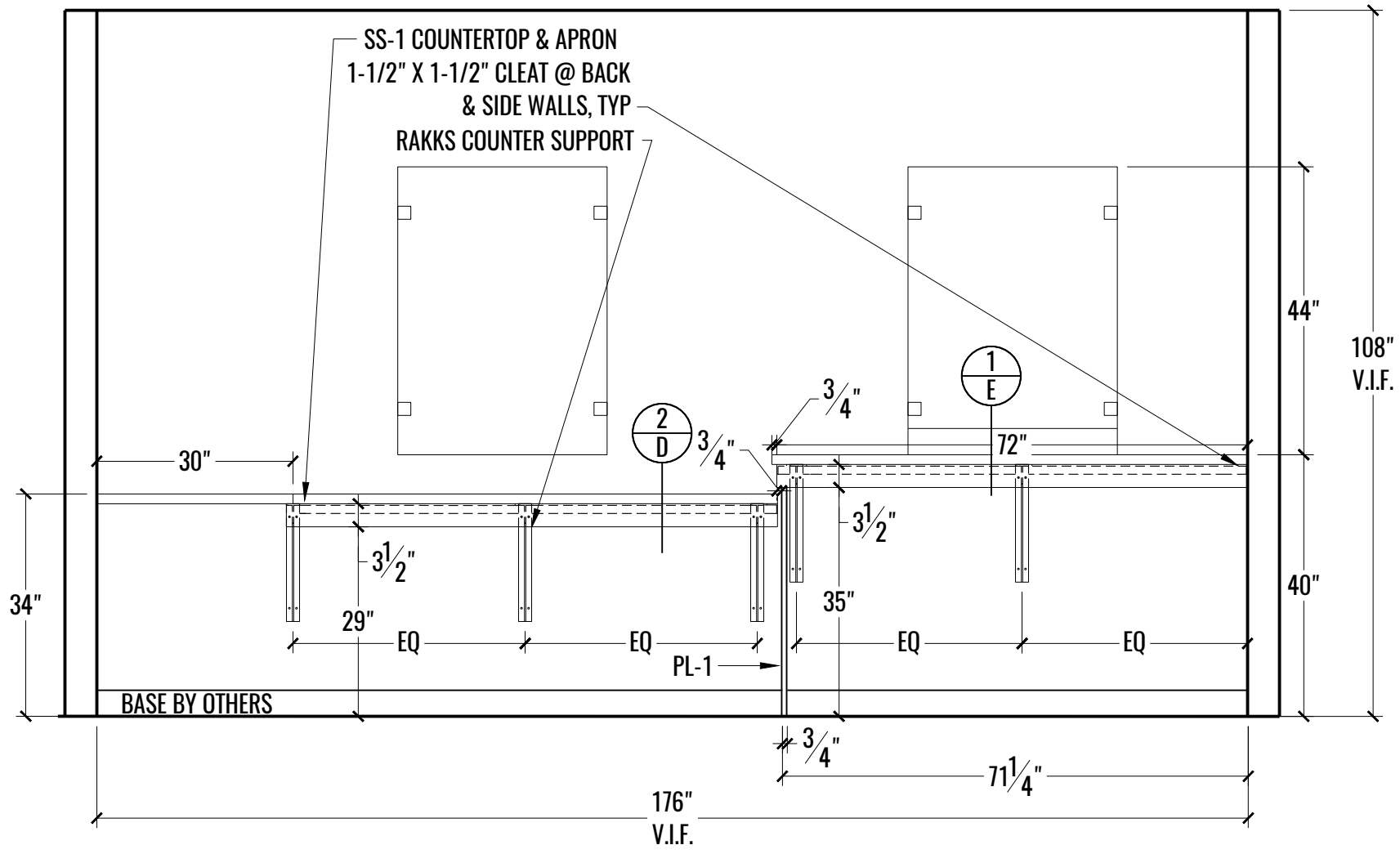


3" DIAMETER GROMMETS
W/PLASTIC RINGS, TYP. (5) LOCATIONS

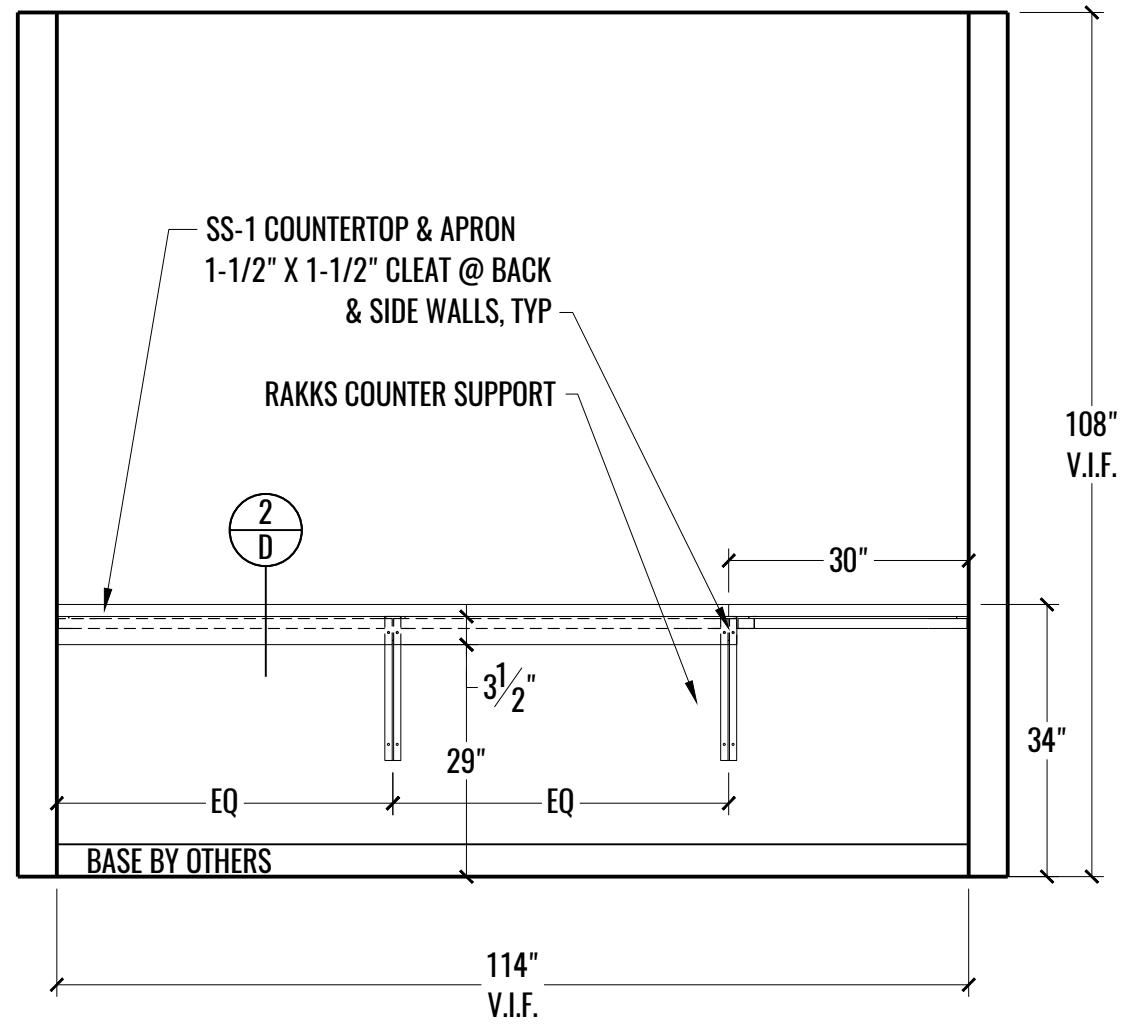
DISPATCH
126



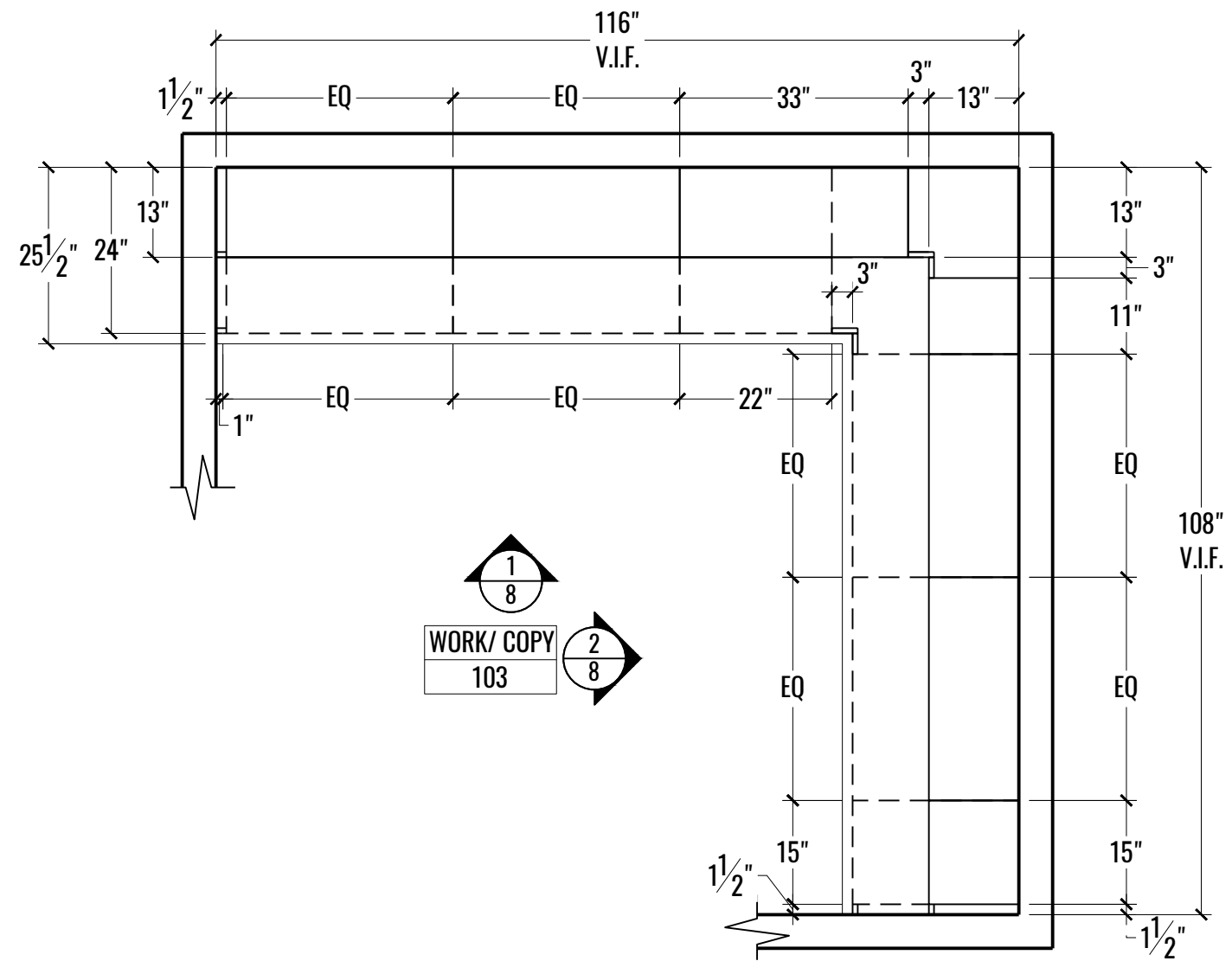
1 PLAN: DISPATCH RM# 126
5 SCALE: 1/2" = 1'-0"



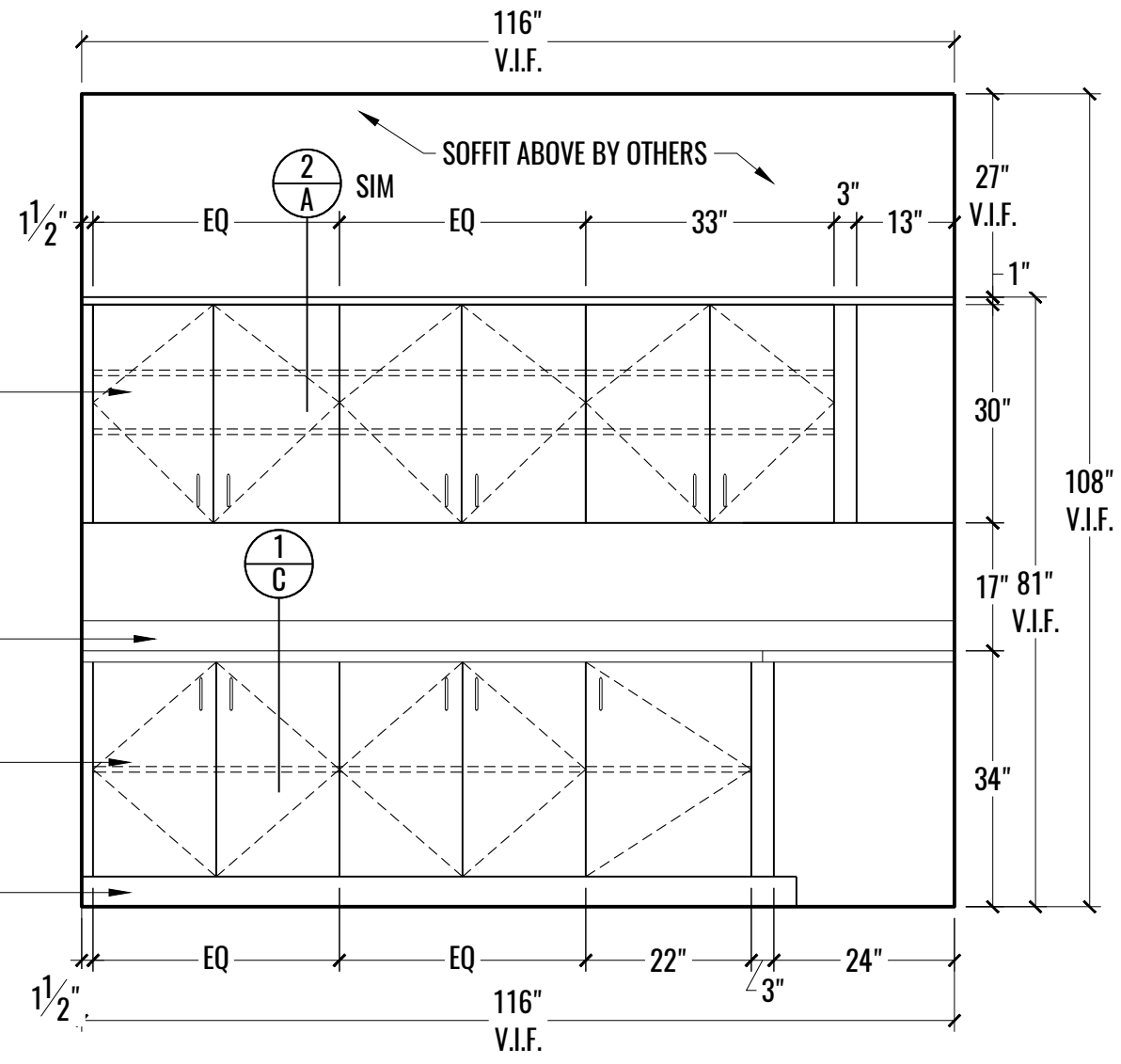
1
6 ELEVATION: DISPATCH RM# 126
SCALE: 1/2" = 1'-0"



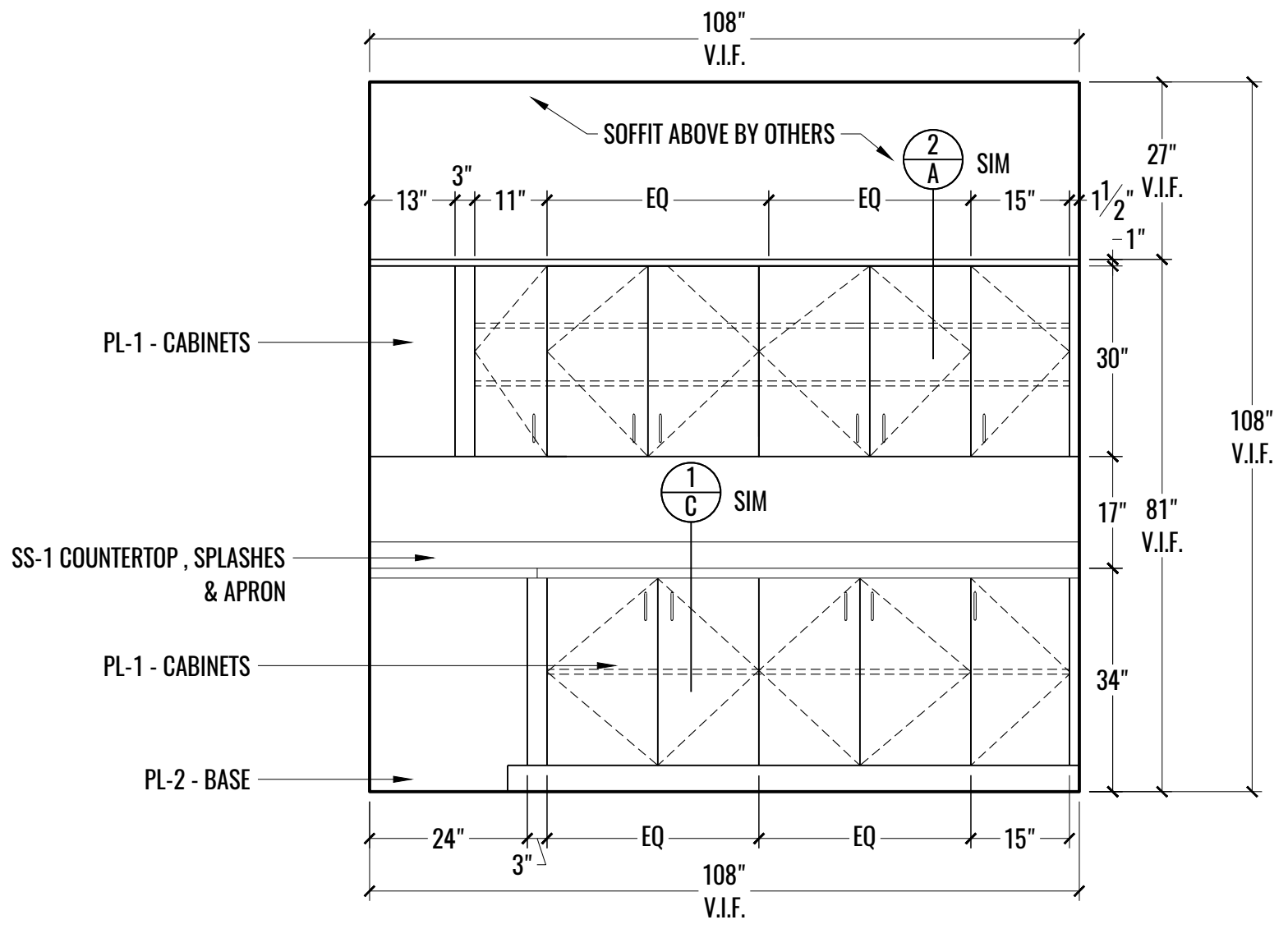
2
6 ELEVATION: DISPATCH RM# 126
SCALE: 1/2" = 1'-0"



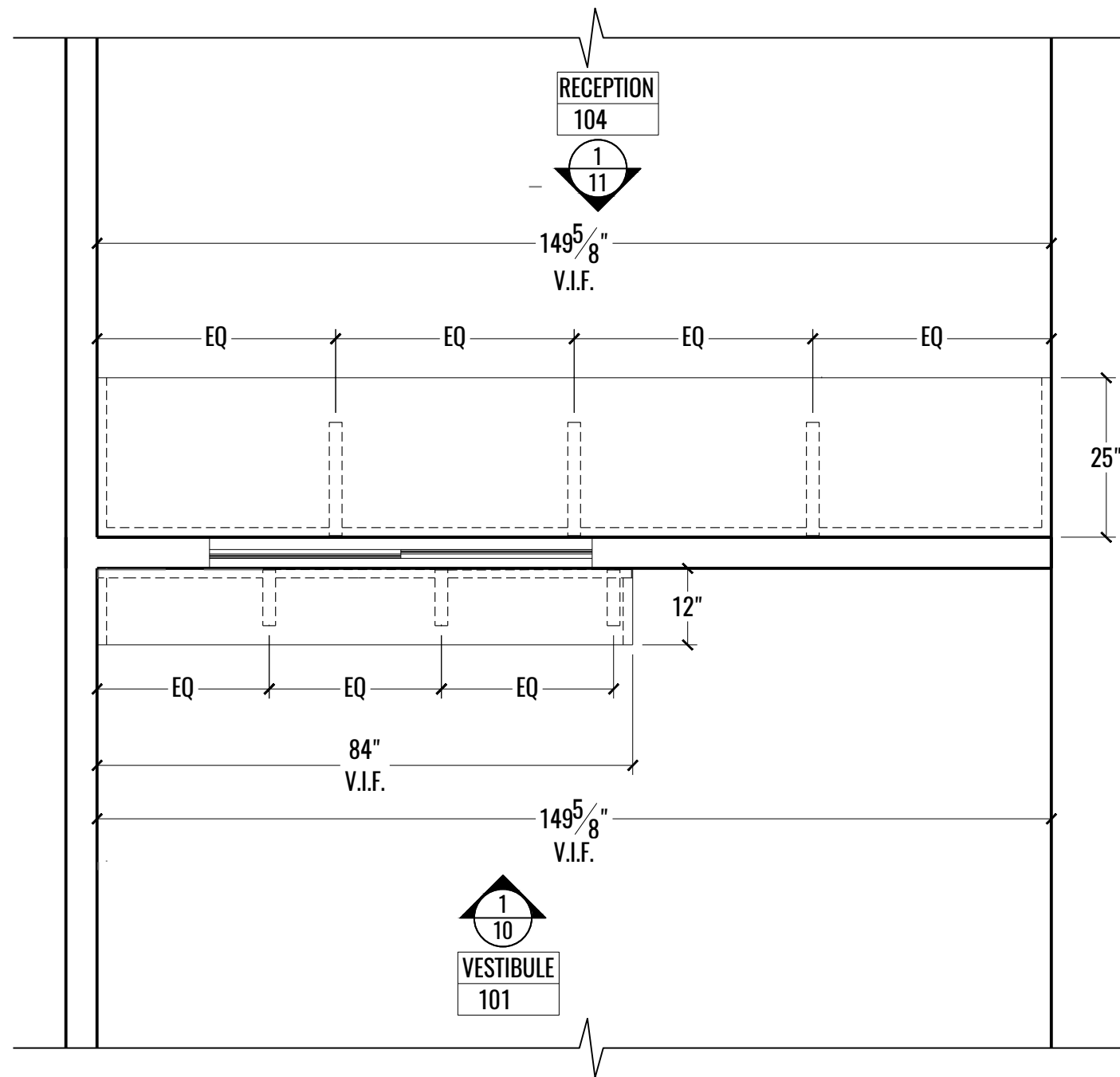
1 PLAN: WORK/COPY RM# 103
7 SCALE: 1/2" = 1'-0"



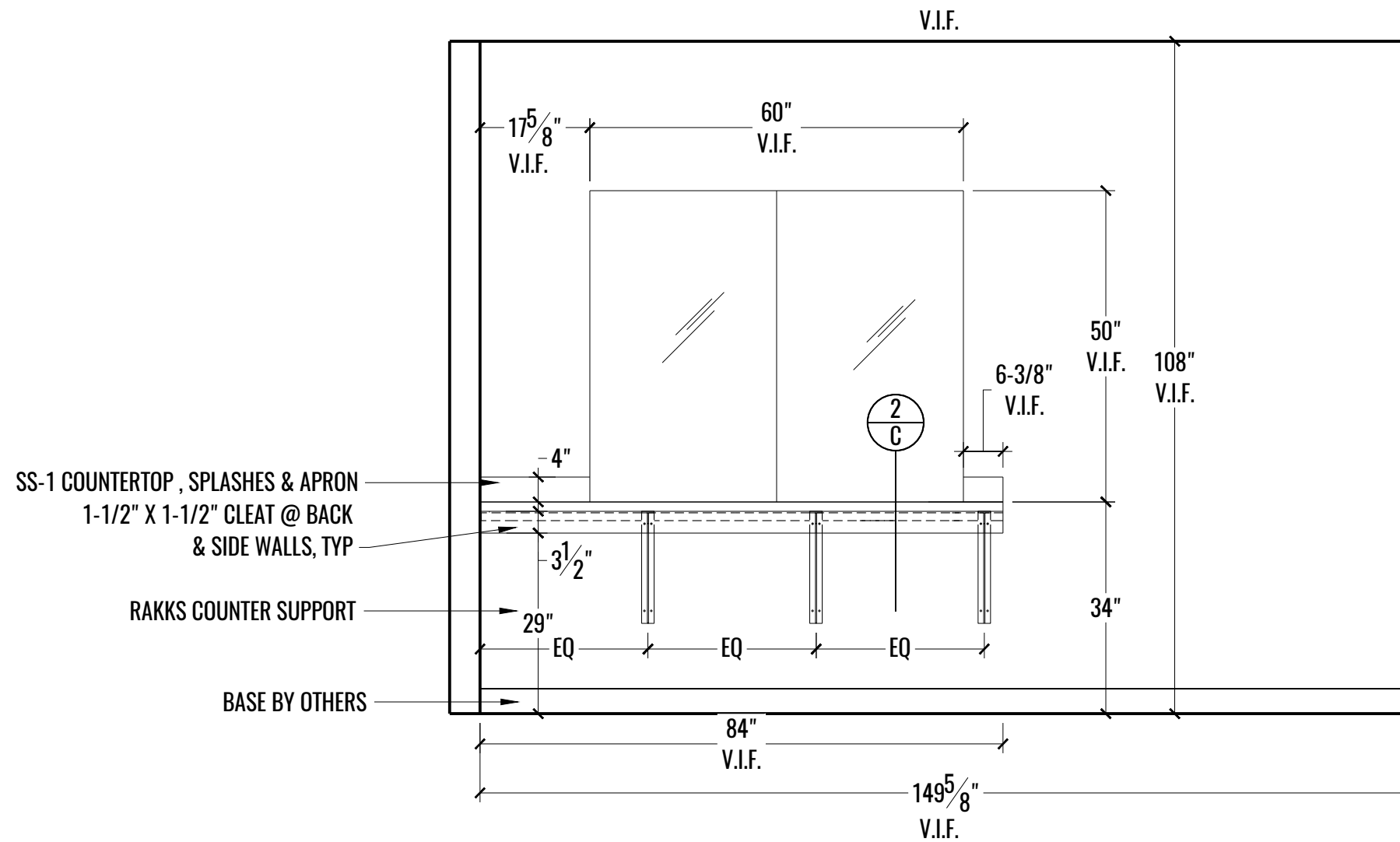
1
8 ELEVATION: WORK/COPY RM# 103 (WEST)
SCALE: 1/2" = 1'-0"



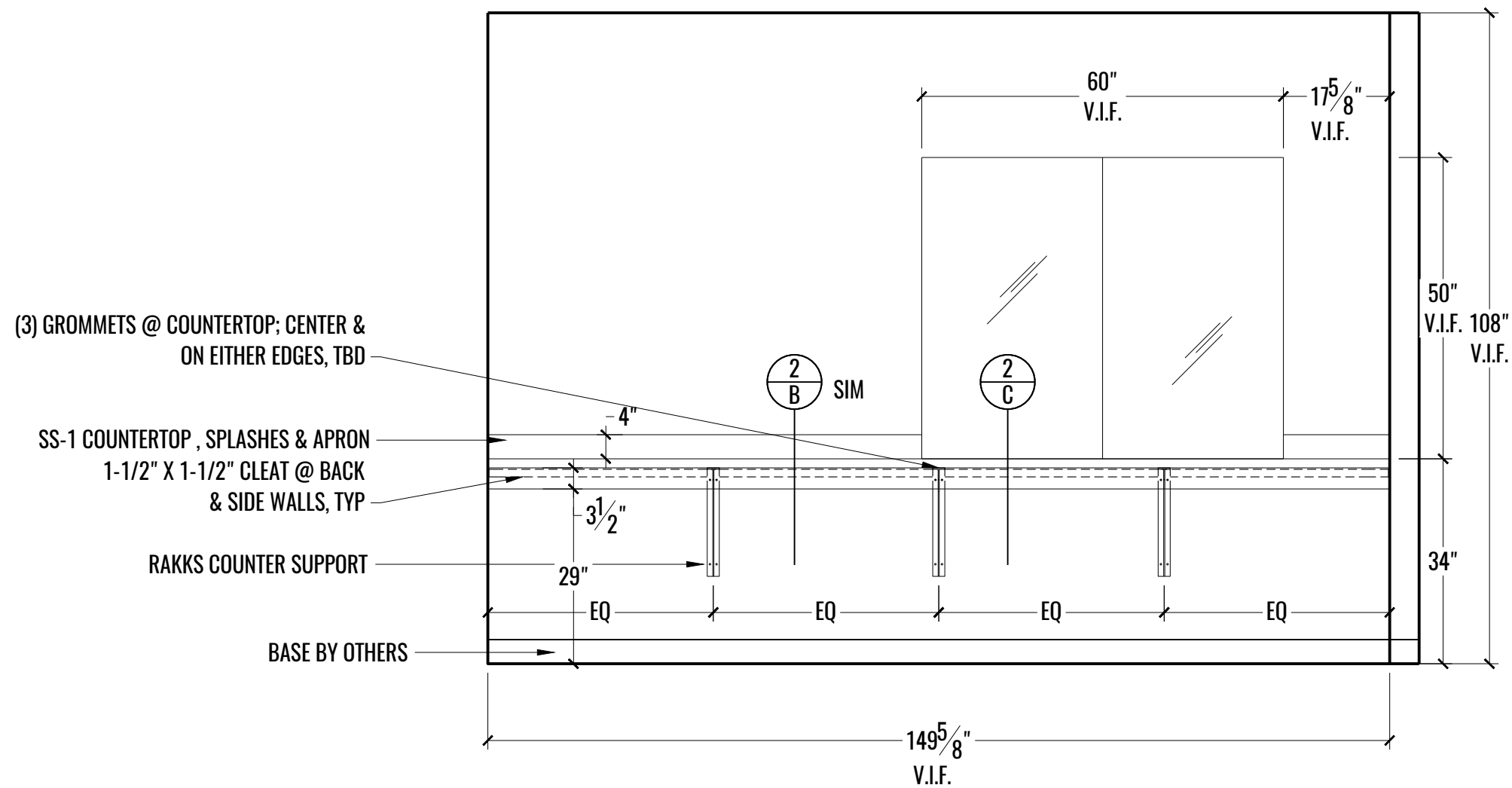
2
8 ELEVATION: WORK/COPY RM# 103 (NORTH)
SCALE: 1/2" = 1'-0"



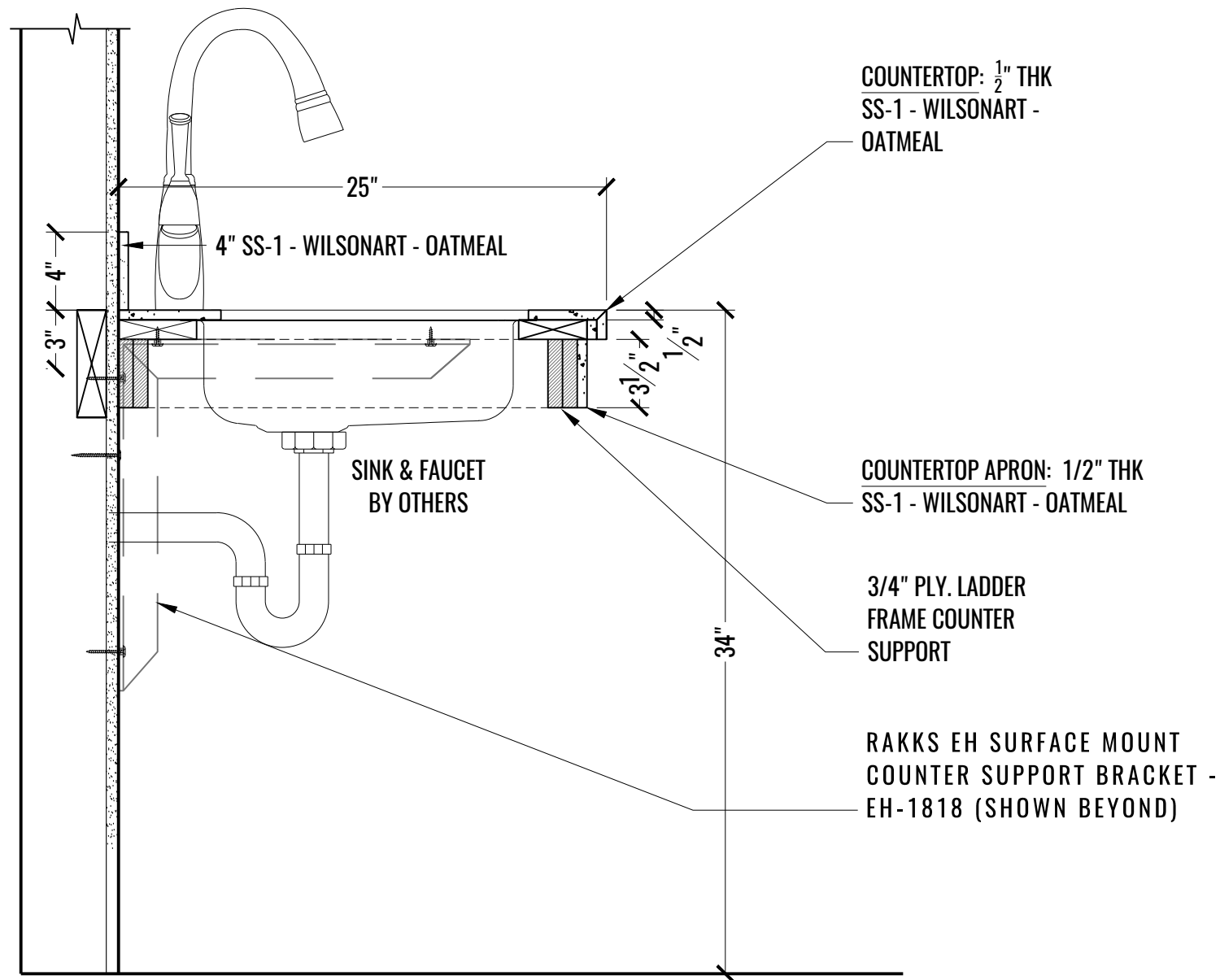
1 PLAN: VESTIBULE/RECEPTION
9 SCALE: 1/2" = 1'-0"



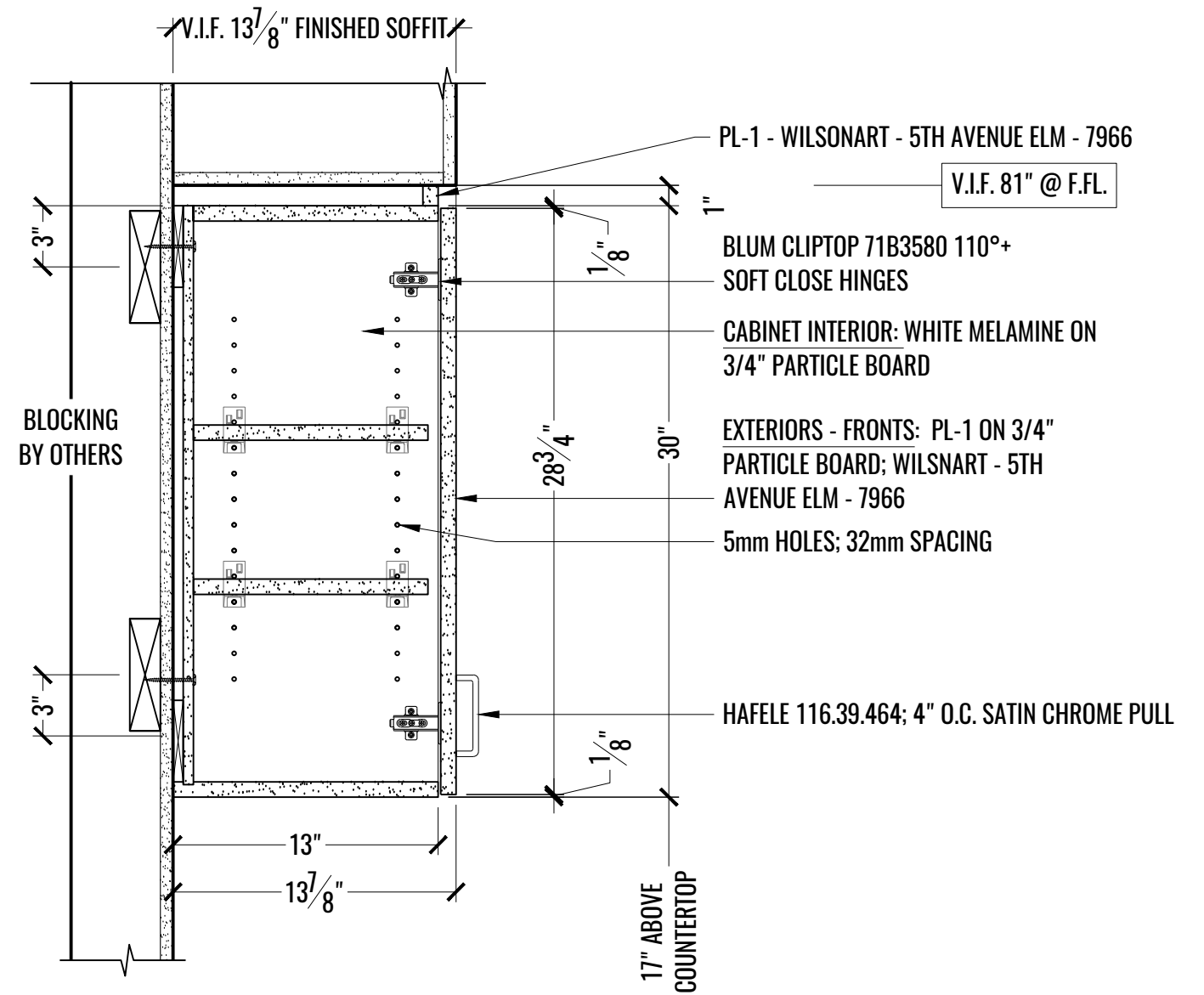
1
10 ELEVATION: RECEPTION RM # 104 (VESTIBULE SIDE)
SCALE: 1/2" = 1'-0"



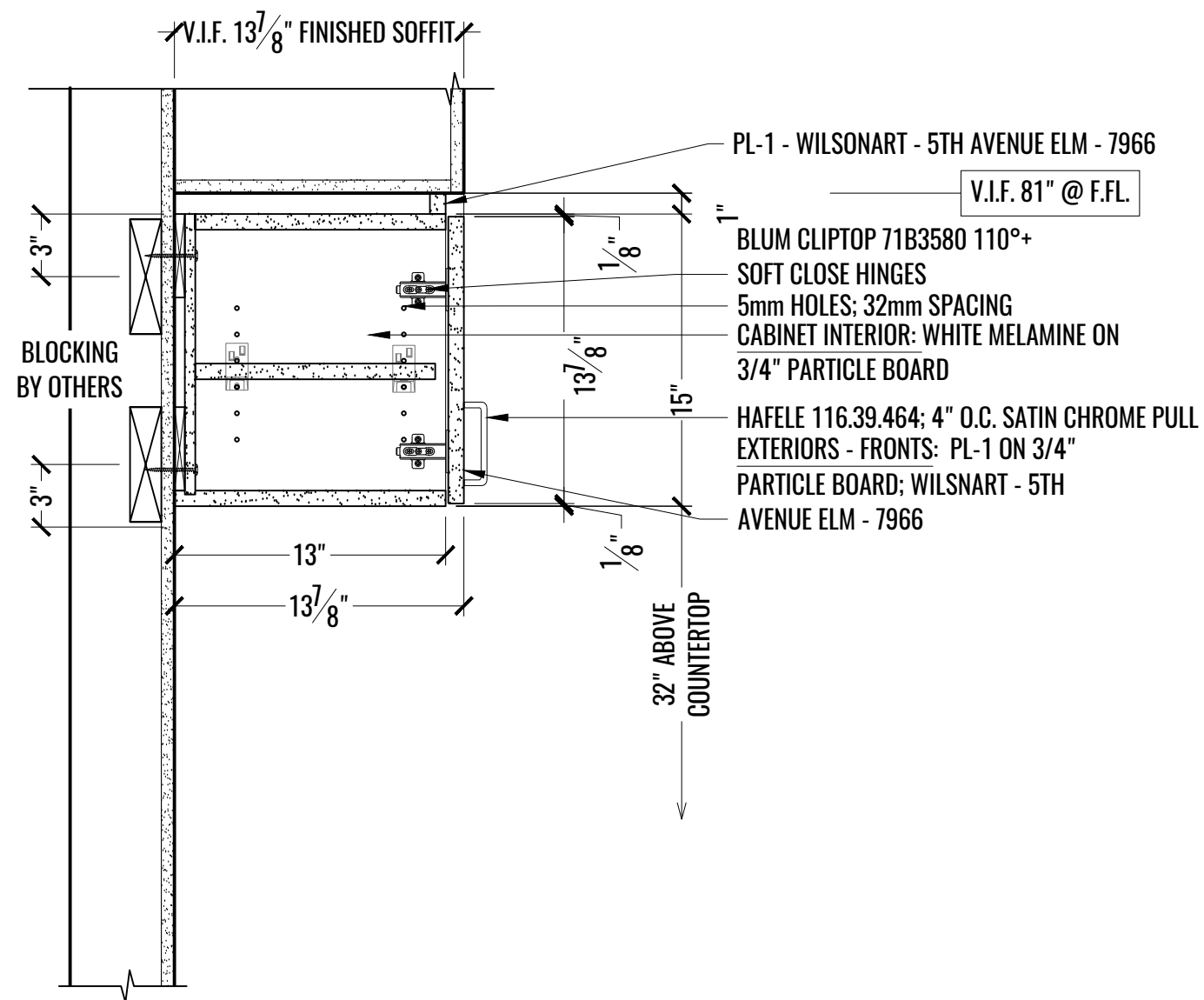
1
 11 ELEVATION: RECEPTION RM # 104
 SCALE: 1/2" = 1'-0"



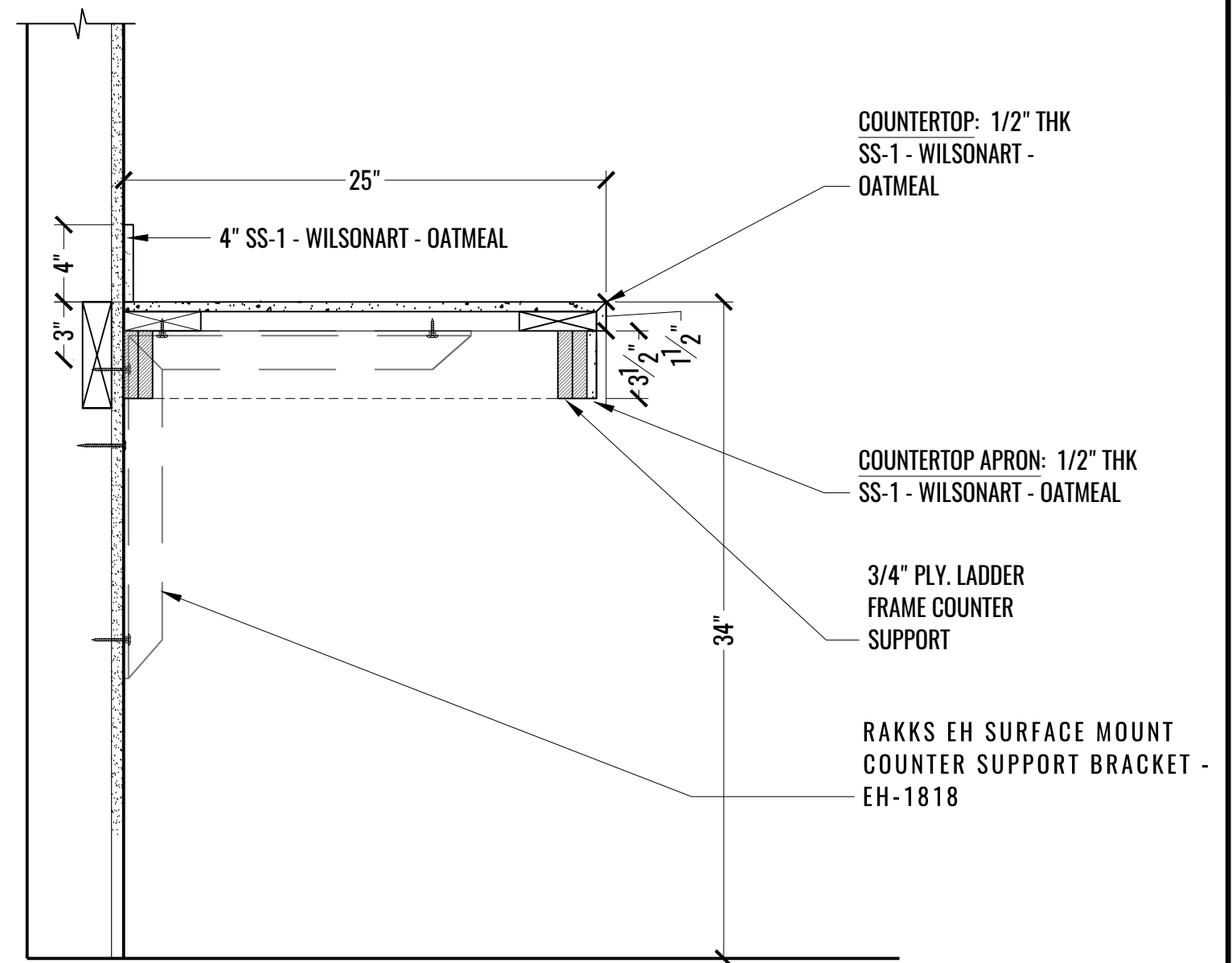
1 SECTION: BREAK RM # 110 @ SINK
A SCALE: 1-1/2" = 1'-0"



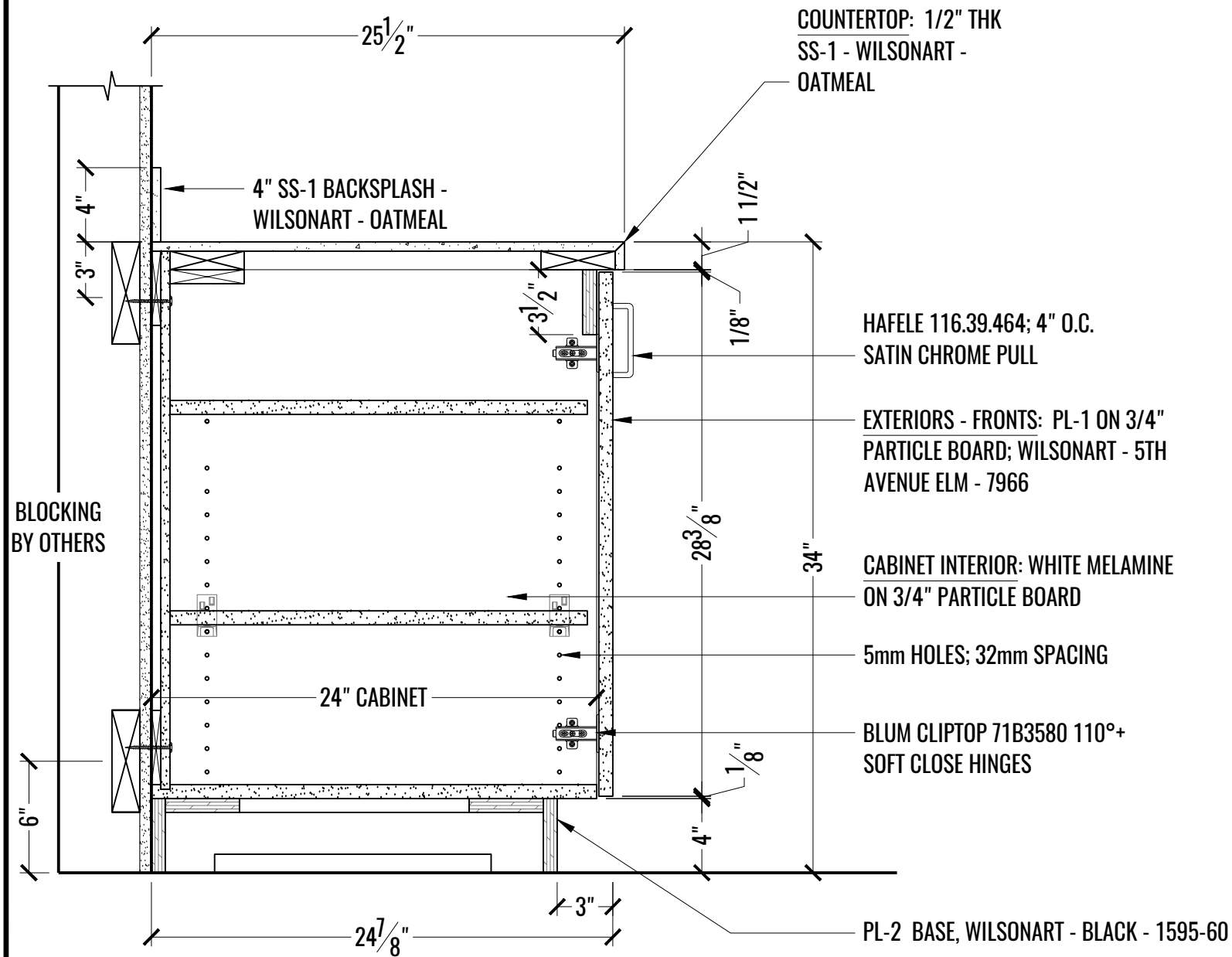
2 SECTION: BREAK RM # 110 - UPPER CABINETS
A SCALE: 1-1/2" = 1'-0"



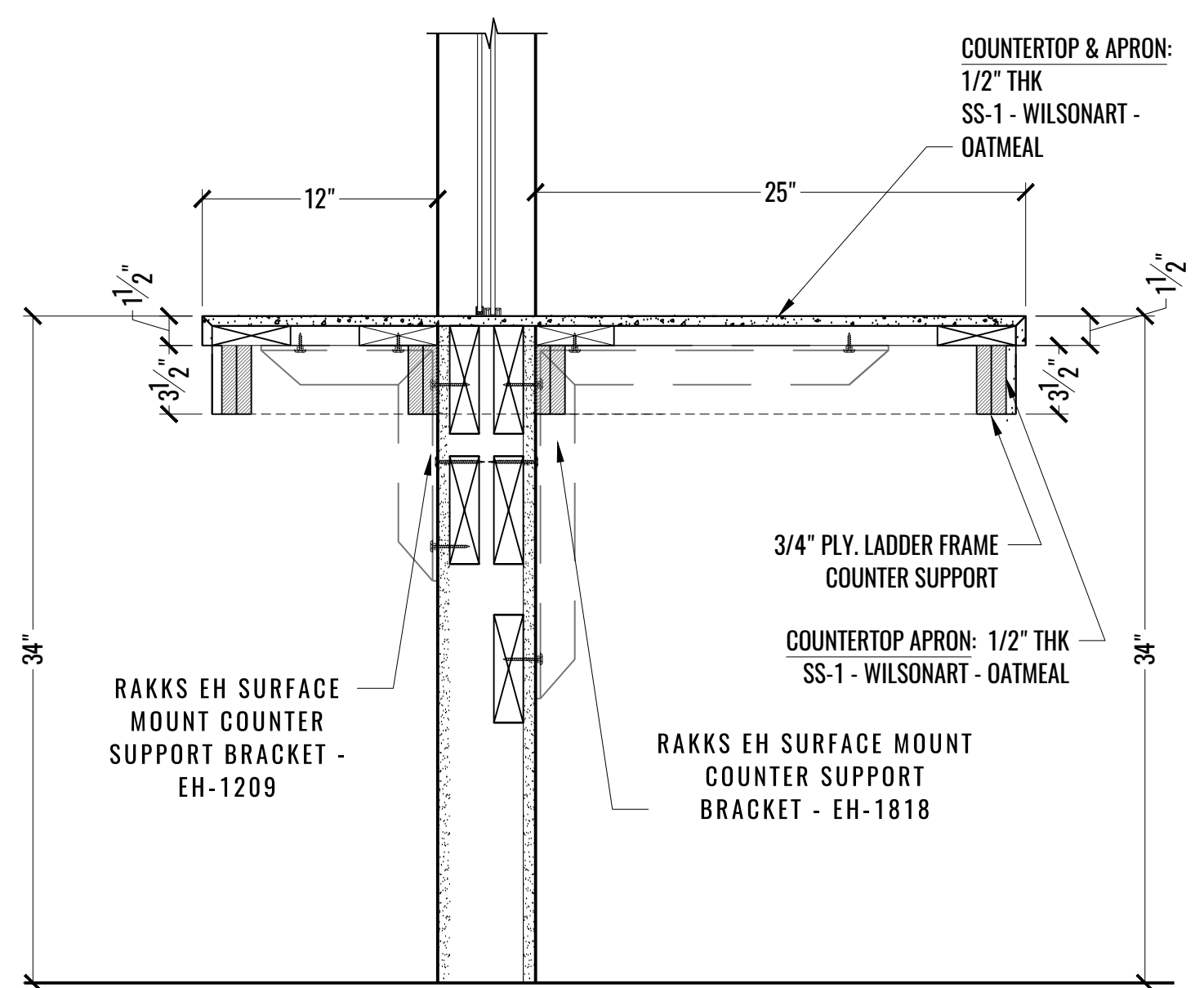
1 SECTION: BREAK RM # 110 SHALLOW UPPER CABINETS
 B SCALE: 1-1/2" = 1'-0"



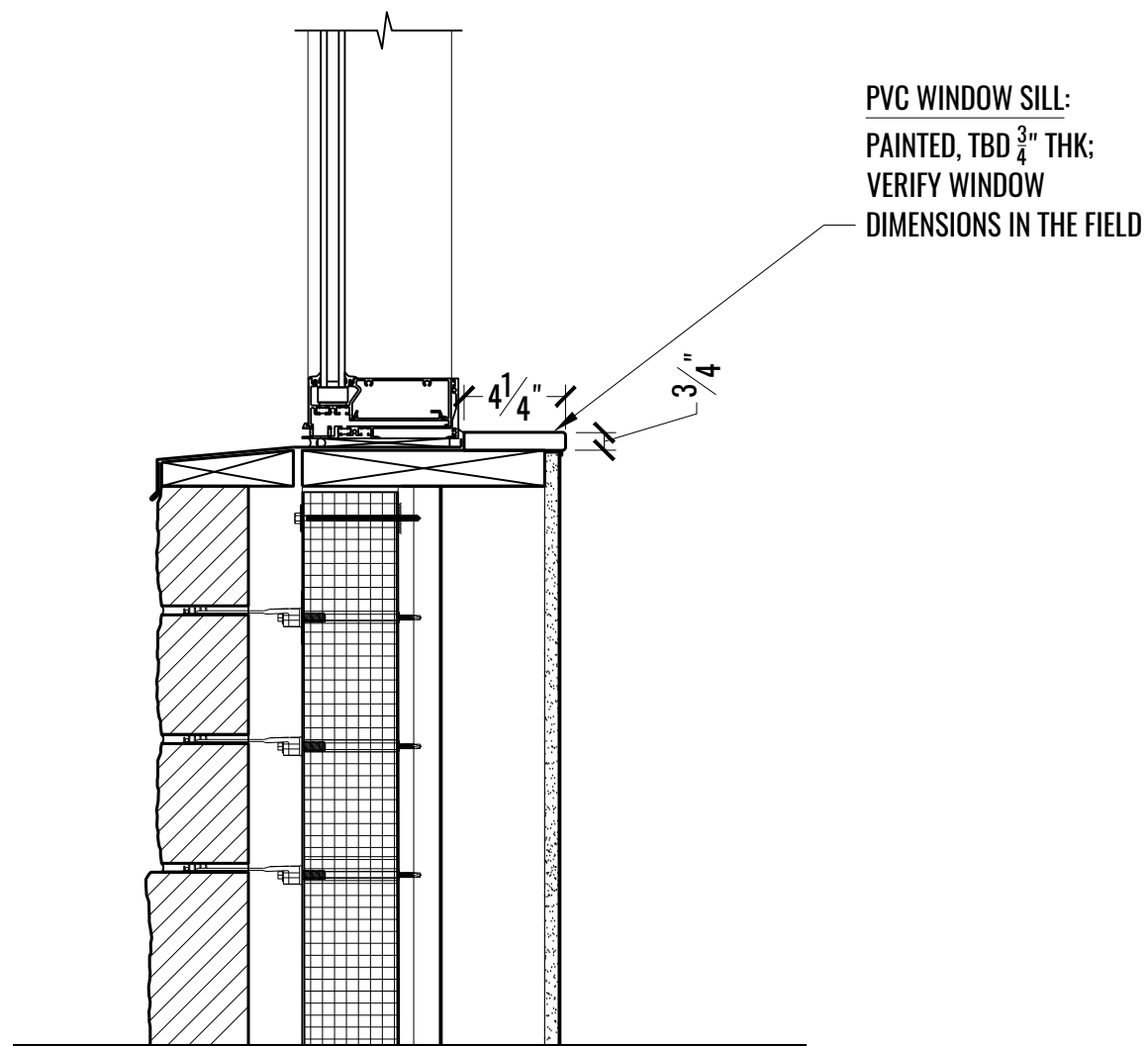
2 SECTION: SS-1 COUNTERTOP - 25" DEEP
 B SCALE: 1-1/2" = 1'-0"



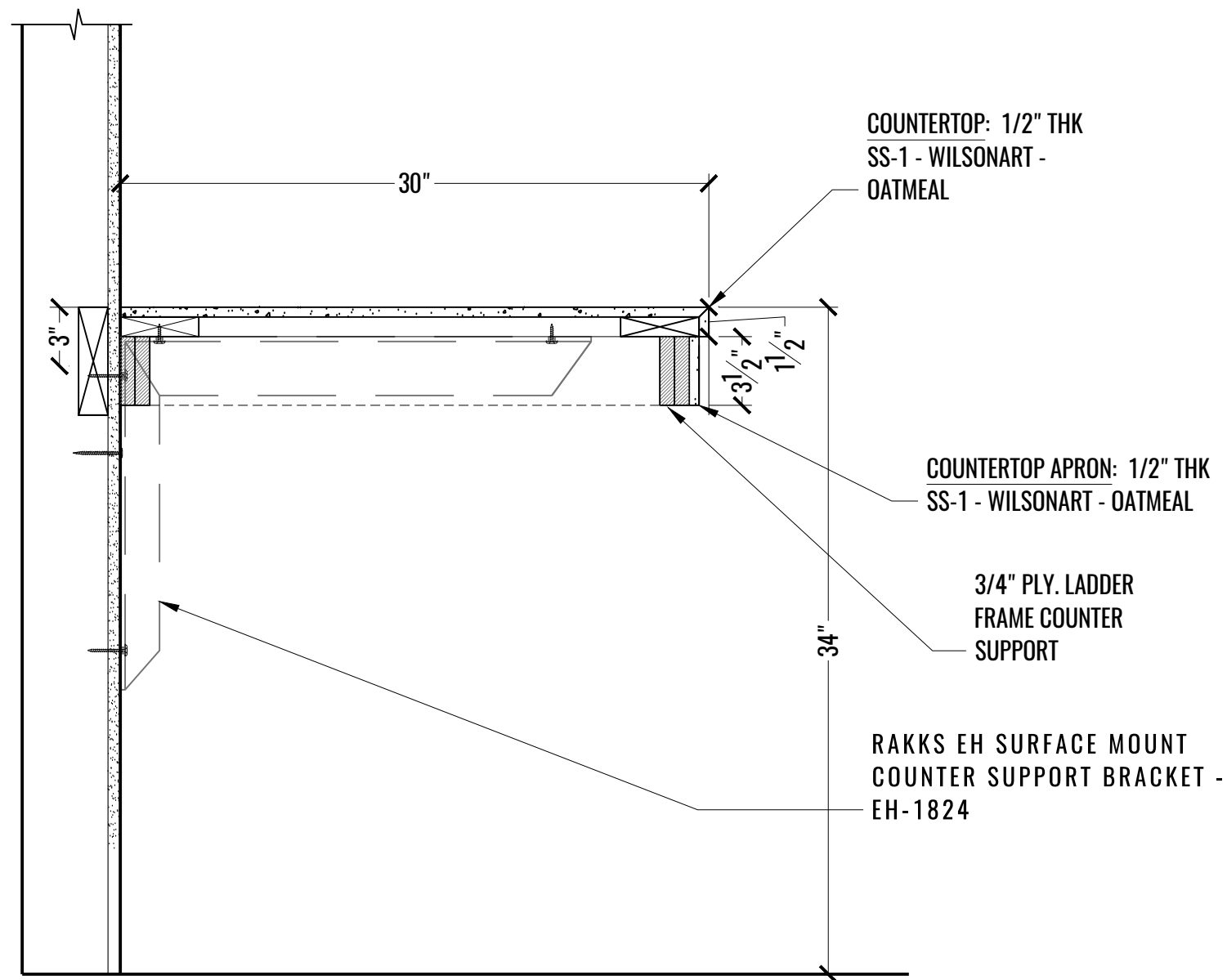
1 SECTION: WORK/COPY RM# 103 - BASE CABINETS
C SCALE: 1-1/2" = 1'-0"



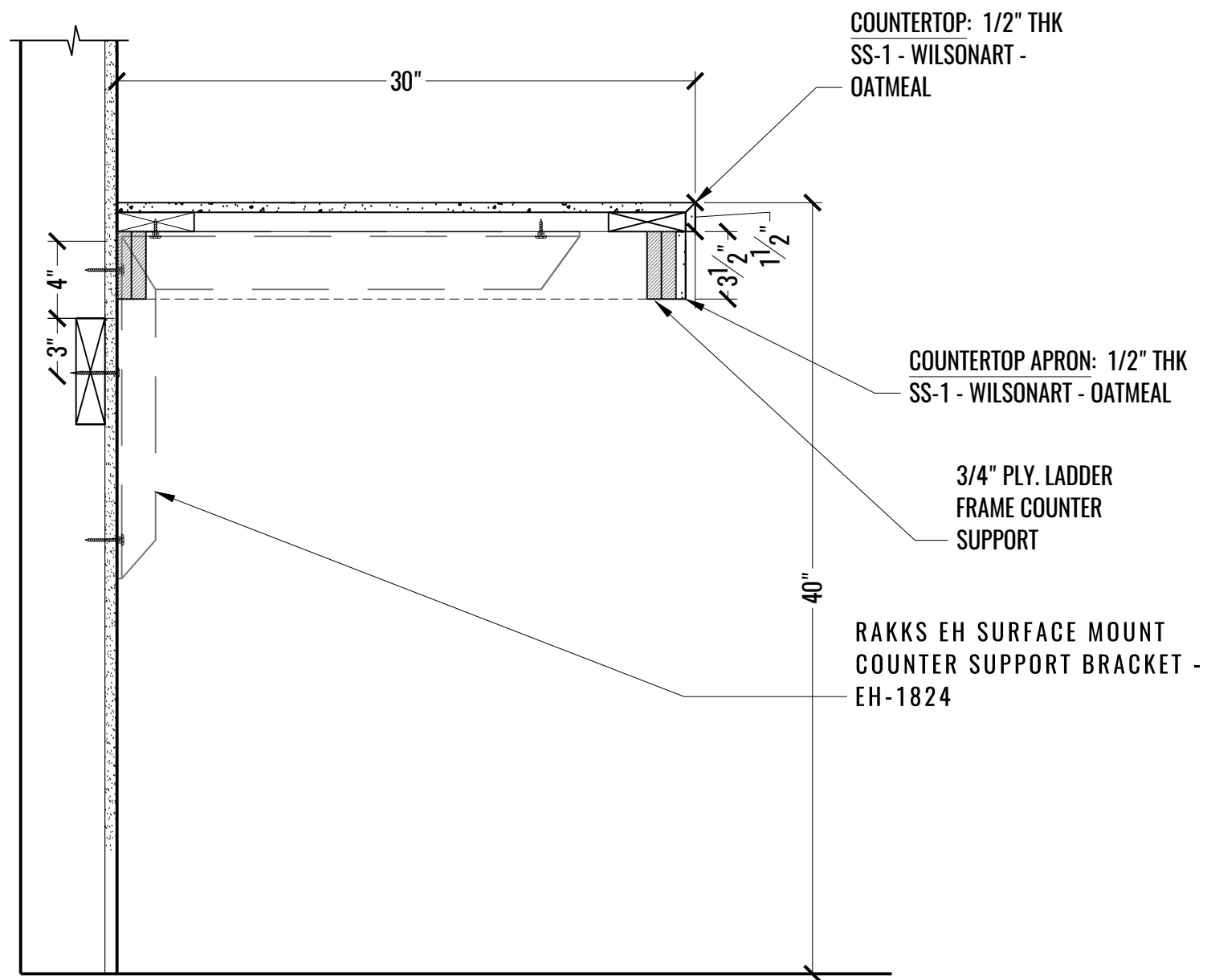
2 SECTION: RECEPTION RM # 104
C SCALE: 1-1/2" = 1'-0"



1 SECTION: PVC WINDOW SILL DETAIL
D SCALE: 1-1/2" = 1'-0"



2 SECTION: DISPATCH RM# 126 - 34\"/>



1 SECTION: DISPATCH RM# 126 - 40" H COUNTERTOP
E SCALE: 1-1/2" = 1'-0"