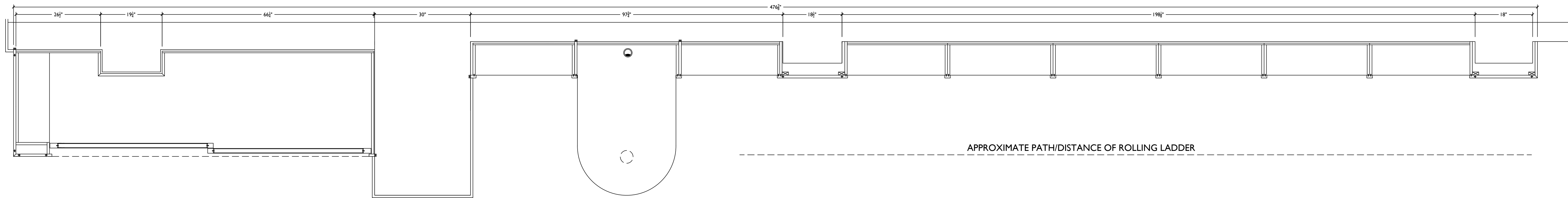


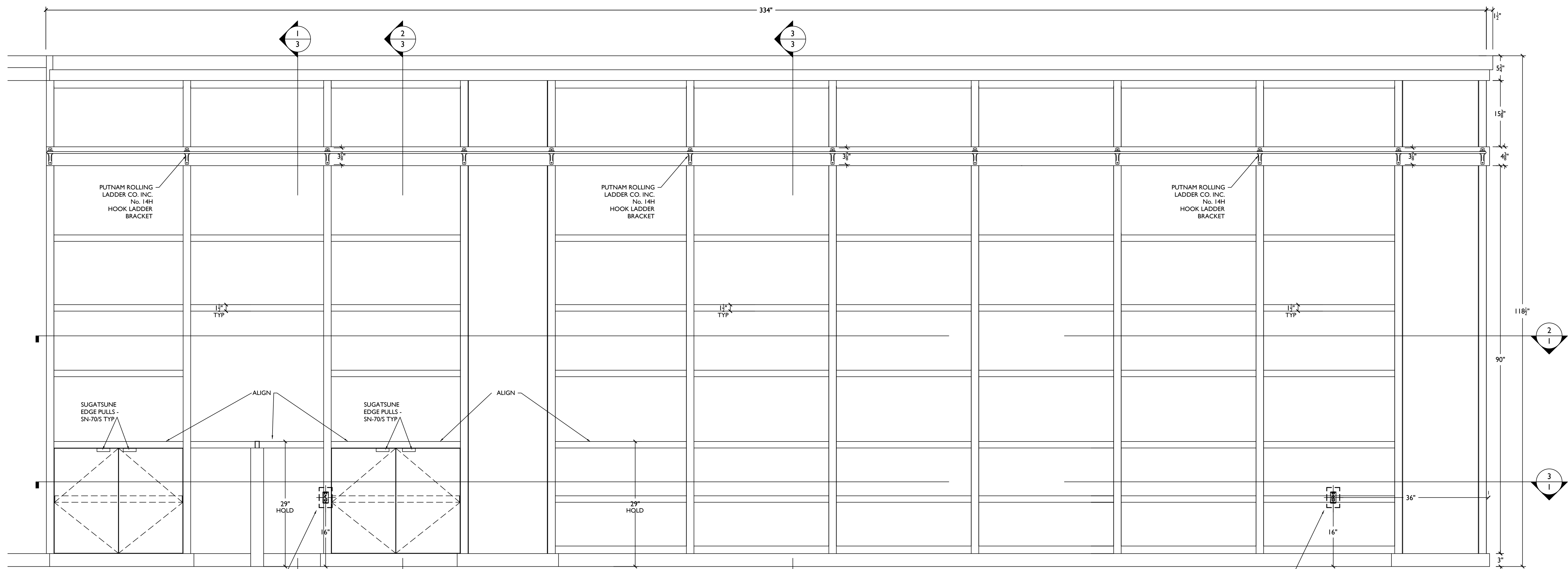
1
1
KEY ELEVATION
SCALE: NONE



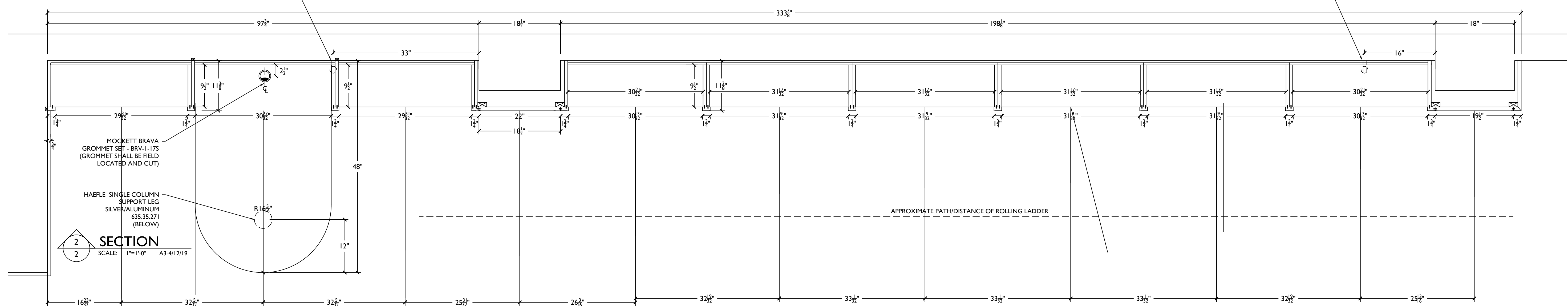
APPROXIMATE PATH/DISTANCE OF ROLLING LADDER

2
1
KEY PLAN
SCALE: NONE

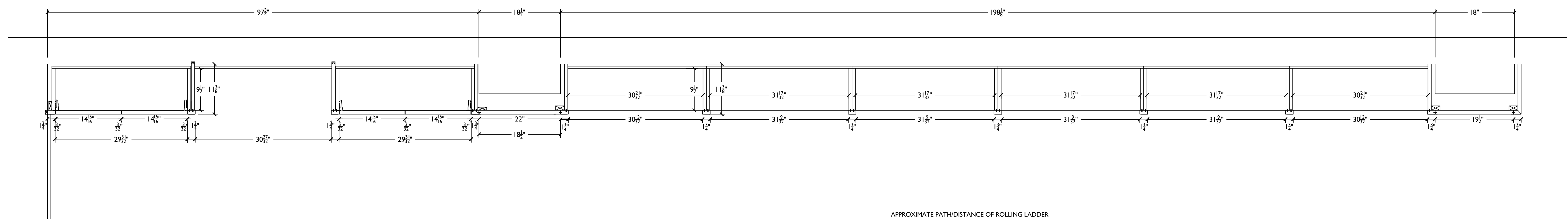
APPROXIMATE PATH/DISTANCE OF ROLLING LADDER



1
2
ELEVATION
SCALE: 1"=1'-0" A3-4/12/19

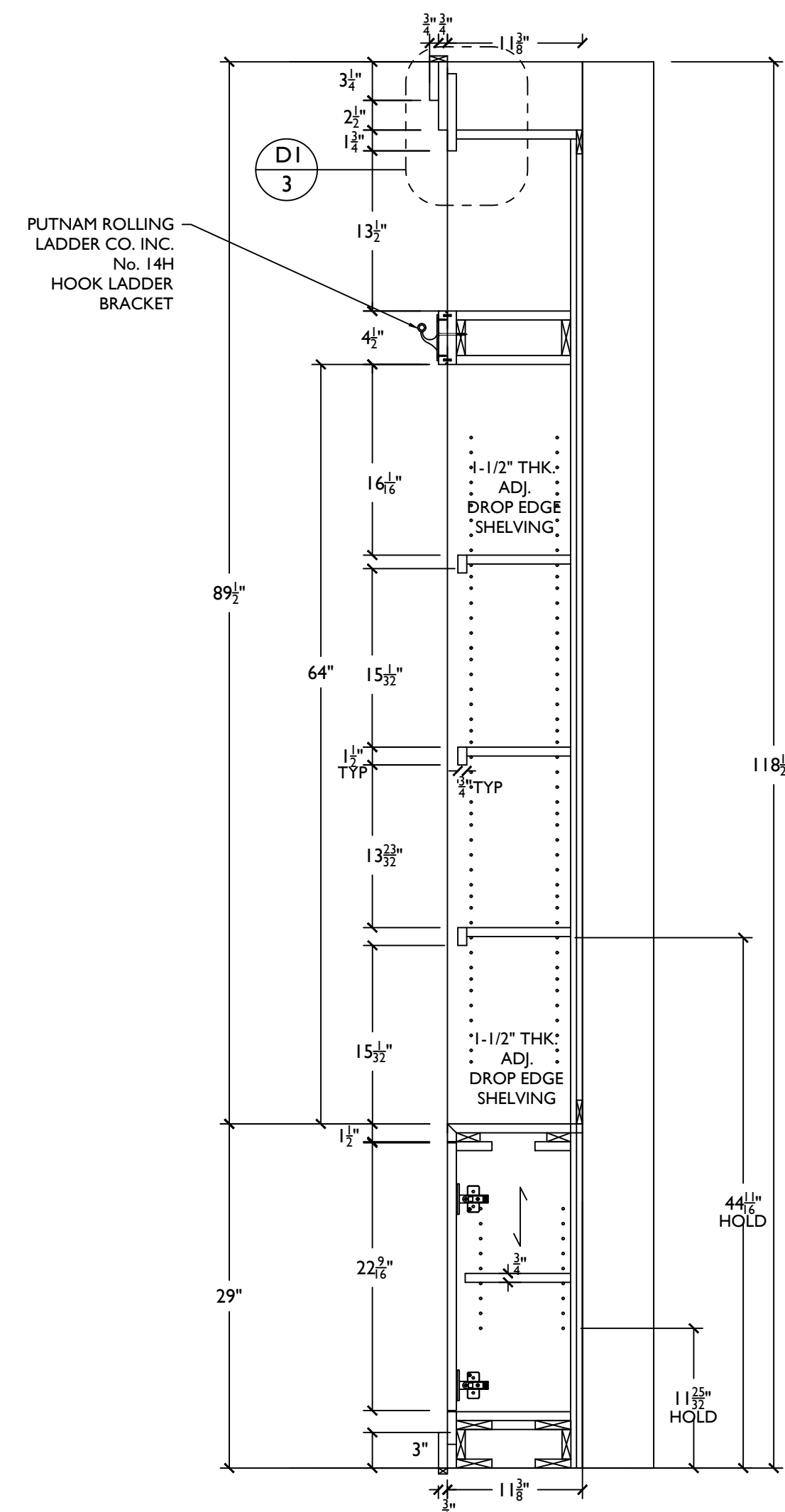


2
2
SECTION
SCALE: 1"=1'-0" A3-4/12/19

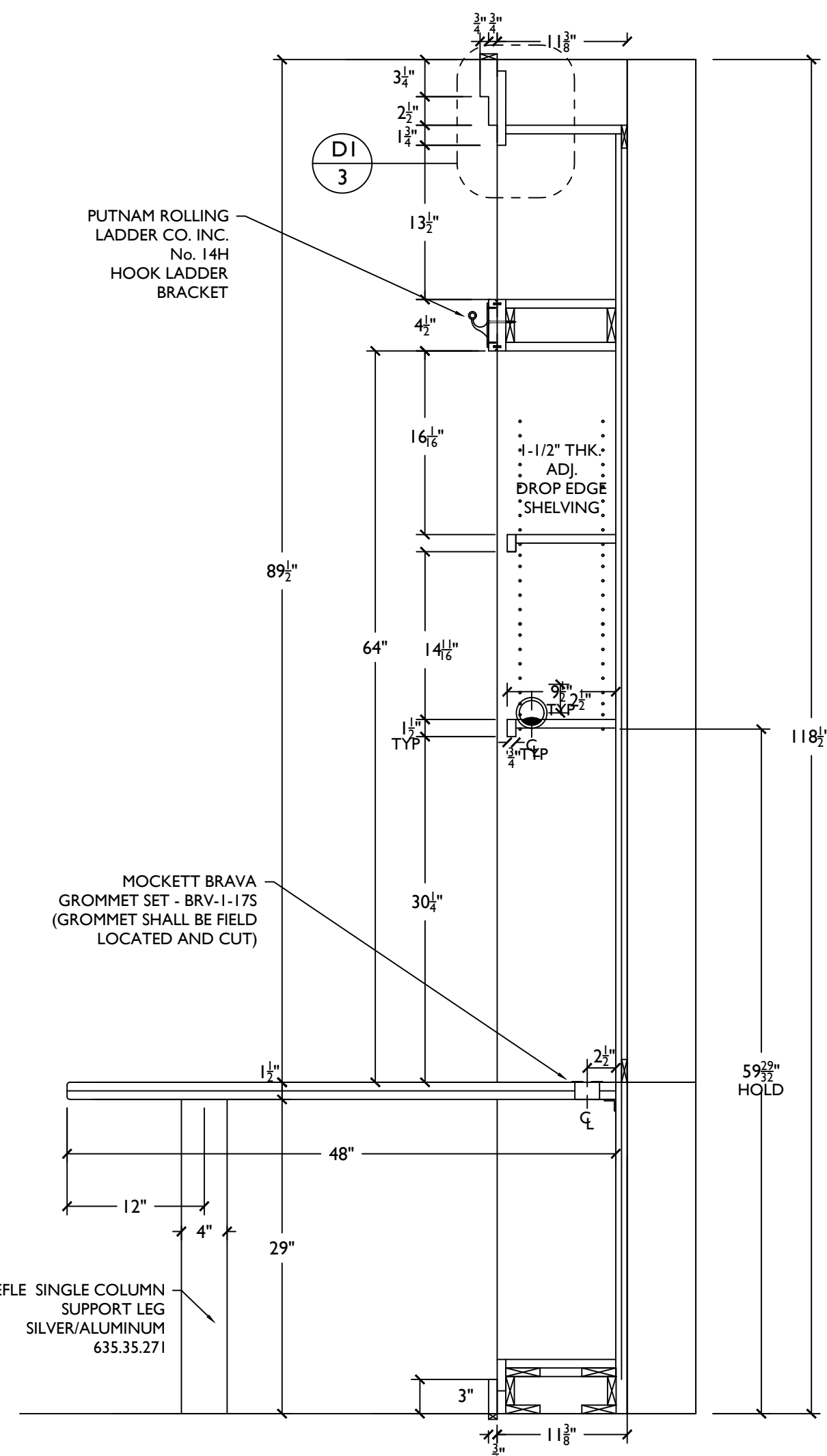


3
2
SECTION
SCALE: 1"=1'-0" A3-4/12/19

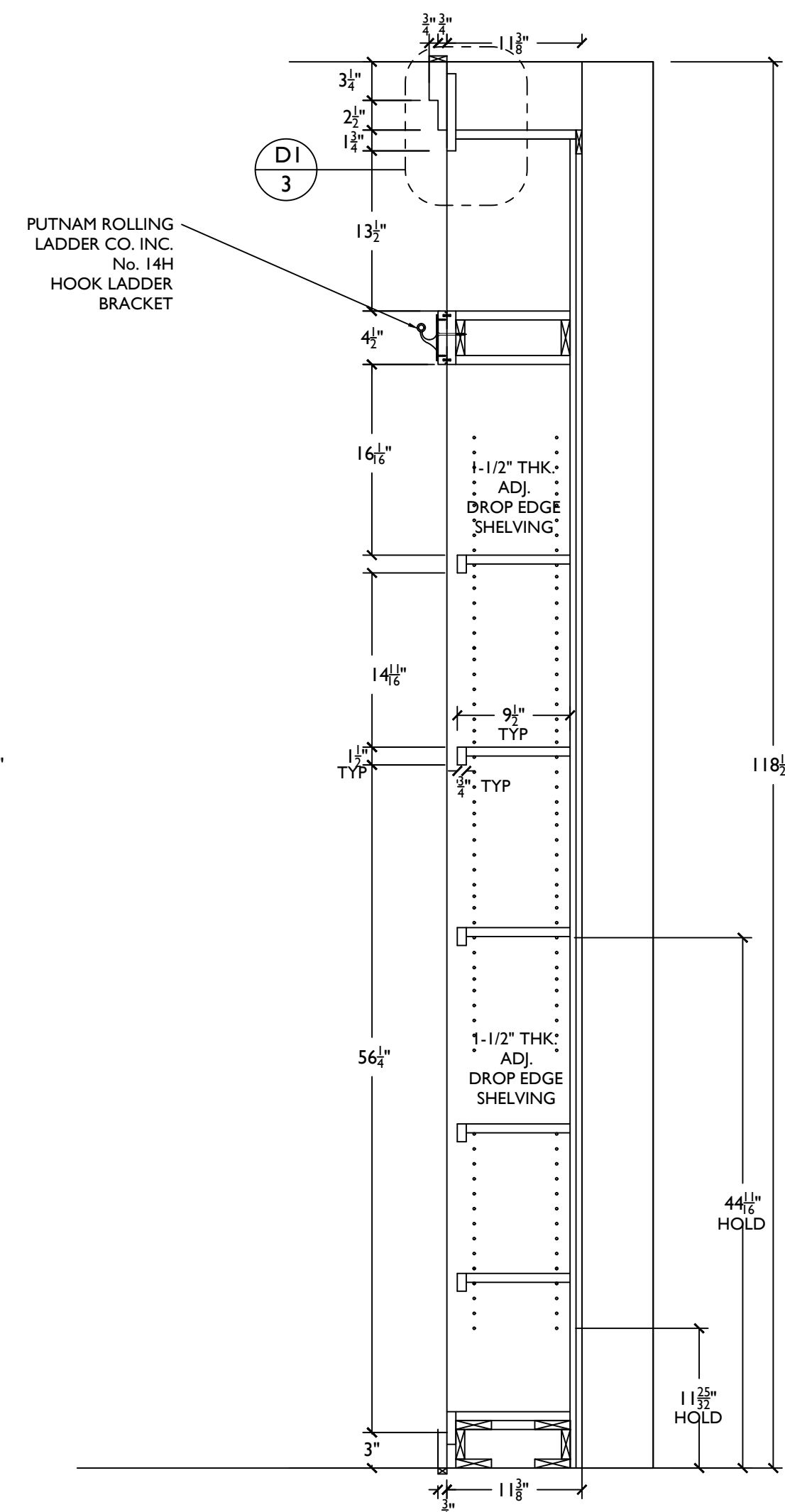
FINISHES:
EXTERIOR : SHOP PAINT - BEN-MOORE - O.C.17 DOVE WHITE, OR E.Q.
INTERIOR : NATURAL MAPLE - CLEAR FINISH.



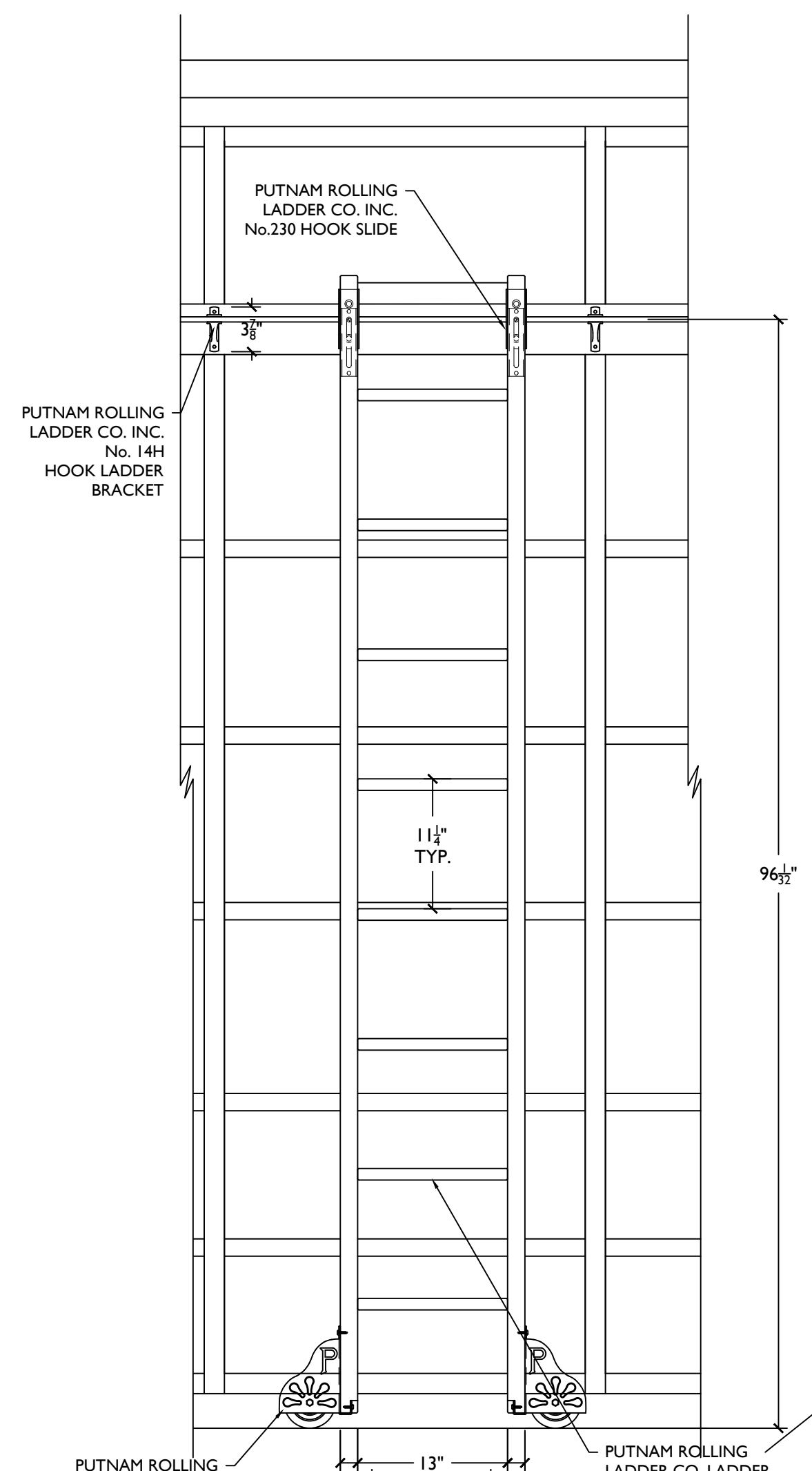
SECTION 1
SCALE: 1"=1'-0" A3-4/12/19



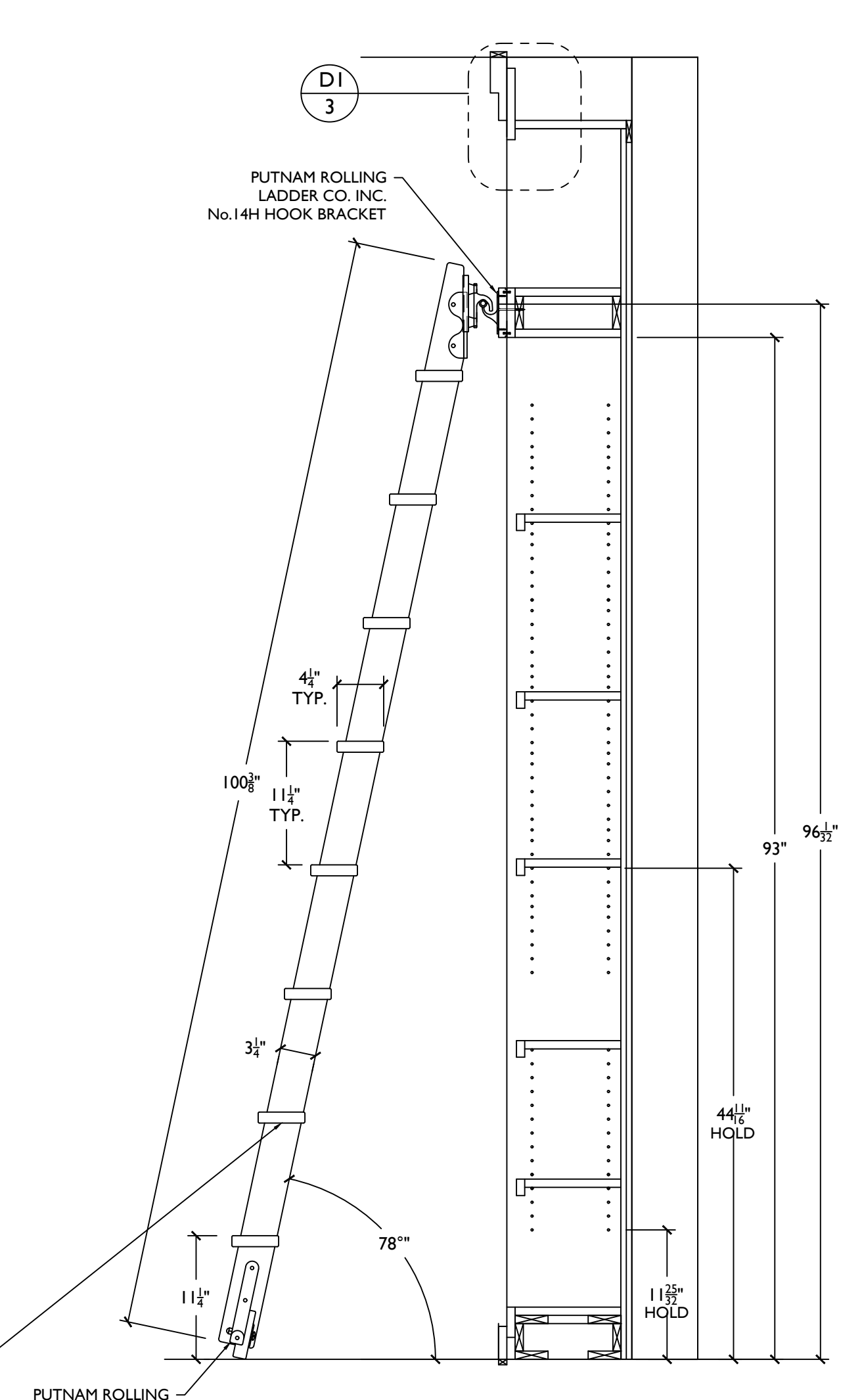
SECTION 2
SCALE: 1"=1'-0" A3-4/12/19



SECTION 3
SCALE: 1"=1'-0" A3-4/12/19

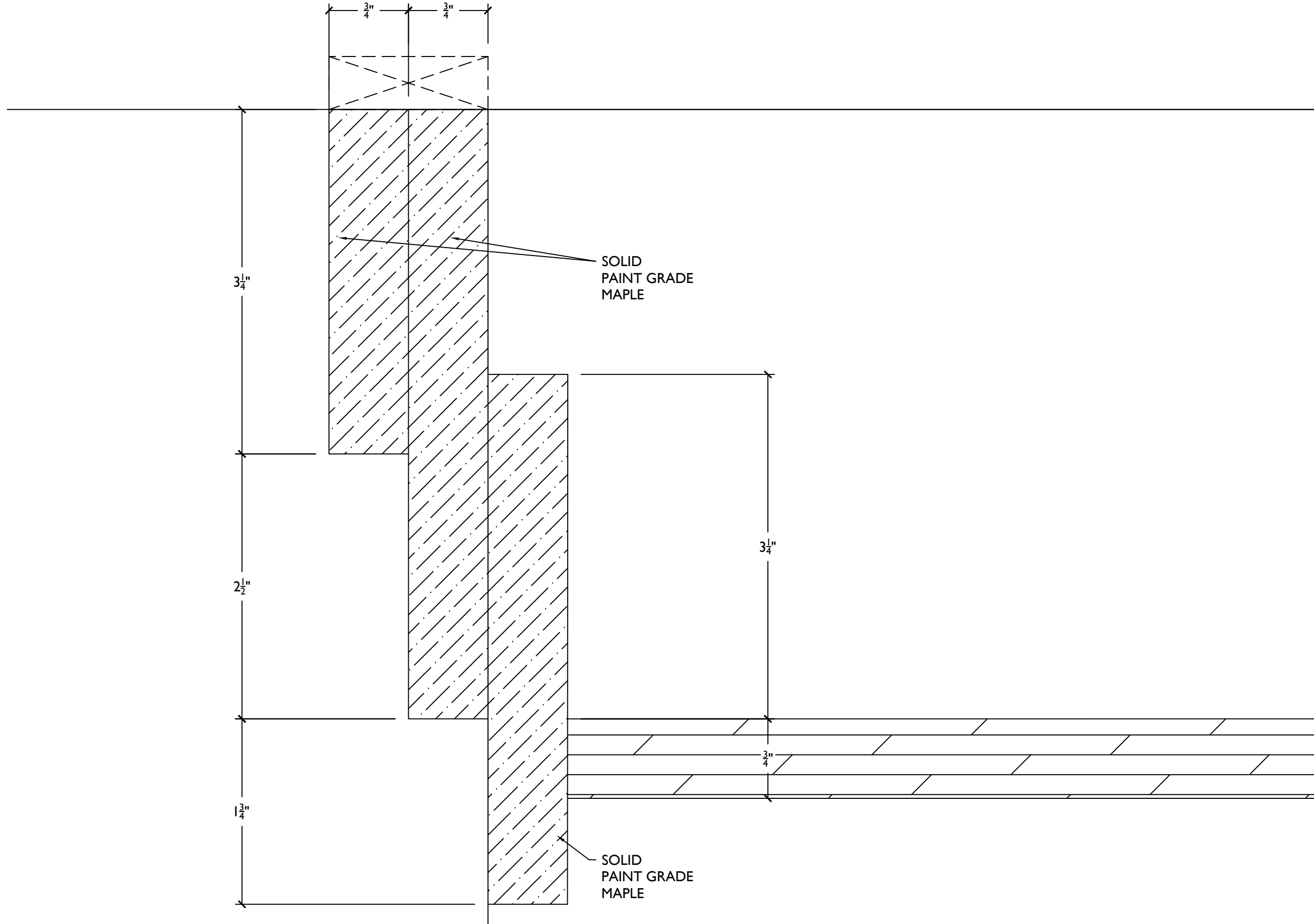


ROLLING LADDER ELEVATION 4
SCALE: 1"=1'-0" A3-4/12/19

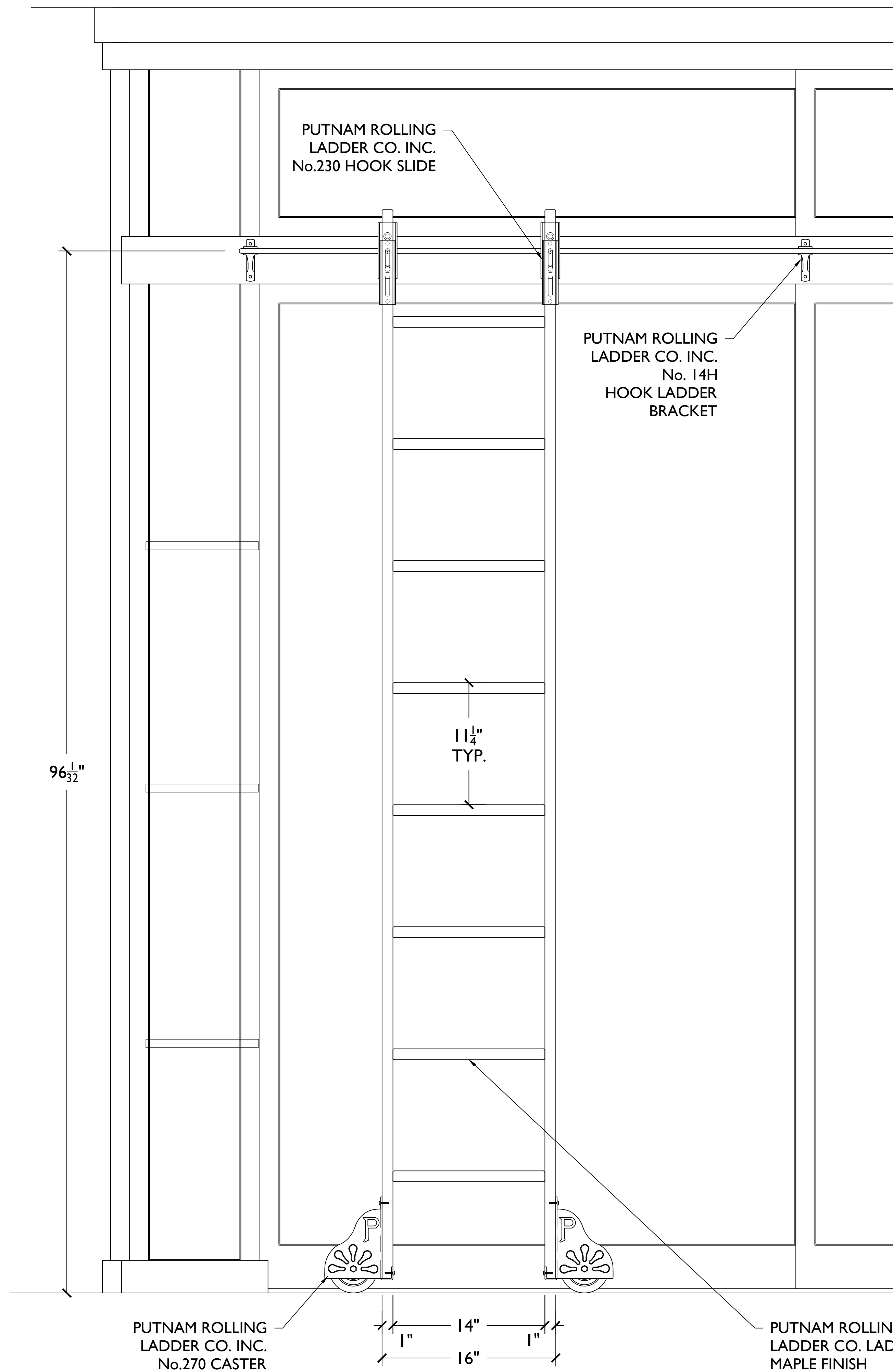


ROLLING LADDER SECTION 5
SCALE: 1"=1'-0" A3-4/12/19

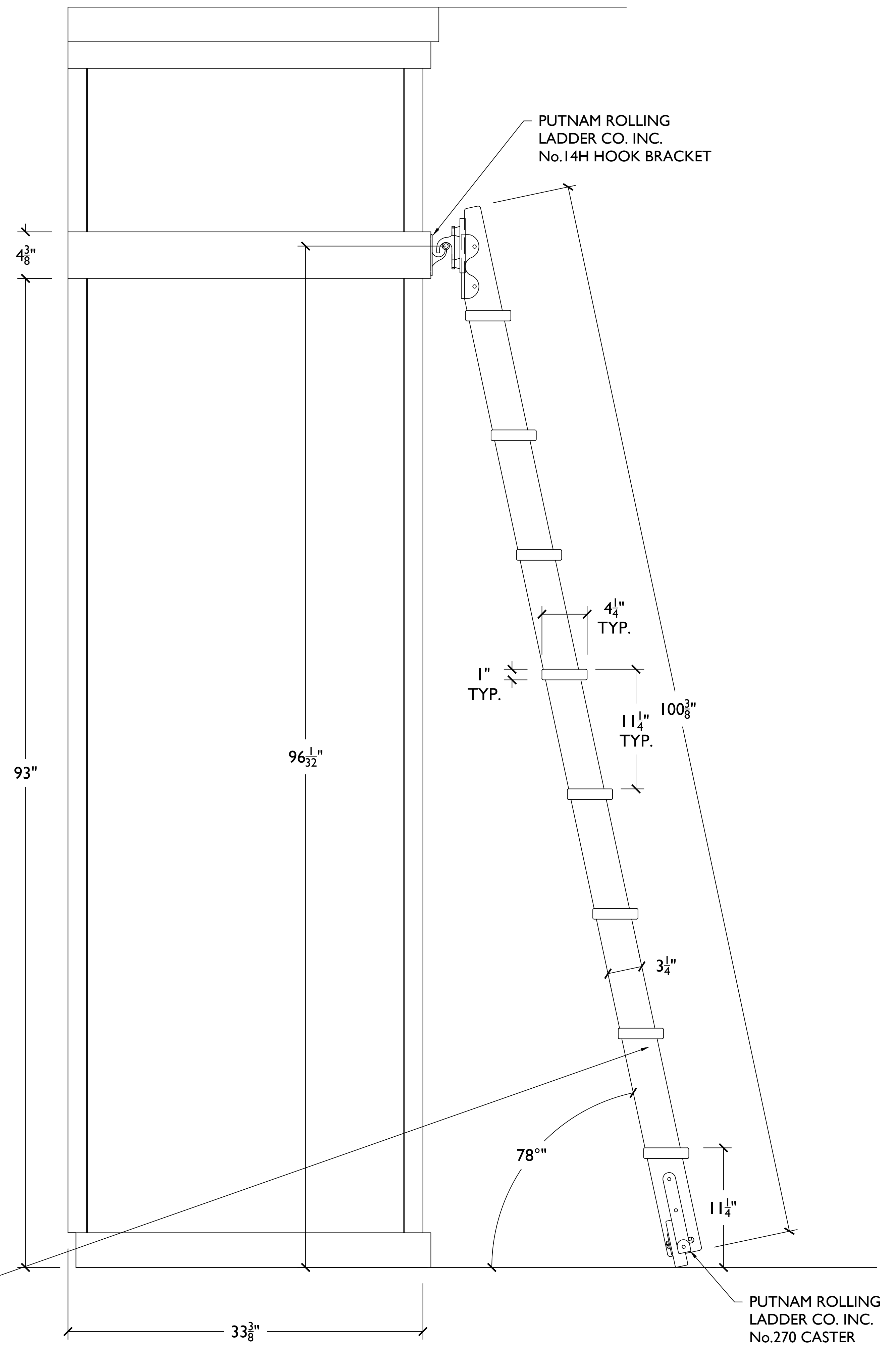
FINISHES:
EXTERIOR: SHOP PAINT - BEN-MOORE - O.C.17 DOVE WHITE, OR E.Q.
INTERIOR: NATURAL MAPLE - CLEAR FINISH.



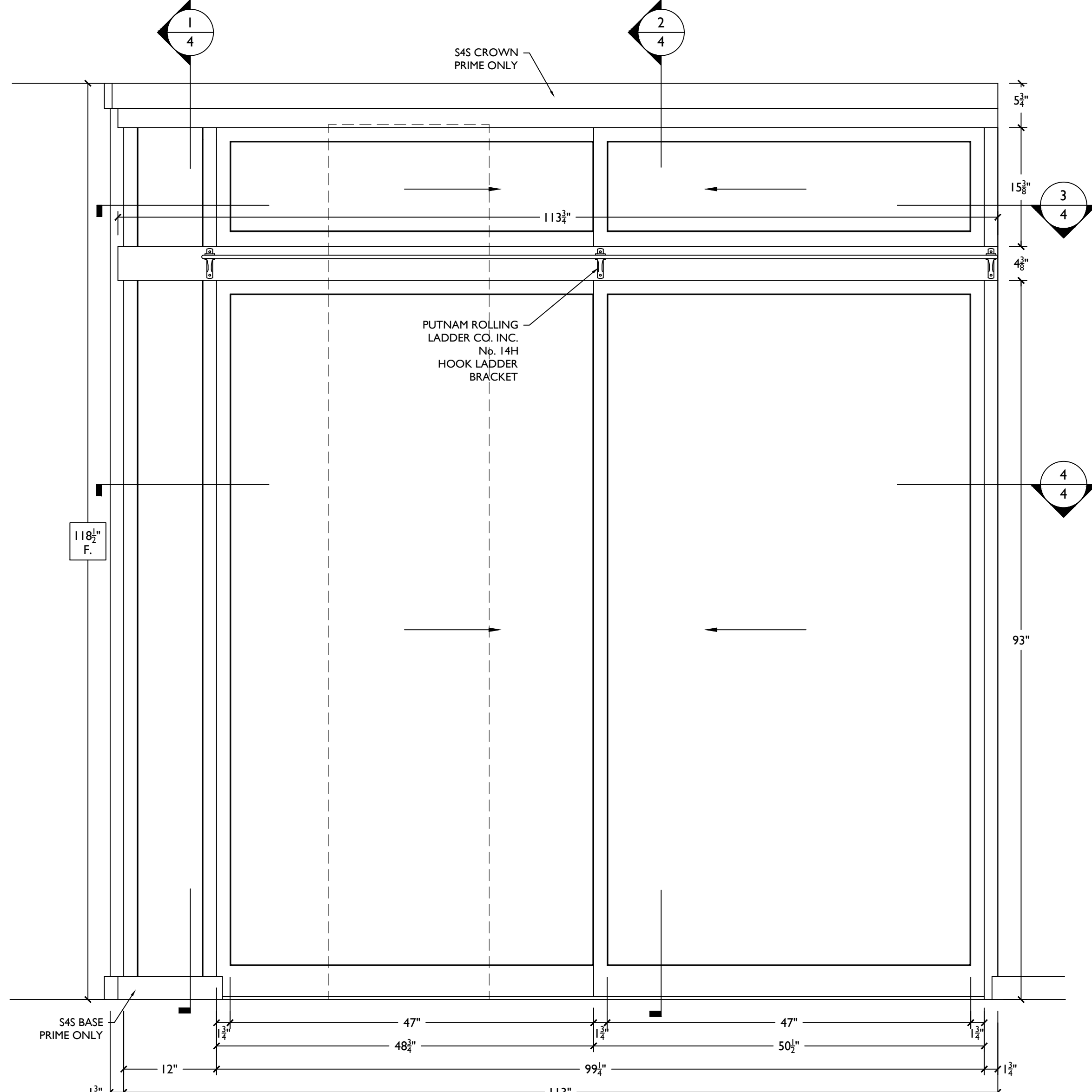
DETAIL - CROWN
SCALE: FULL



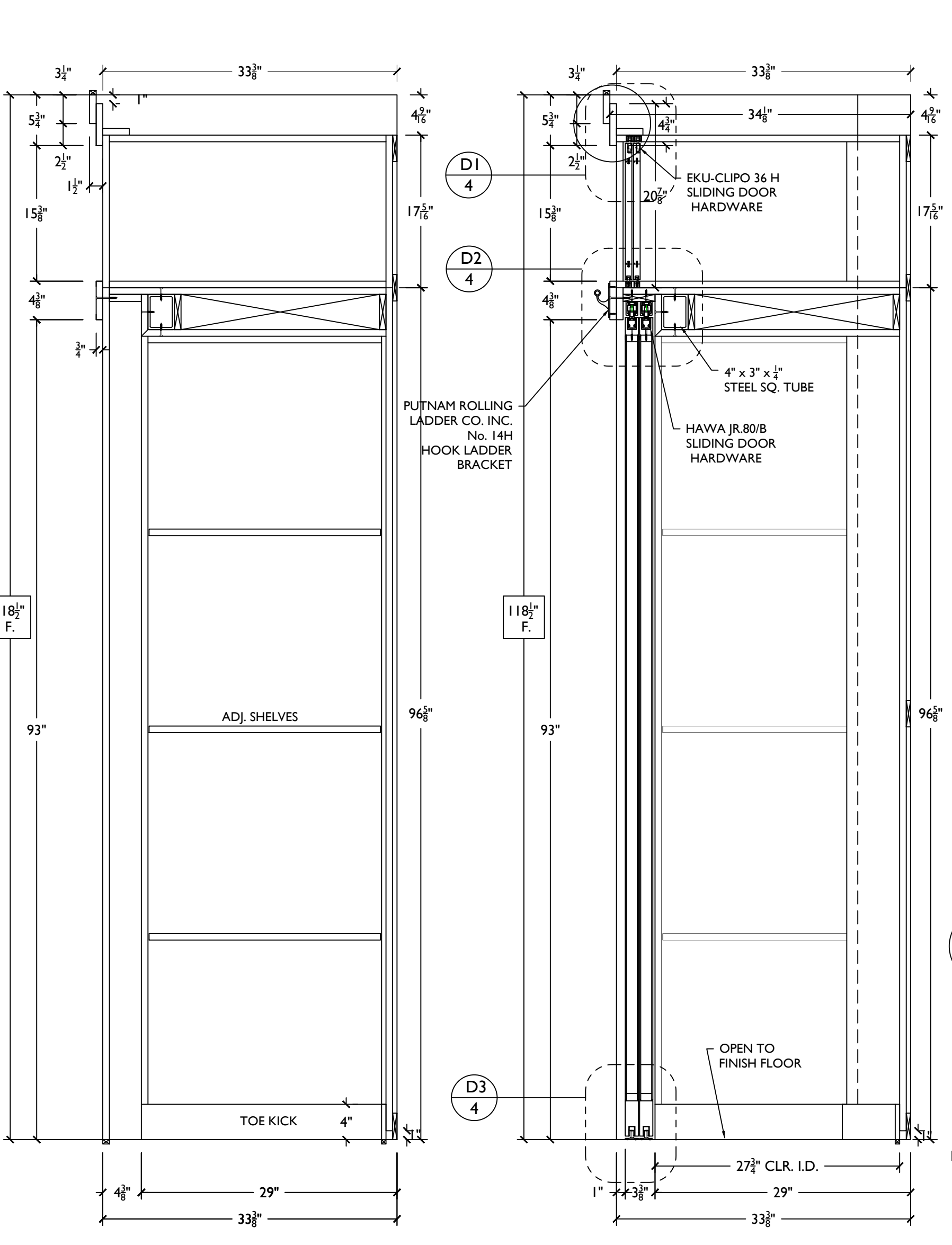
B
5
ELEVATION - ROLLING LADDER
SCALE: 1"=1'-0"



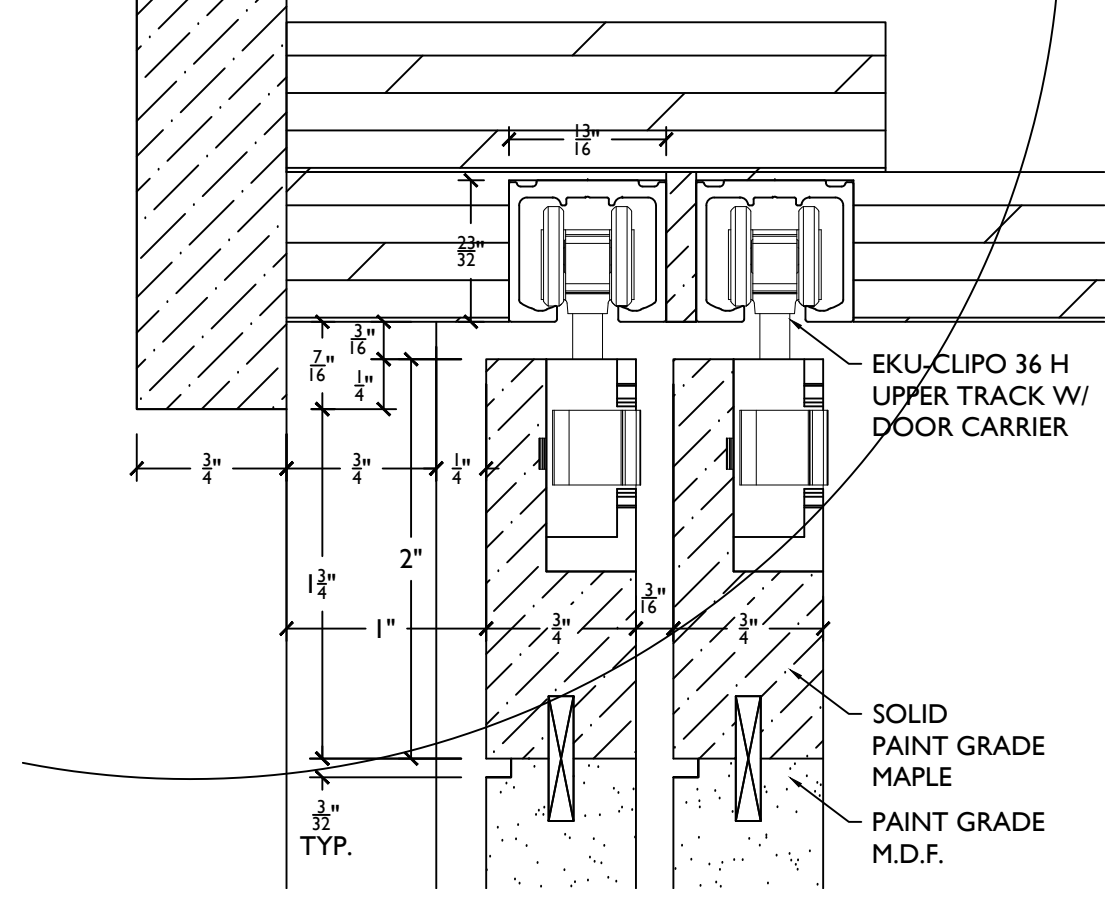
C
5
ELEVATION
SCALE: 1"=1'-0"



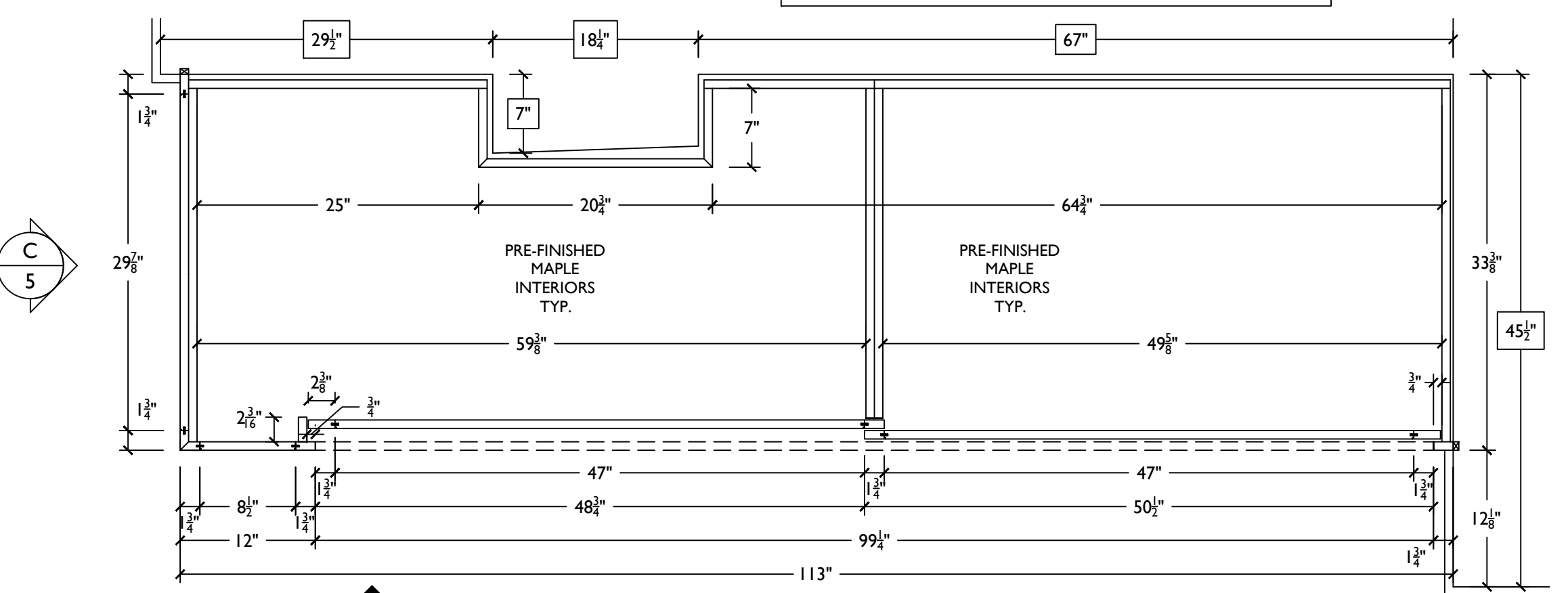
ELEVATION
SCALE: 1"=1'-0"
FINISHES:
EXTERIOR: SHOP PAINT - BEN-MOORE - O.C.17 DOVE WHITE, OR E.Q.
INTERIOR: NATURAL MAPLE - CLEAR FINISH.



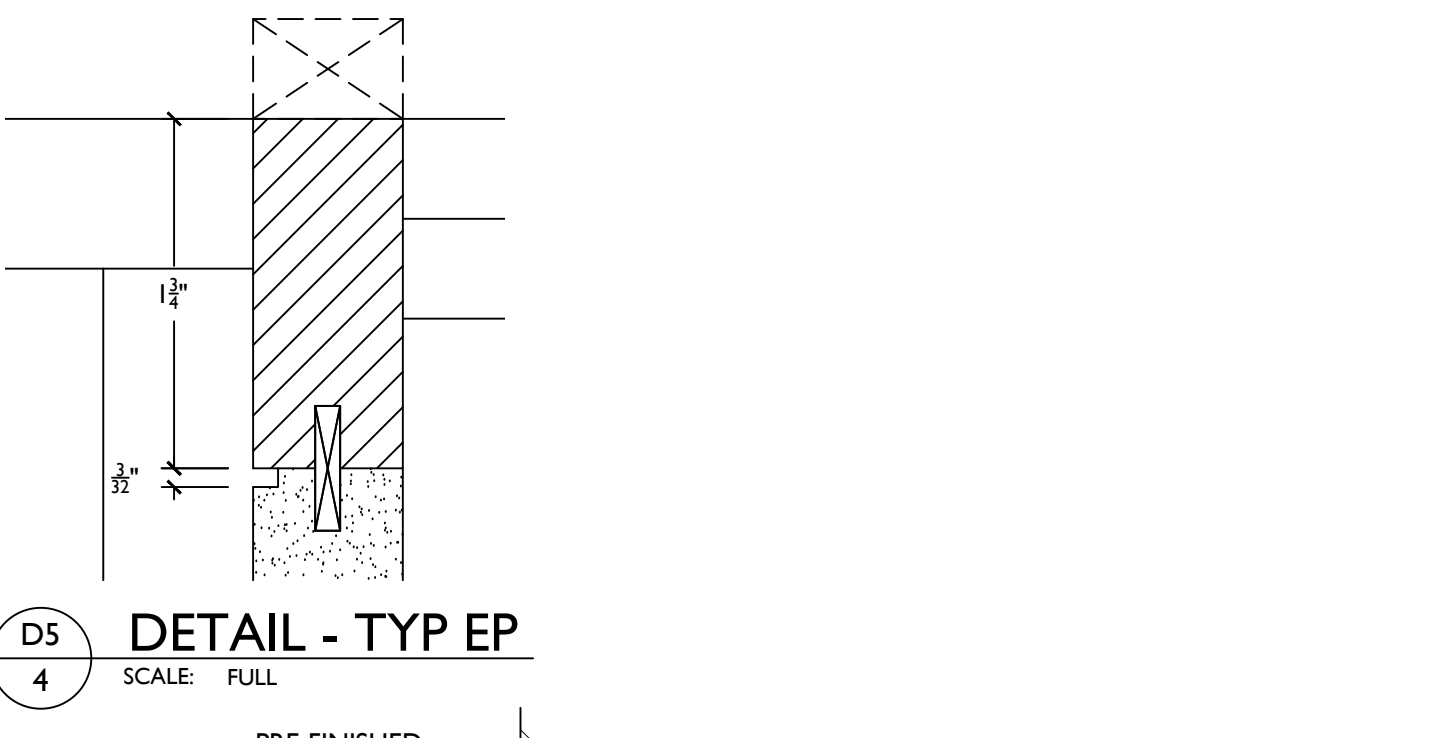
SECTION
SCALE: 1"=1'-0"



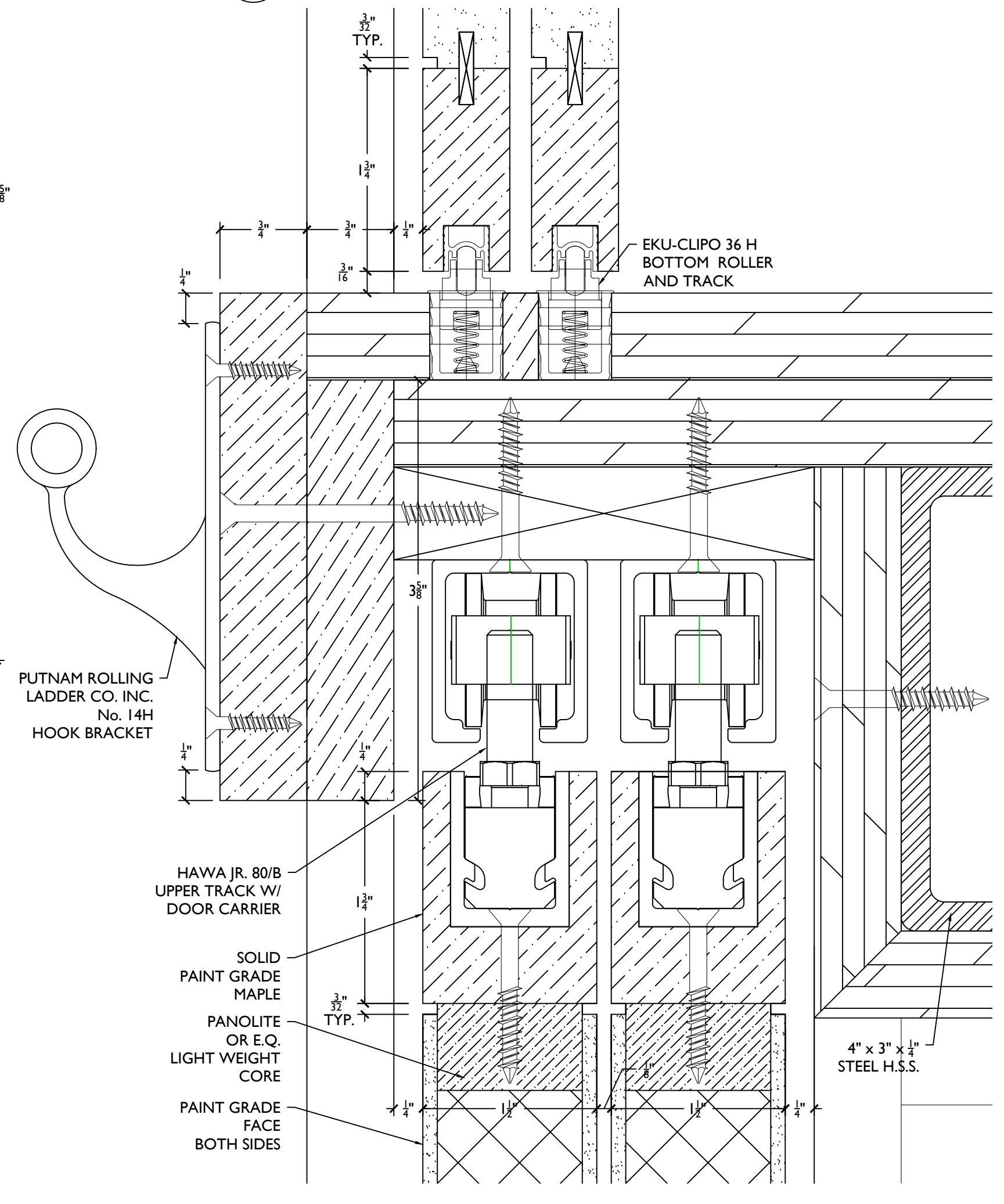
D1
SCALE: FULL
DETAIL - UPPER SLIDING DOOR



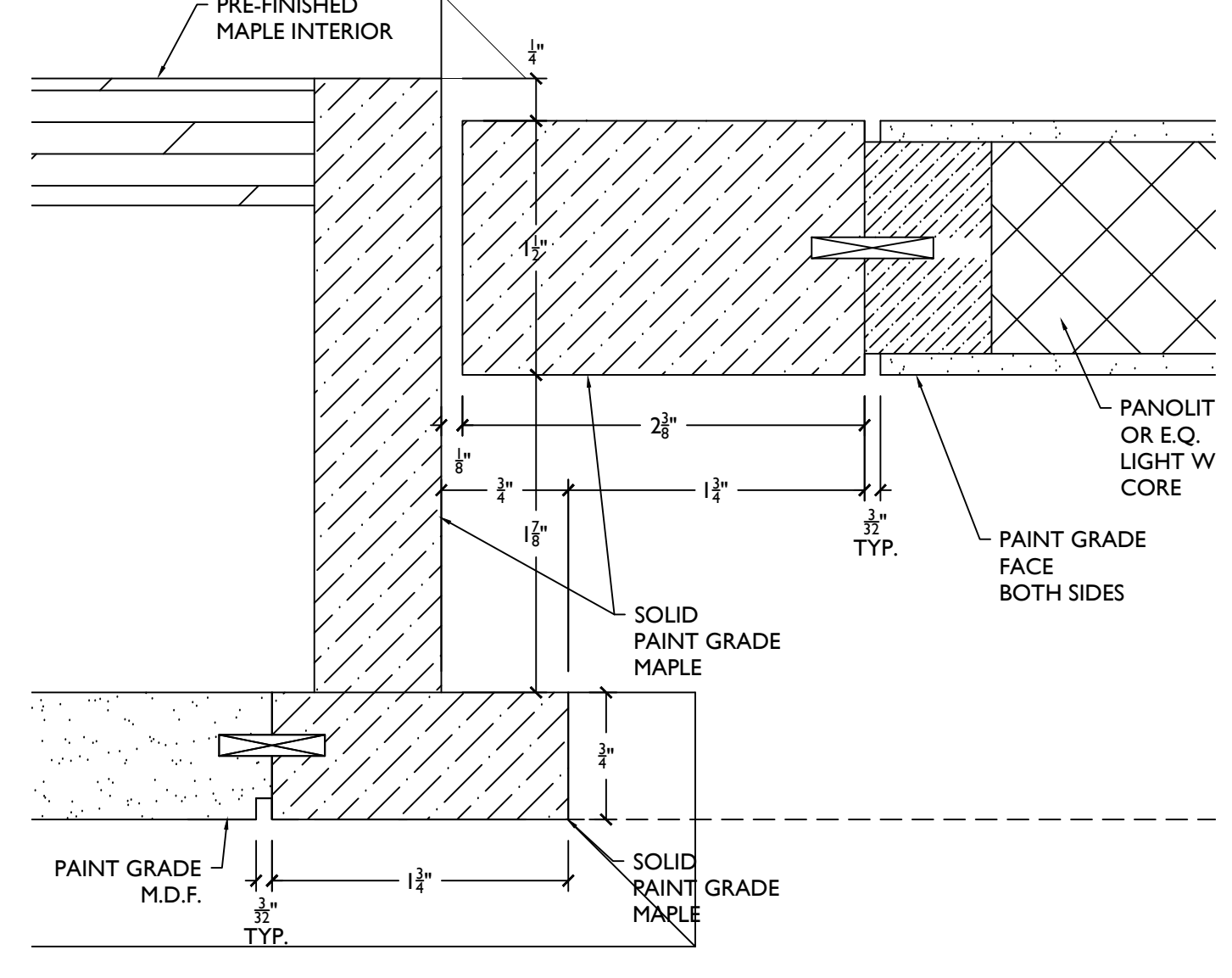
PLAN SECTION
SCALE: 1"=1'-0"



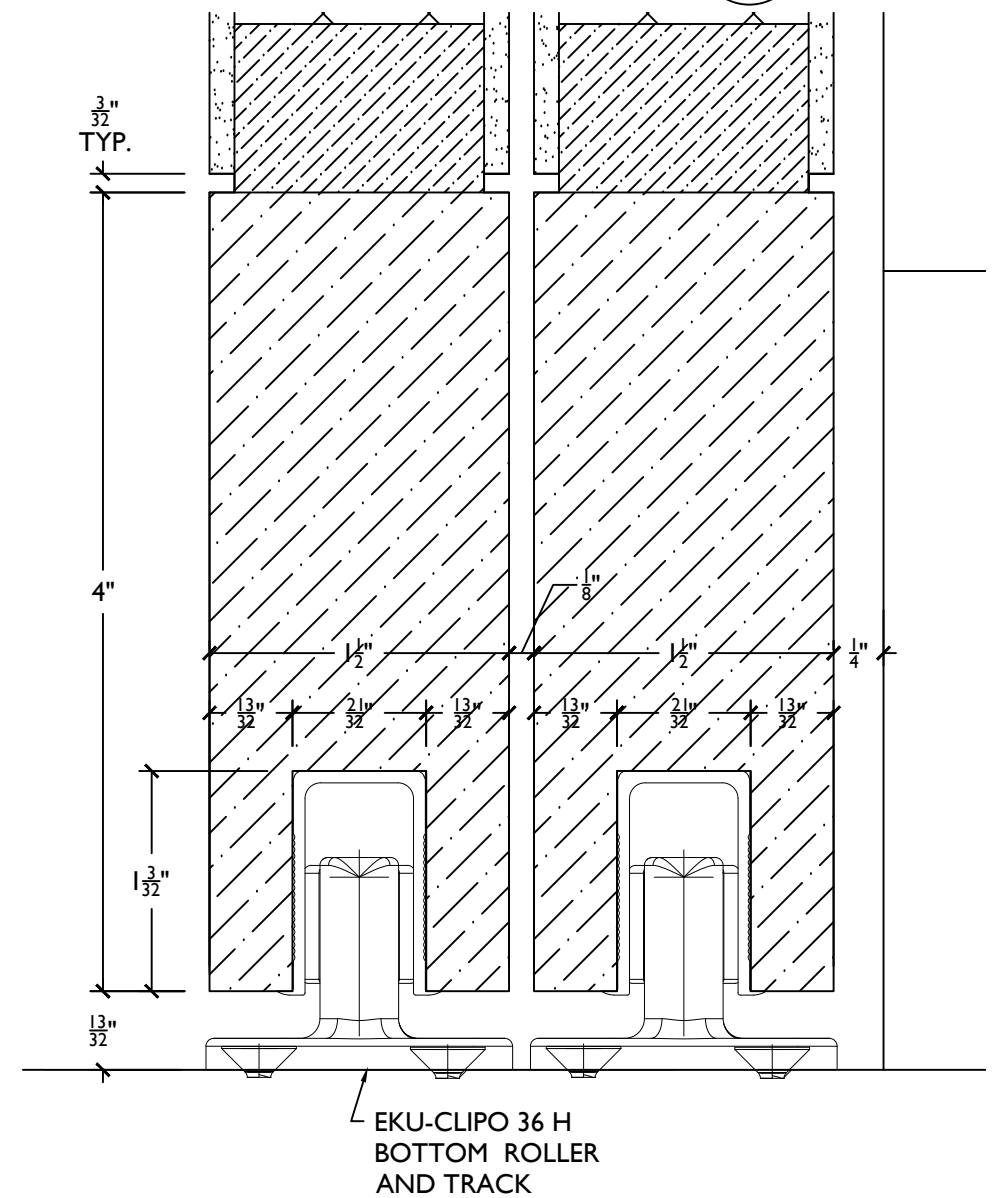
D5
SCALE: FULL
DETAIL - TYP EP



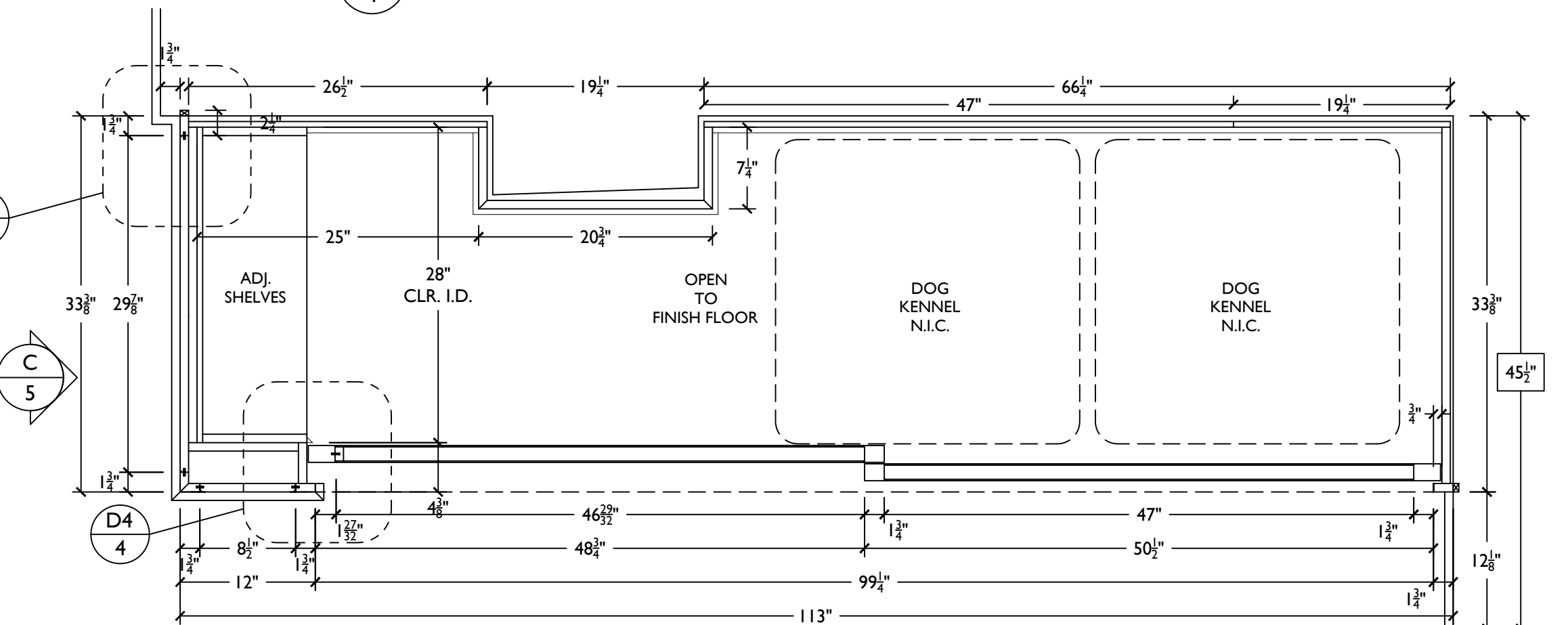
D2
SCALE: FULL
DETAIL - TALL SLIDING DOOR



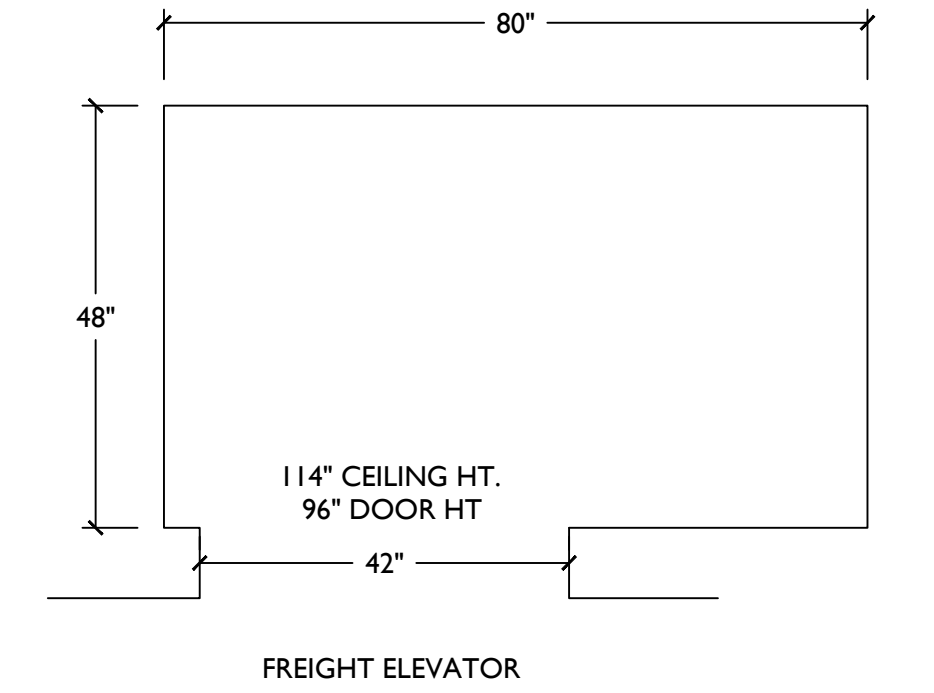
D4
SCALE: FULL
DETAIL - DOOR RETURN @ FLOOR



D3
SCALE: FULL
DETAIL - TALL SLIDING DOOR @ FLOOR



PLAN SECTION
SCALE: 1"=1'-0"



0
SCALE: NONE
FREIGHT ELEVATOR PLAN