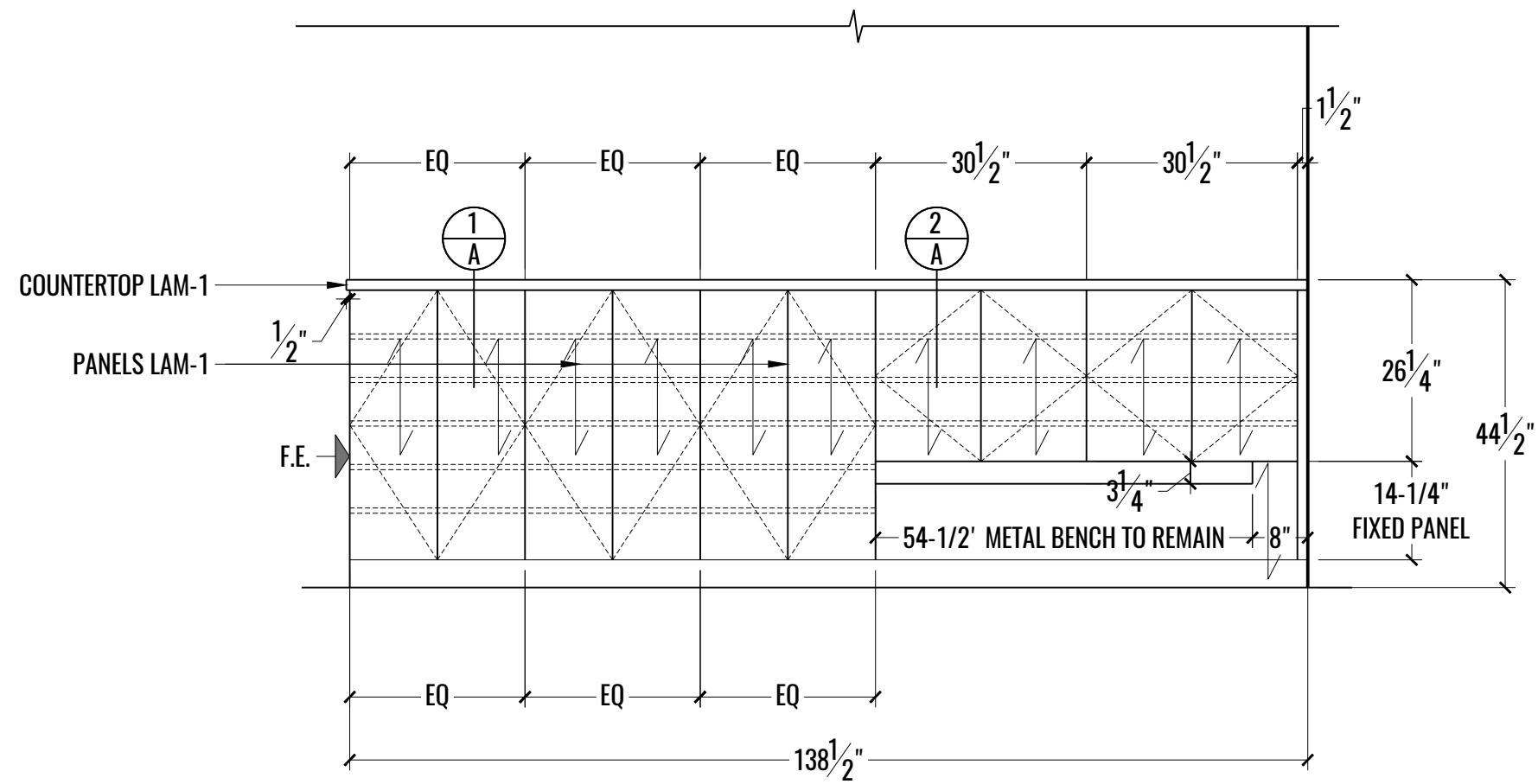
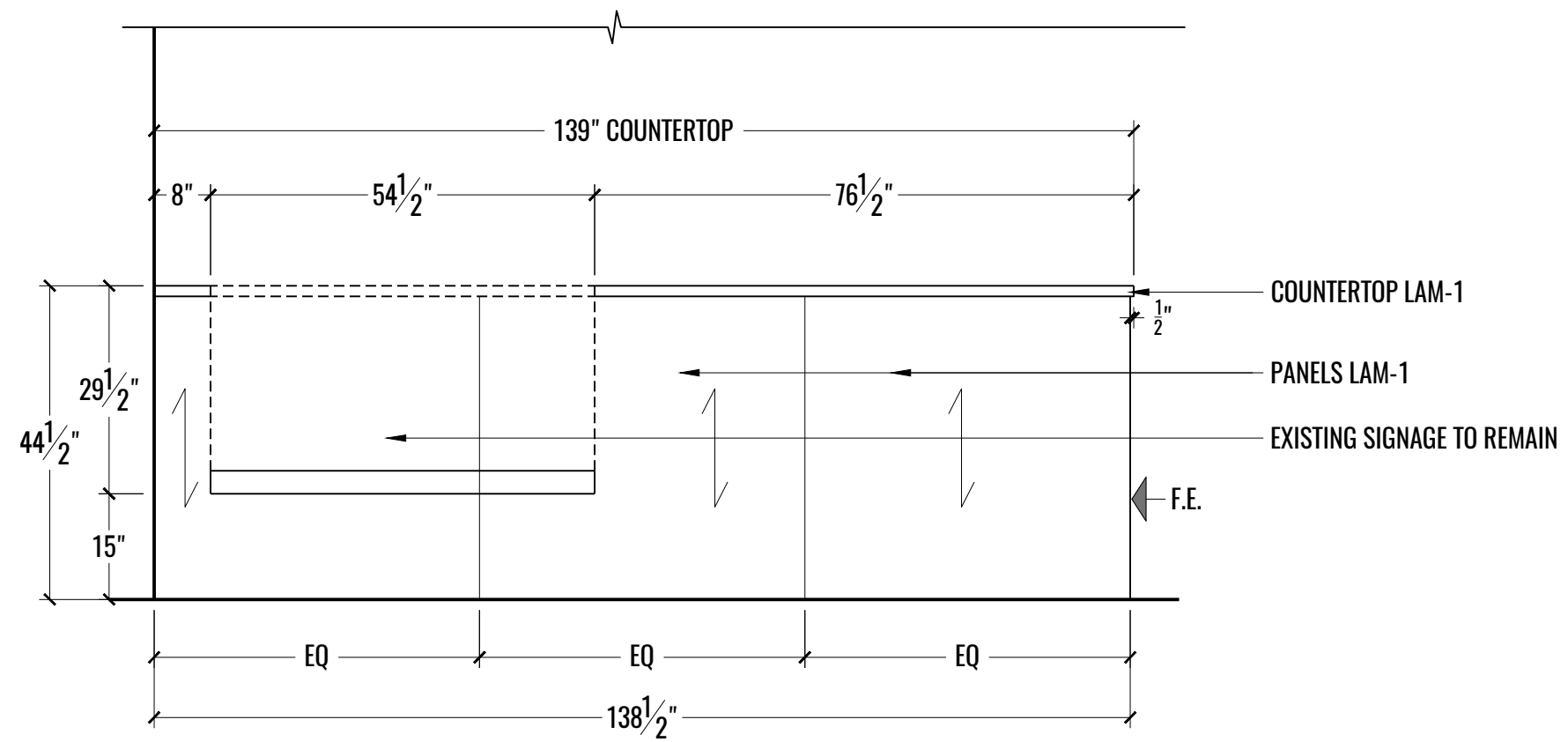


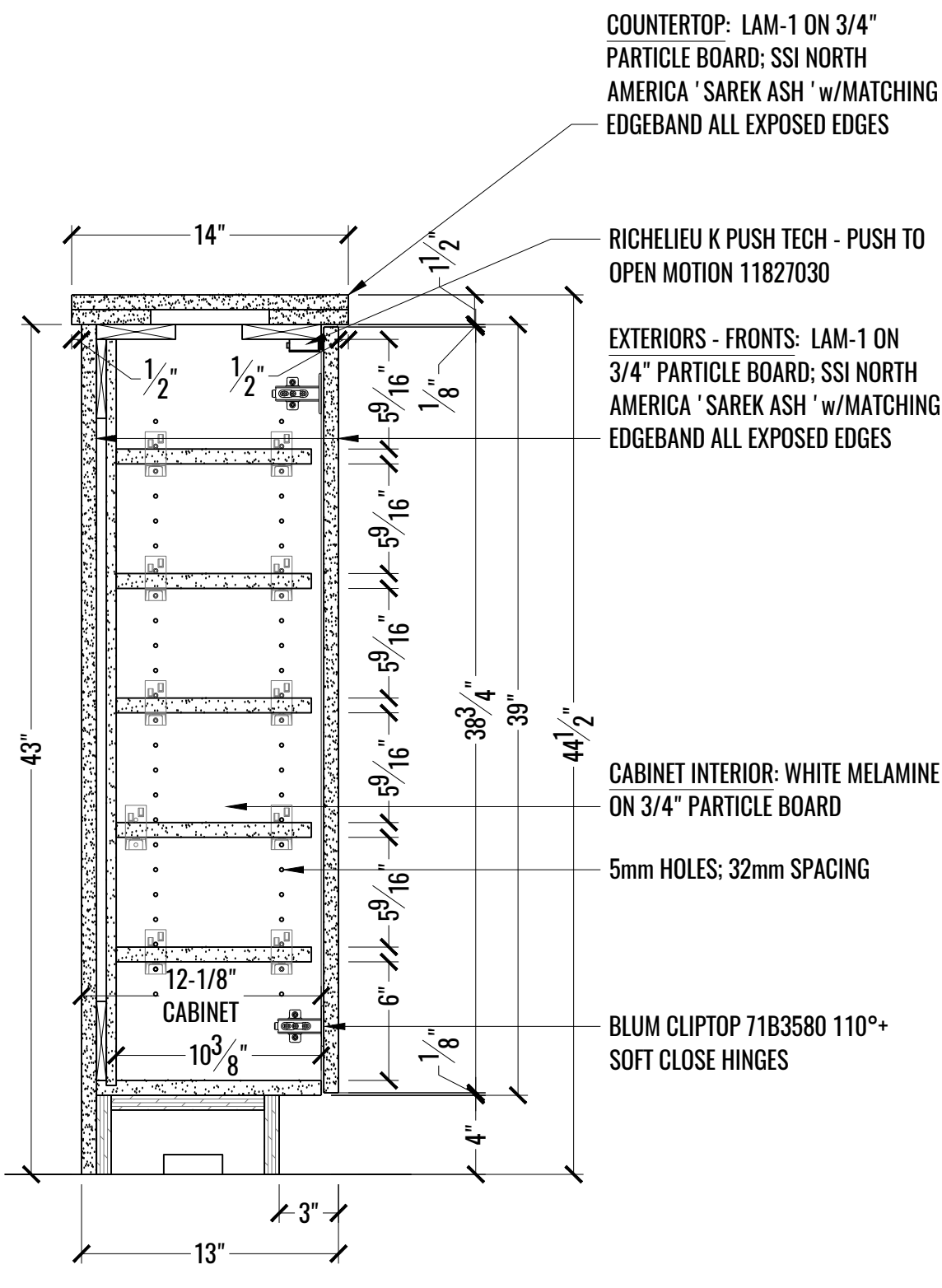
1 PLAN: TALL CABINET
1 SCALE: 1/2" = 1'-0"



1 ELEVATION: TALL CABINET (BACK)
 2 SCALE: 1/2" = 1'-0"

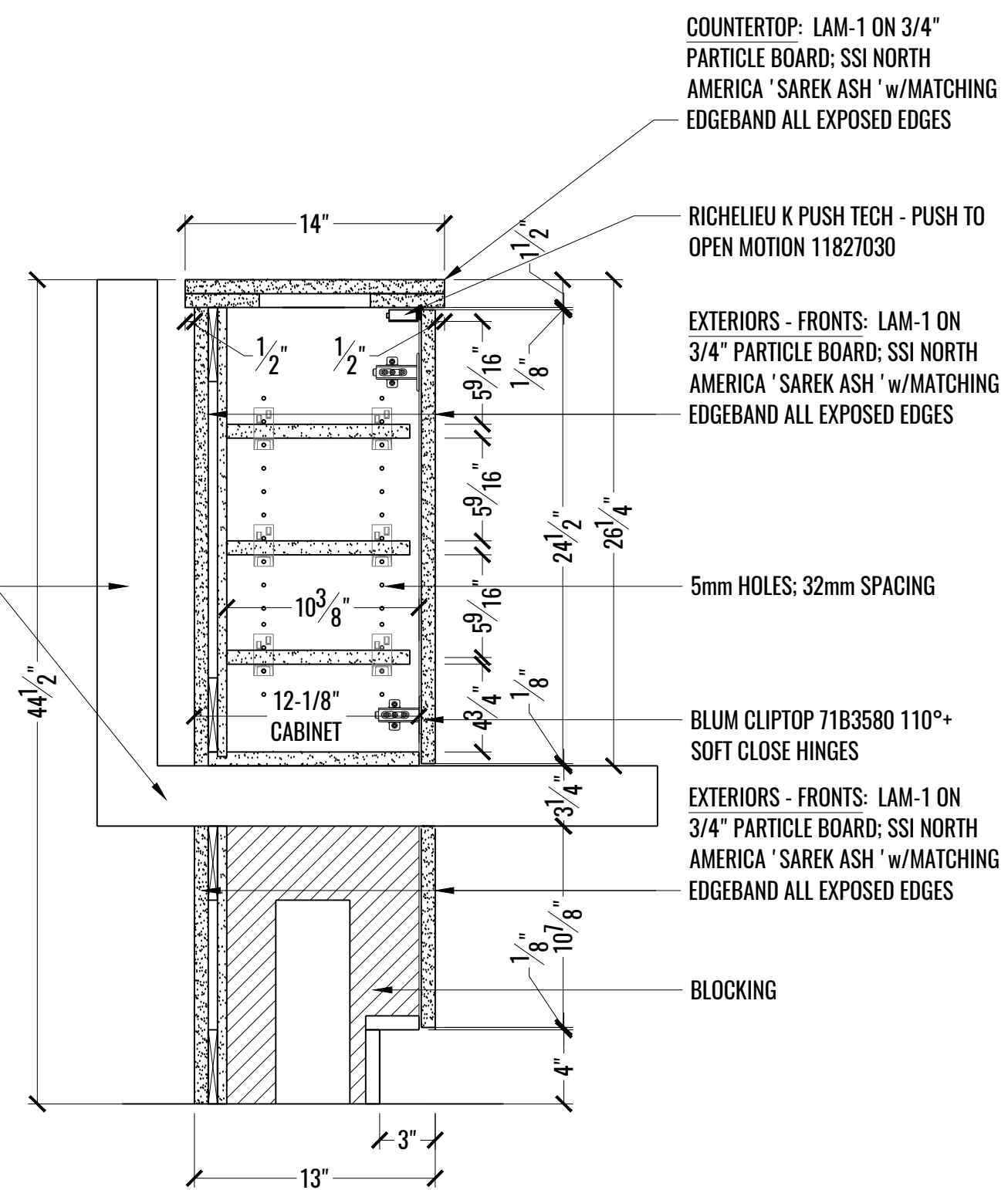


1
3 ELEVATION: TALL CABINET (FRONT)
SCALE: 1/2" = 1'-0"



1 SECTION: FULL TALL CABINET
A SCALE: 1-1/2" = 1'-0"

EXISTING METAL SIGNAGE & BENCH TO REMAIN



2 SECTION: CABINET @ EXISTING SIGNAGE & BENCH
A SCALE: 1-1/2" = 1'-0"