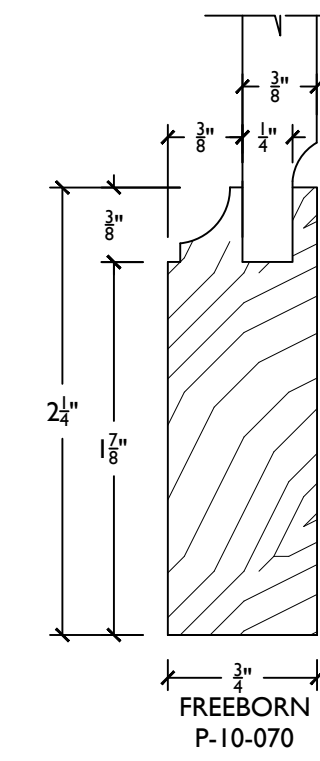


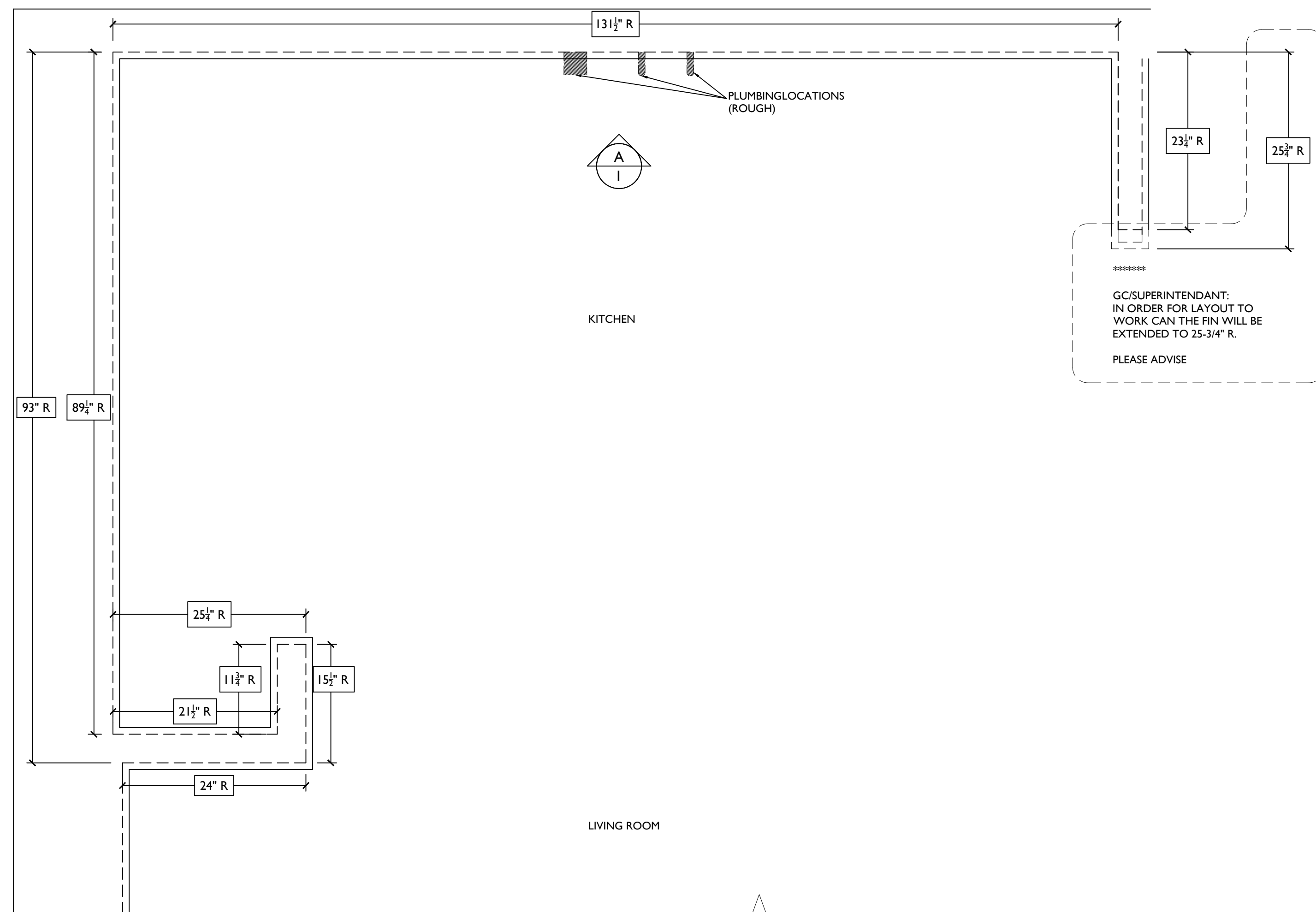
ELEVATION - 3RD FL KITCHEN (WET WALL-ROUGH MEASUREMENTS) RM# 305
 SCALE: 1"=1'-0" 2/A-2



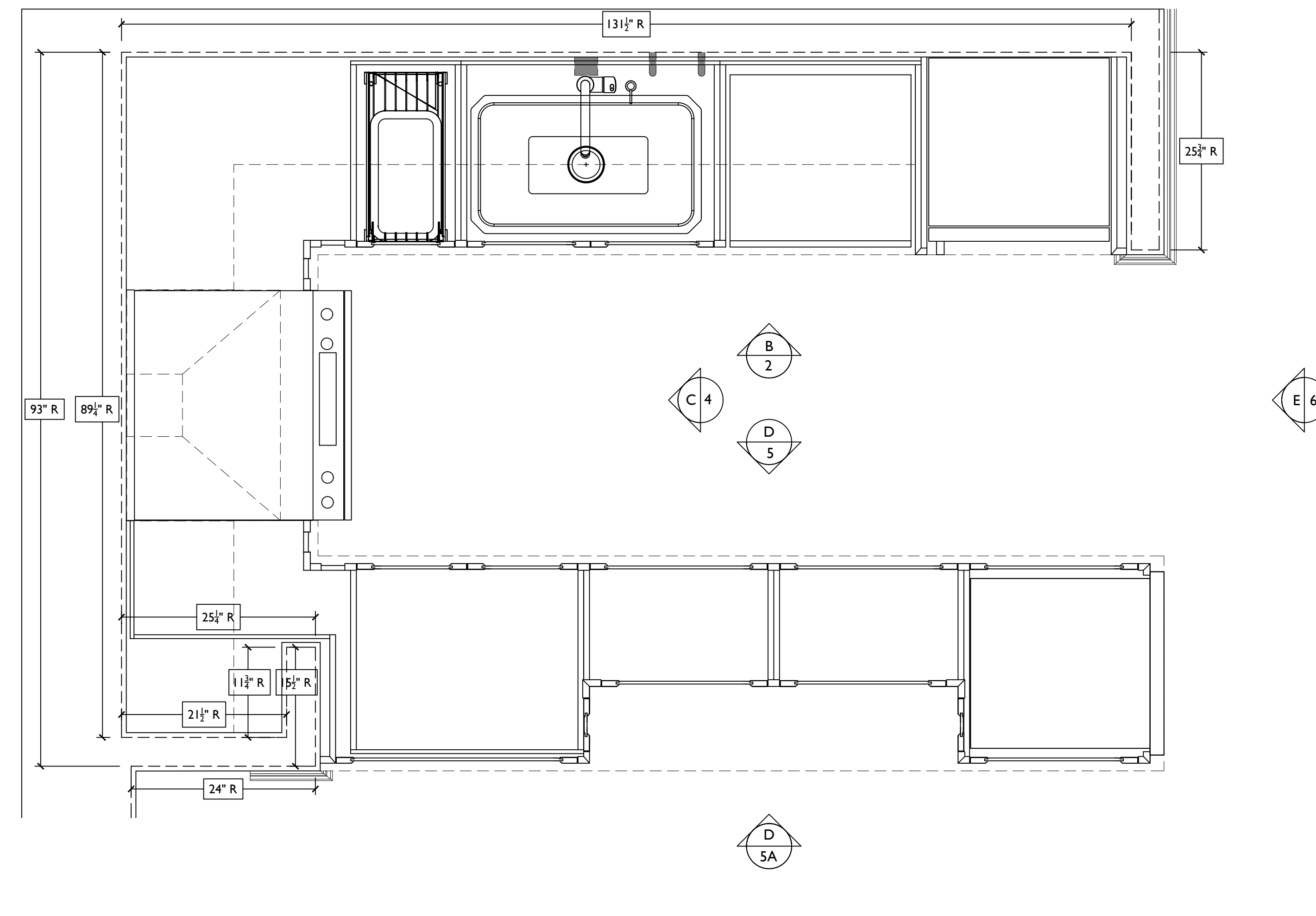
D1 **DETAIL - DOOR PROFILE**
 SCALE: FULL

FINISHES:
 EXTERIOR: SHOP FINISHED PAINT GRADE
 INTERIORS: 1/2" SOLID MAPLE INTERIORS (CLEAR FINISH)

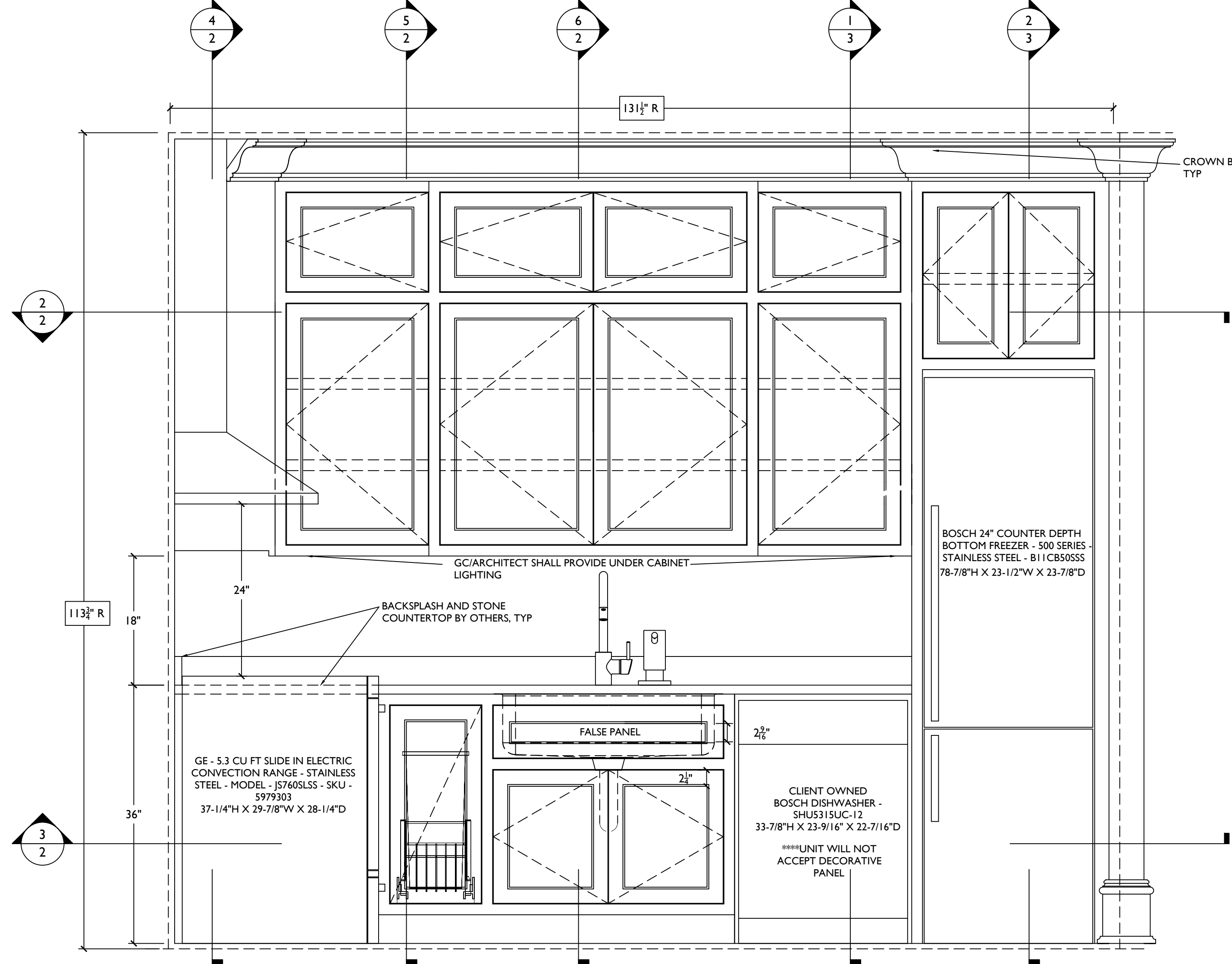
NOTES:
 GC OR ARCHITECT SHALL PROVIDE THE FOLLOWING:
 - ALL HARDWARE SPECIFICATIONS AND LOCATIONS
 - ROUGH EXTENSION OF FIN WALL
 - UNDERCOUNTER LIGHTING SPECIFICATION
 - UNDER CABINET LIGHTING SPECIFICATION



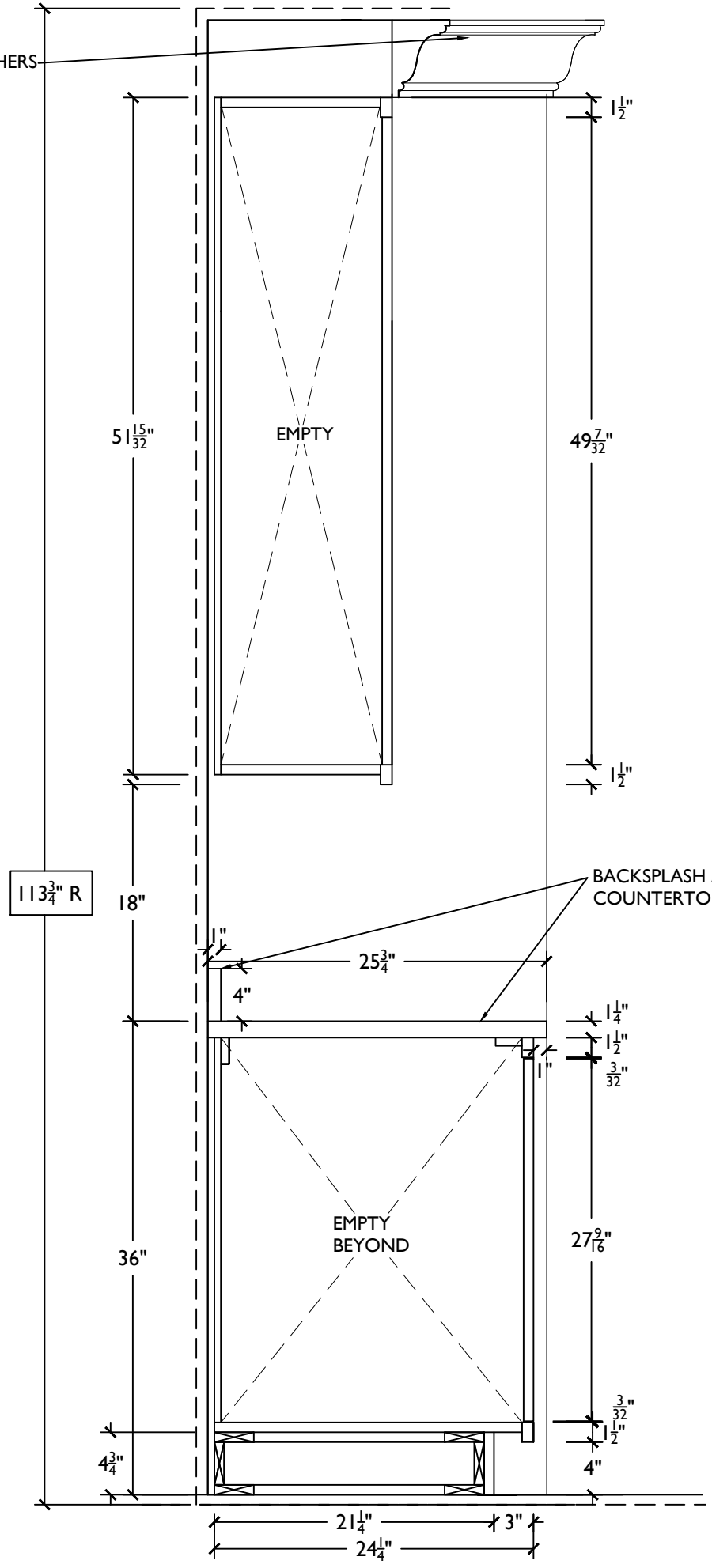
1 **PLAN - 3RD FL KITCHEN (ROUGH MEASUREMENTS) RM# 305**
 SCALE: 1"=1'-0" 2/A-2



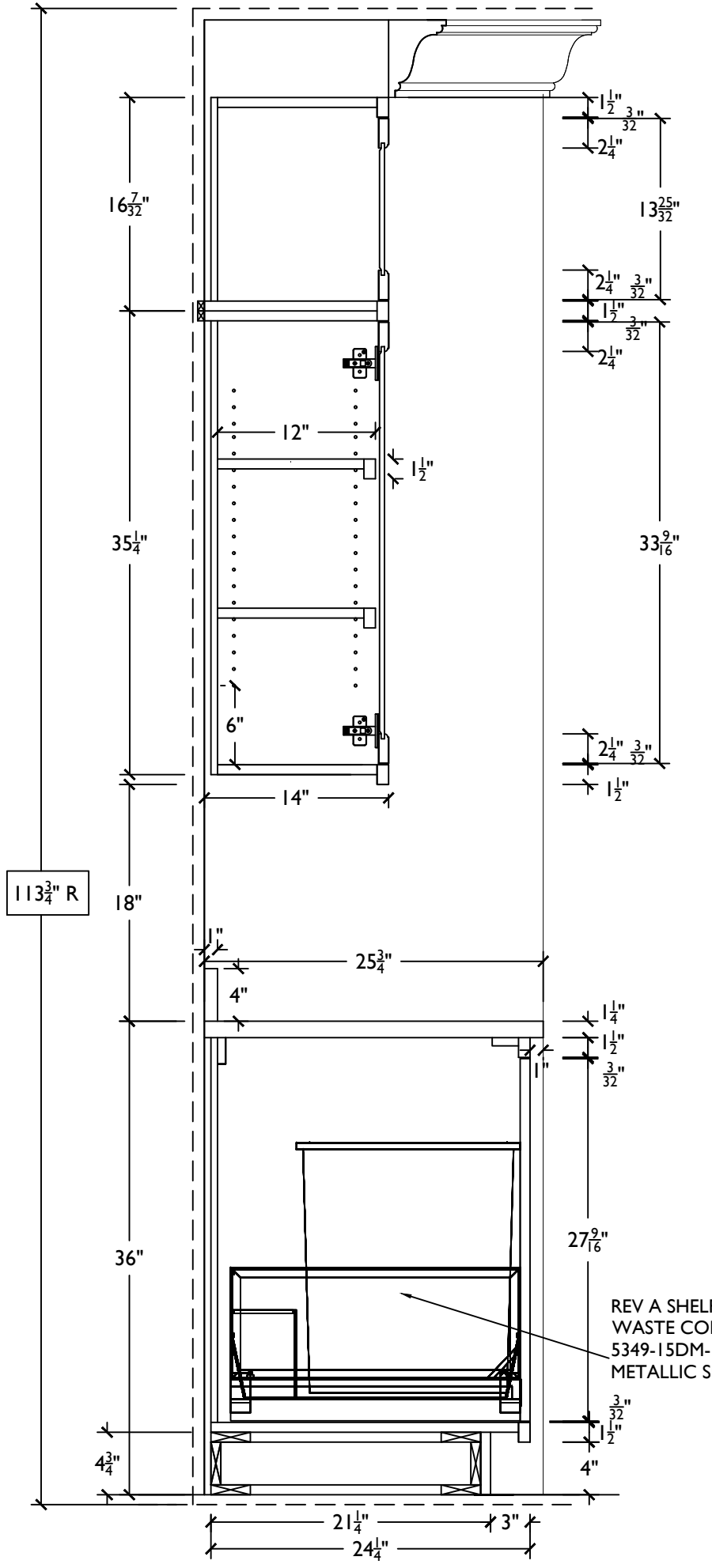
2 **PLAN - 3RD FL KITCHEN (LAYOUT) RM# 305**
 SCALE: 1"=1'-0" 2/A-2



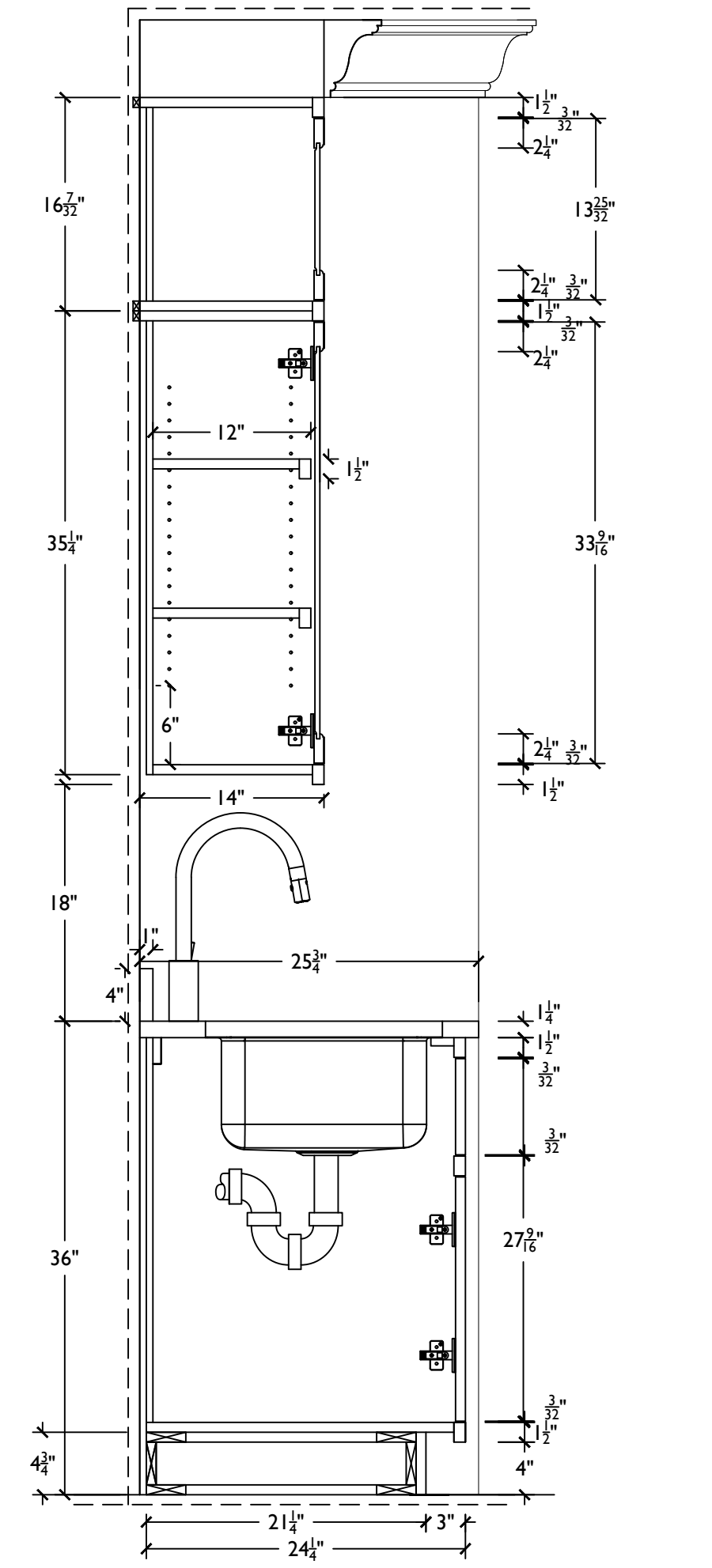
1 ELEVATION - 3RD FL KITCHEN RM# 305
SCALE: 1"=1'-0" 10/A-11



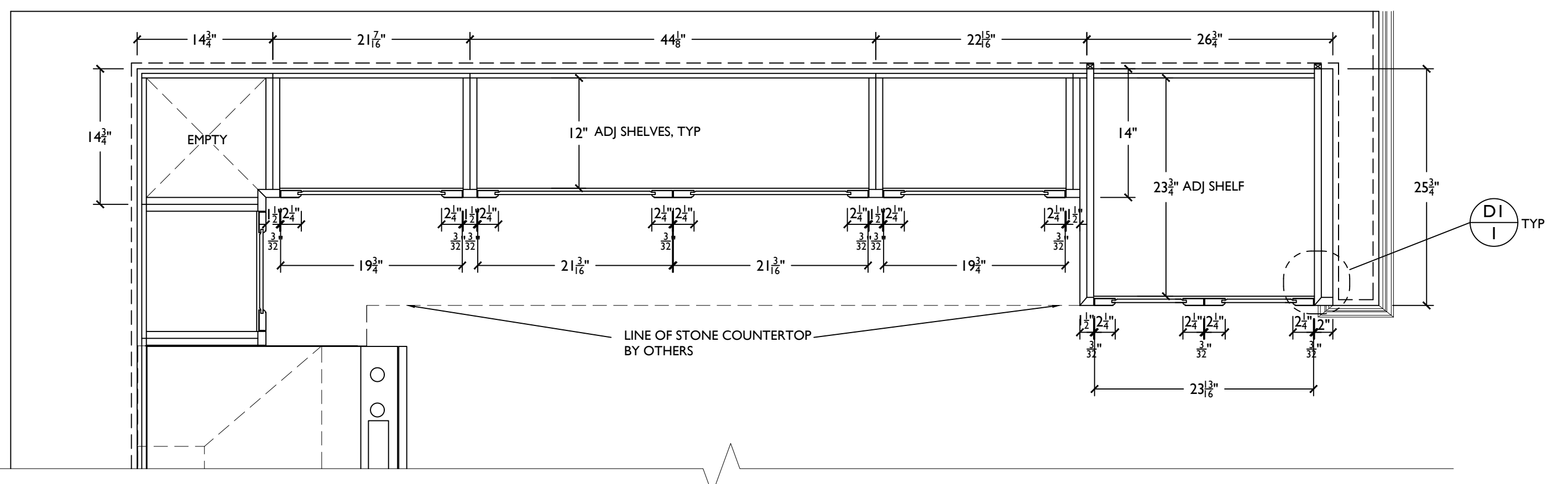
4 SECTION - 3RD FL KITCHEN RM# 305
SCALE: 1"=1'-0" 10/A-11



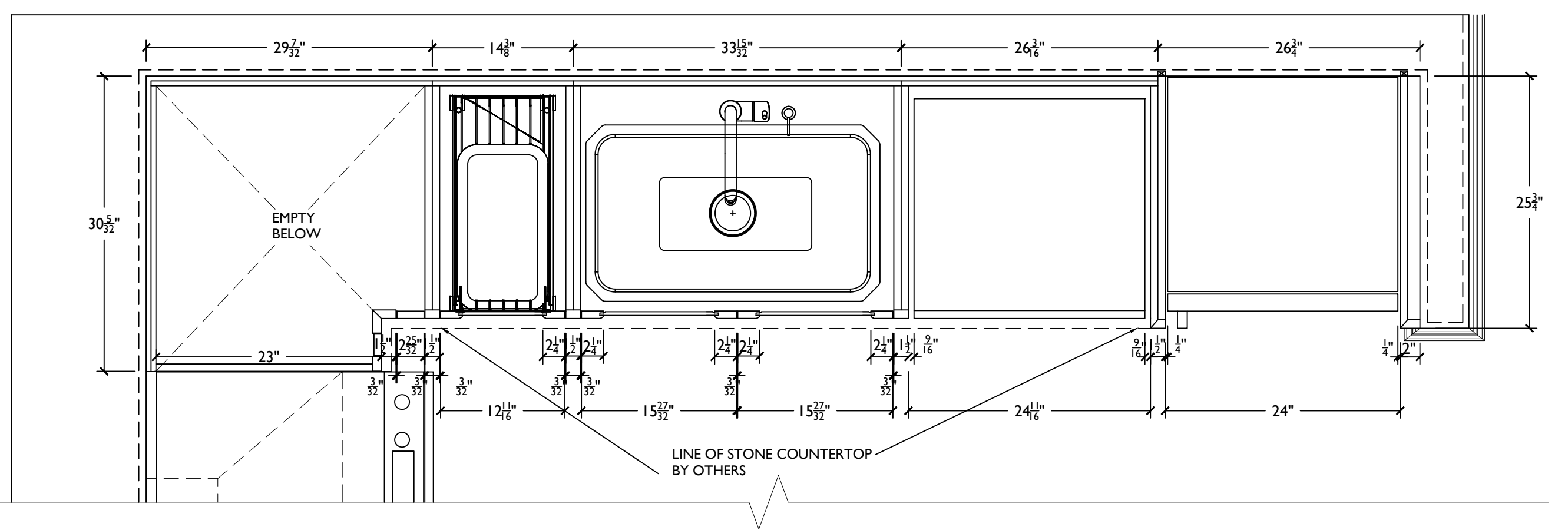
5 SECTION - 3RD FL KITCHEN RM# 305
SCALE: 1"=1'-0" 10/A-11



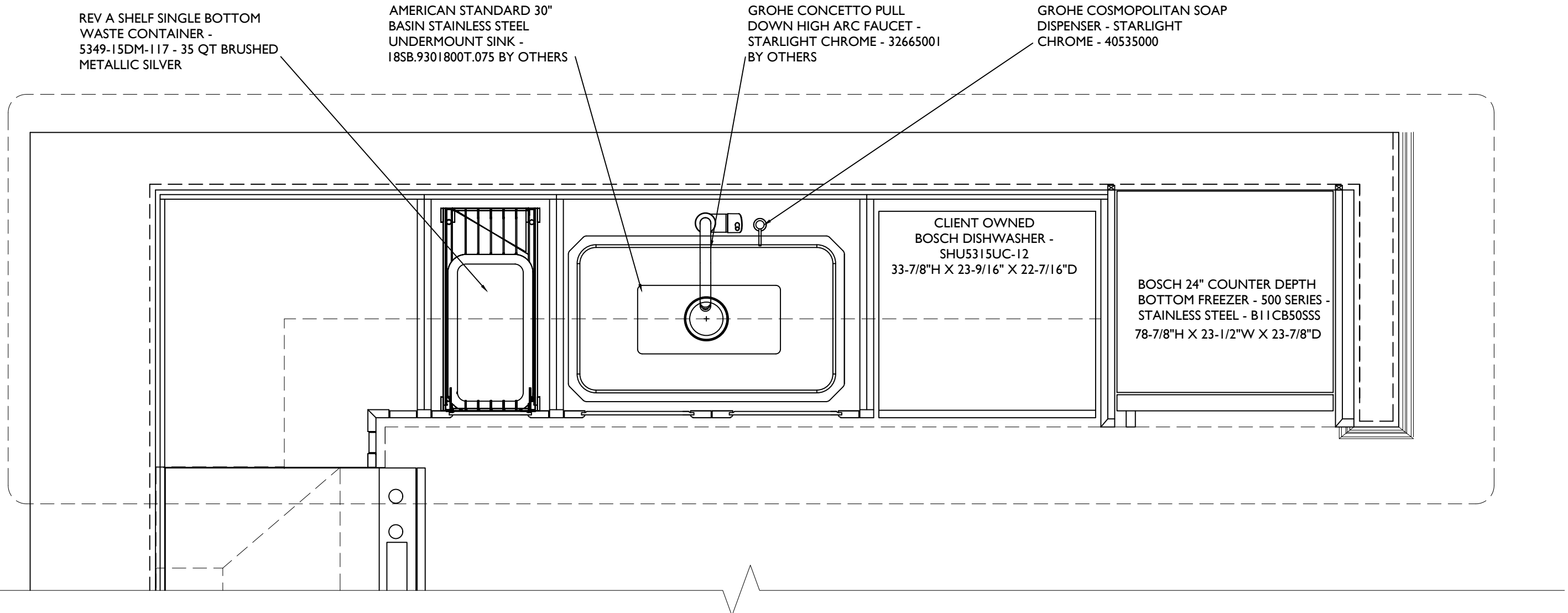
6 SECTION - 3RD FL KITCHEN RM# 305
SCALE: 1"=1'-0" 10/A-11



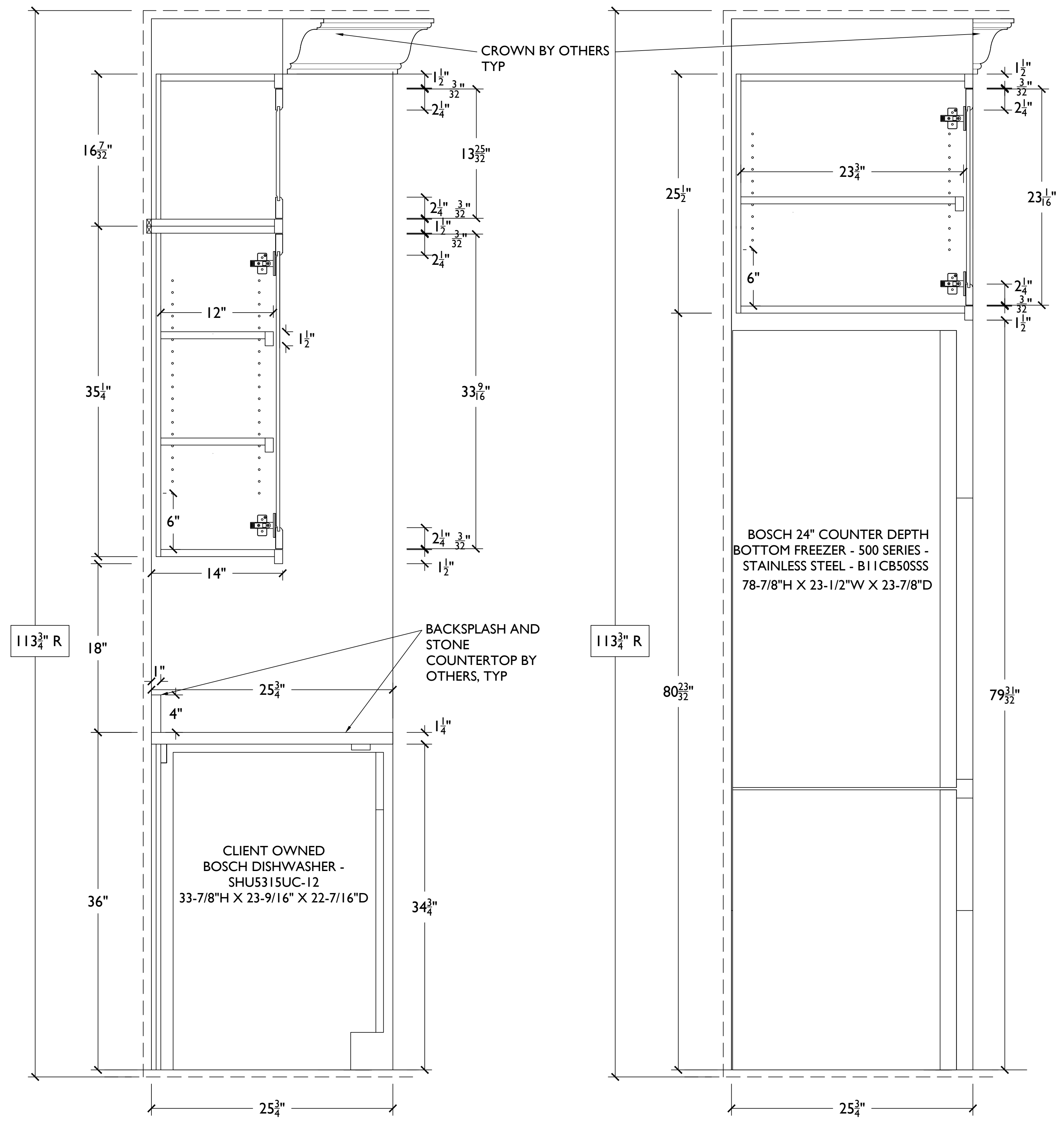
2 SECTION - 3RD FL KITCHEN RM# 305
SCALE: 1"=1'-0" 10/A-11



3 SECTION - 3RD FL KITCHEN RM# 305
SCALE: 1"=1'-0" 10/A-11

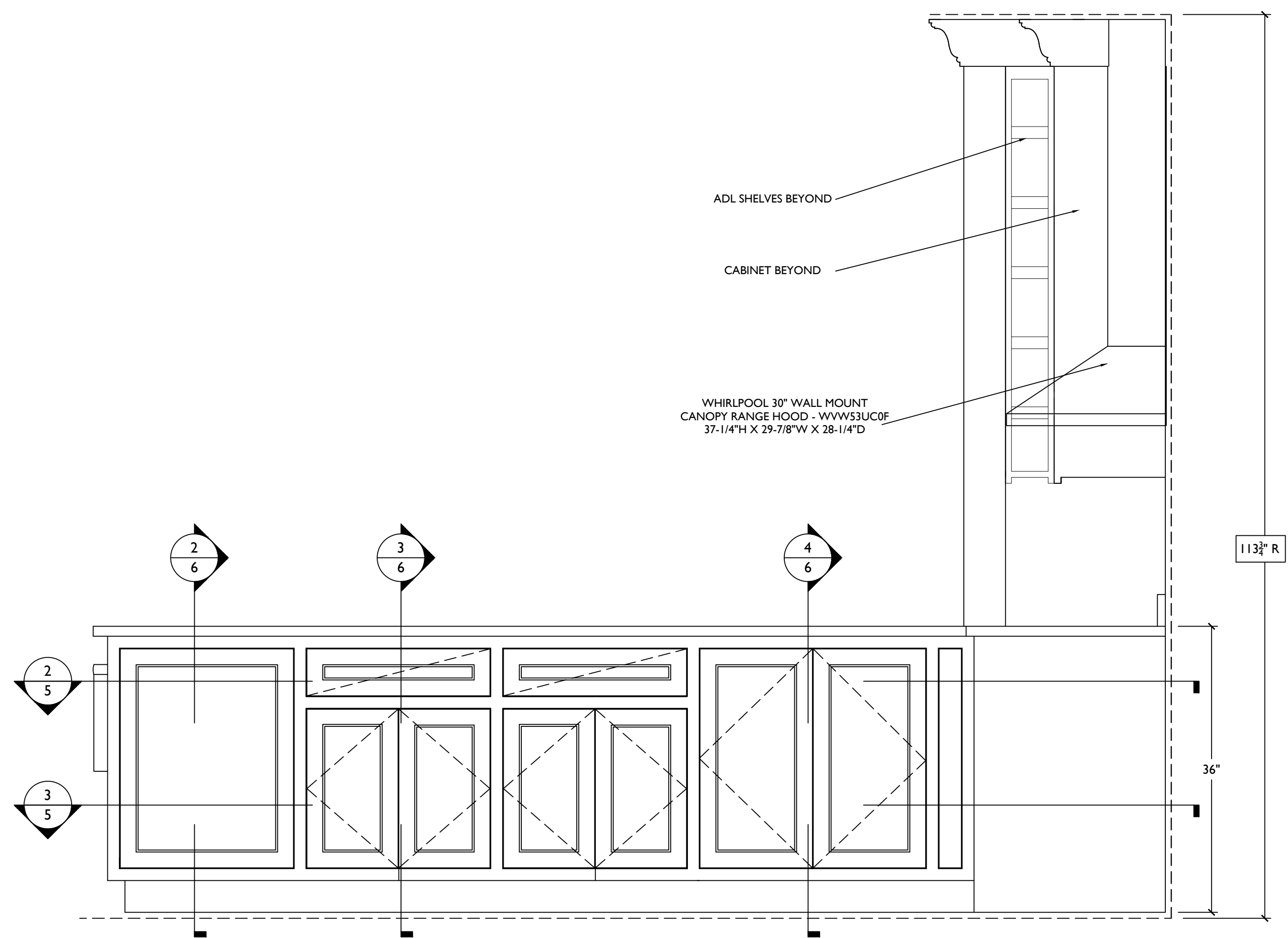


B PLAN - 3RD FL KITCHEN RM# 305
SCALE: 1"=1'-0" 10/A-11

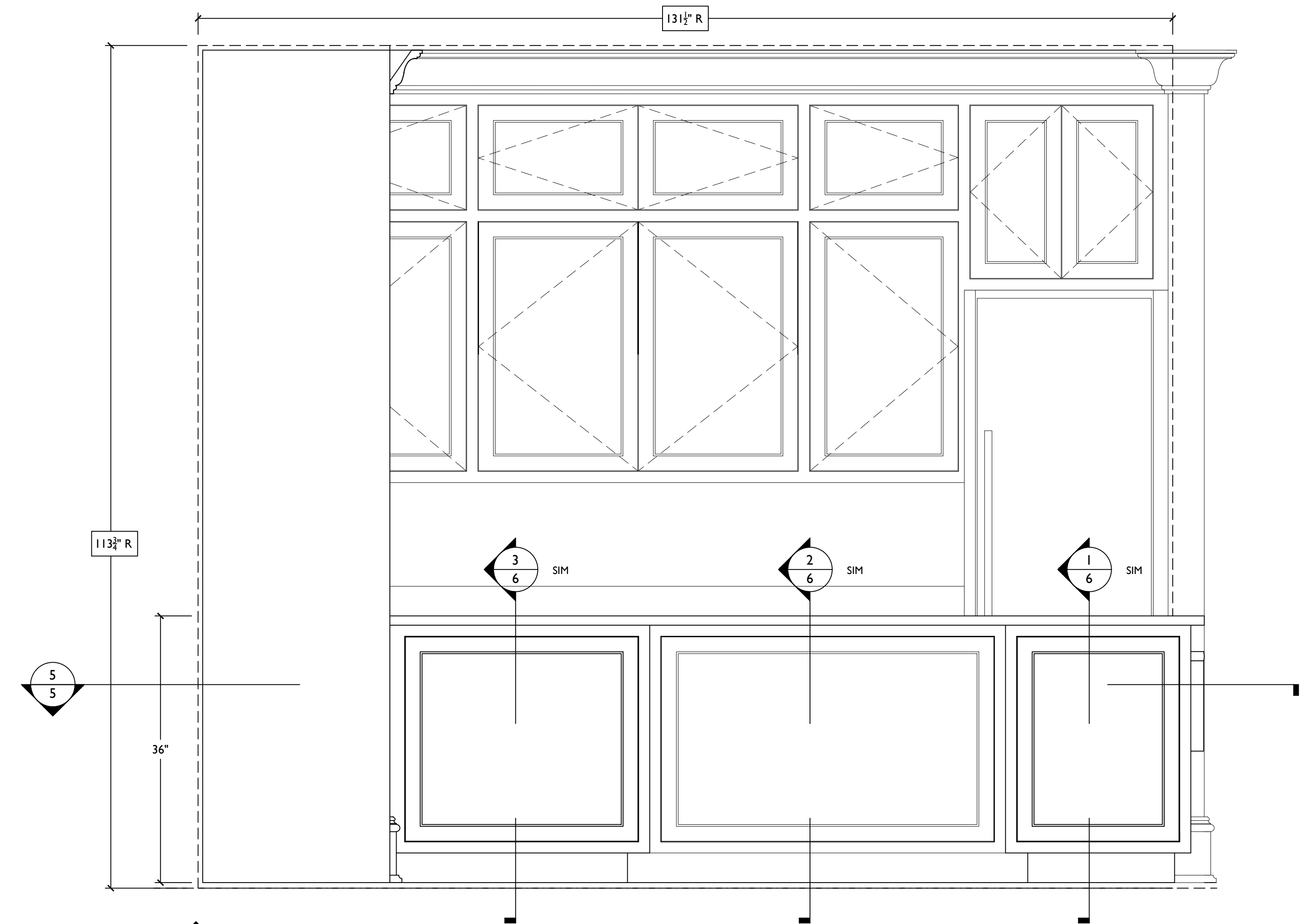


1
SECTION - 3RD FL KITCHEN RM# 305
SCALE: 1"=1'-0"
10/A-11

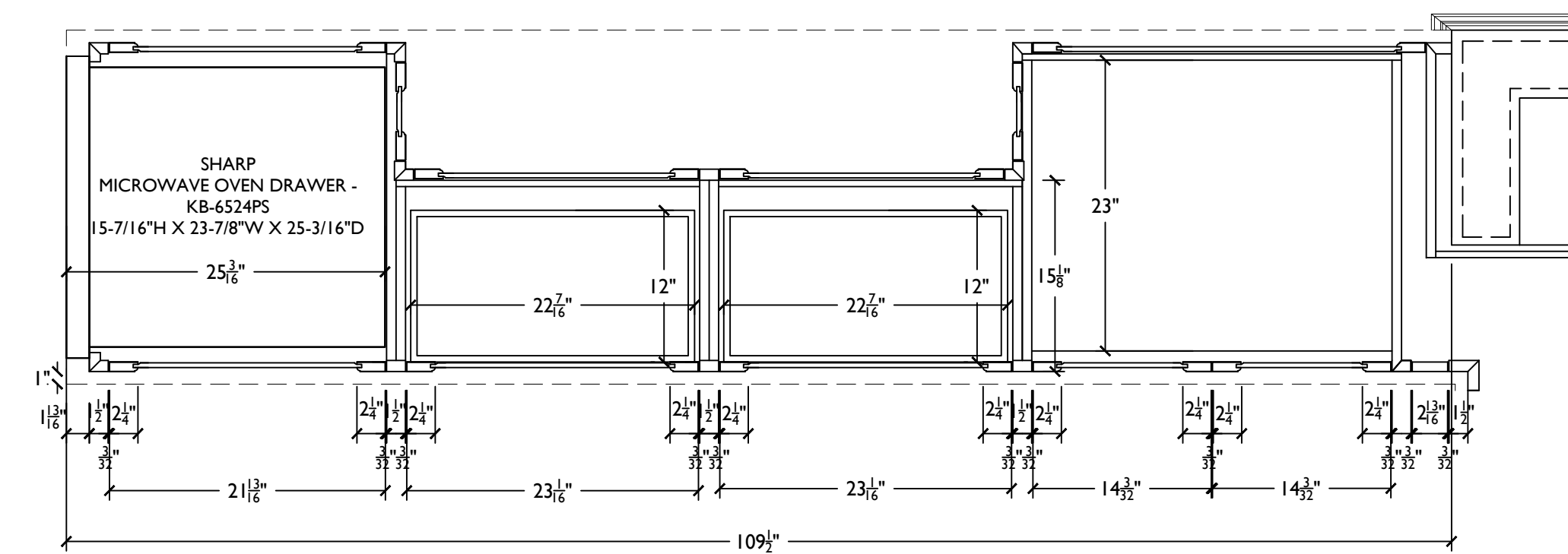
2
SECTION - 3RD FL KITCHEN RM# 305
SCALE: 1"=1'-0"
10/A-11



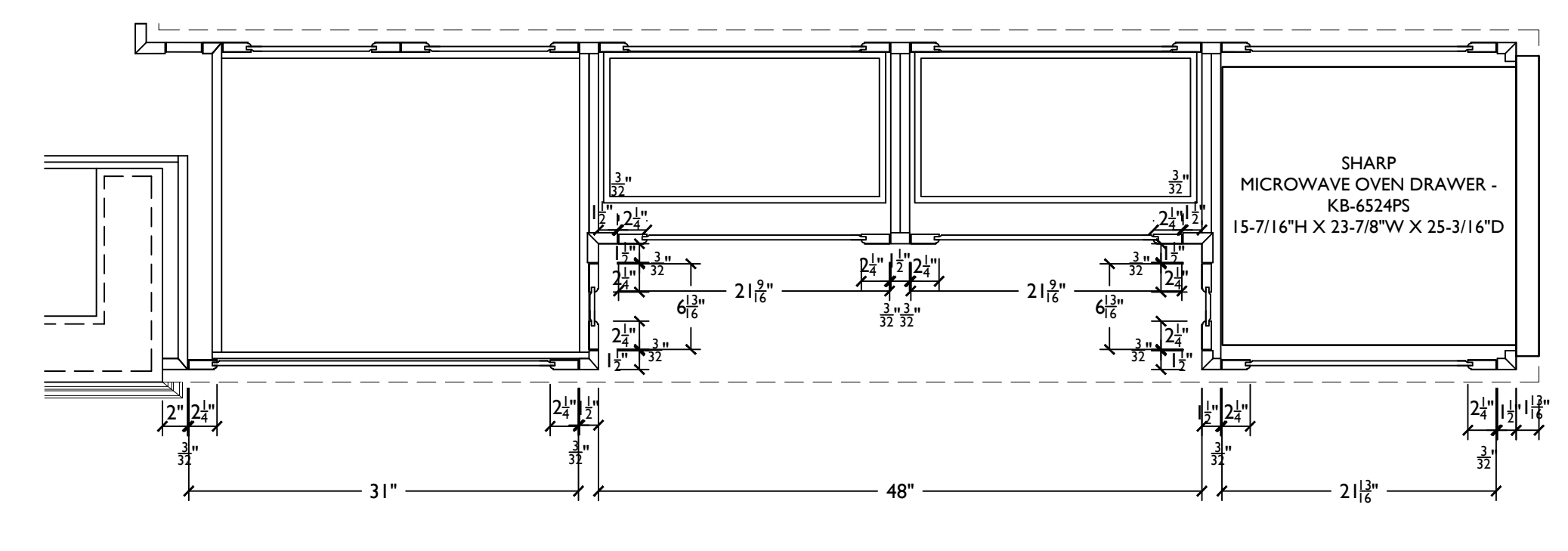
ELEVATION - 3RD FL KITCHEN RM# 305
SCALE: 1"=1'-0"



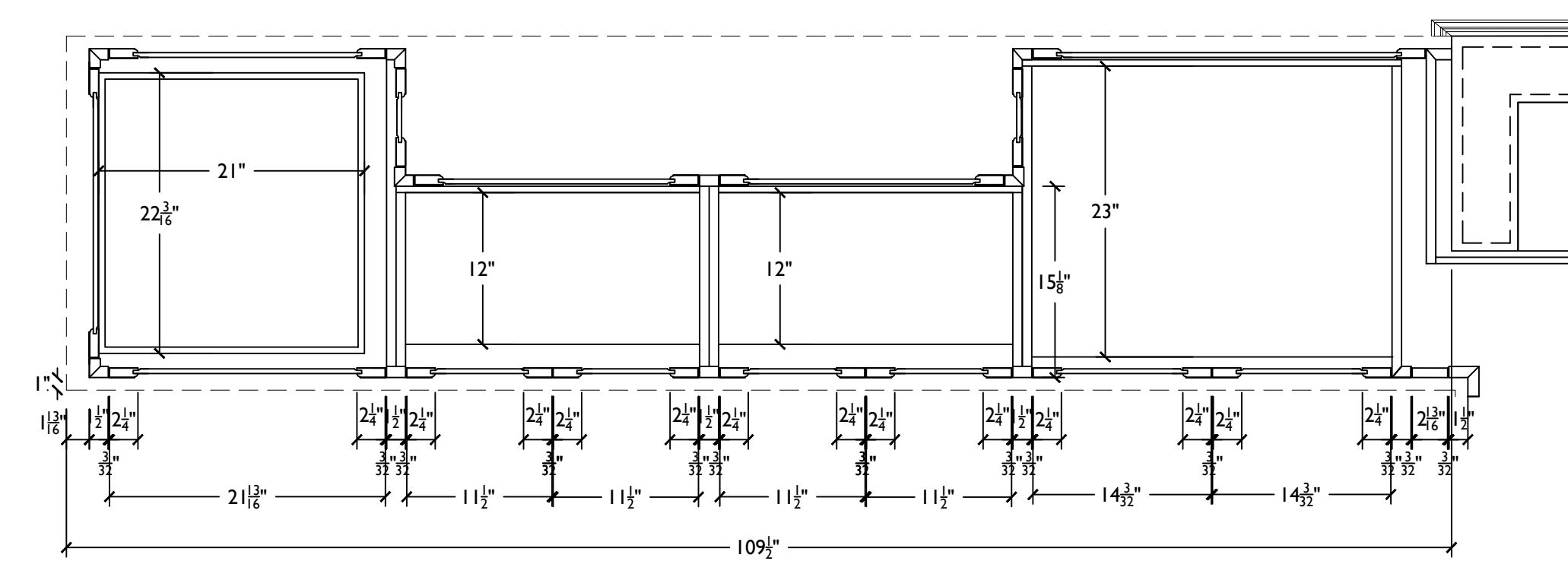
ELEVATION - 3RD FL KITCHEN RM# 305
SCALE: 1"=1'-0"



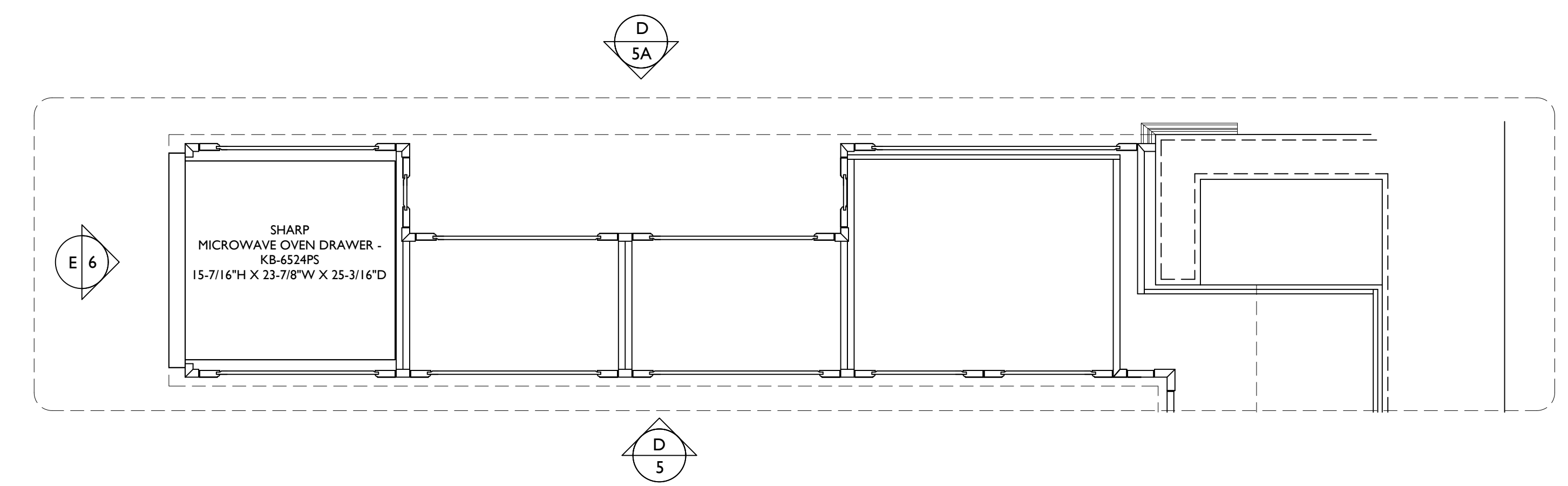
SECTION - 3RD FL KITCHEN RM# 305
SCALE: 1"=1'-0"



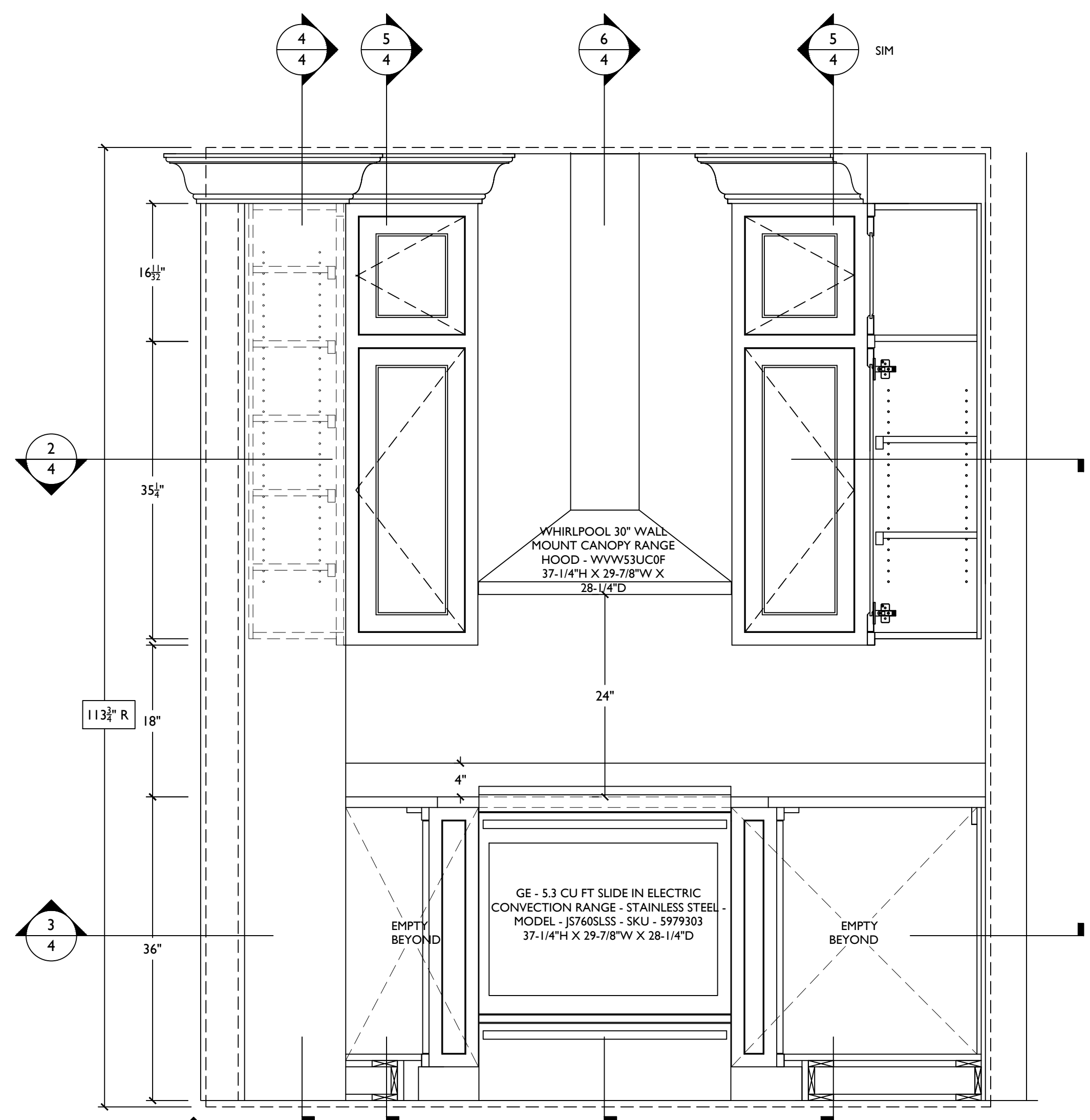
SECTION - 3RD FL KITCHEN RM# 305
SCALE: 1"=1'-0"



SECTION - 3RD FL KITCHEN RM# 305
SCALE: 1"=1'-0"



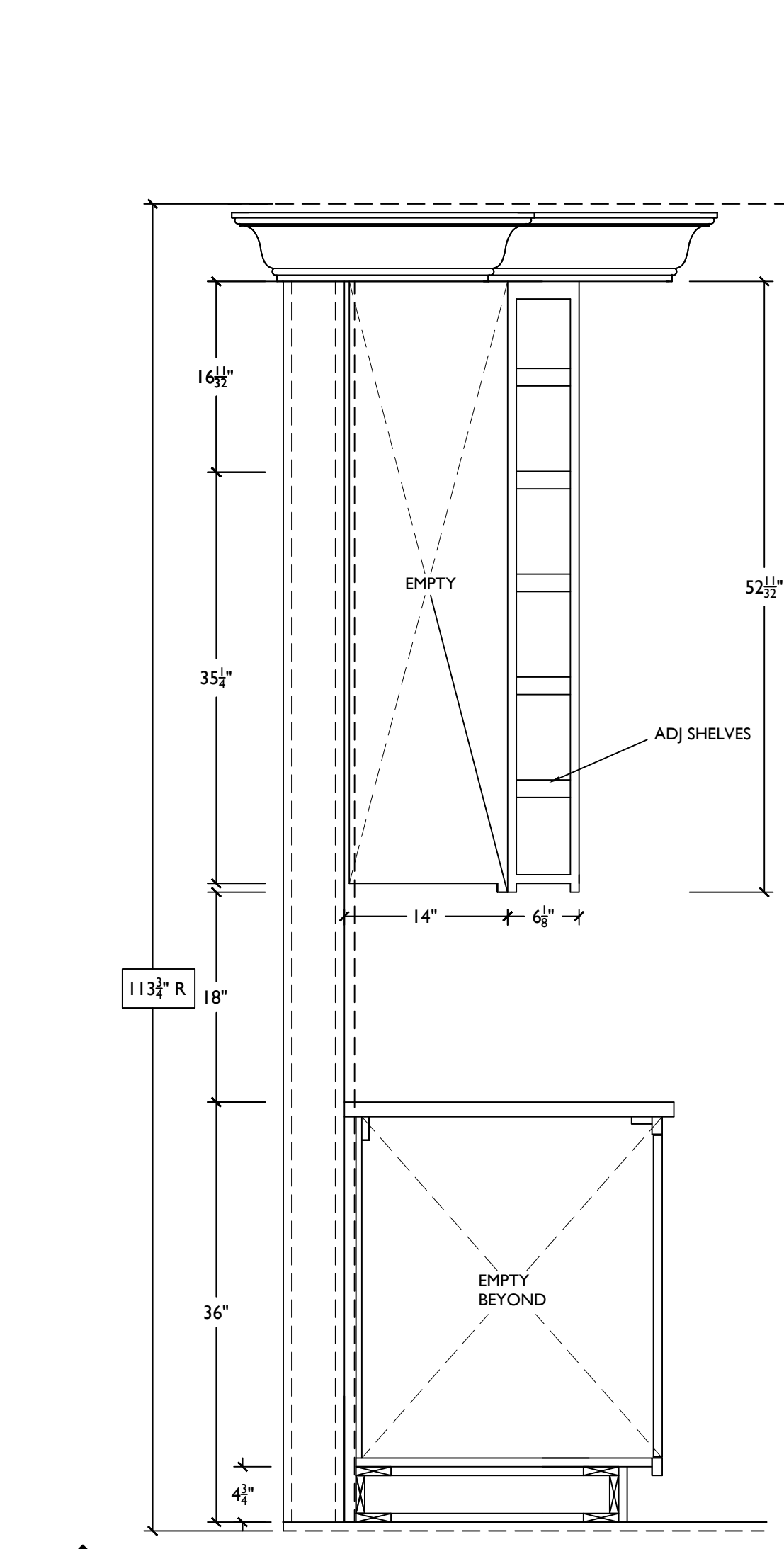
PLAN - 3RD FL KITCHEN RM# 305
SCALE: 1"=1'-0"



ELEVATION - 3RD FL KITCHEN RM# 305

SCALE: 1"=1'-0"

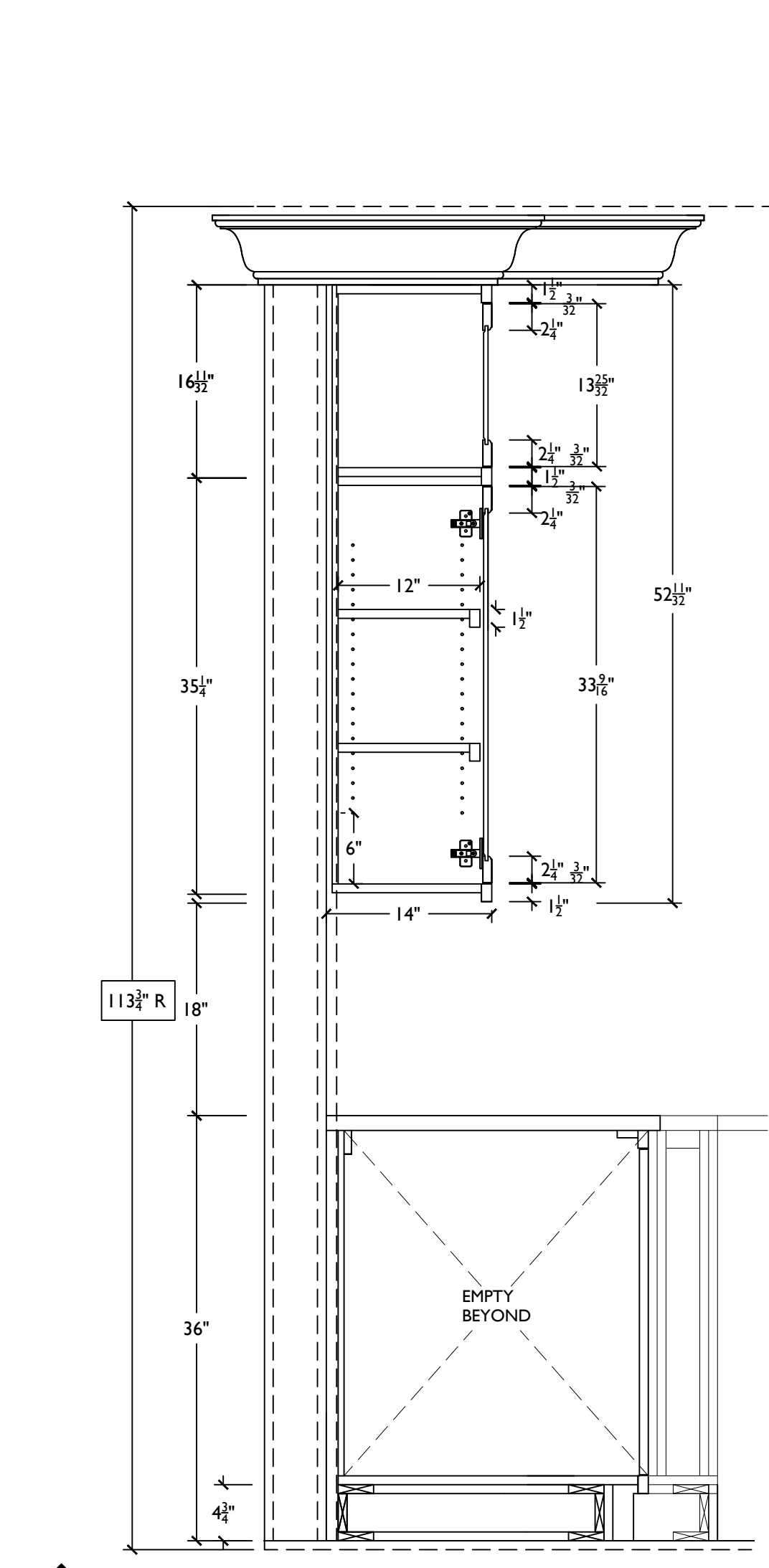
13/A/11



SECTION - 3RD FL KITCHEN RM# 305

SCALE: 1"=1'-0"

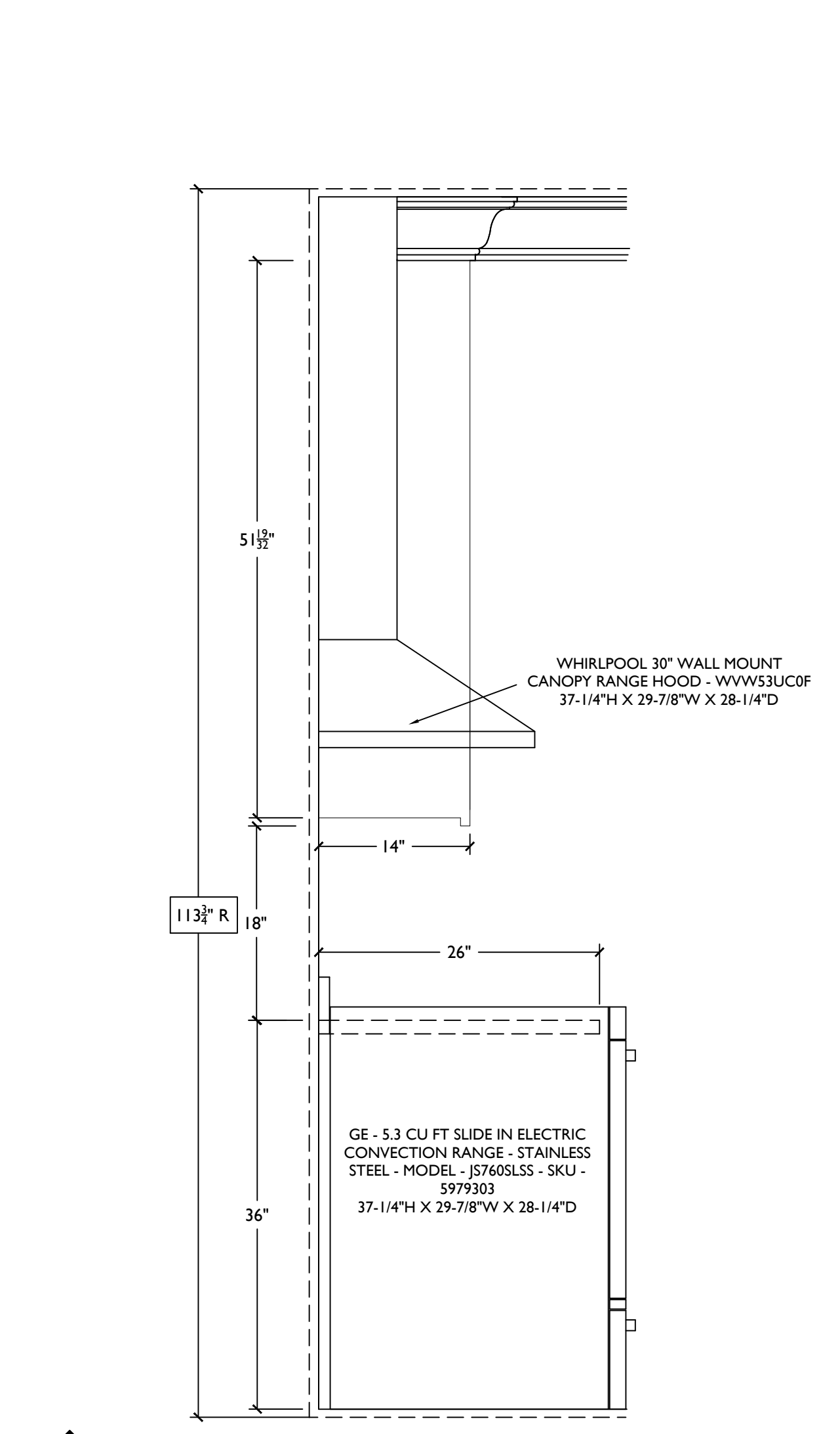
13/A/11



SECTION - 3RD FL KITCHEN RM# 305

SCALE: 1"=1'-0"

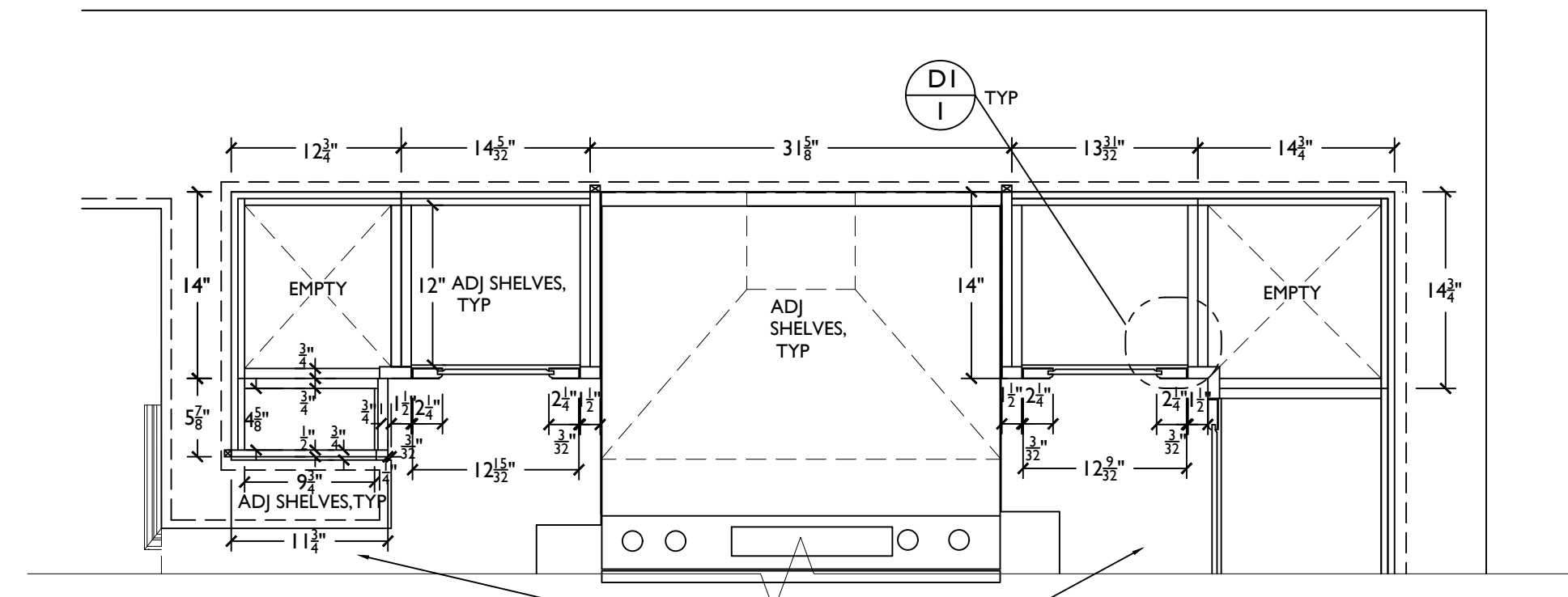
13/A/11



SECTION - 3RD FL KITCHEN RM# 305

SCALE: 1"=1'-0"

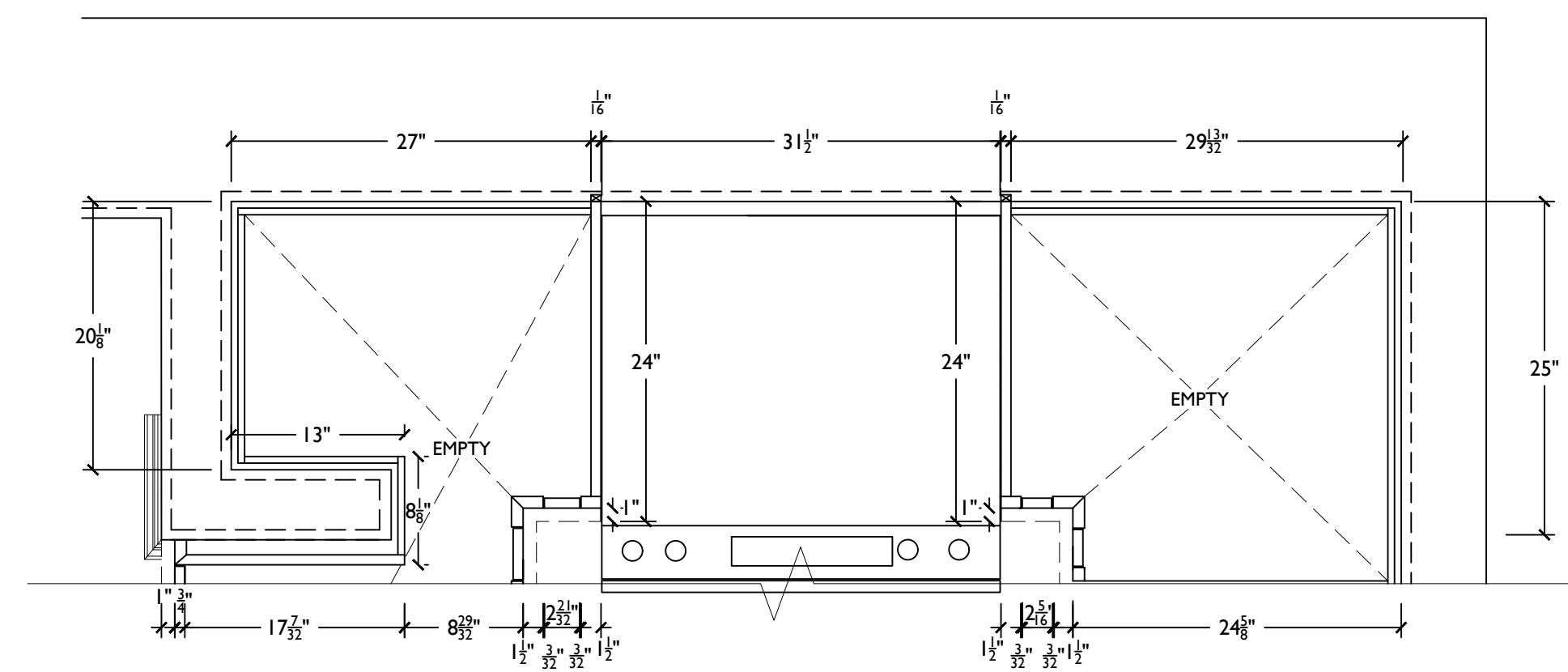
13/A/11



SECTION - 3RD FL KITCHEN RM# 305

SCALE: 1"=1'-0"

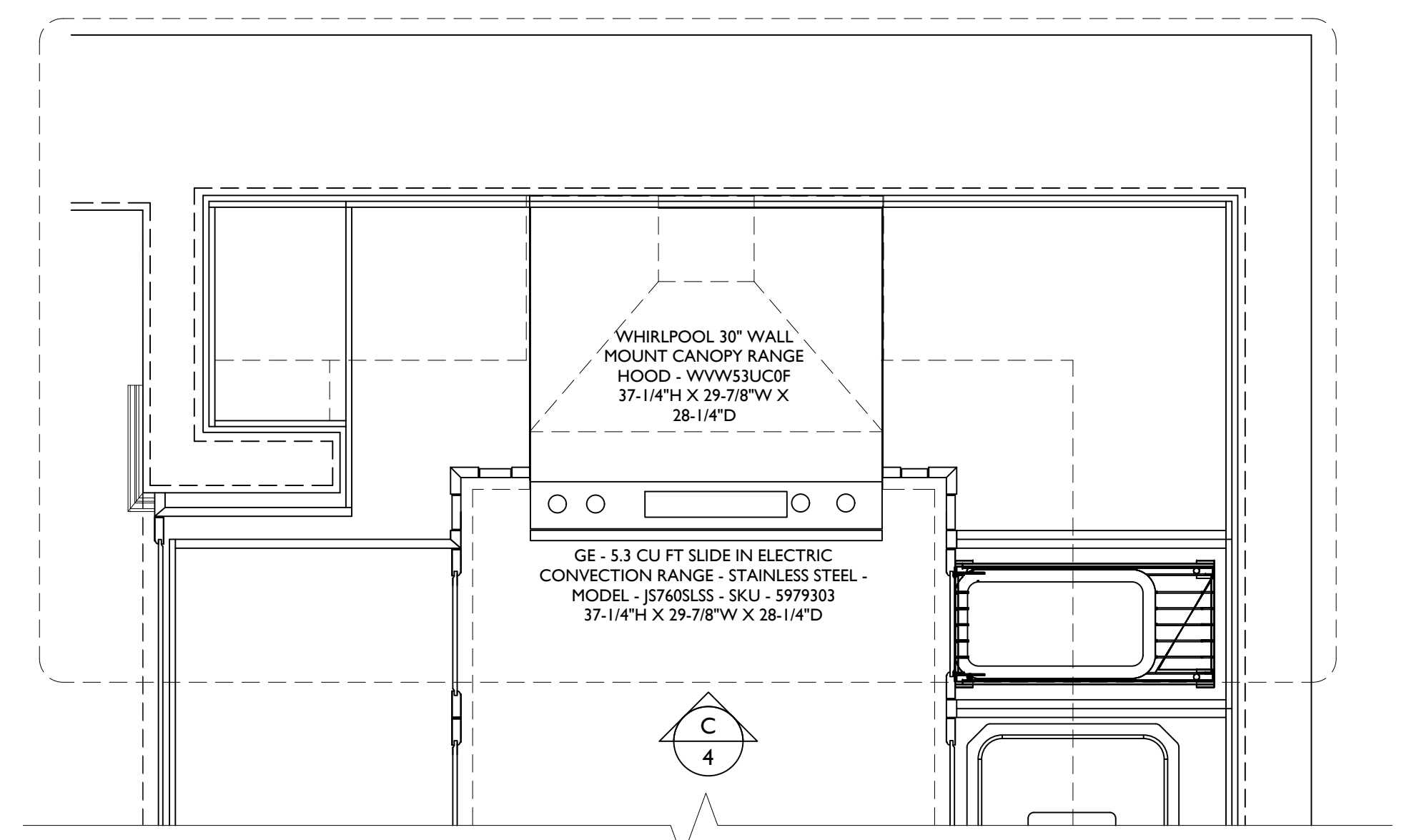
13/A/11



SECTION - 3RD FL KITCHEN RM# 305

SCALE: 1"=1'-0"

13/A/11



PLAN - 3RD FL KITCHEN RM# 305

SCALE: 1"=1'-0"

13/A/11

