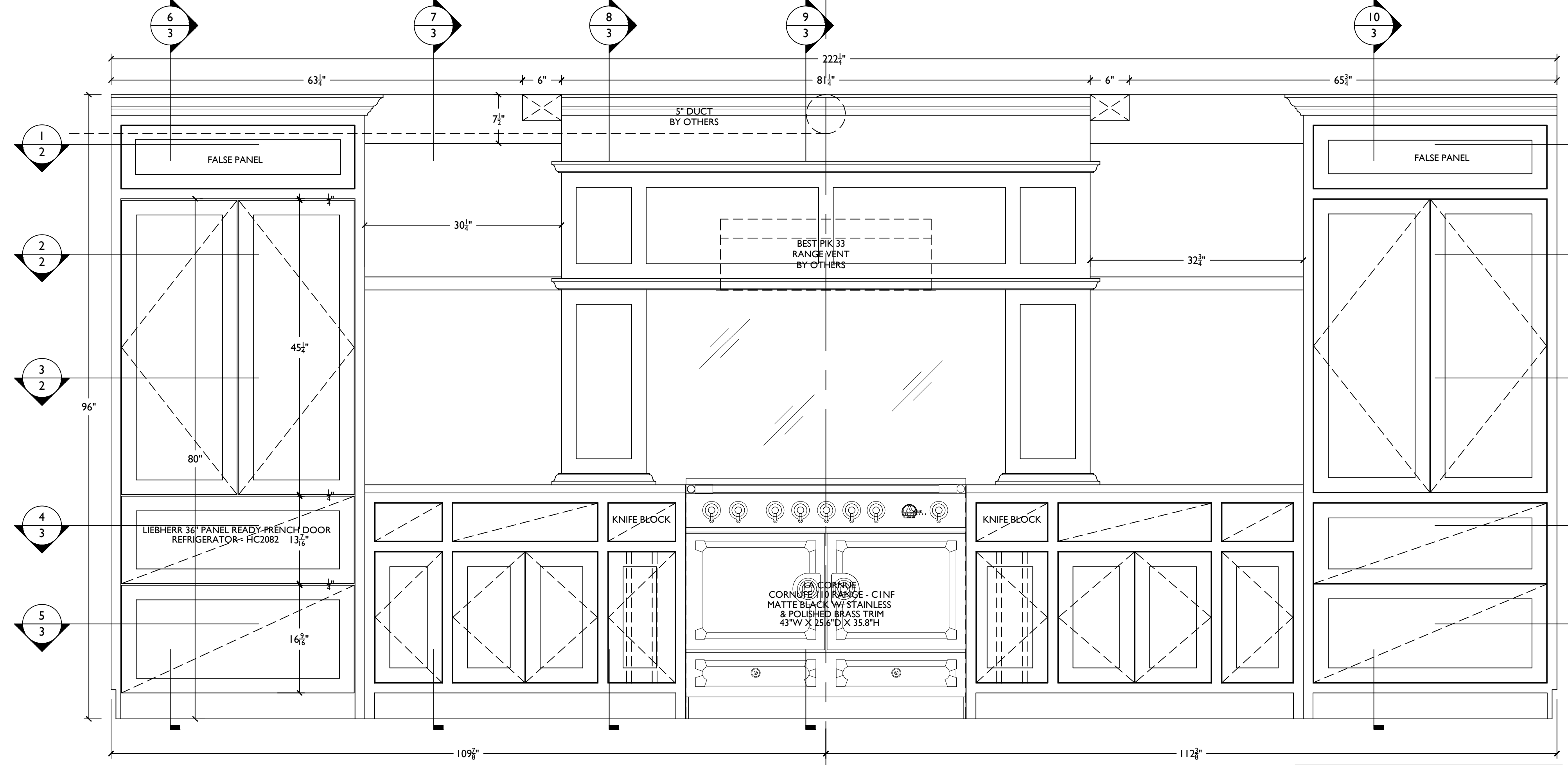
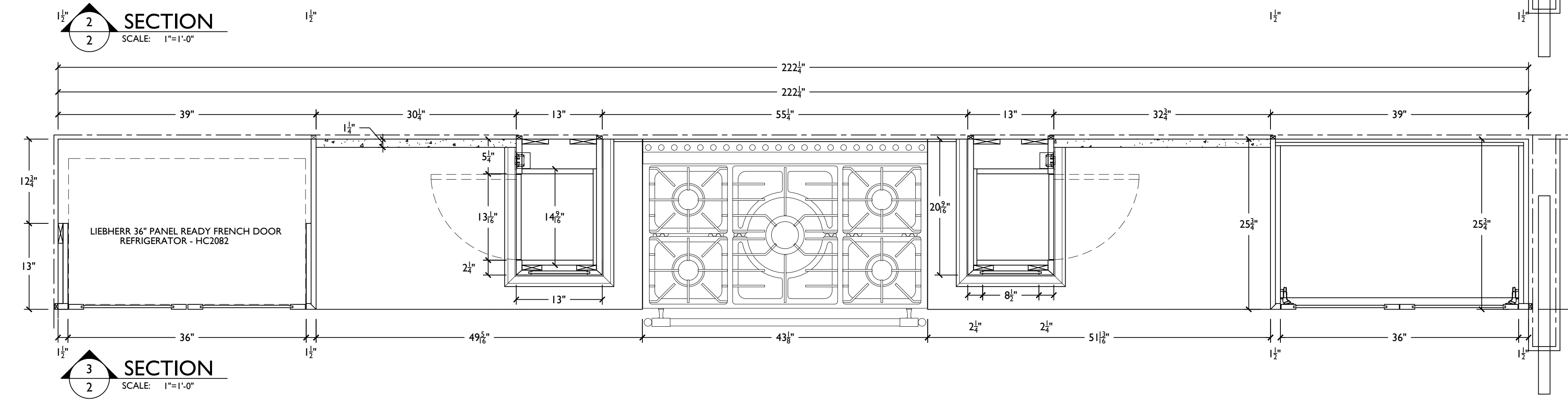
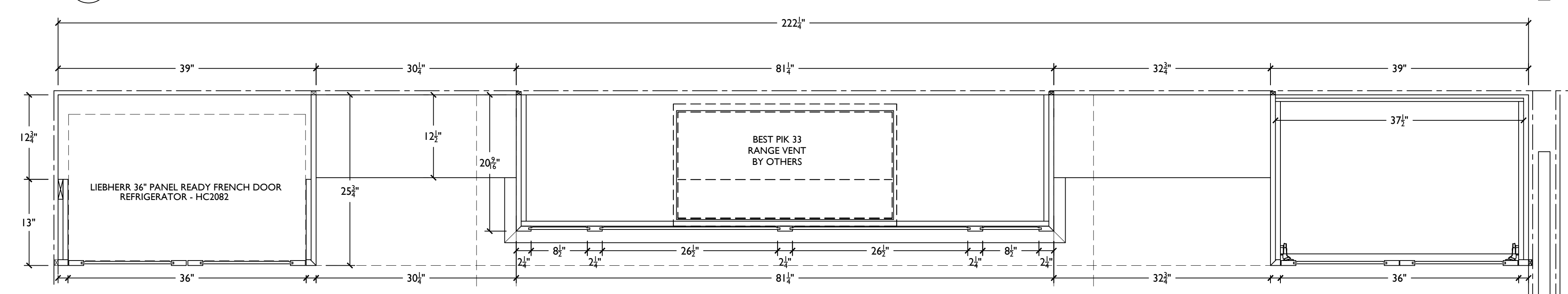
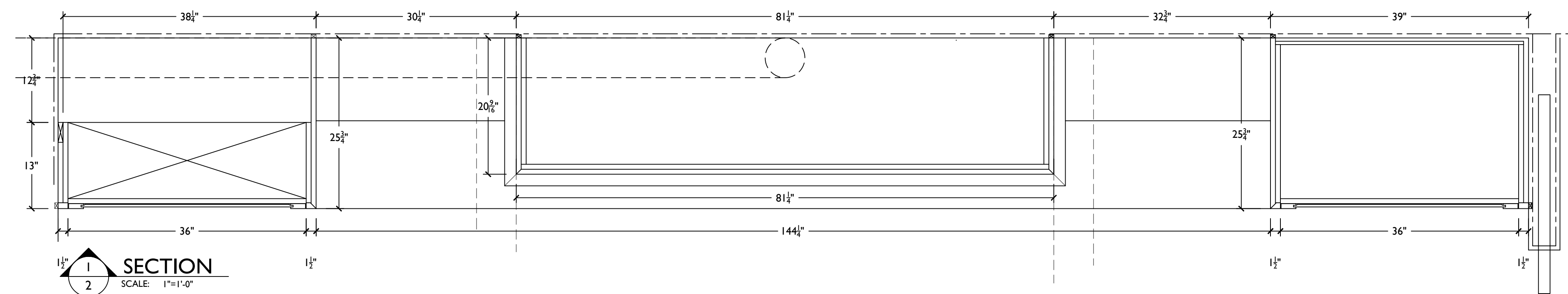


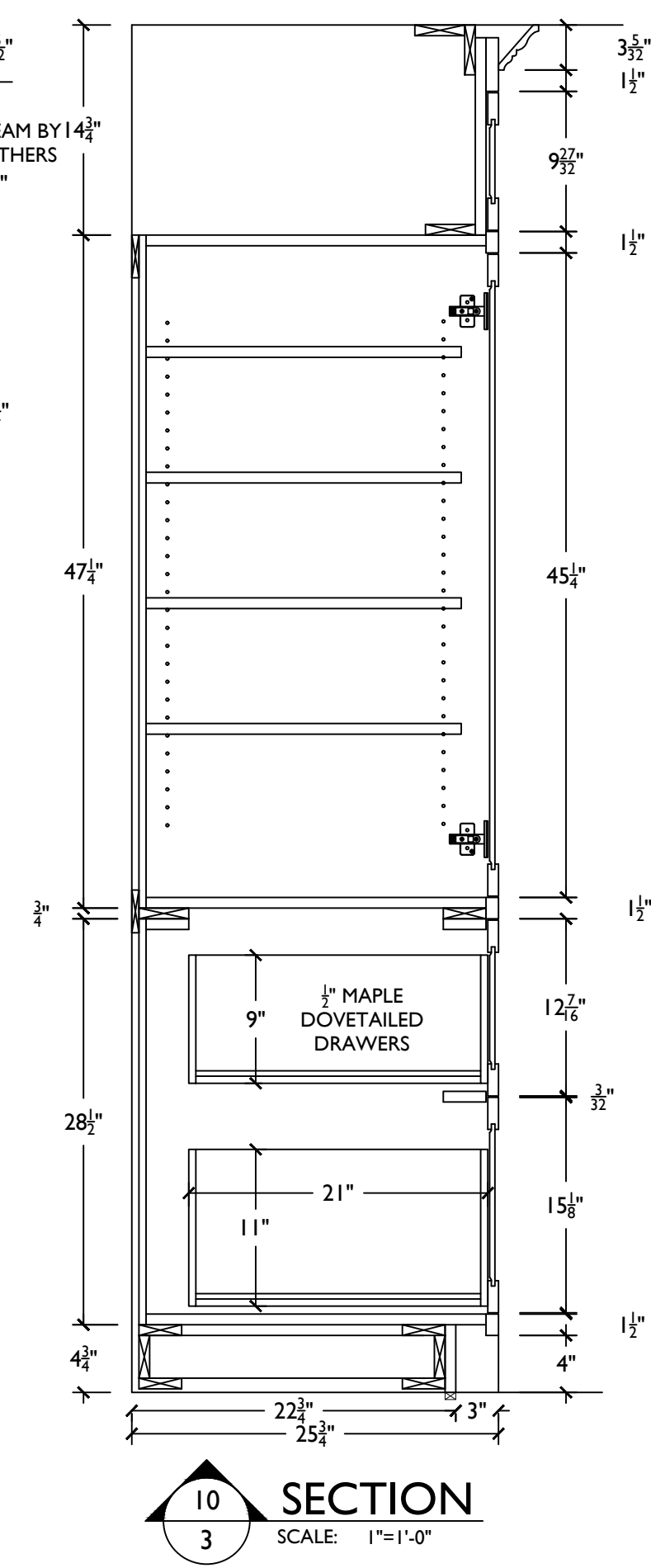
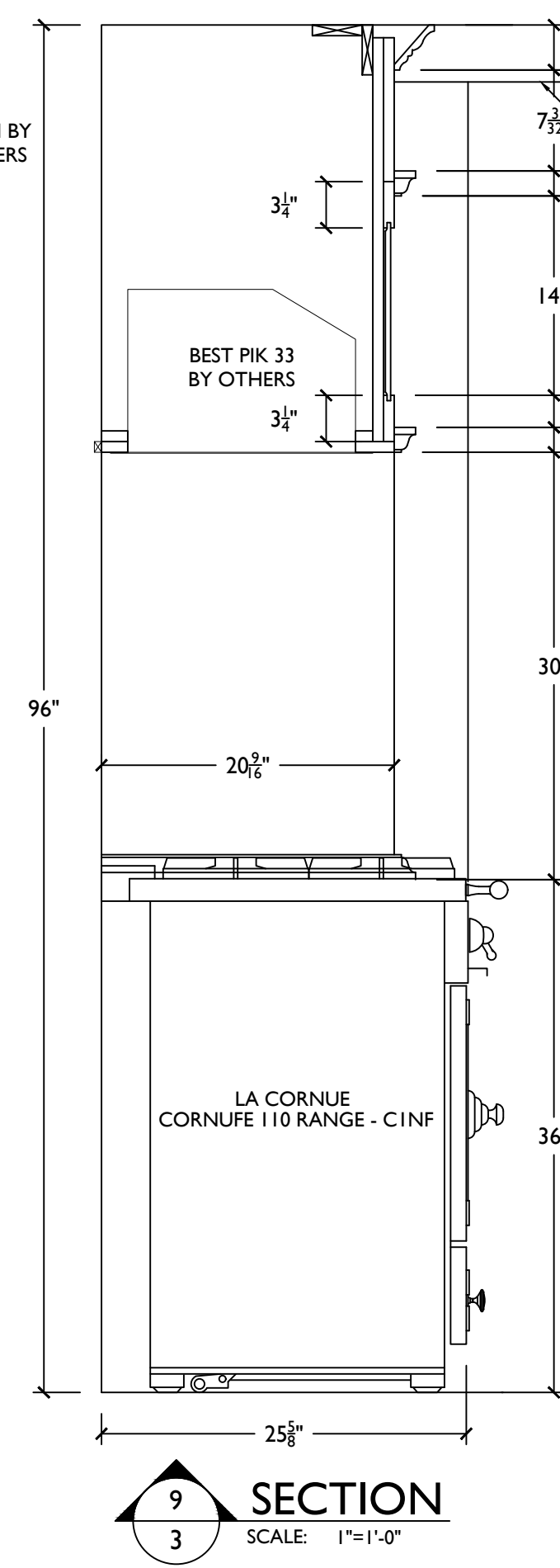
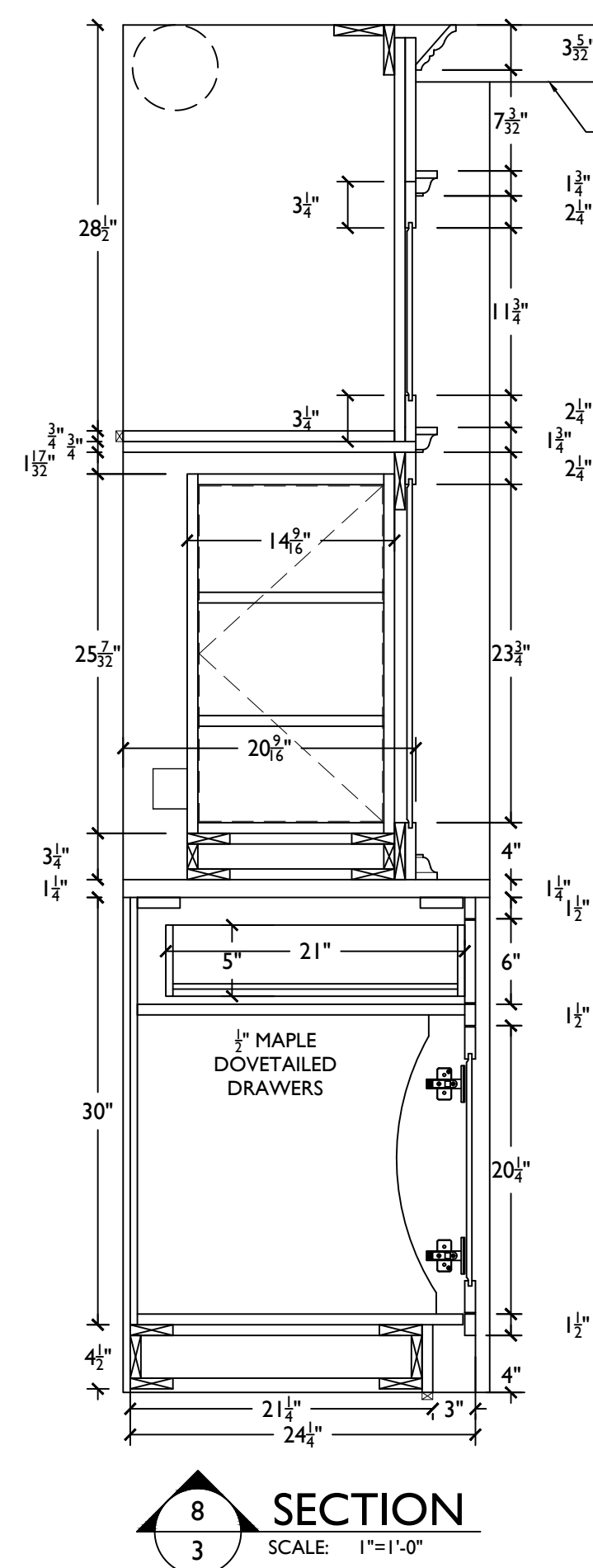
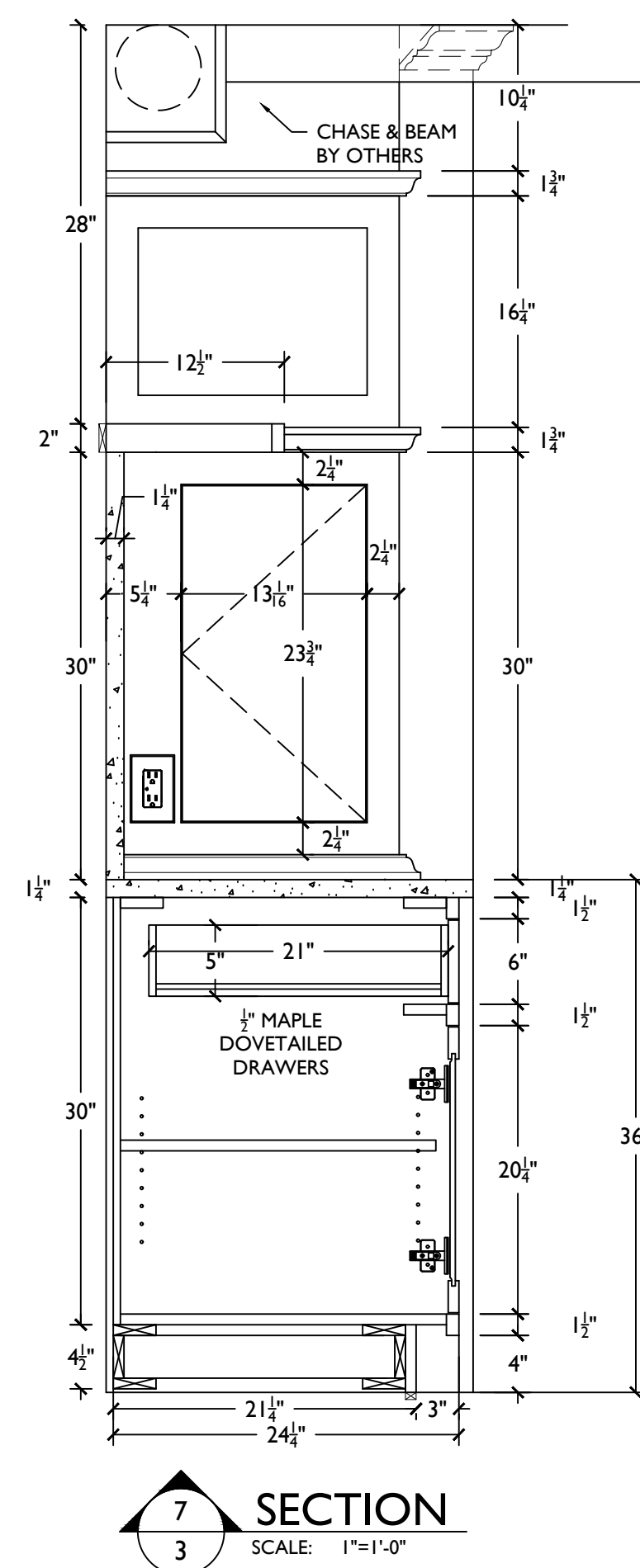
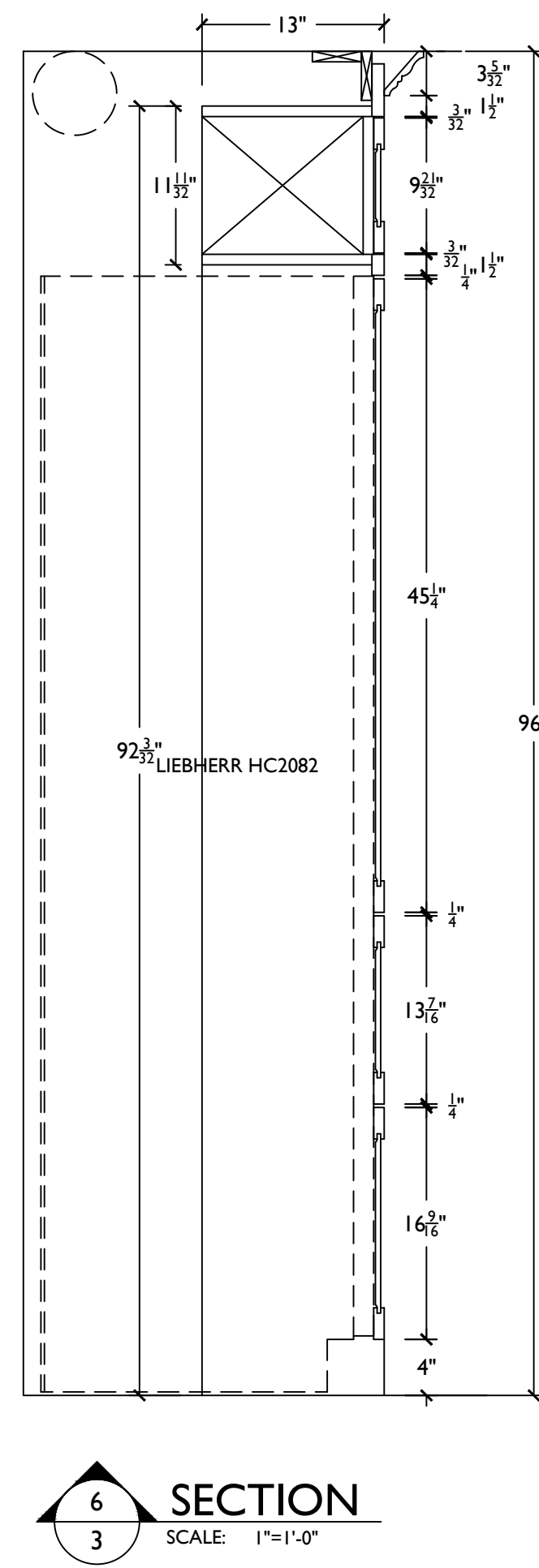
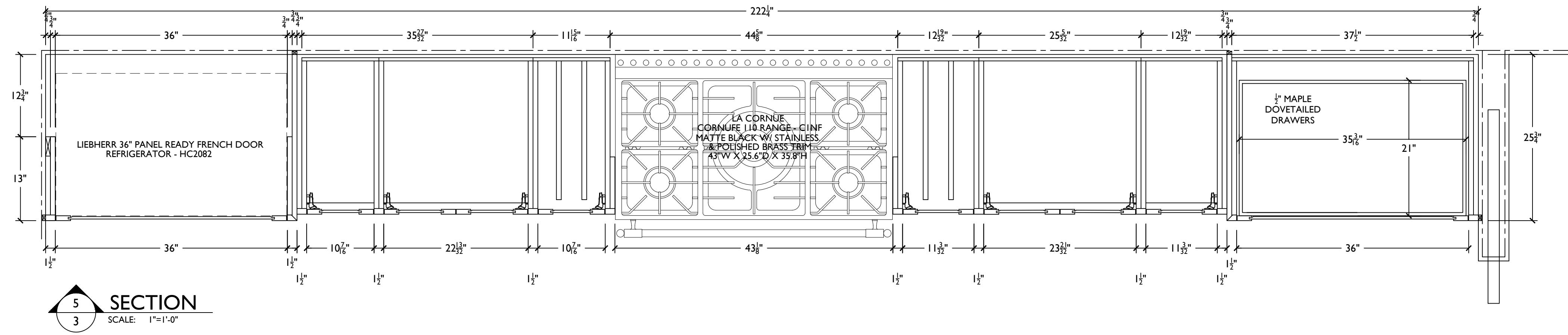
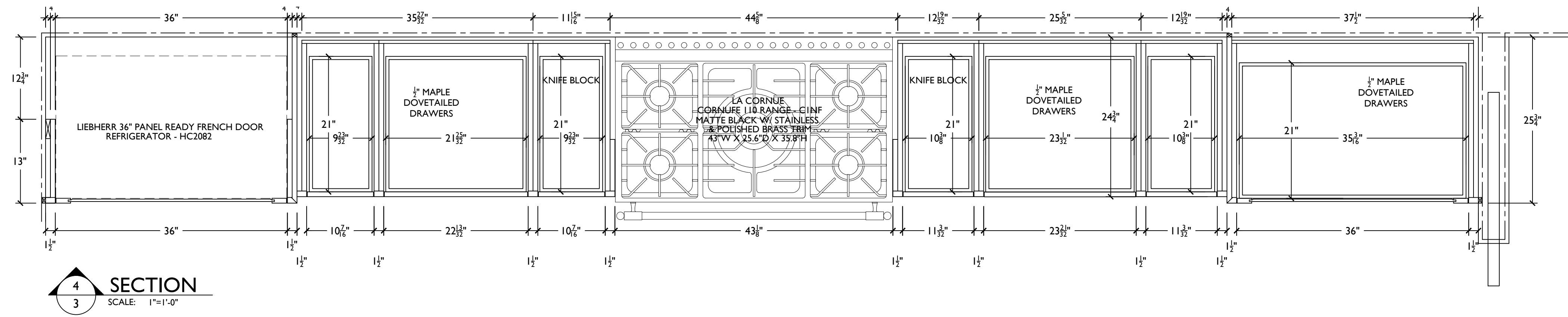
**KITCHEN - PLAN/LAYOUT**  
 SCALE: 3/4"=1"

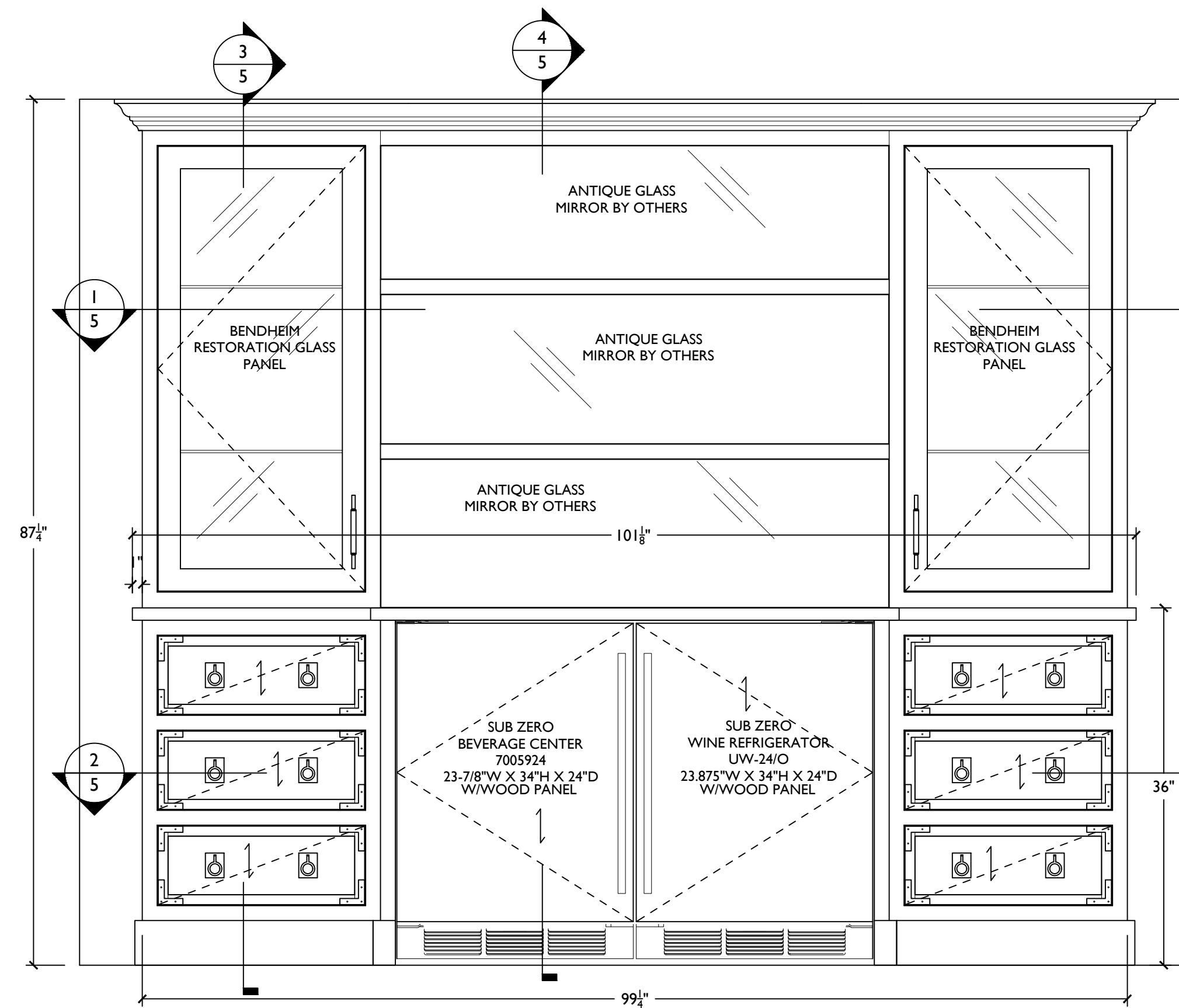


**ELEVATION - KITCHEN NORTH)**  
SCALE: 1"=1'-0"

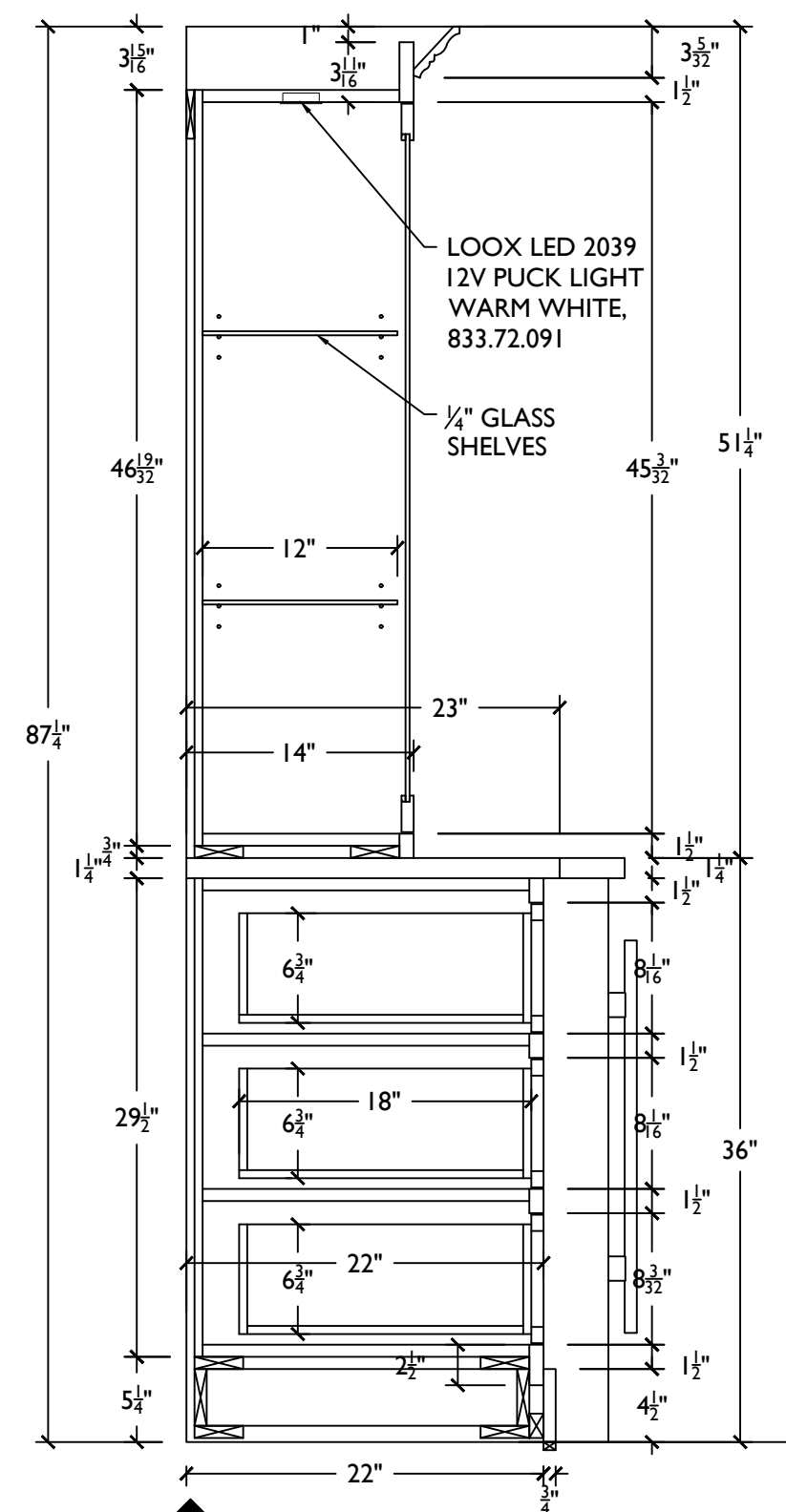
FINISHES:  
EXTERIOR: SHOP FINISHED PAINT GRADE  
INTERIORS: 1/2" SOLID MAPLE INTERIORS (CLEAR FINISH)



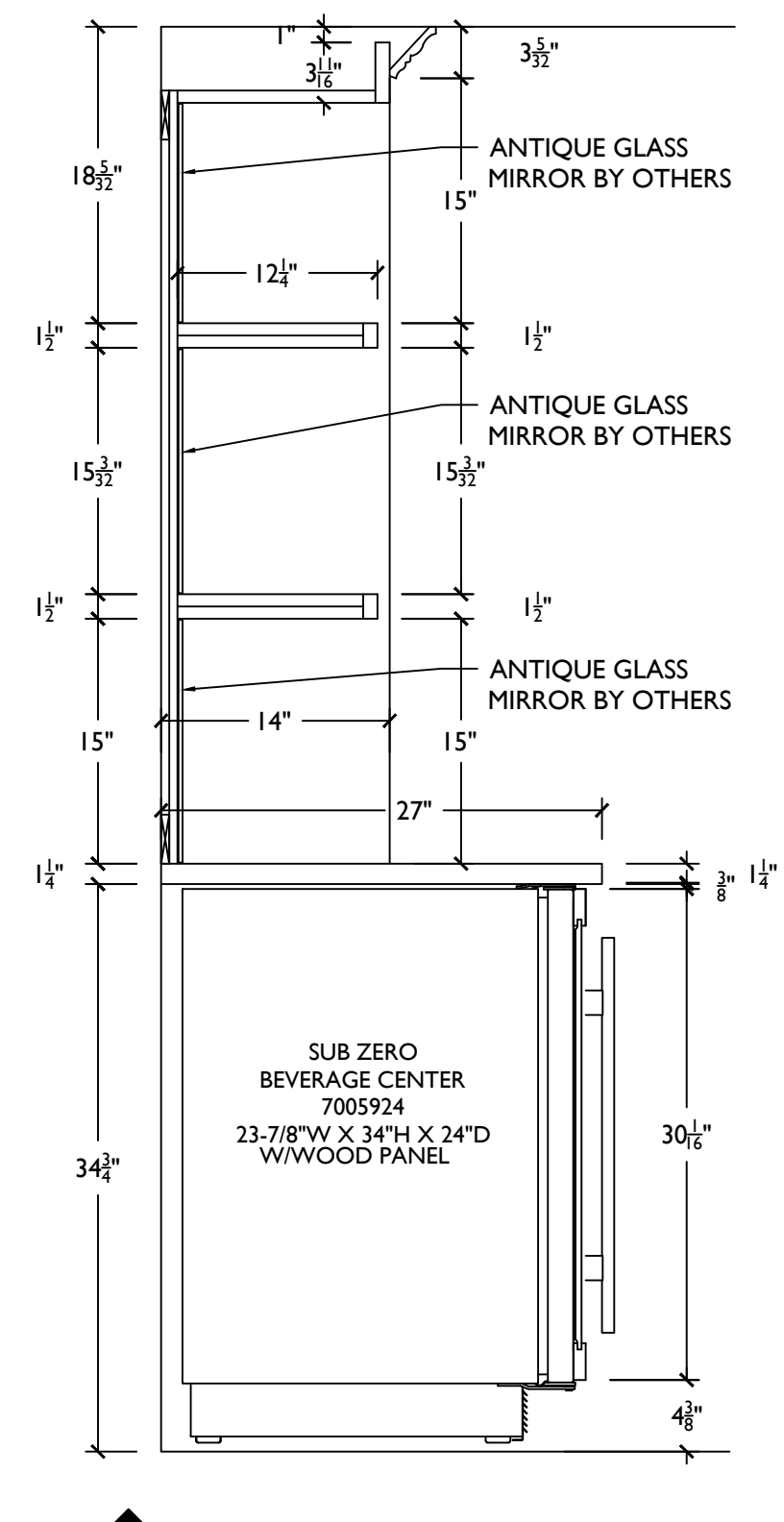




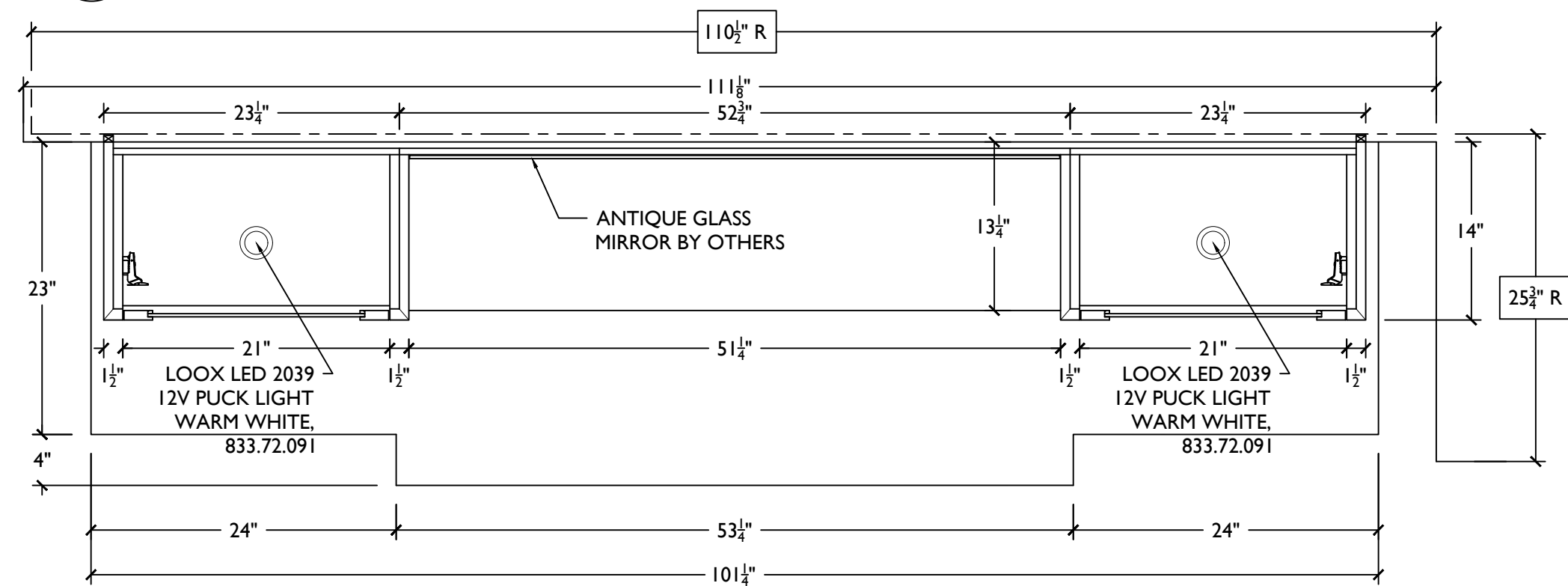
**D ELEVATION - KITCHEN (EAST)**  
SCALE: 1"=1'-0"  
NATURAL MAPLE INTERIORS  
EXPOSED SURFACES SOLID ALDER & ALDER VENEER  
CARAMEL STAIN TO MATCH APPROVED SAMPLE



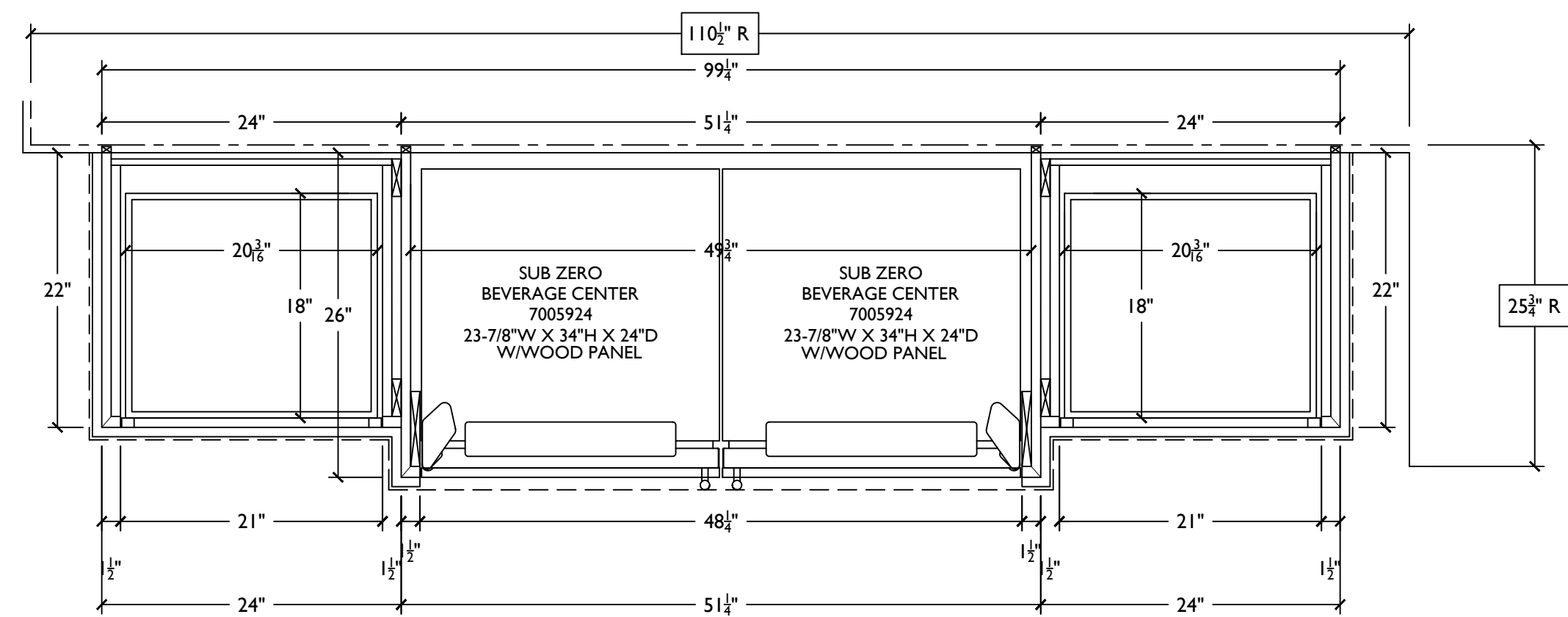
**3 SECTION -KITCHEN (EAST)**  
SCALE: 1"=1'-0"



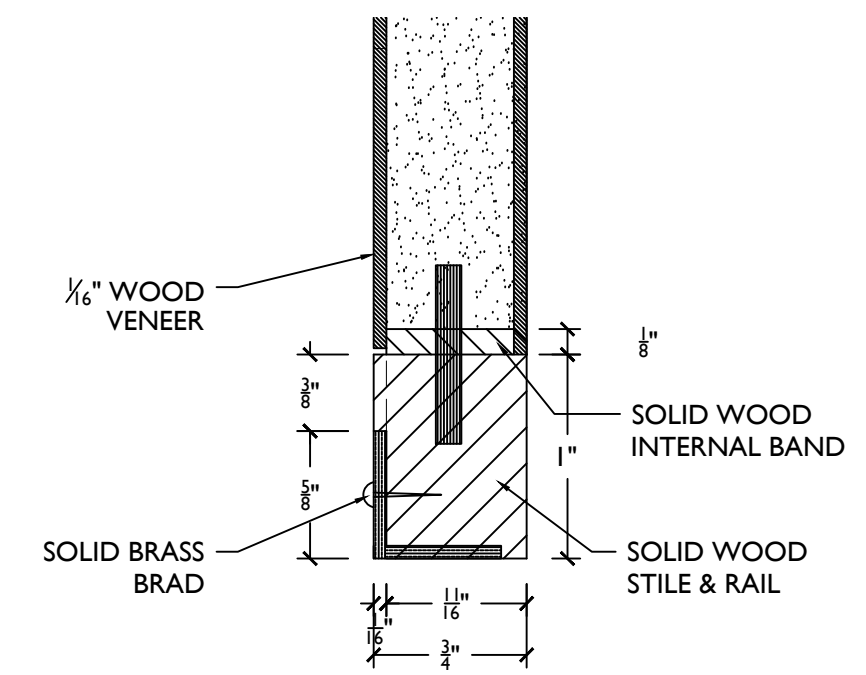
**4 SECTION -KITCHEN (EAST)**  
SCALE: 1"=1'-0"



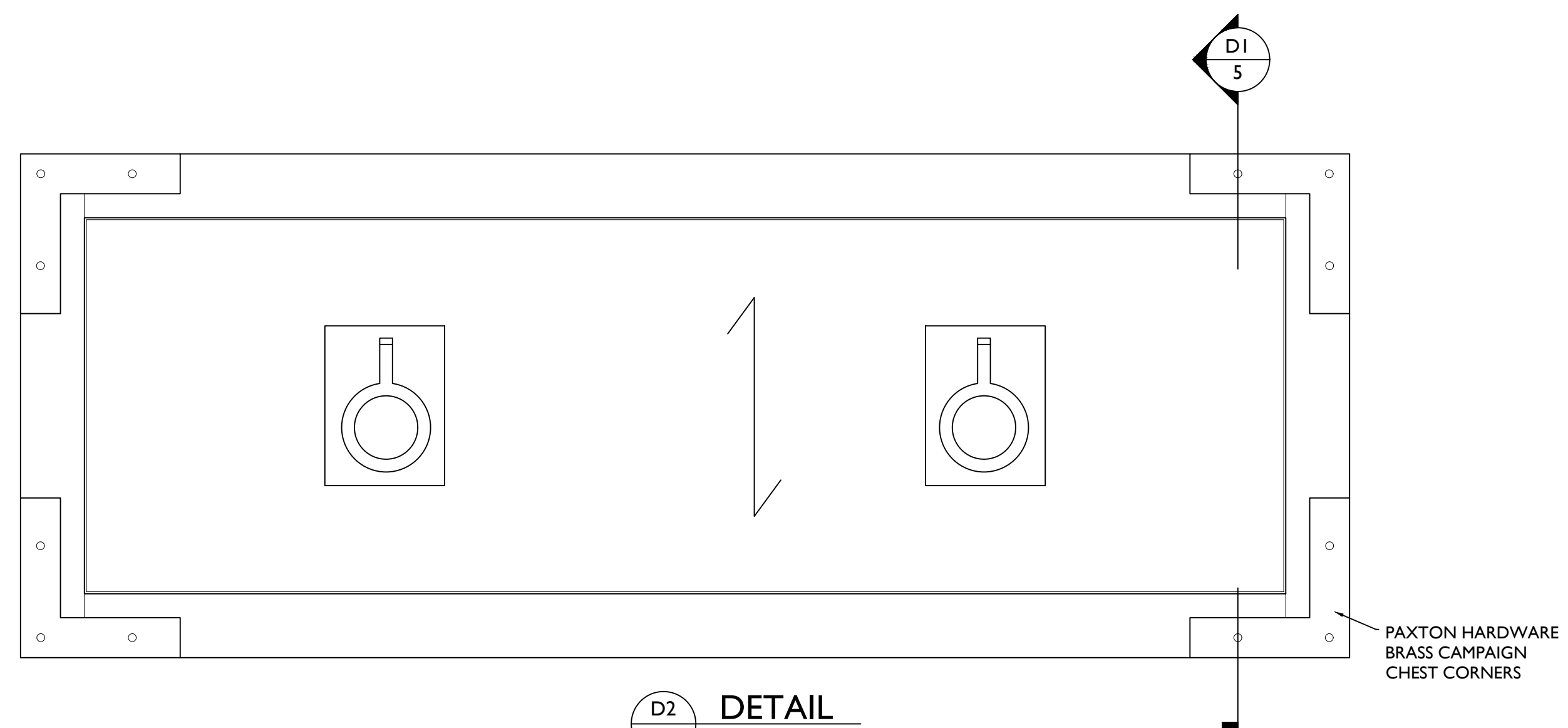
**1 SECTION -KITCHEN (EAST)**  
SCALE: 1"=1'-0"



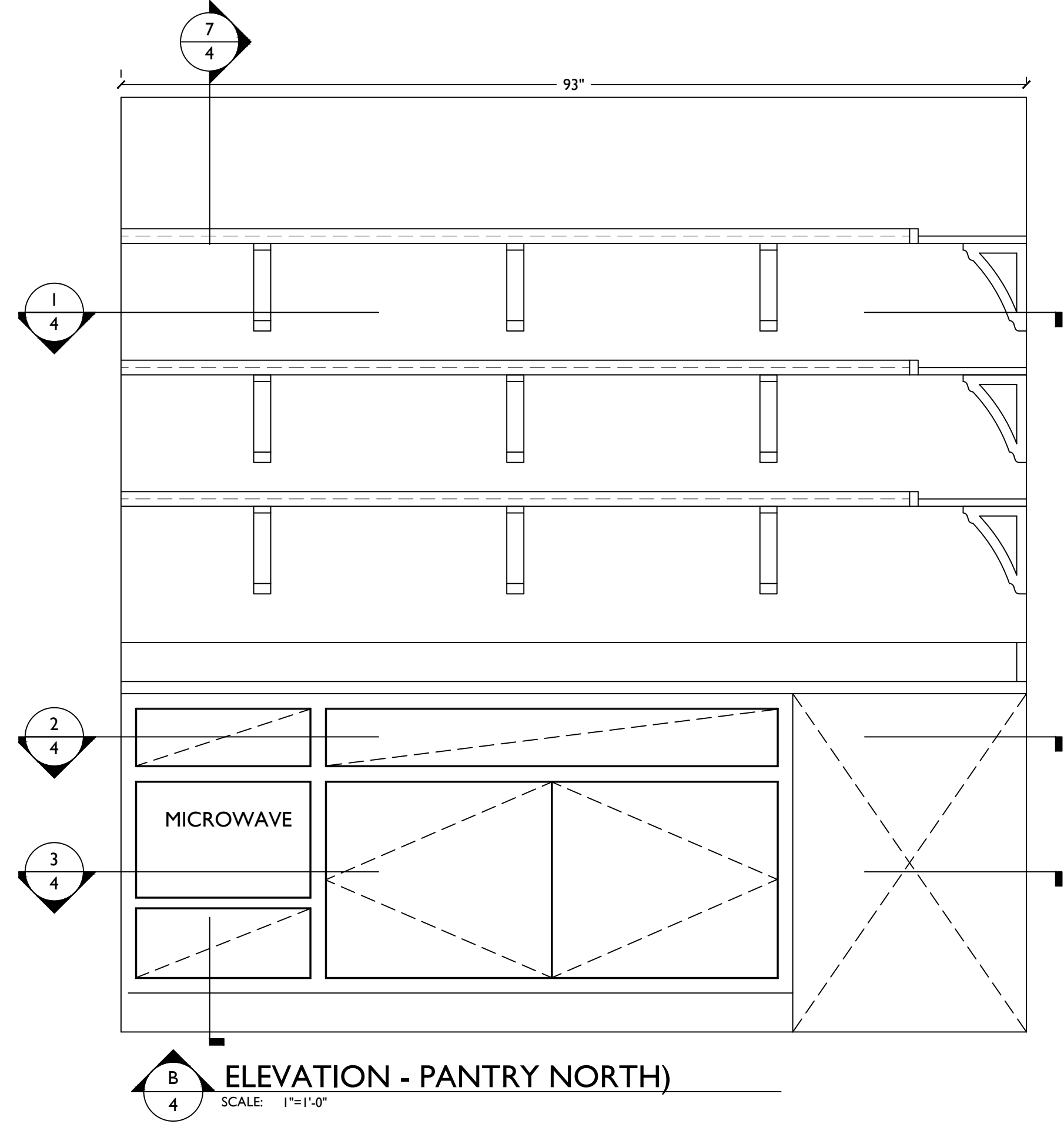
**2 SECTION -KITCHEN (EAST)**  
SCALE: 1"=1'-0"



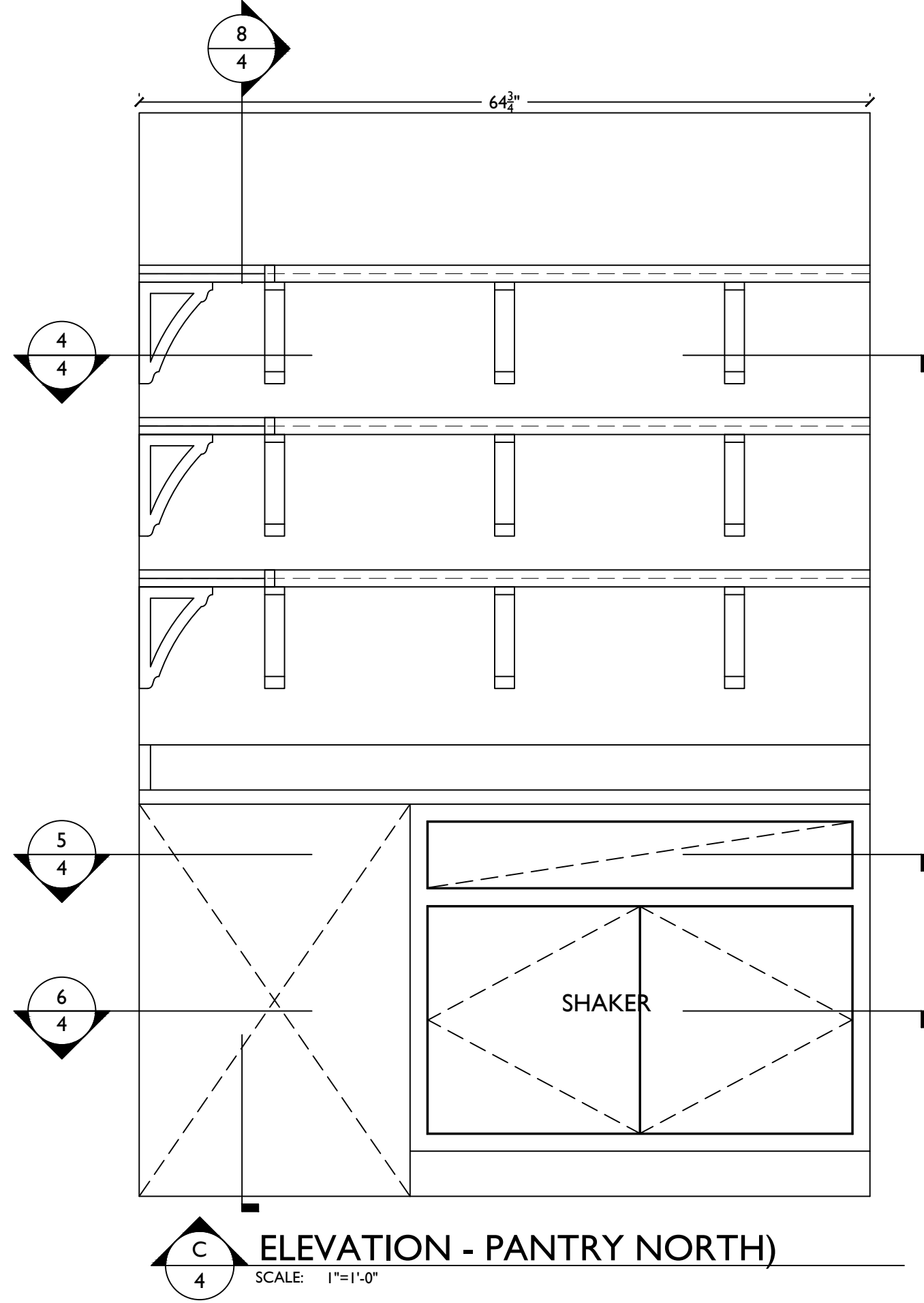
**D1 DETAIL**  
SCALE: FULL



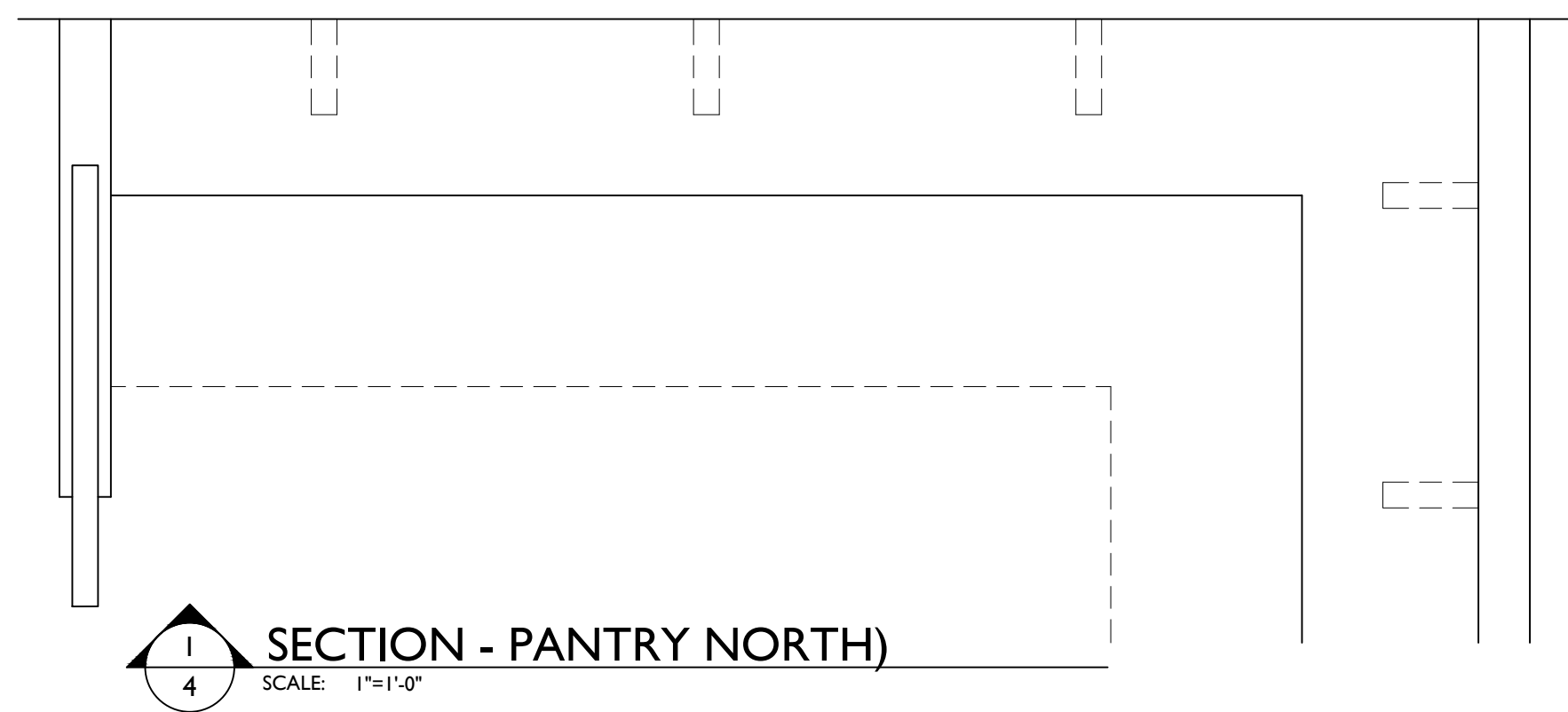
**D2 DETAIL**  
SCALE: HALF



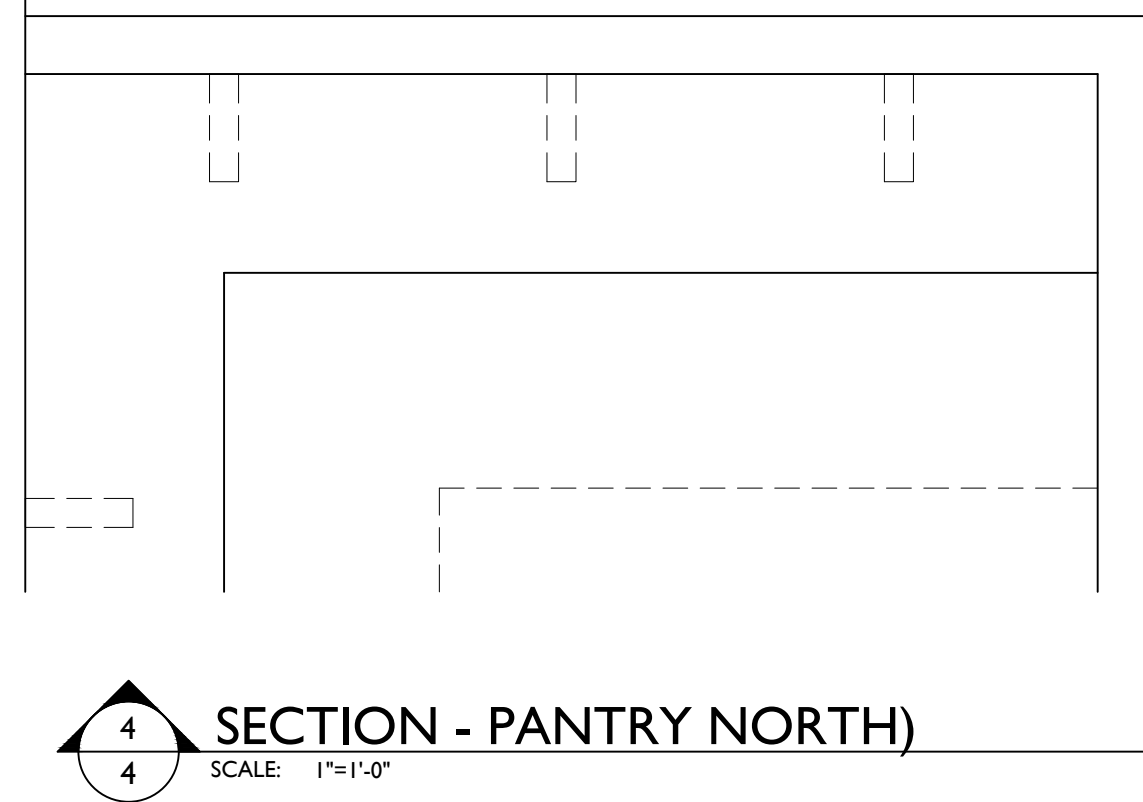
**B** ELEVATION - PANTRY NORTH)  
SCALE: 1"=1'-0"



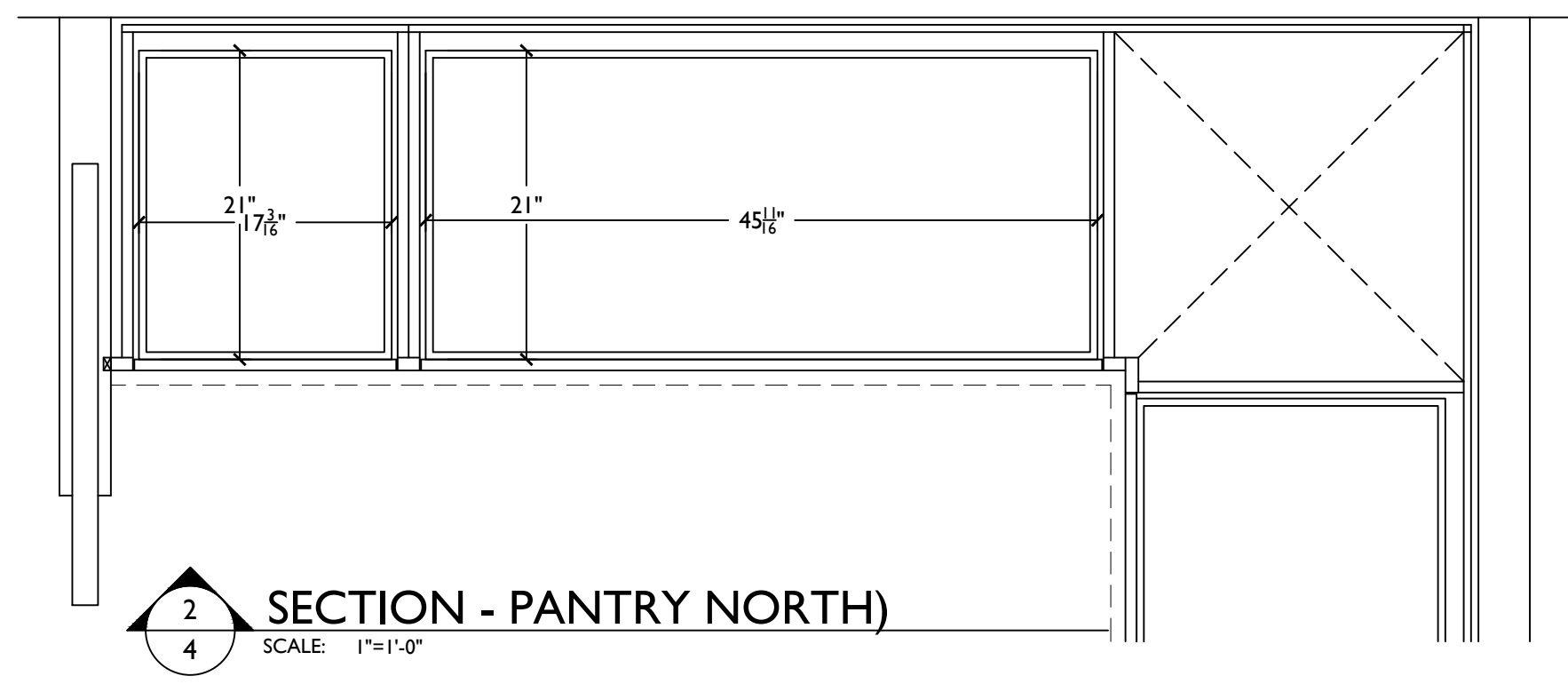
**C** ELEVATION - PANTRY NORTH)  
SCALE: 1"=1'-0"



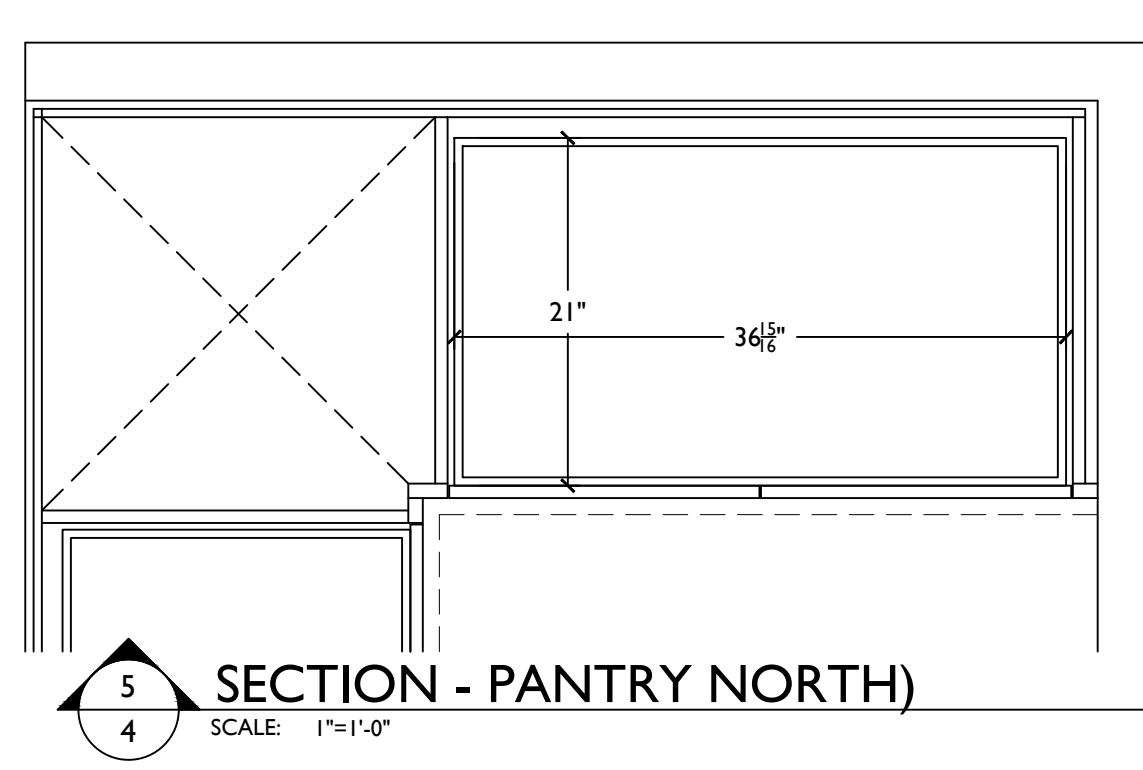
**1** SECTION - PANTRY NORTH)  
SCALE: 1"=1'-0"



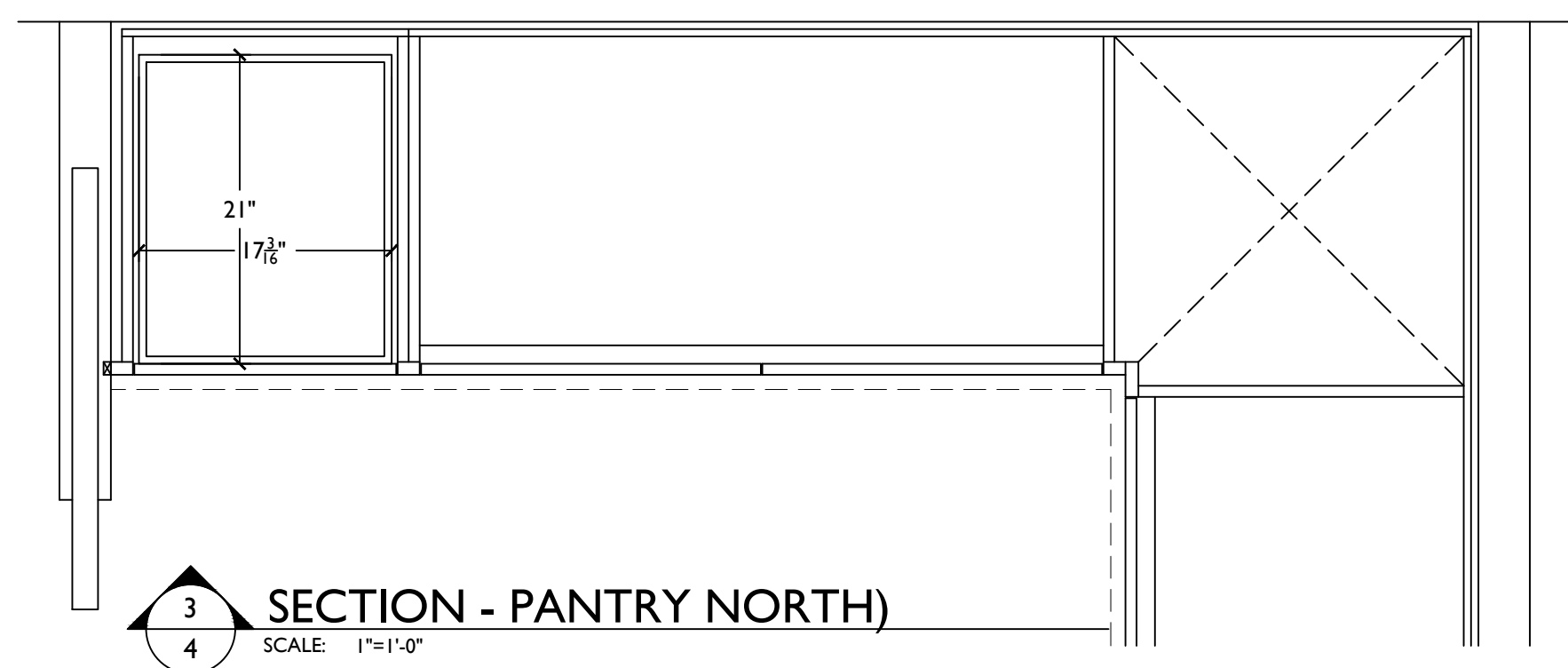
**4** SECTION - PANTRY NORTH)  
SCALE: 1"=1'-0"



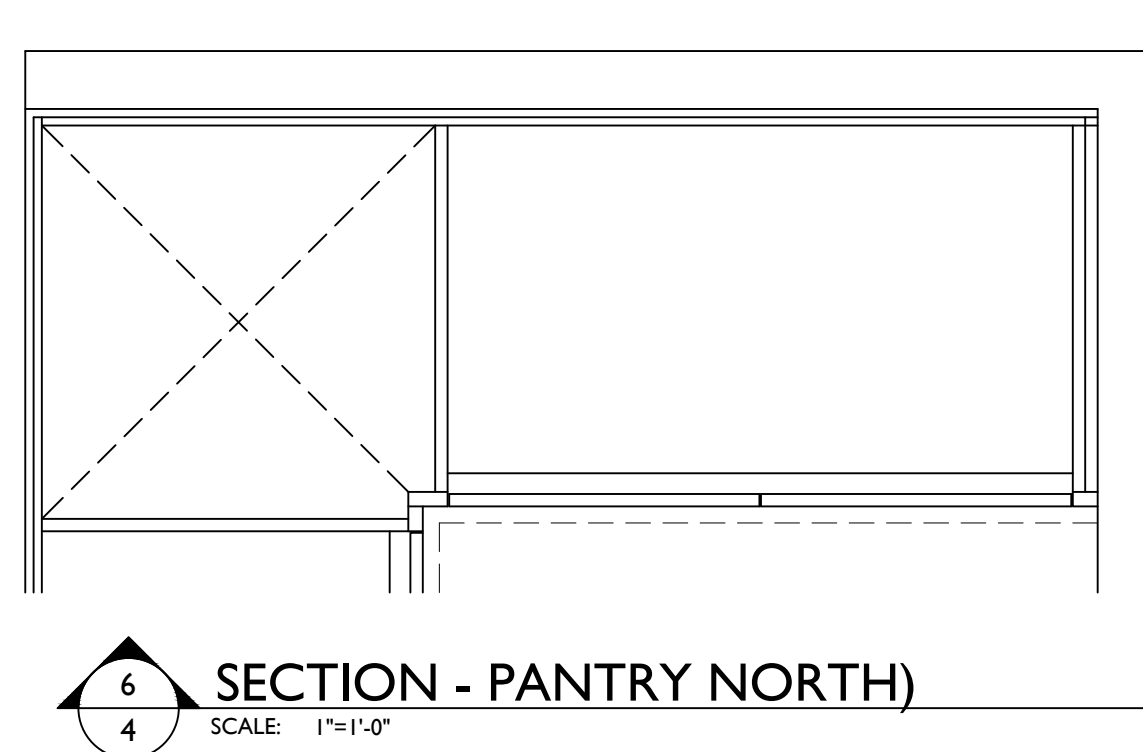
**2** SECTION - PANTRY NORTH)  
SCALE: 1"=1'-0"



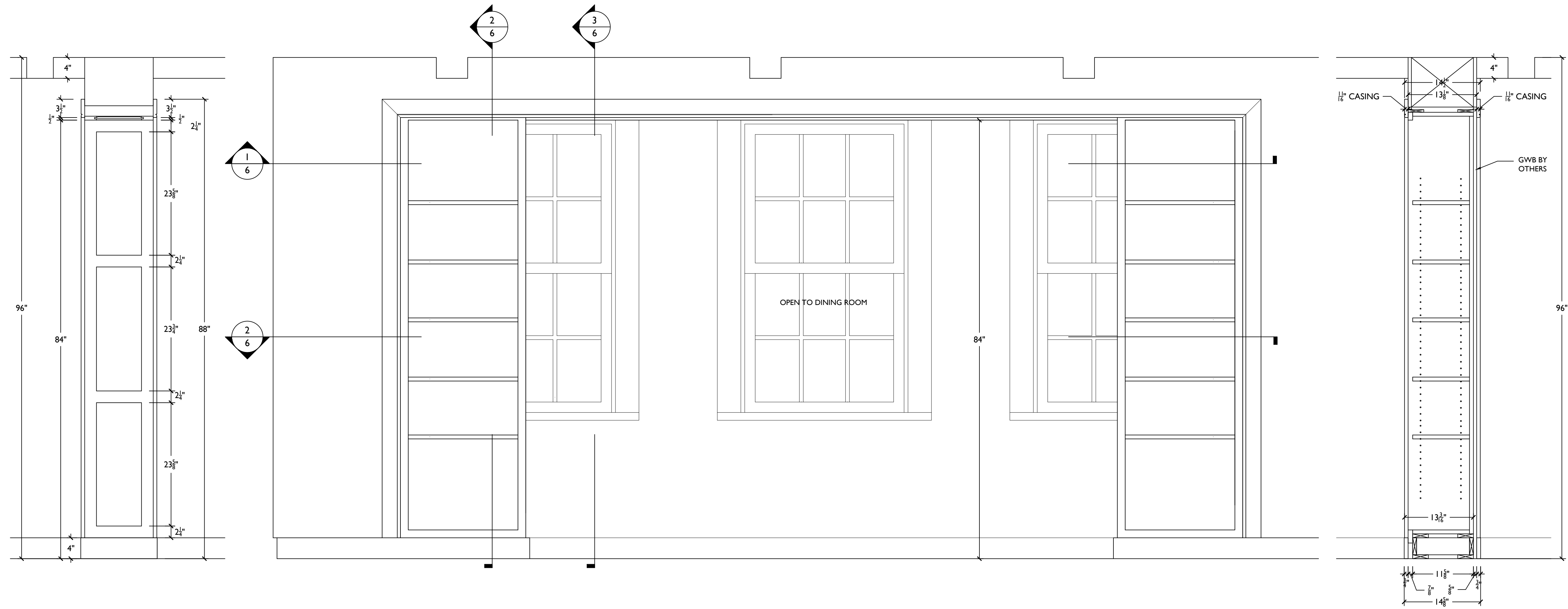
**5** SECTION - PANTRY NORTH)  
SCALE: 1"=1'-0"



**3** SECTION - PANTRY NORTH)  
SCALE: 1"=1'-0"



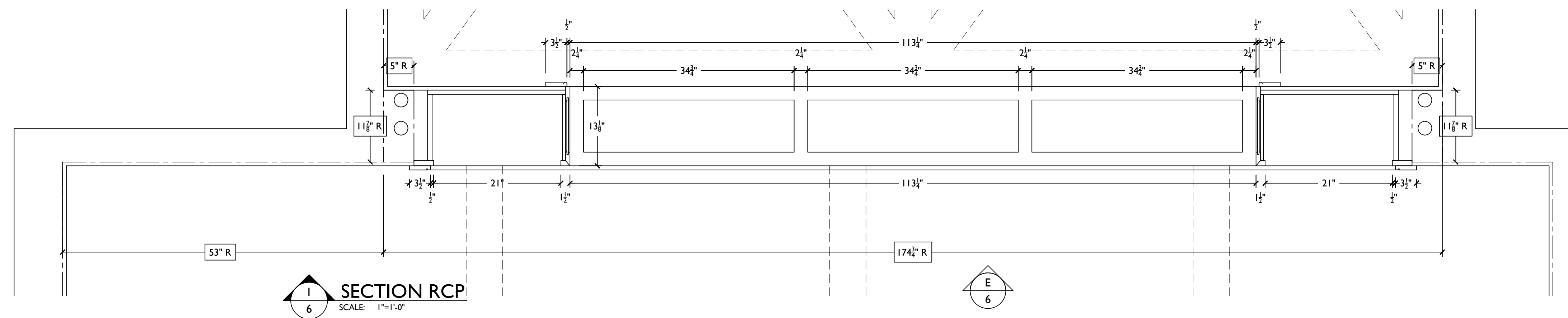
**6** SECTION - PANTRY NORTH)  
SCALE: 1"=1'-0"



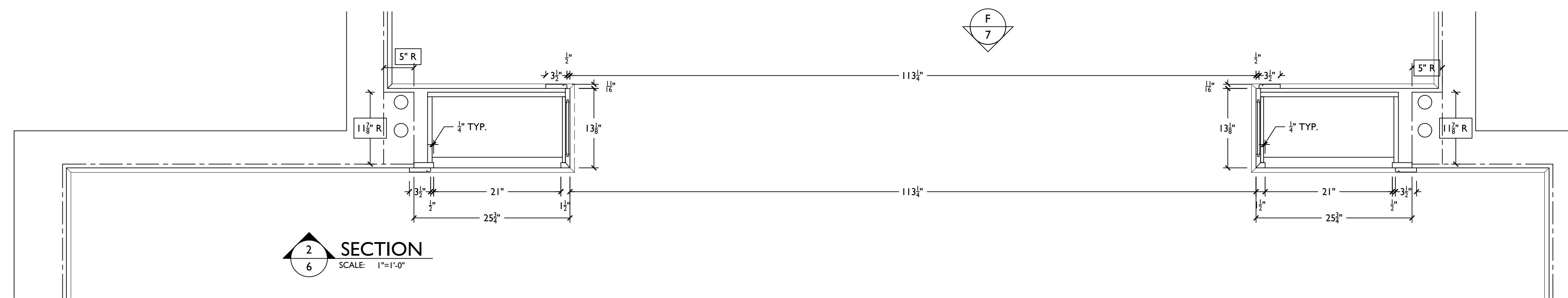
**3 SECTION**  
SCALE: 1"=1'-0"

**E ELEVATION - KITCHEN (WEST) @ BOOKCASES**  
SCALE: 1"=1'-0"

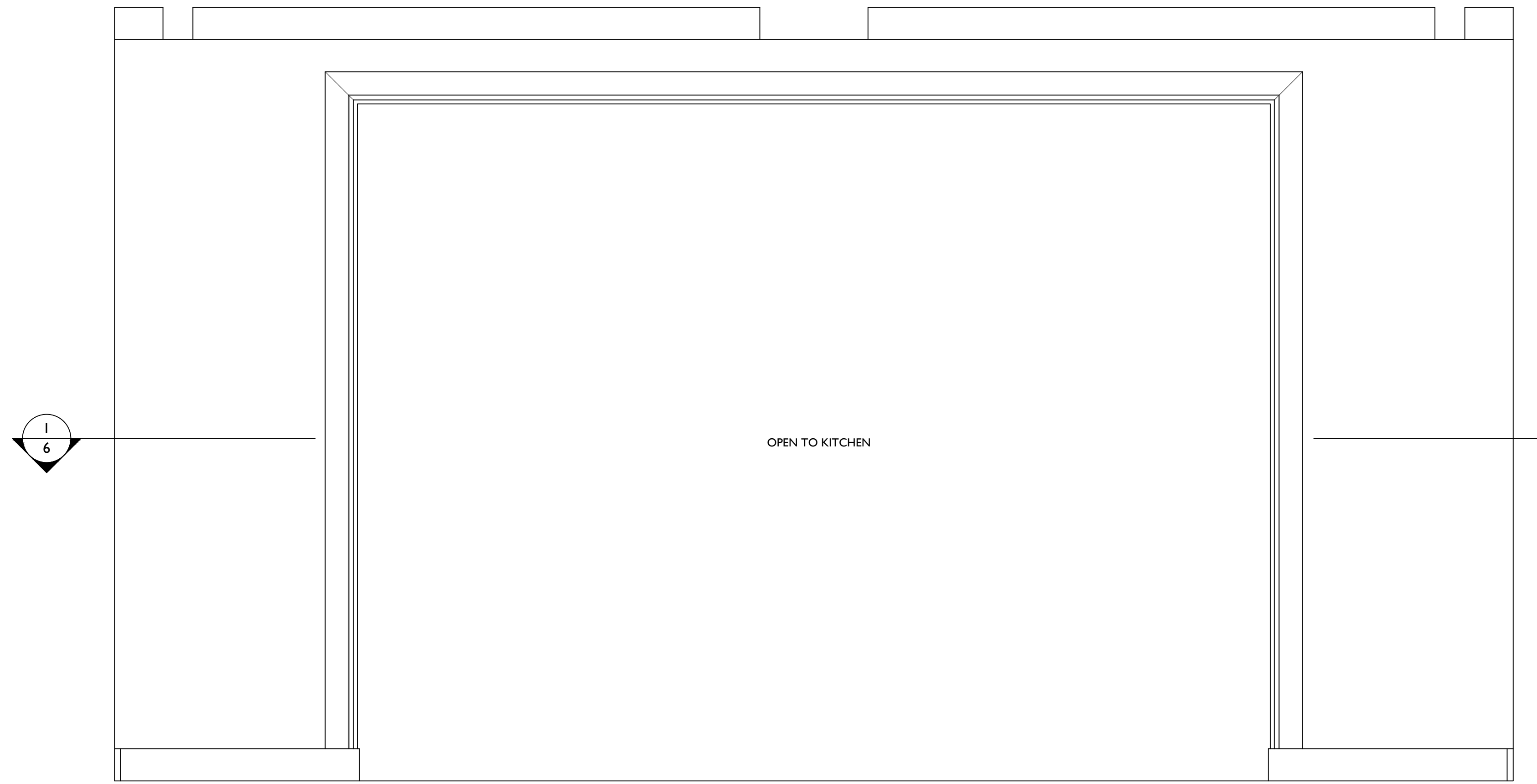
**2 SECTION**  
SCALE: 1"=1'-0"



**1 SECTION RCP**  
SCALE: 1"=1'-0"



**2 SECTION**  
SCALE: 1"=1'-0"



 ELEVATION - DINING ROOM) @ BOOKCASES  
SCALE: 1"=1'-0"

