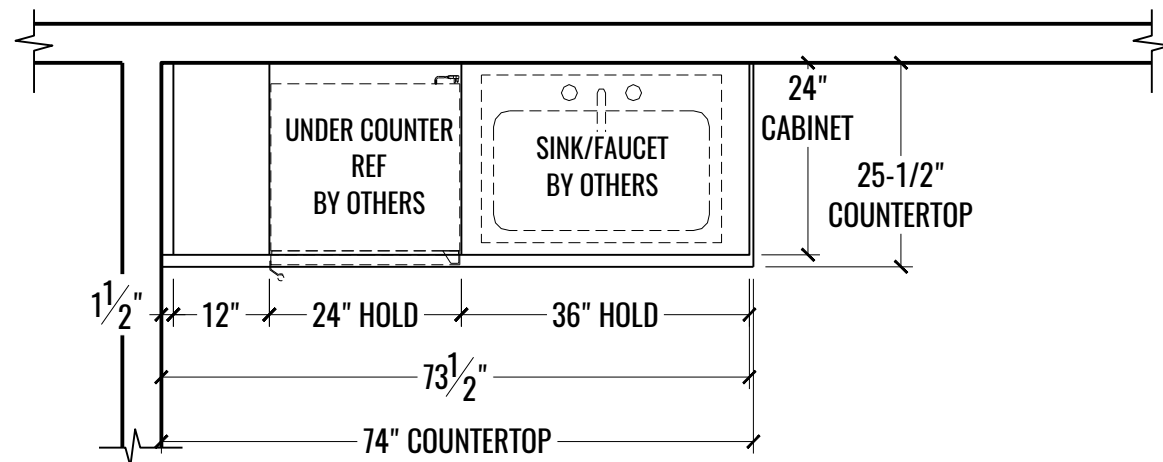
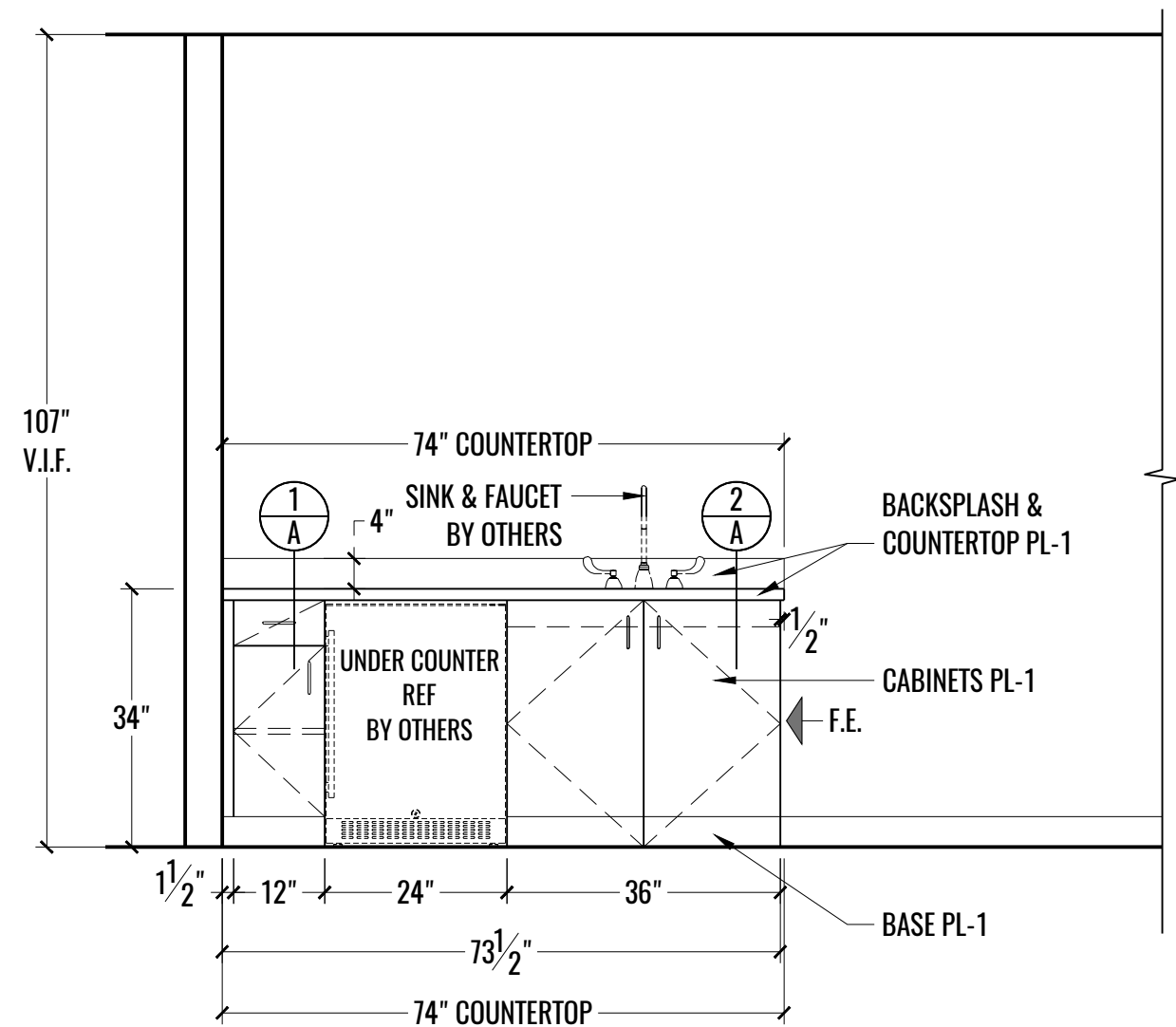


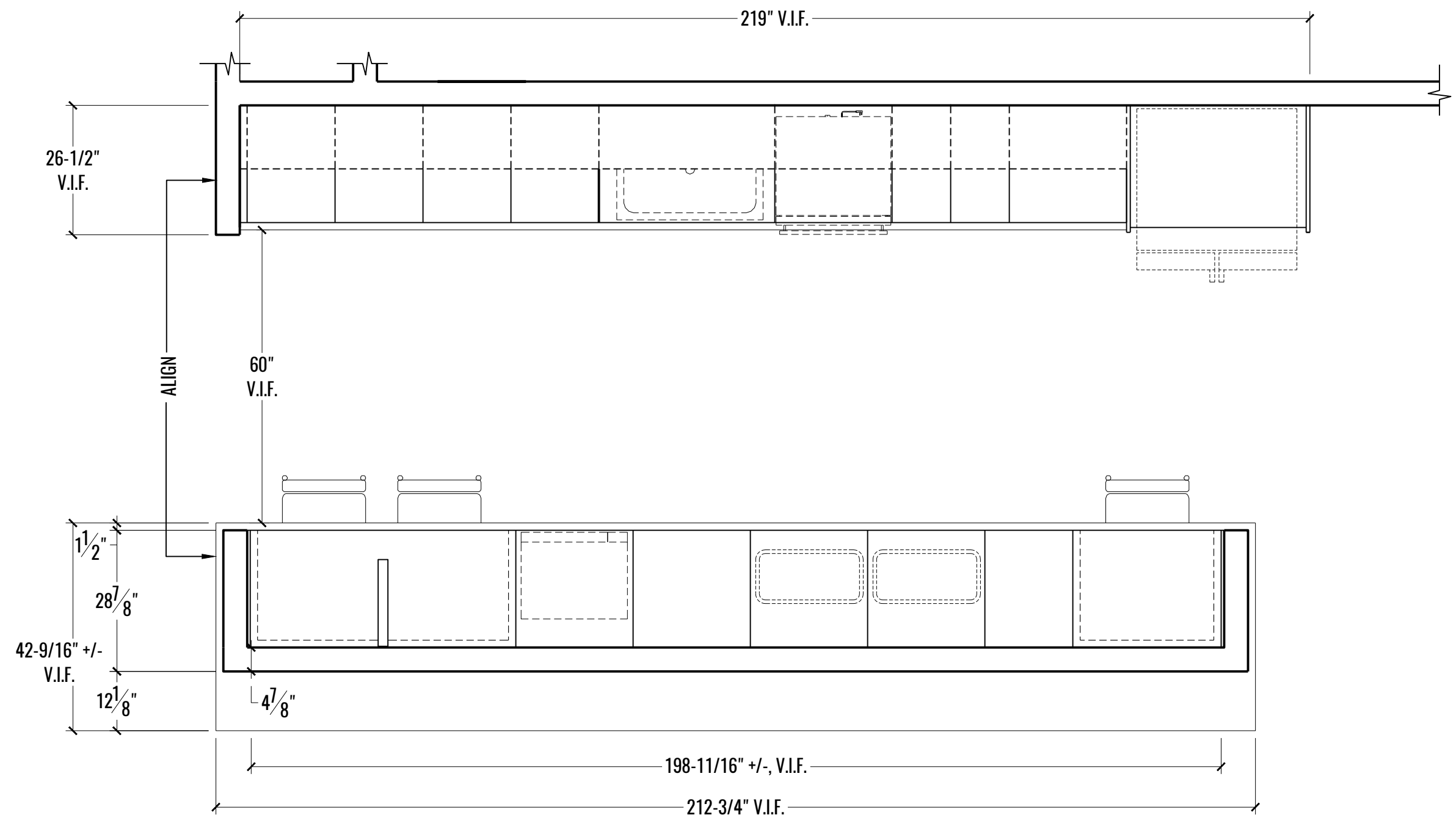
1 PLAN: PROJECT SCOPE  
 1 SCALE: NOT TO SCALE



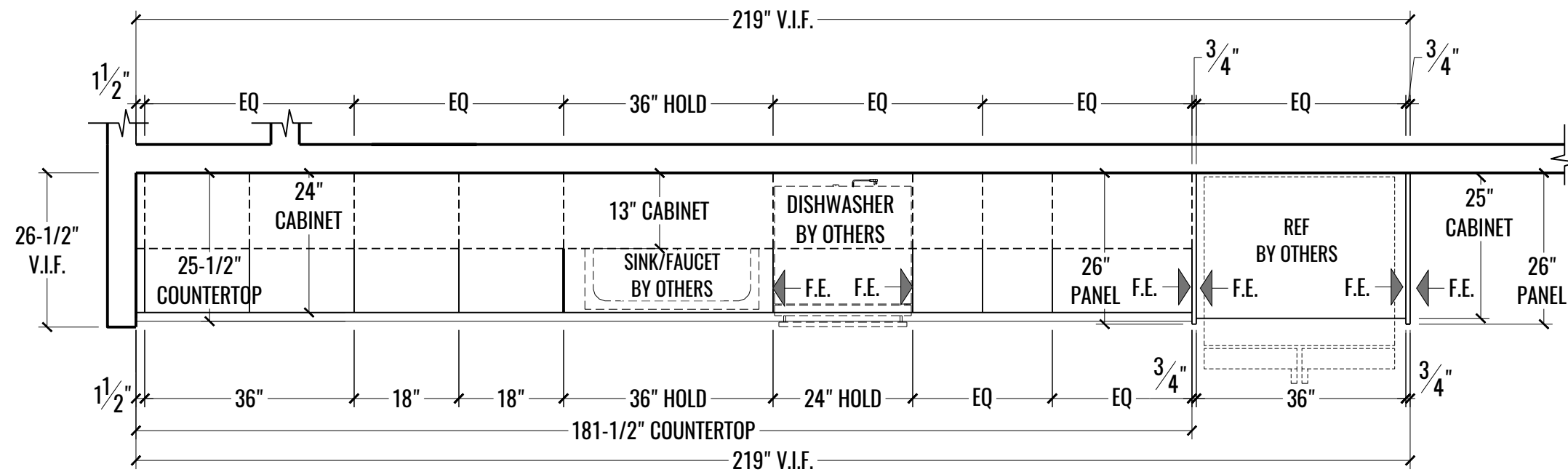
1 PLAN: WELLNESS - 403  
2 SCALE: 1/2" = 1'-0"

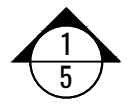


2 ELEVATION: WELLNESS - 403  
2 SCALE: 1/2" = 1'-0"

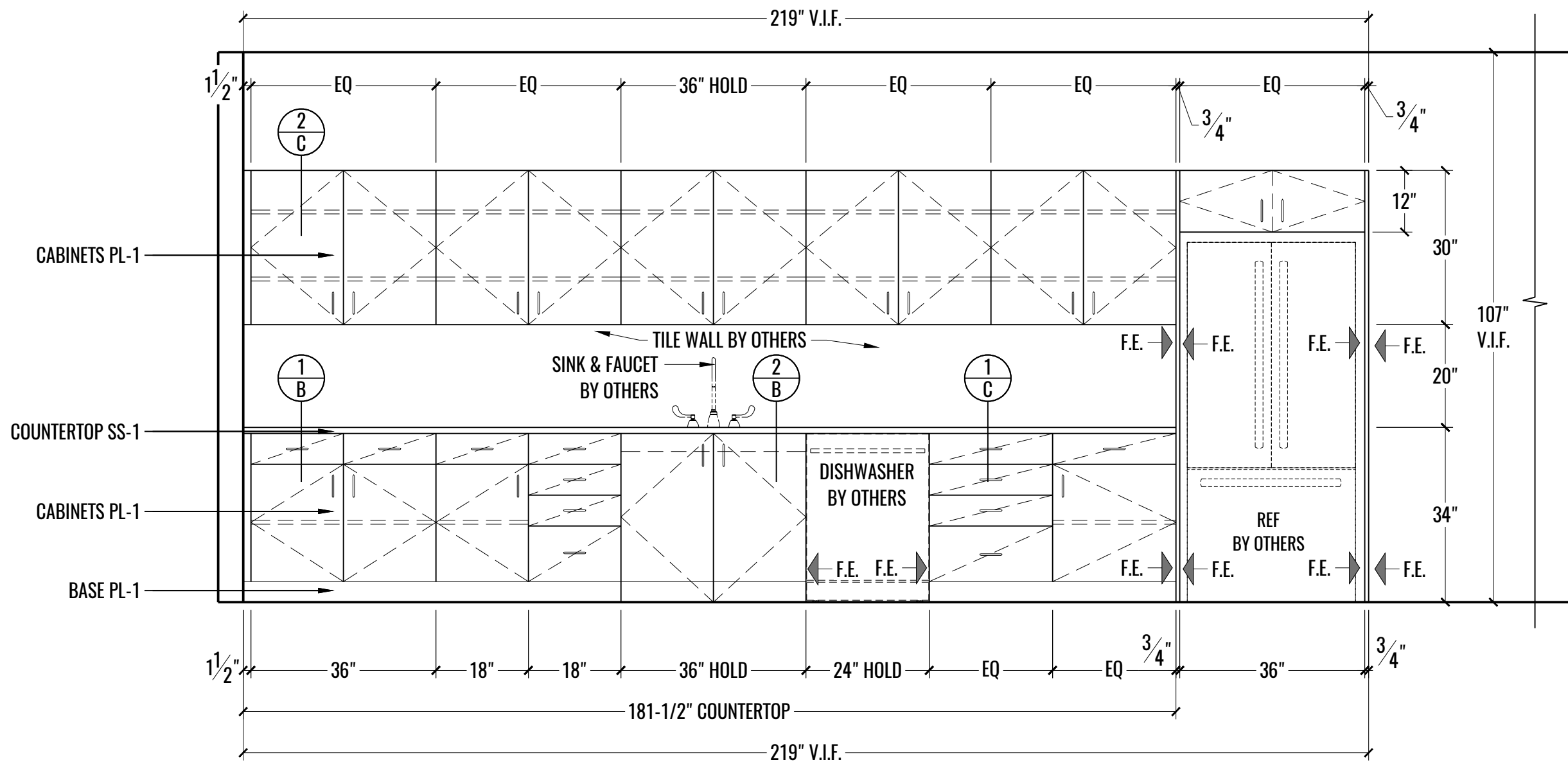


1 PLAN: BREAK ROOM/ISLAND (OVERALL LAYOUT) REFERENCE  
 3 SCALE: 1/2" = 1'-0"



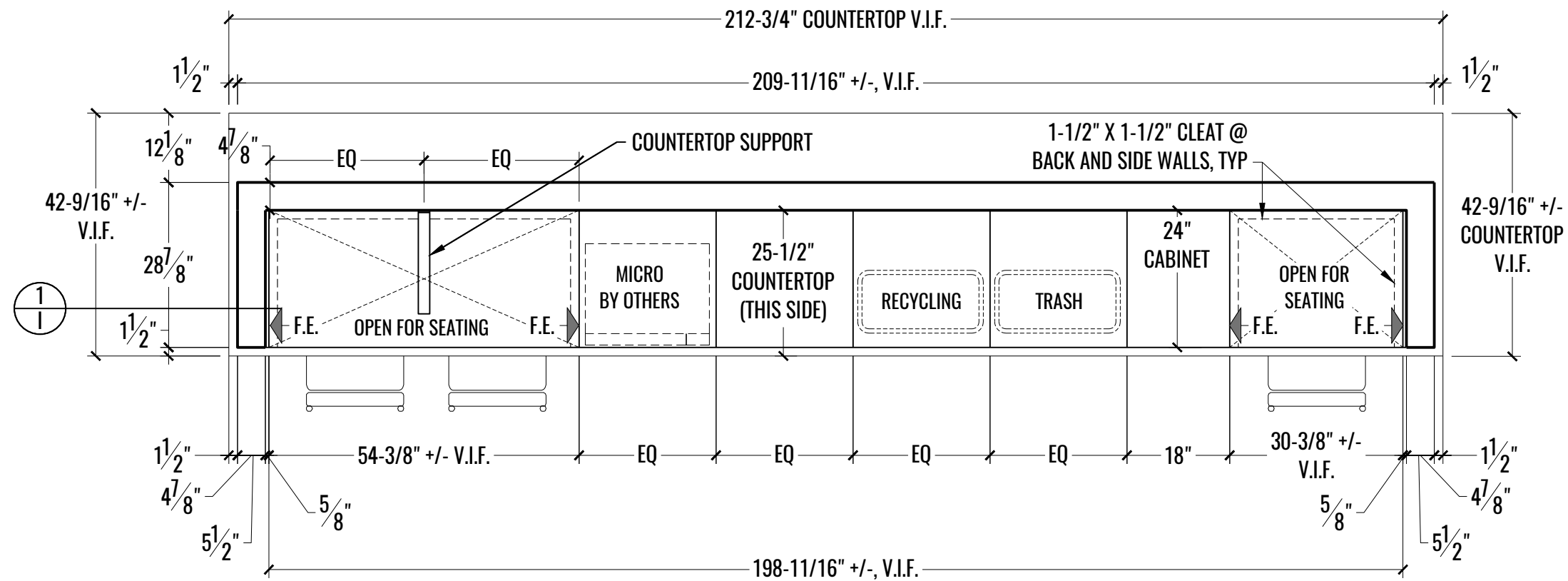
  
**BREAK ROOM**  
**426**

1 PLAN: BREAK ROOM - 426  
4 SCALE: 1/2" = 1'-0"



1 ELEVATION: BREAK ROOM - 426  
 5 SCALE: 1/2" = 1'-0"

BREAK ROOM/ISLAND  
426

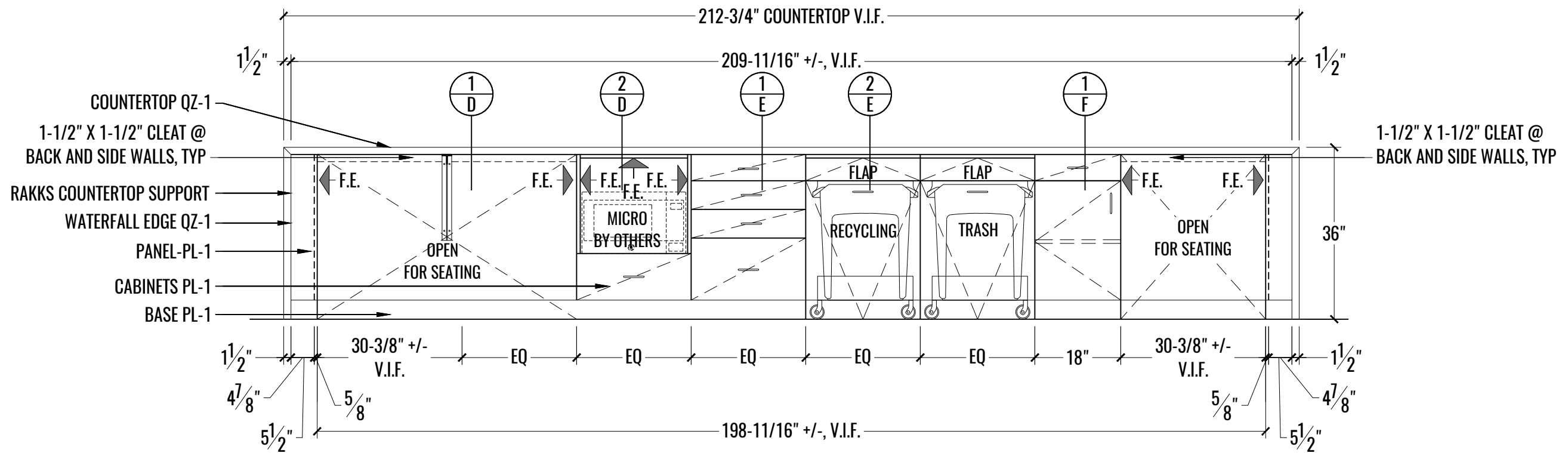


BREAK ROOM/ISLAND  
426



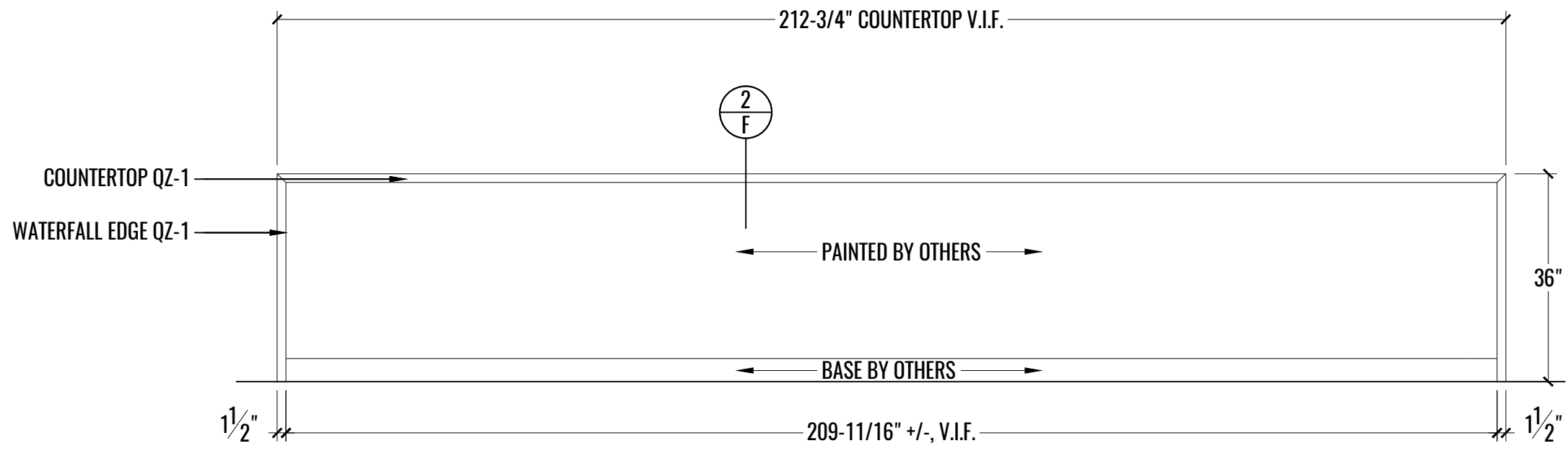
1 PLAN: BREAK ROOM/ISLAND - 426  
6 SCALE: 1/2" = 1'-0"

DRAWING NUMBER  
MW6



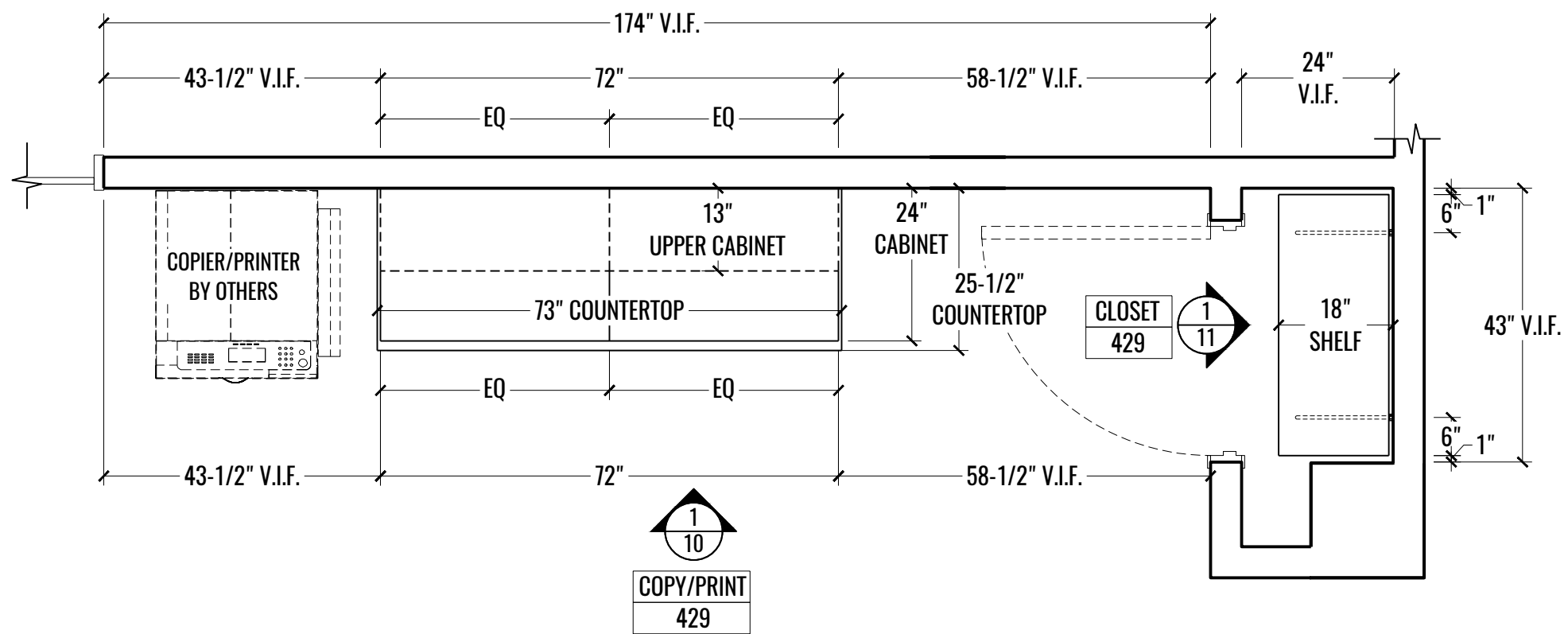
1  
7

ELEVATION: BREAK ROOM/ISLAND - 426  
SCALE: 1/2" = 1'-0"

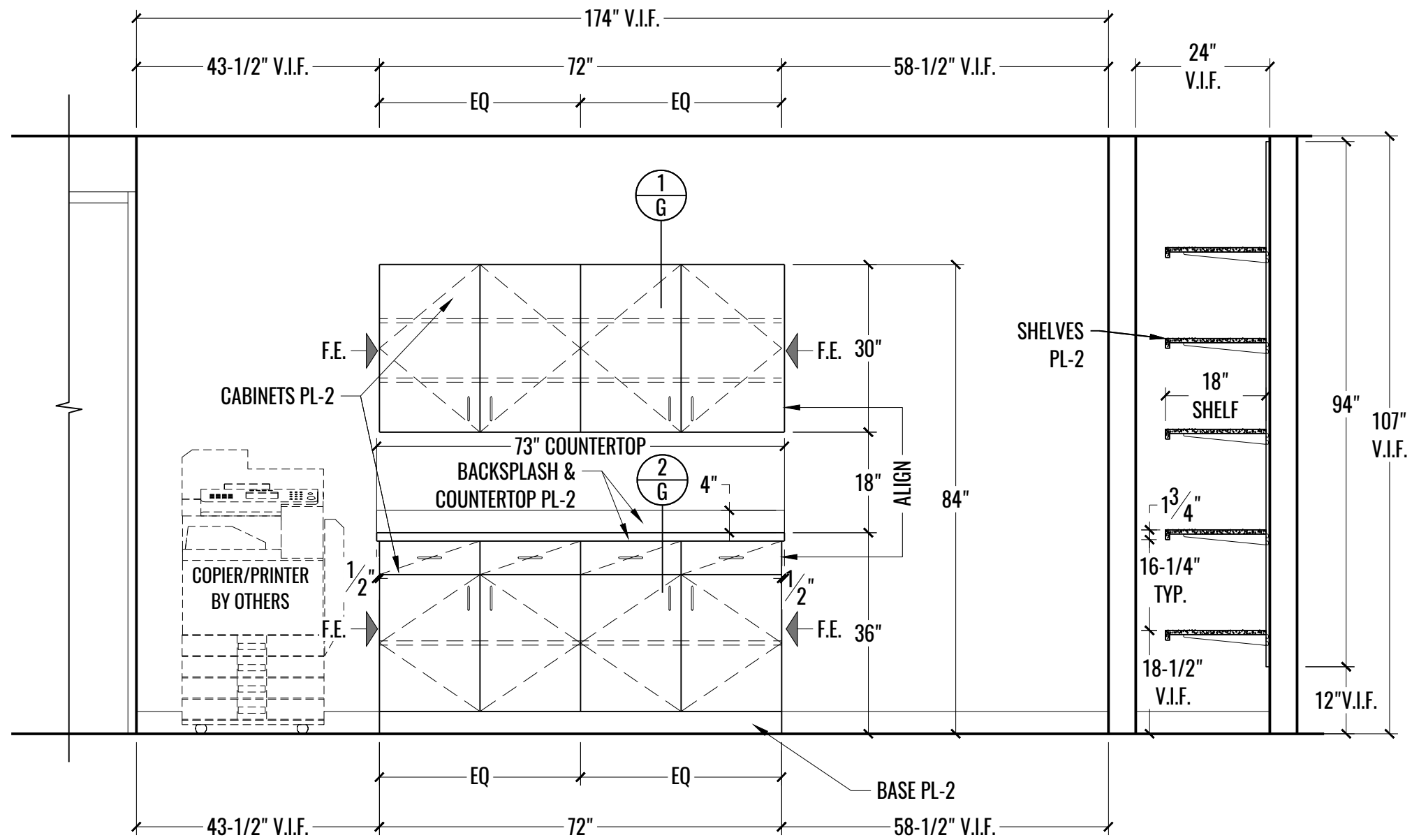


1  
 8  
 ELEVATION: BREAK ROOM/ISLAND (SEATING SIDE) - 426  
 SCALE: 1/2" = 1'-0"

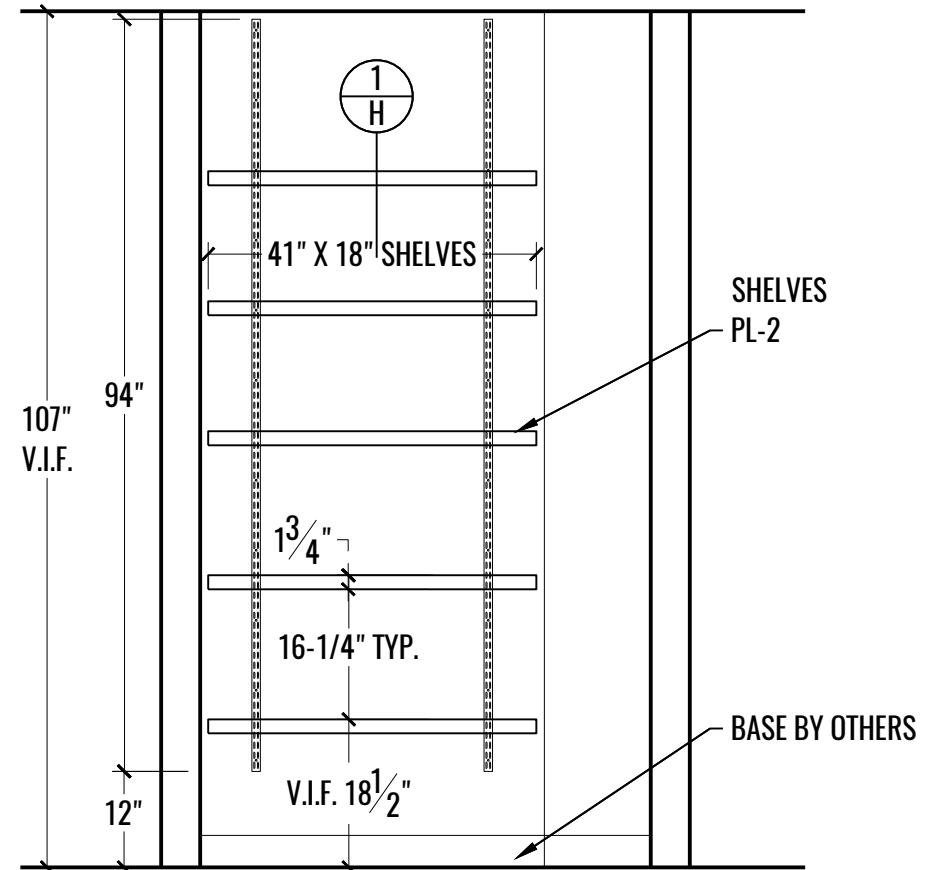




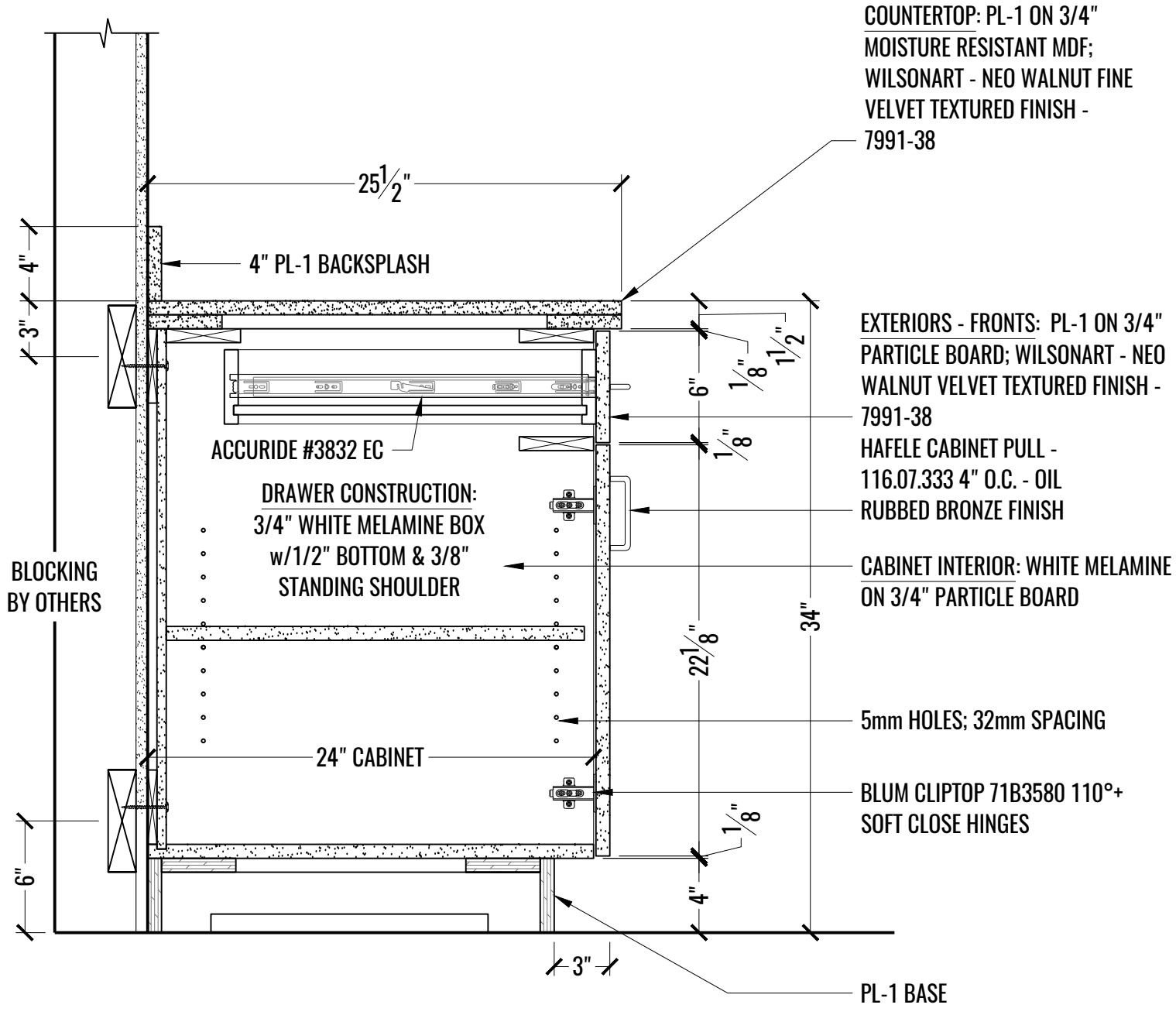
1 PLAN: COPY/PRINT/CLOSET - 429  
 9 SCALE: 1/2" = 1'-0"



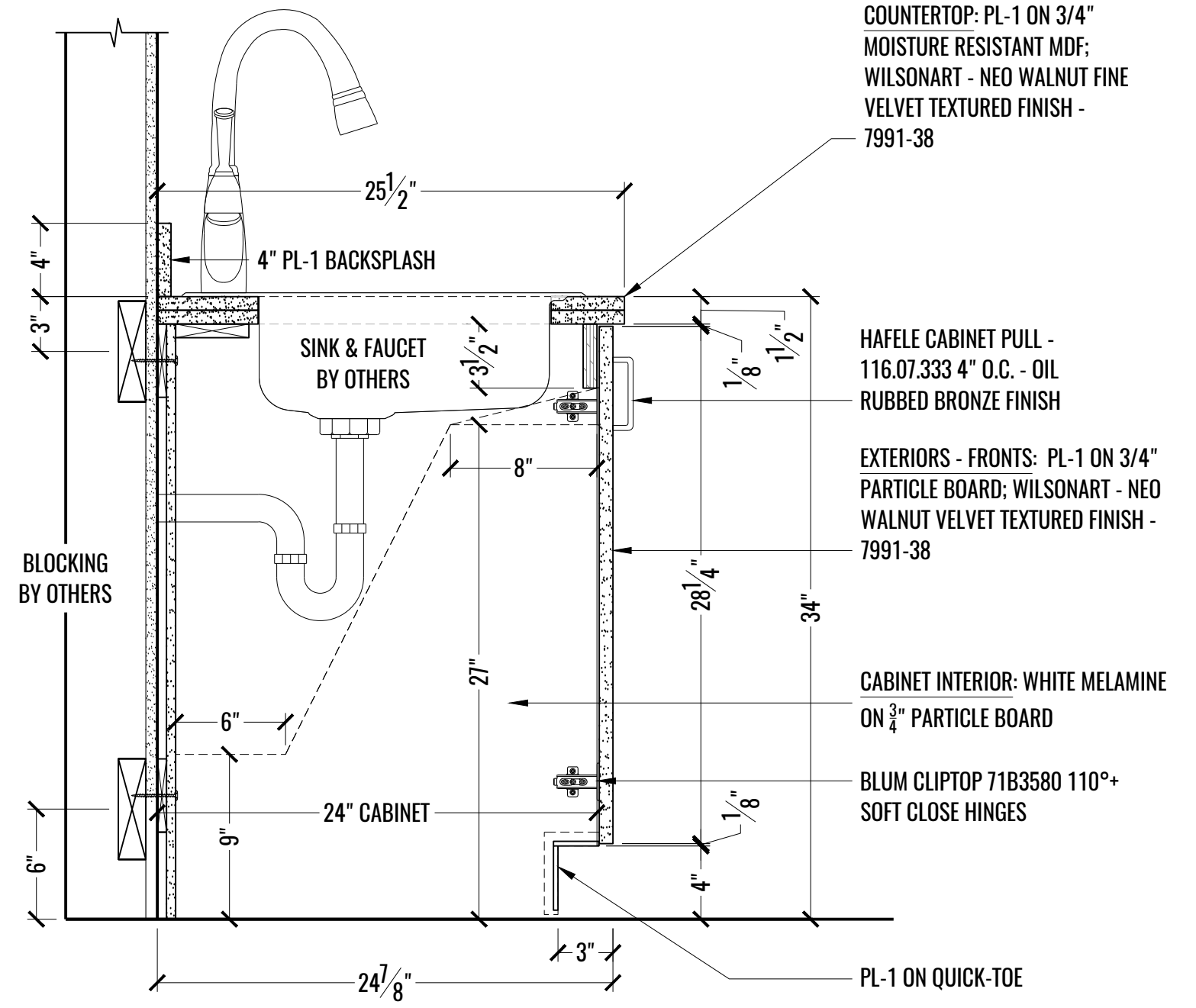
1  
10 ELEVATION: COPY/PRINT - 429  
SCALE: 1/2" = 1'-0"



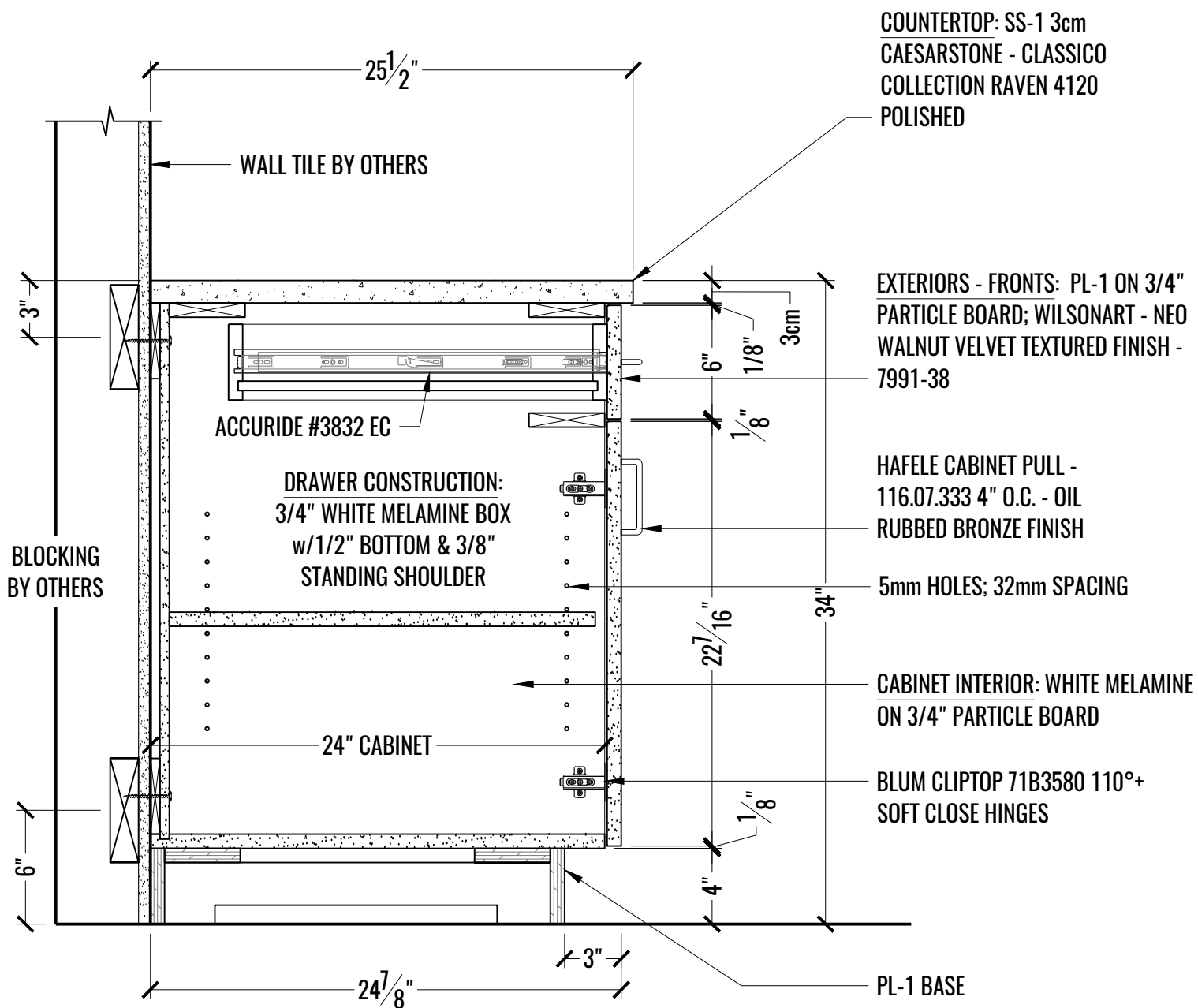
1  
 11 ELEVATION: CLOSET - 429  
 SCALE: 1/2" = 1'-0"



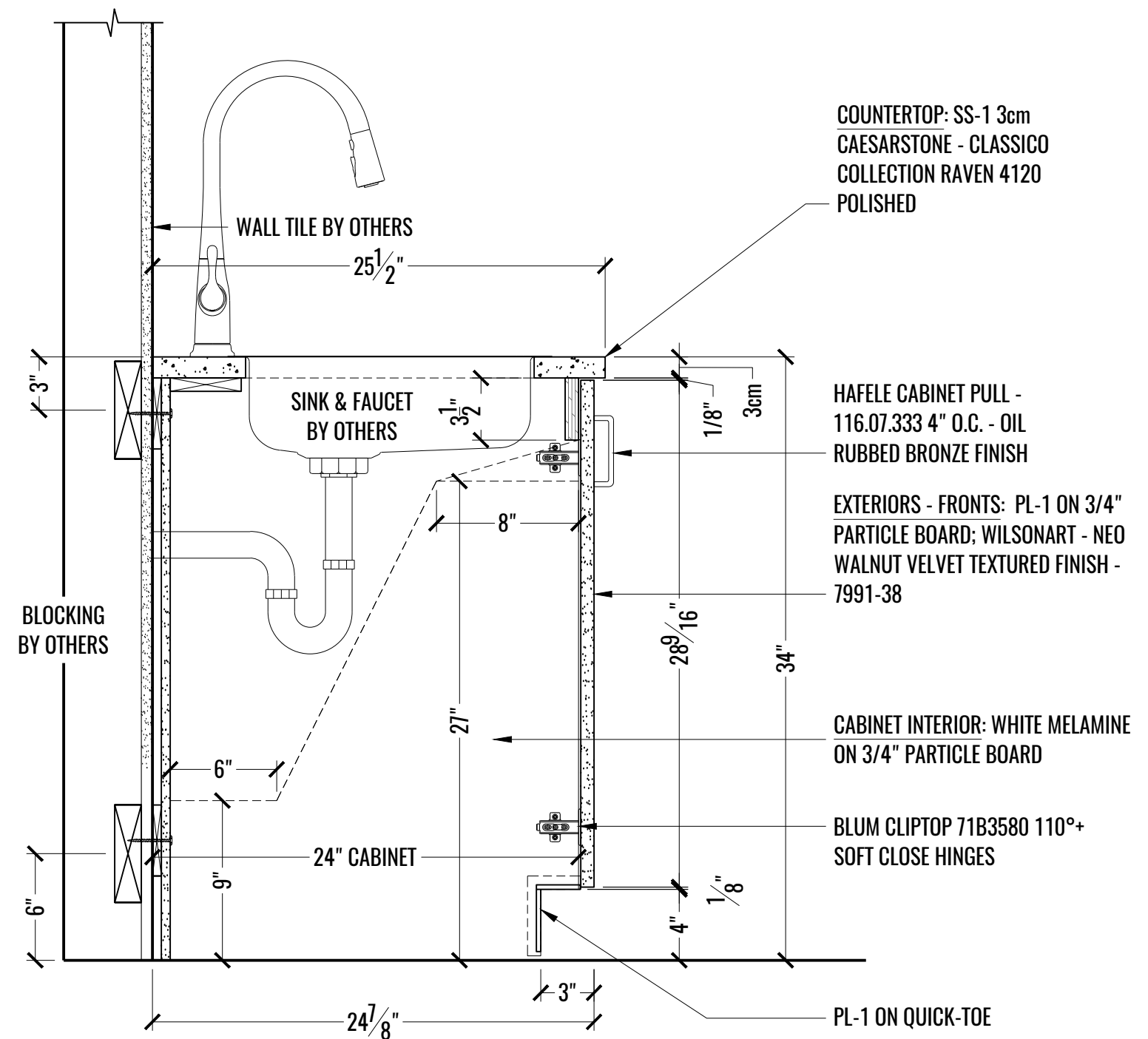
1 SECTION: BASE CABINET W/DRAWER @ WELLNESS - 403  
A SCALE: 1-1/2" = 1'-0"



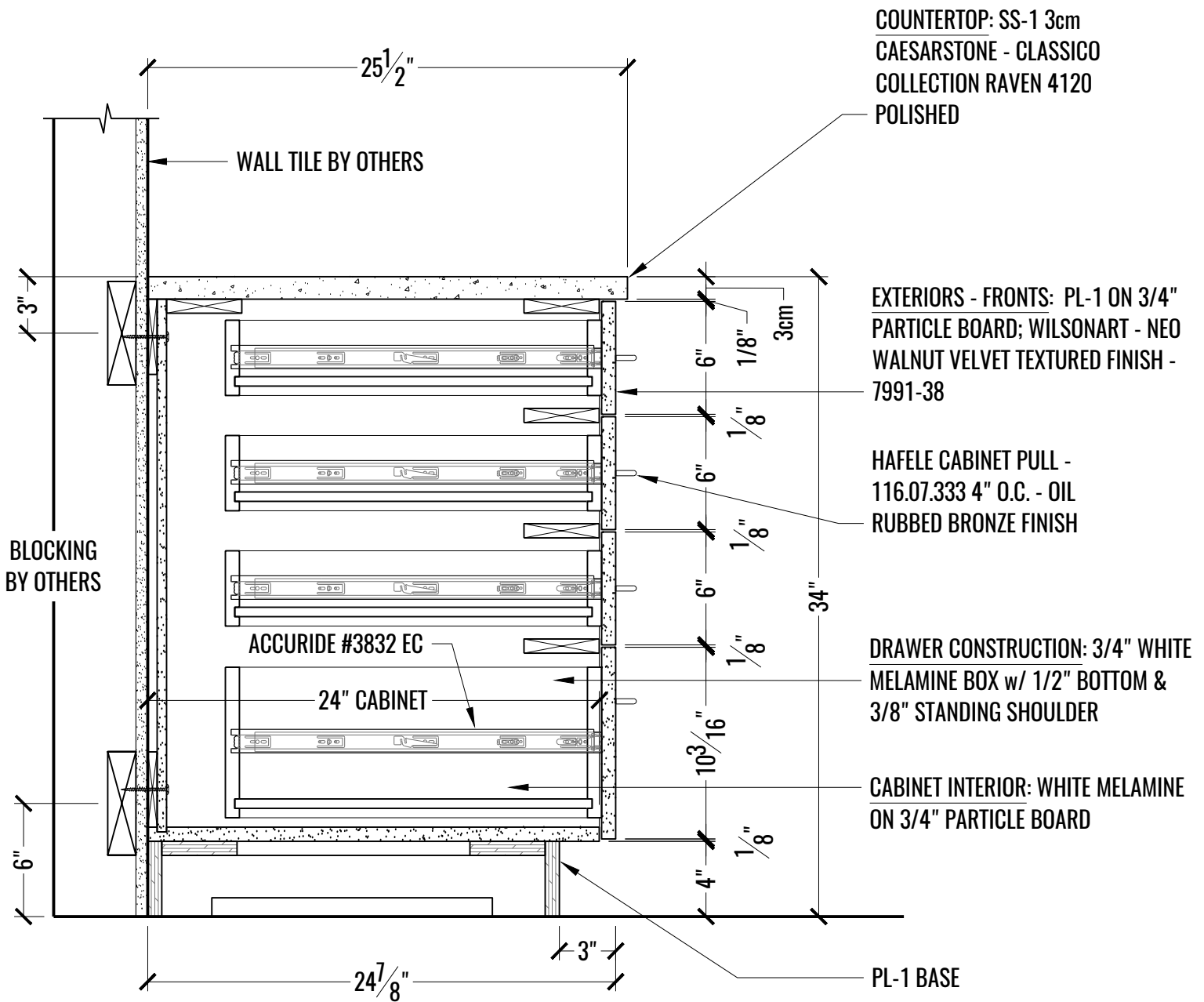
2 SECTION: BASE CABINET - SINK @ WELLNESS - 403  
A SCALE: 1-1/2" = 1'-0"



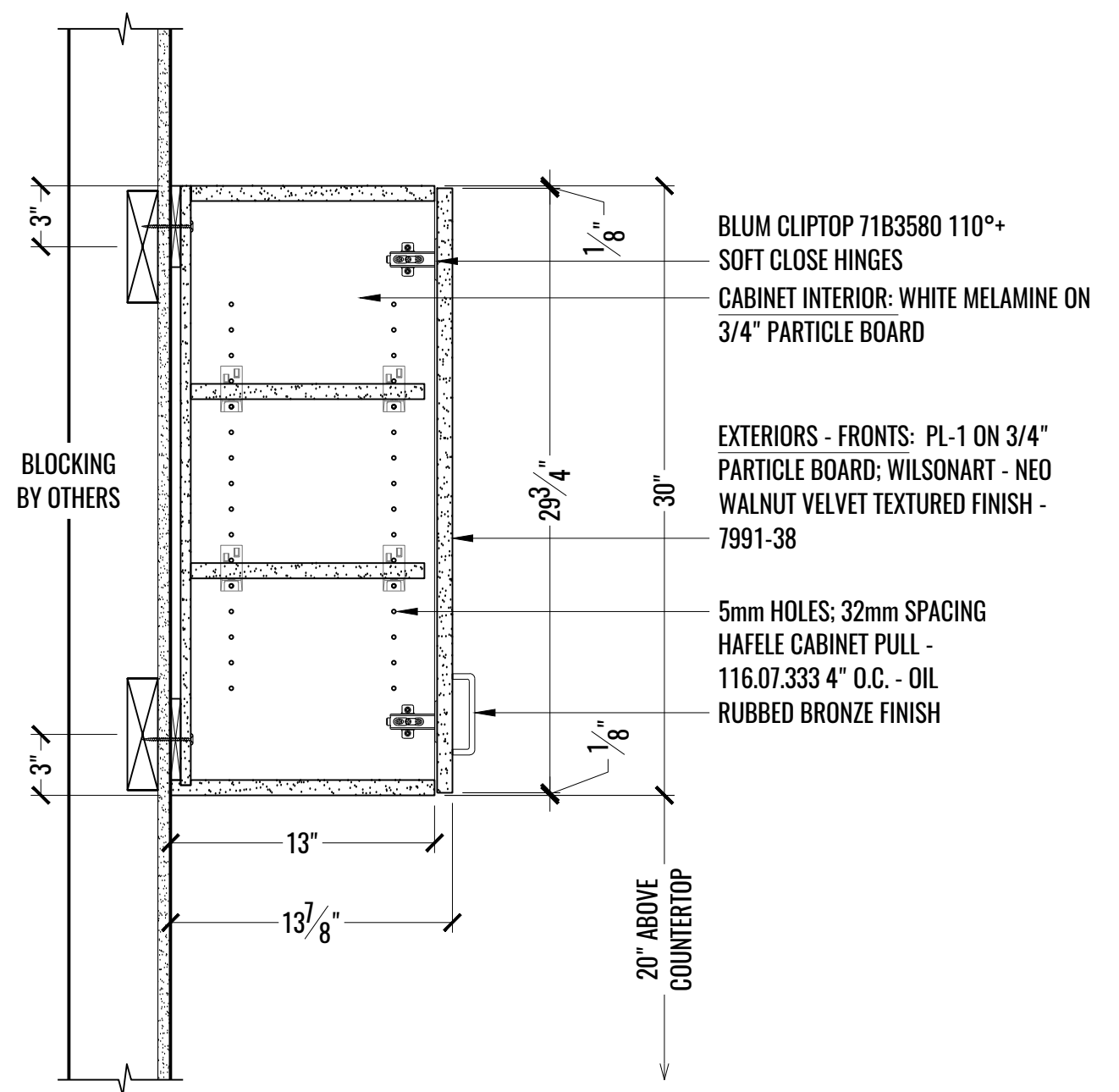
1 SECTION: BASE CABINET W/DRAWER @ BREAK ROOM - 426  
B SCALE: 1-1/2" = 1'-0"



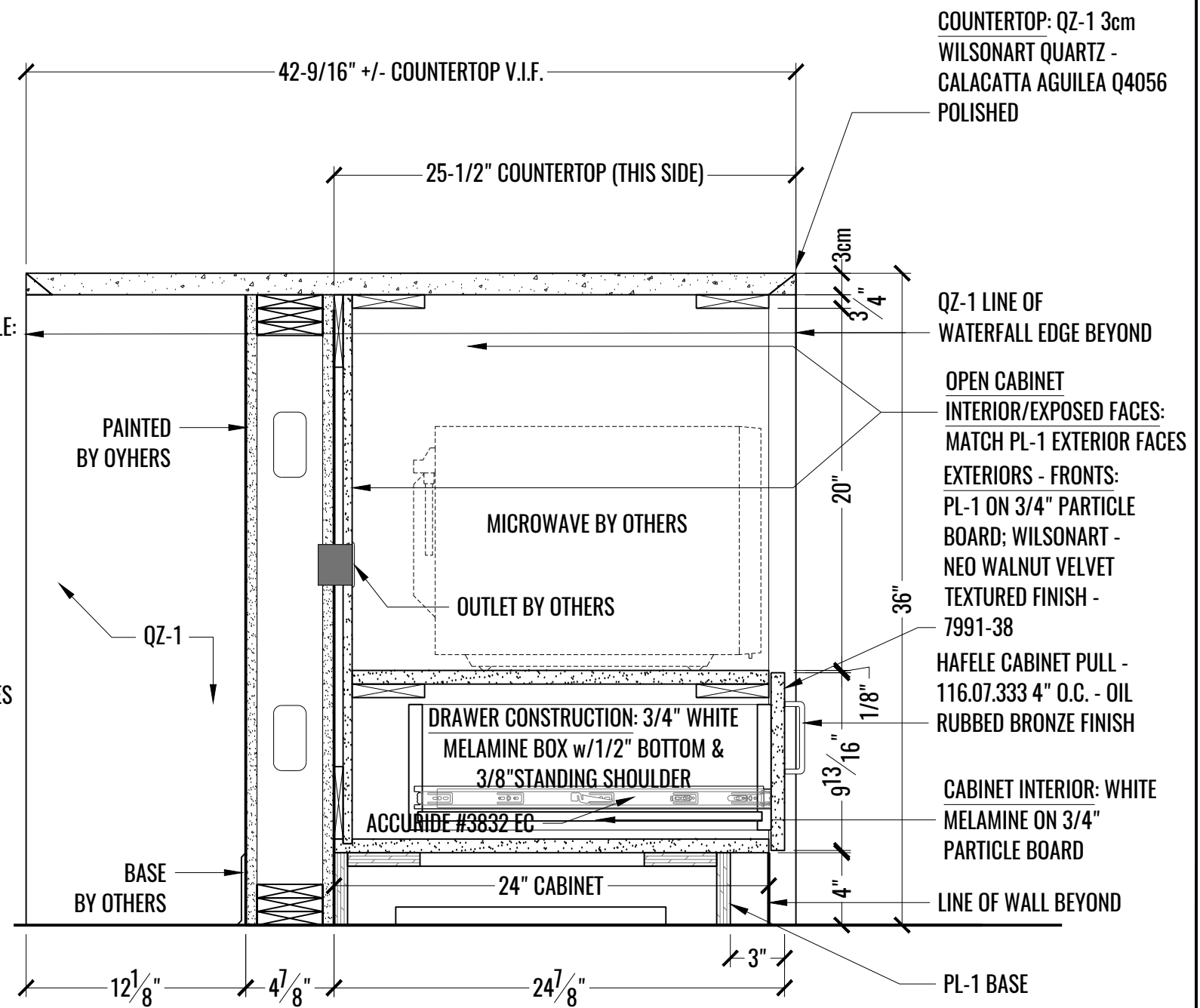
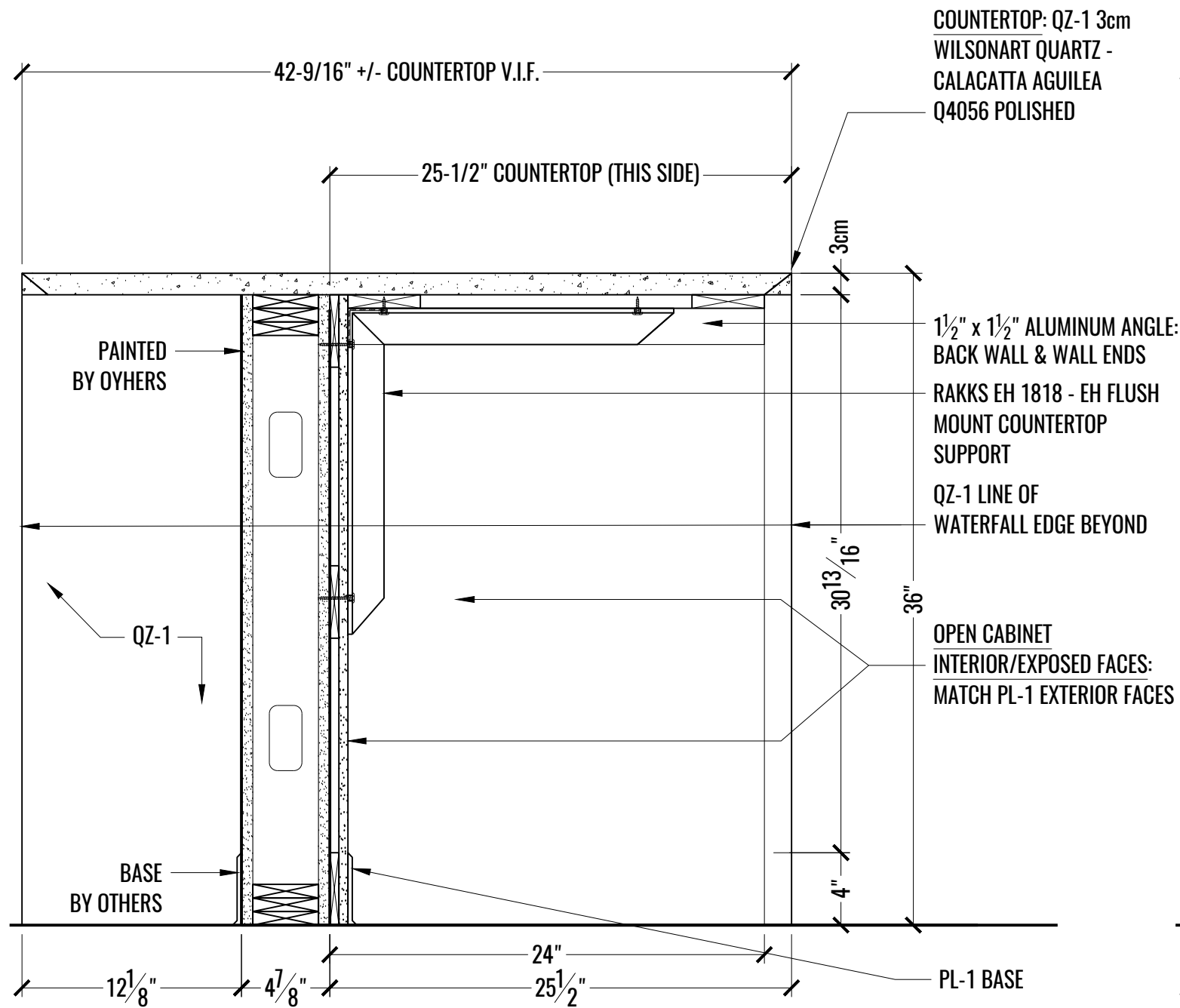
2 SECTION: BASE CABINET - SINK @ BREAK ROOM - 426  
B SCALE: 1-1/2" = 1'-0"



1 SECTION: BASE CABINET W/DRAWERS @ BREAK ROOM - 426  
C SCALE: 1-1/2" = 1'-0"

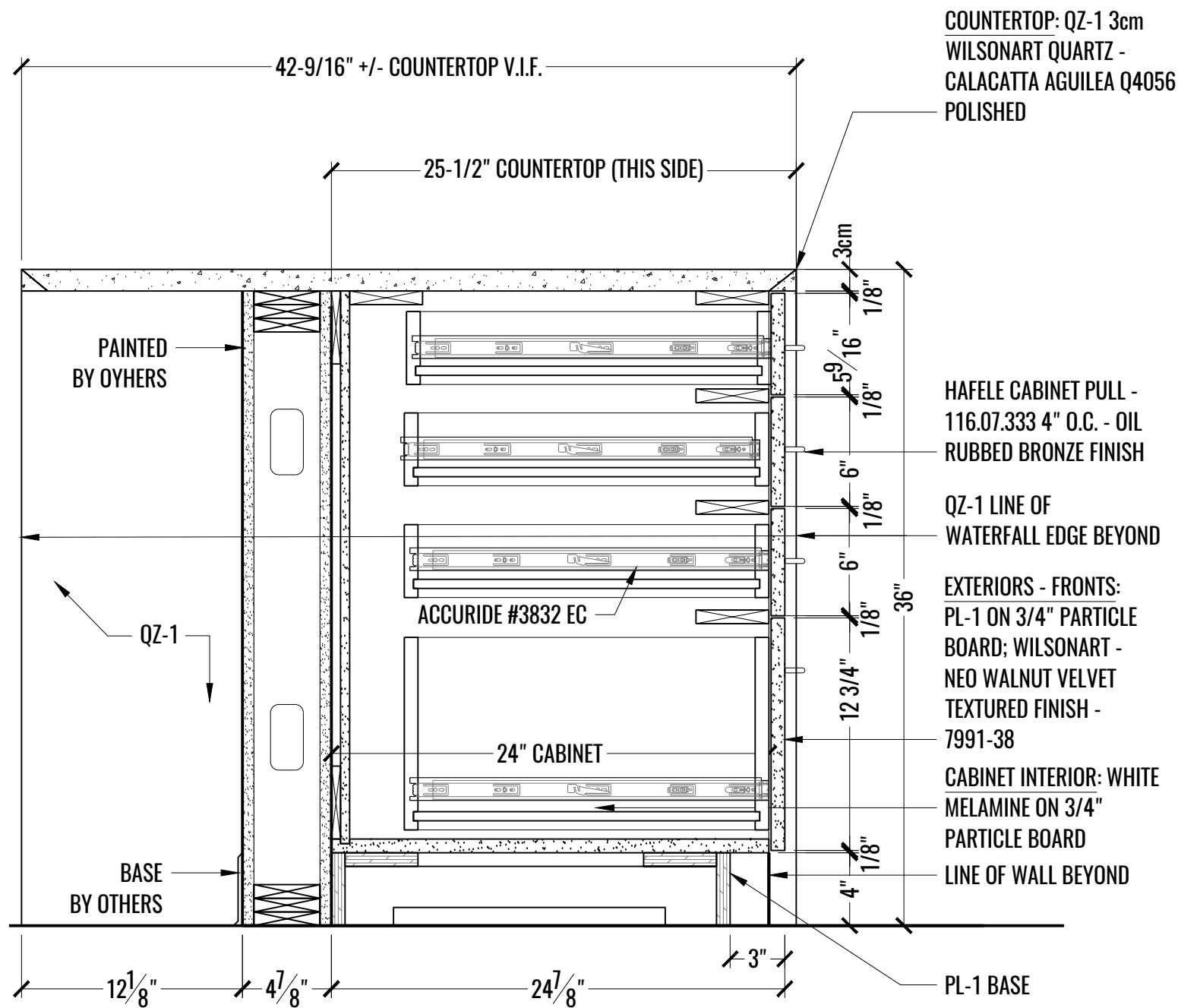


2 SECTION: UPPER CABINETS @ BREAK ROOM - 426  
C SCALE: 1-1/2" = 1'-0"

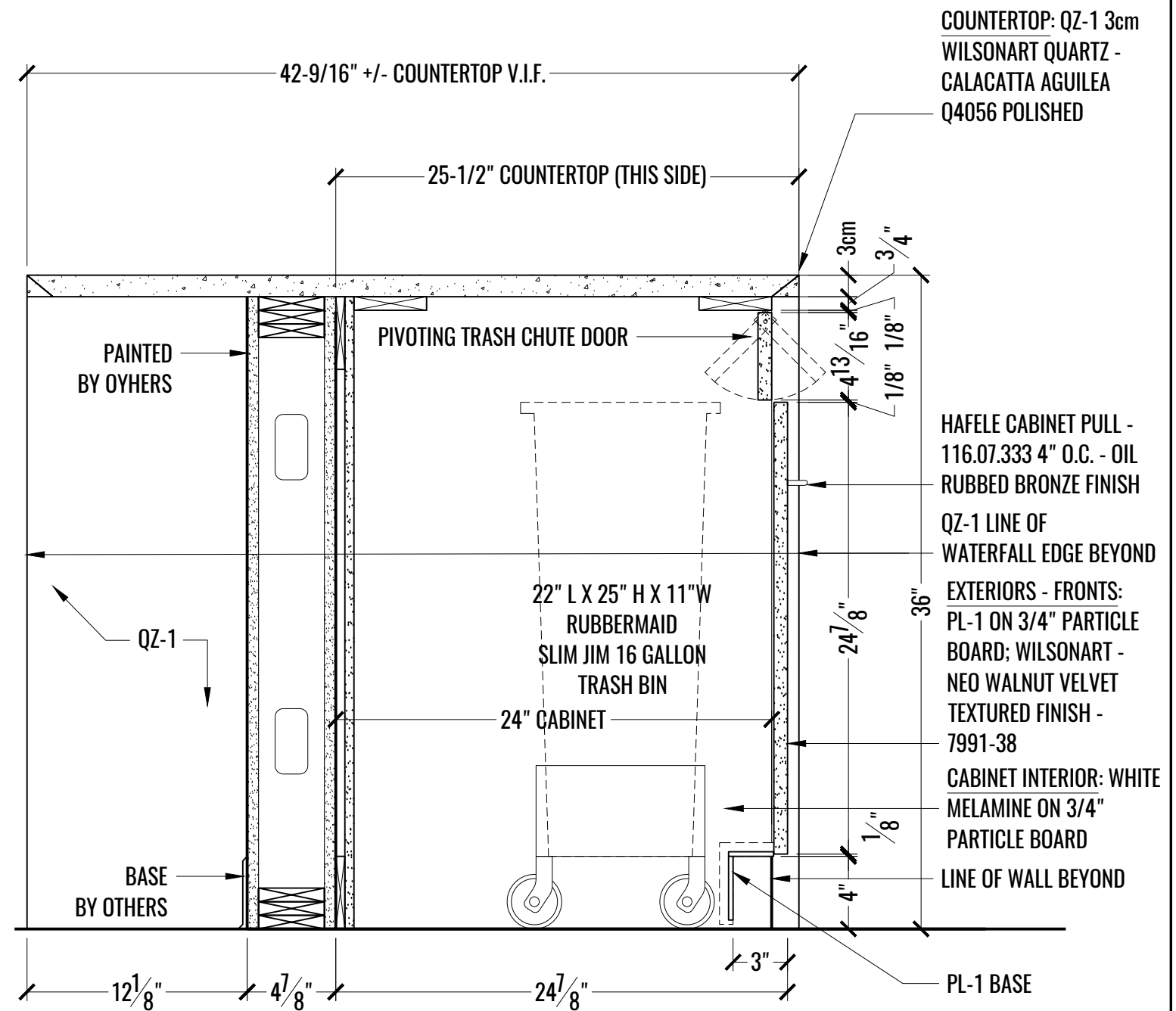


1 SECTION: OPEN SEATING AREA (BACK) @ BREAK ROOM ISLAND - 426  
D SCALE: 1-1/2" = 1'-0"

2 SECTION: BASE CABINET MICROWAVE W/DRAWER @ BREAK ROOM ISLAND - 426  
D SCALE: 1-1/2" = 1'-0"

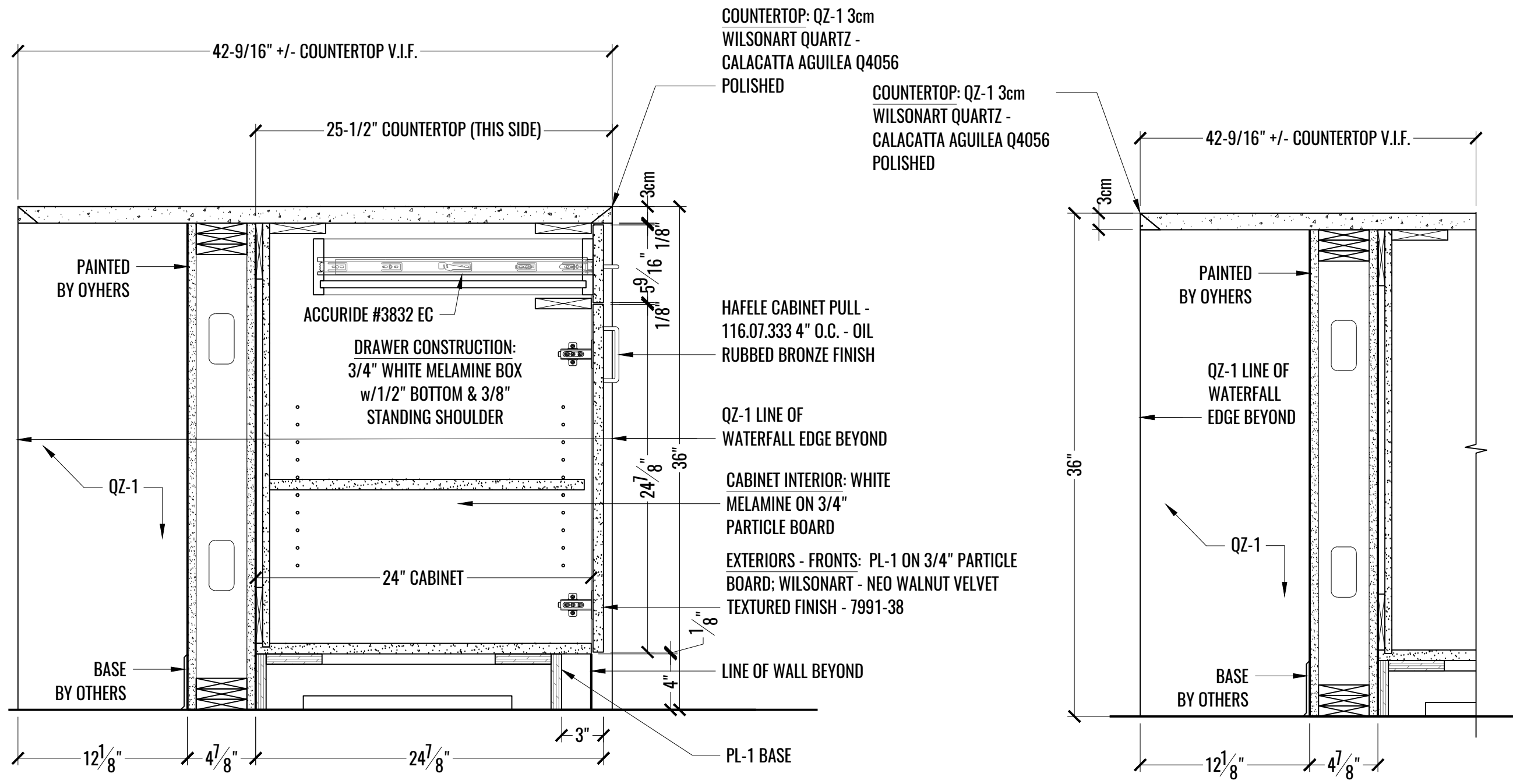


1 SECTION: BASE CABINET W/DRAWERS @ BREAK ROOM ISLAND - 426  
E SCALE: 1-1/2" = 1'-0"



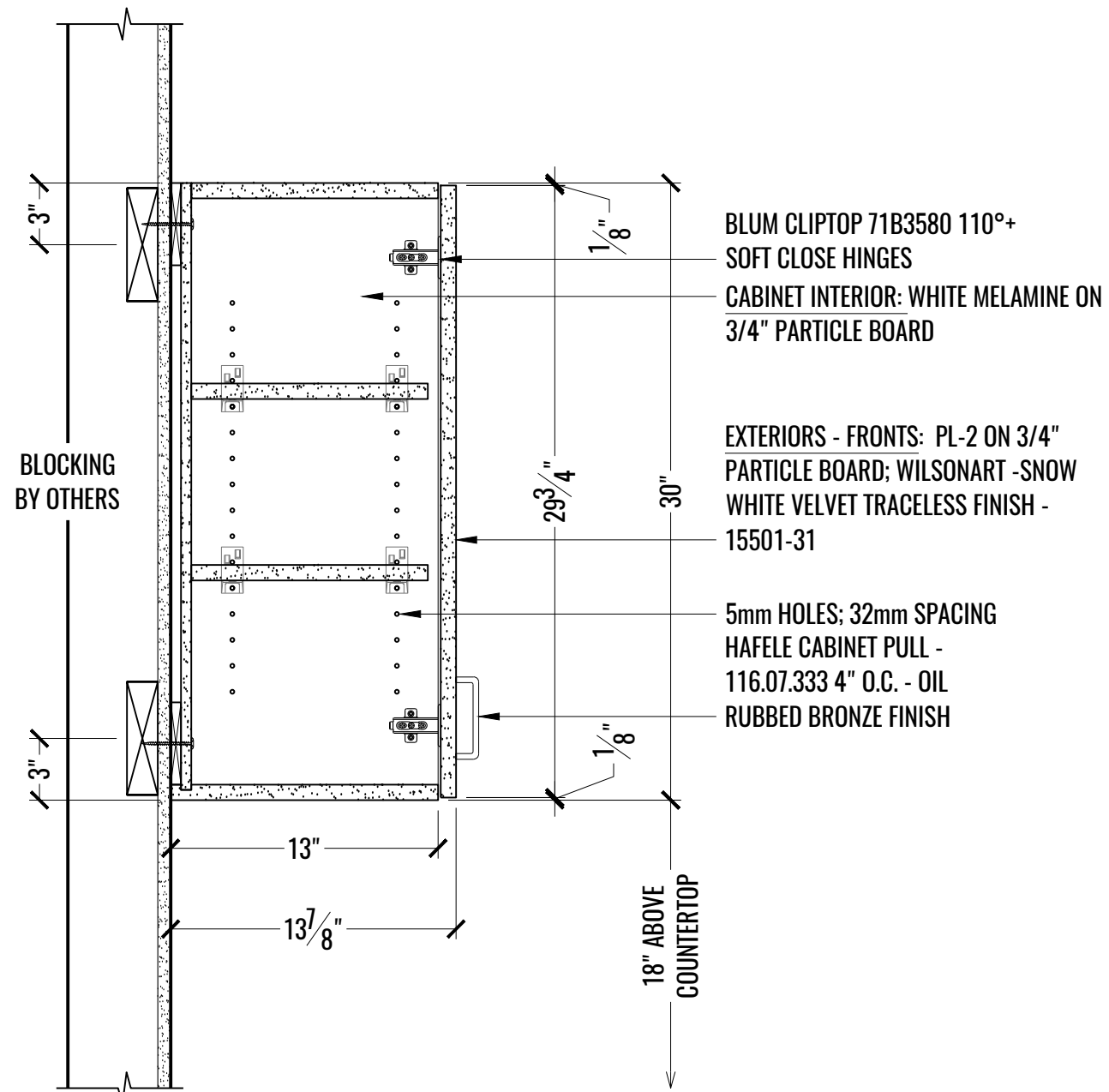
2 SECTION: BASE CABINET TRASH/RECYCLE @ BREAK ROOM ISLAND - 426  
E SCALE: 1-1/2" = 1'-0"



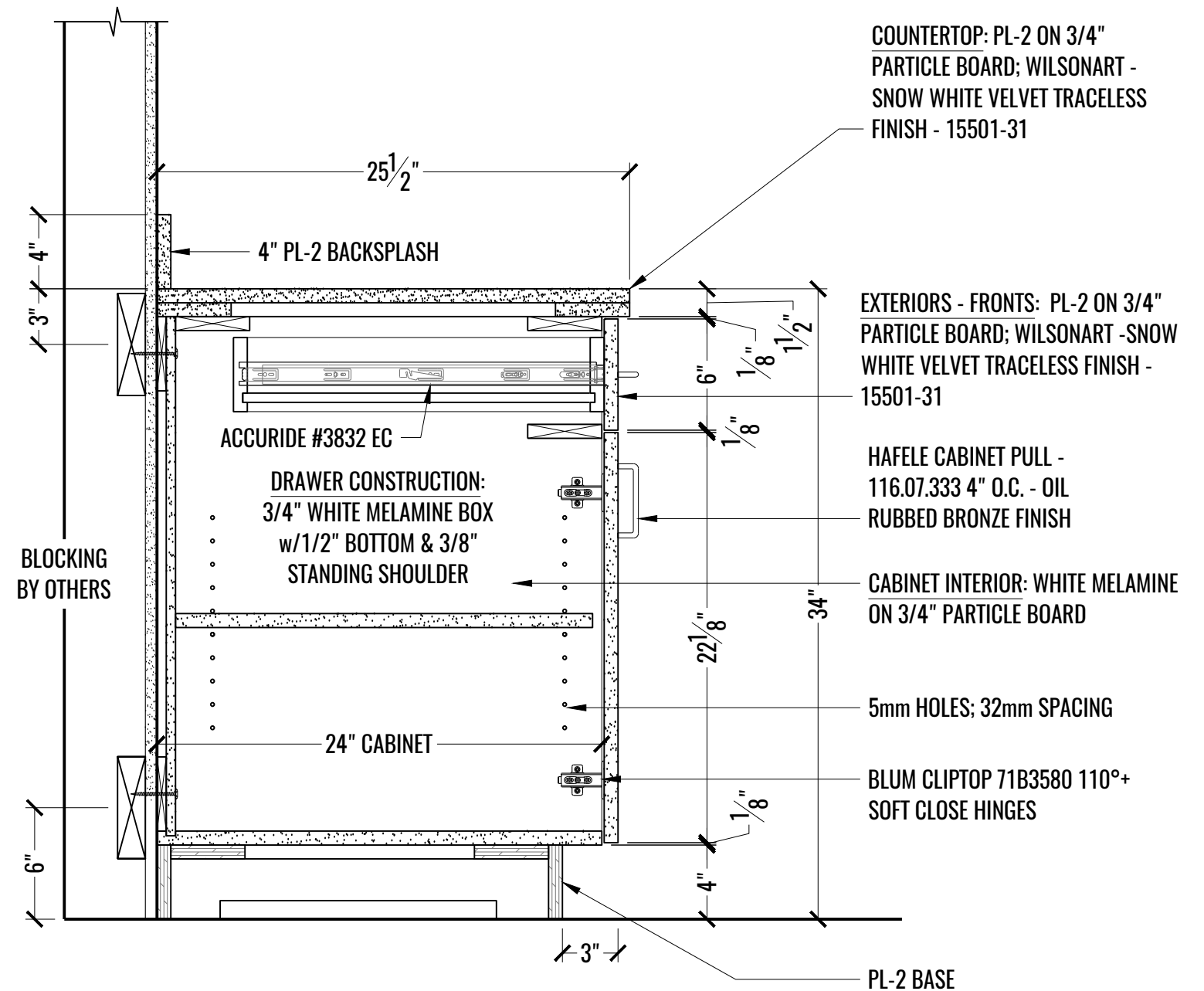


1 SECTION: BASE CABINET W/DRAWER @ BREAK ROOM ISLAND - 426  
 F SCALE: 1-1/2" = 1'-0"

2 SECTION: SEATING SIDE (FRONT) @ BREAK ROOM ISLAND - 426  
 F SCALE: 1-1/2" = 1'-0"

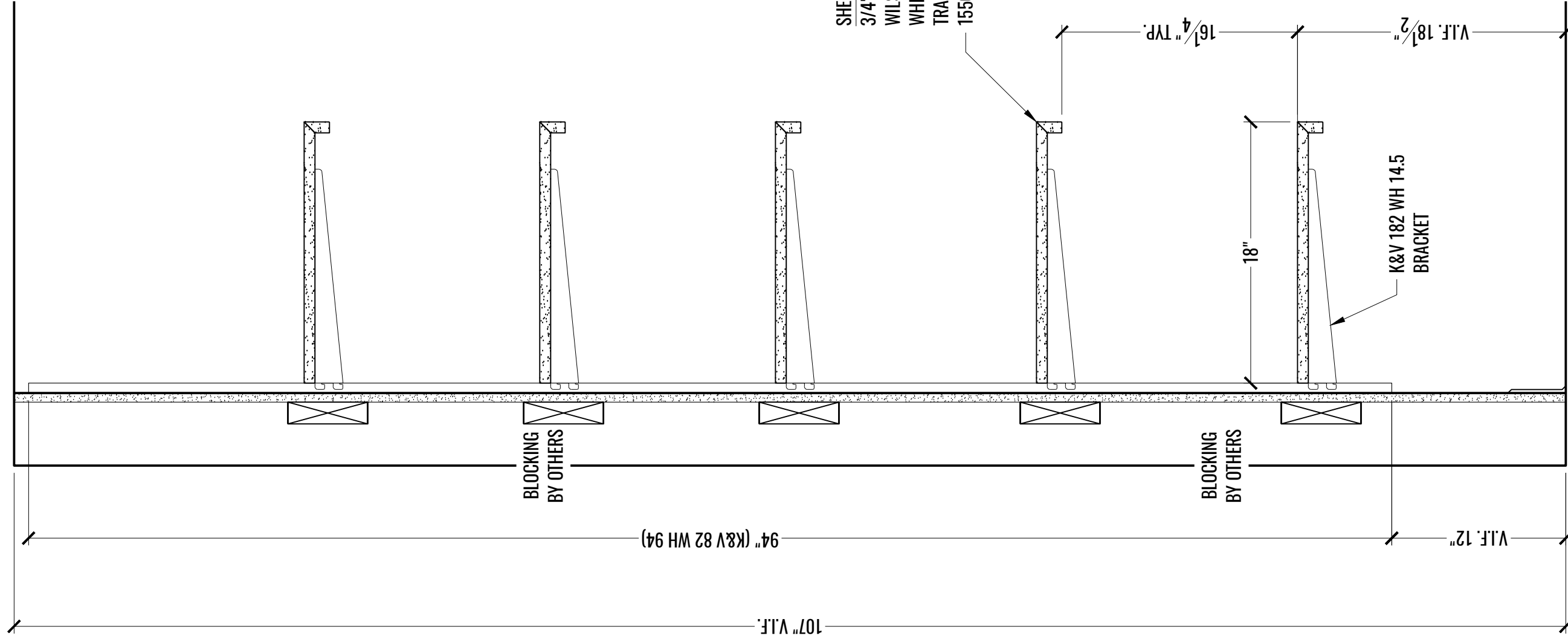


1 SECTION: UPPER CABINETS @ COPY/PRINT - 429  
G SCALE: 1-1/2" = 1'-0"

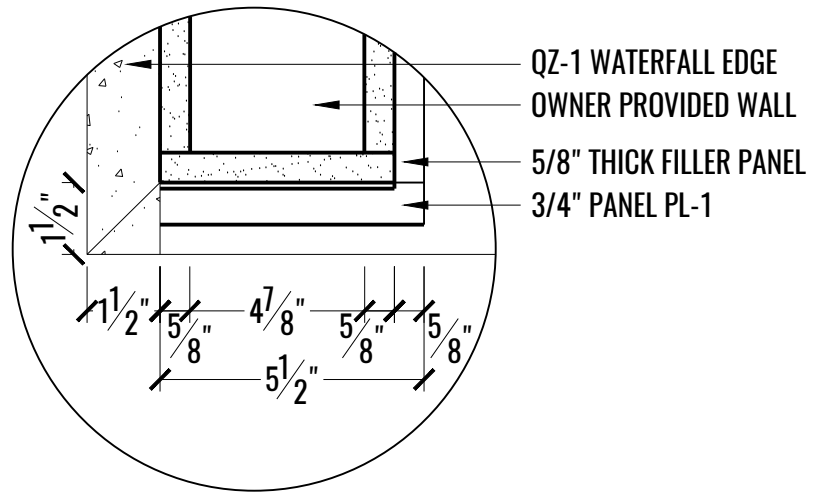


2 SECTION: BASE CABINET W/DRAWER @ COPY/PRINT - 429  
G SCALE: 1-1/2" = 1'-0"

V.I.F. 107" @ F.F.L.



1 SECTION: ADJUSTABLE SHELVES @ CLOSET - 429  
H SCALE: 1-1/2" = 1'-0"



1 SECTION: EDGE DETAIL @ BREAK ROOM ISLAND - 426  
 1 SCALE: 3" = 1'-0"