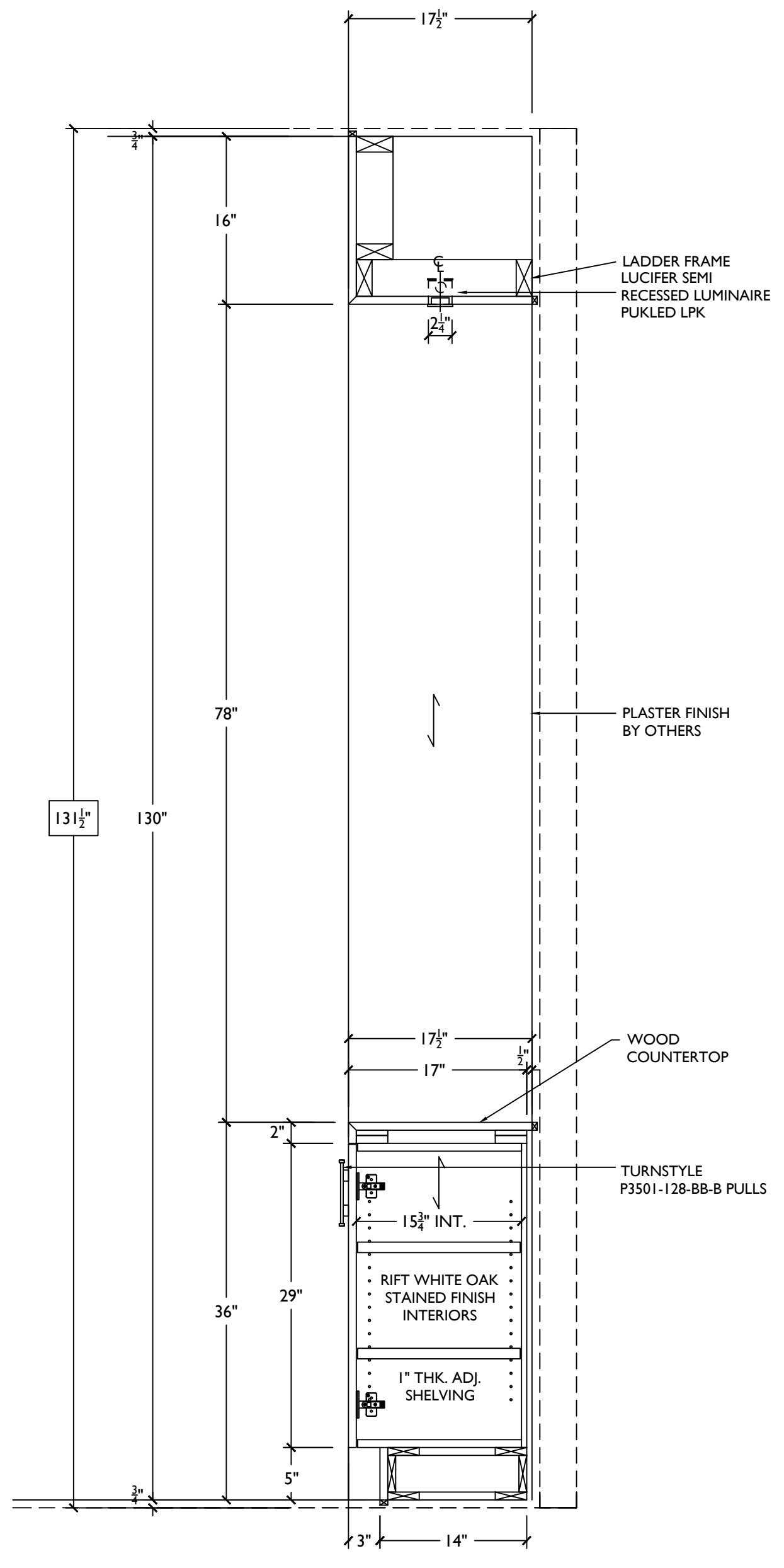
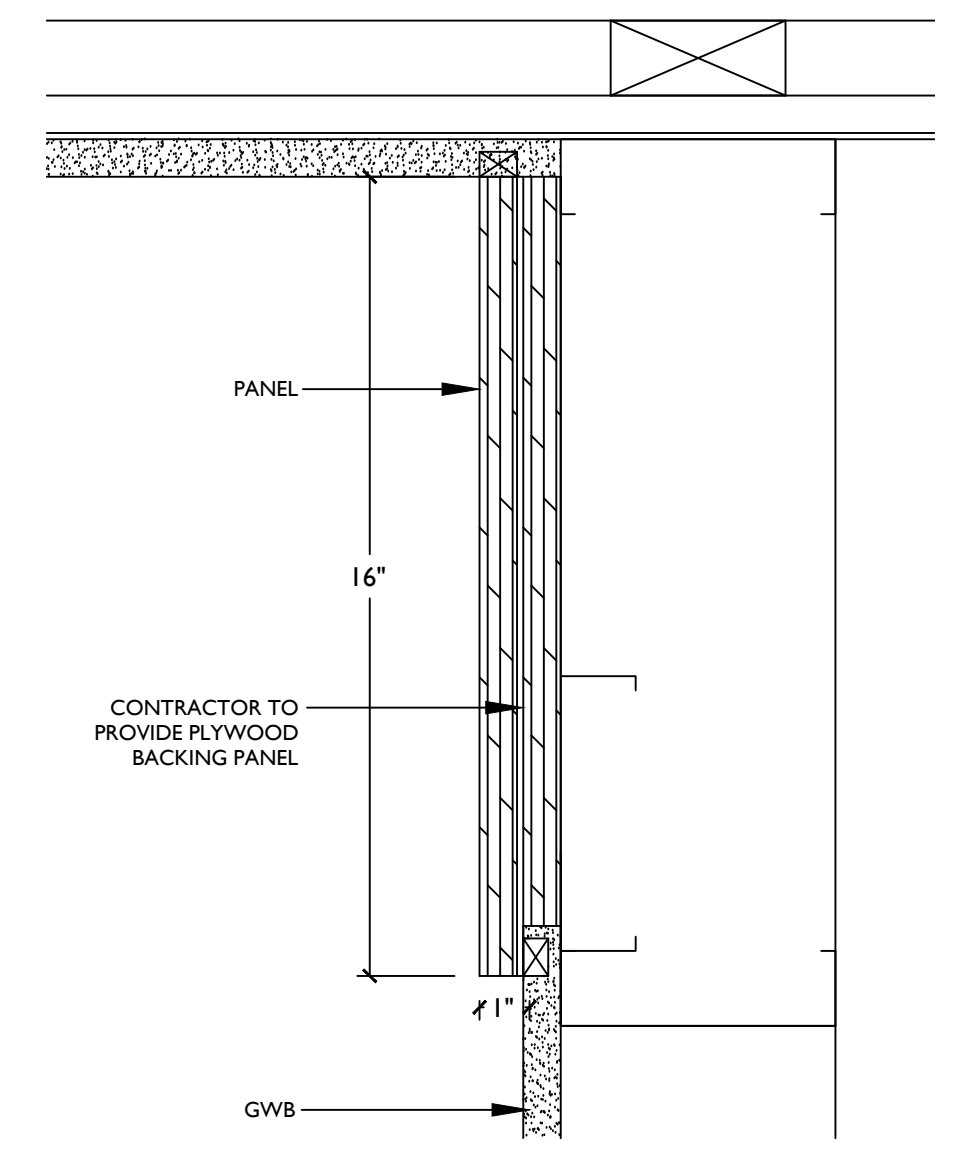


1 A ELEVATION
SCALE: 1"=1'-0" ARCH REF: 5/AS.12

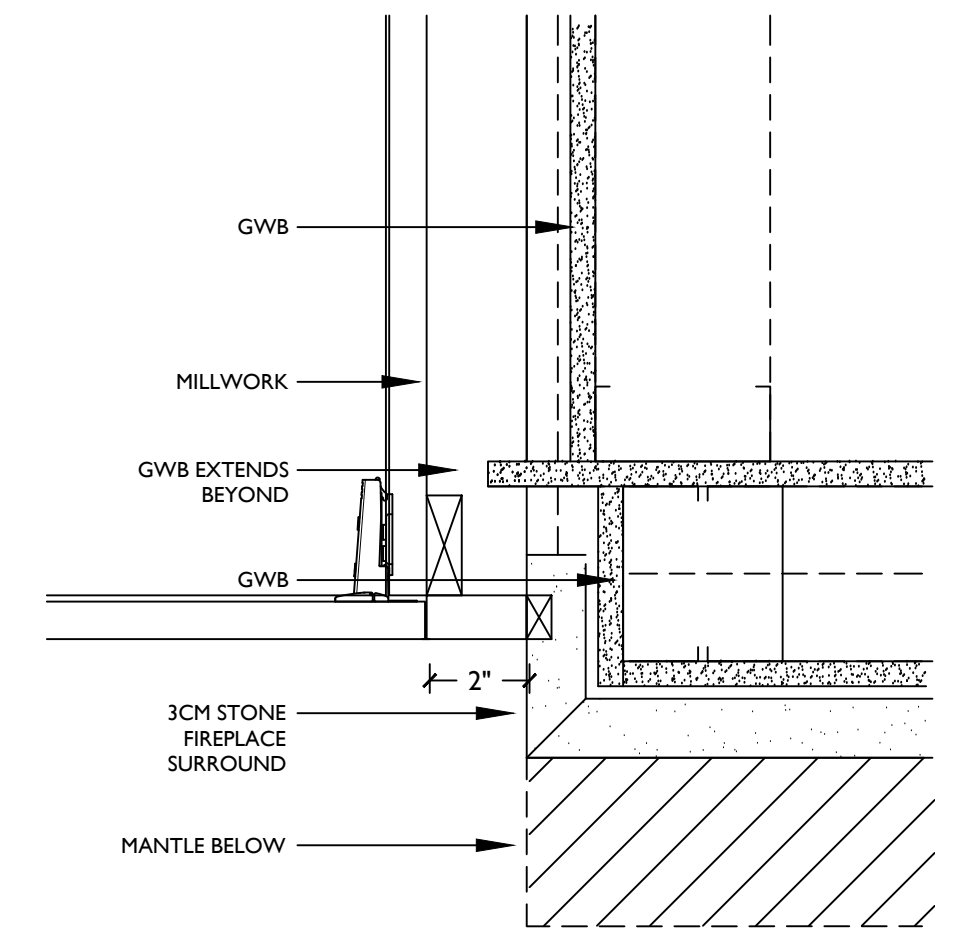
FINISHES:
EXTERIORS: STAINED RIFT OAK
INTERIORS (THROUGHOUT): STAINED RIFT OAK



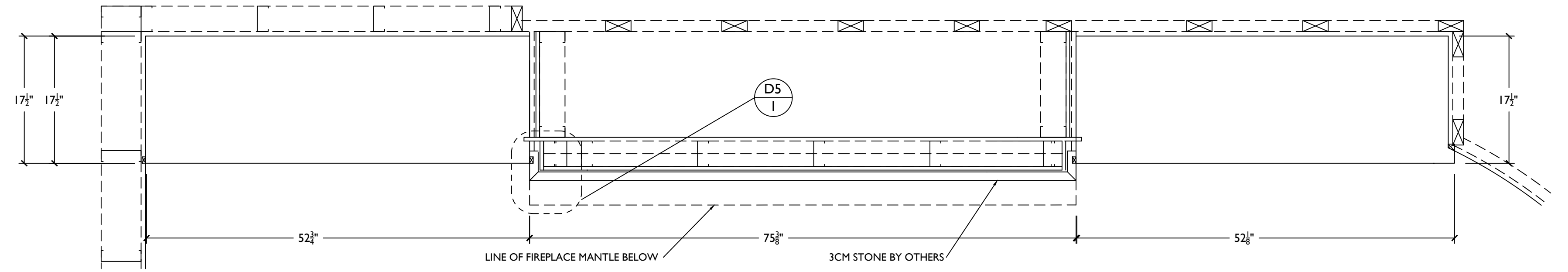
3 CABINERY SECTION
SCALE: 1"=1'-0"



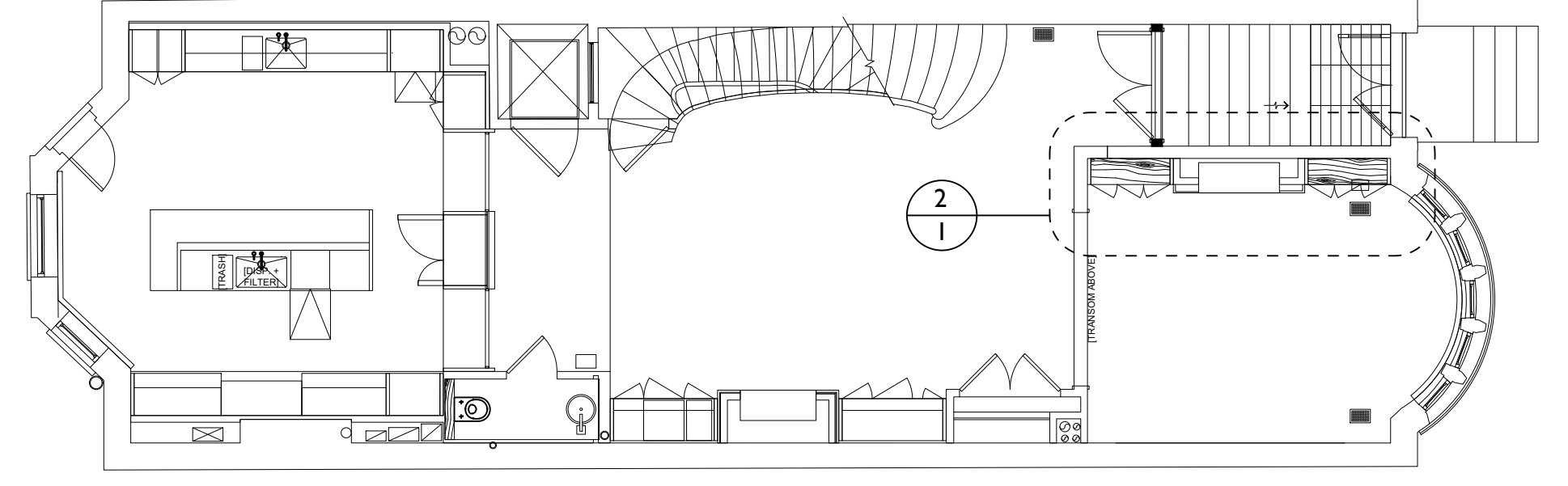
4 PANEL DETAIL
SCALE: 3"=1'-0"



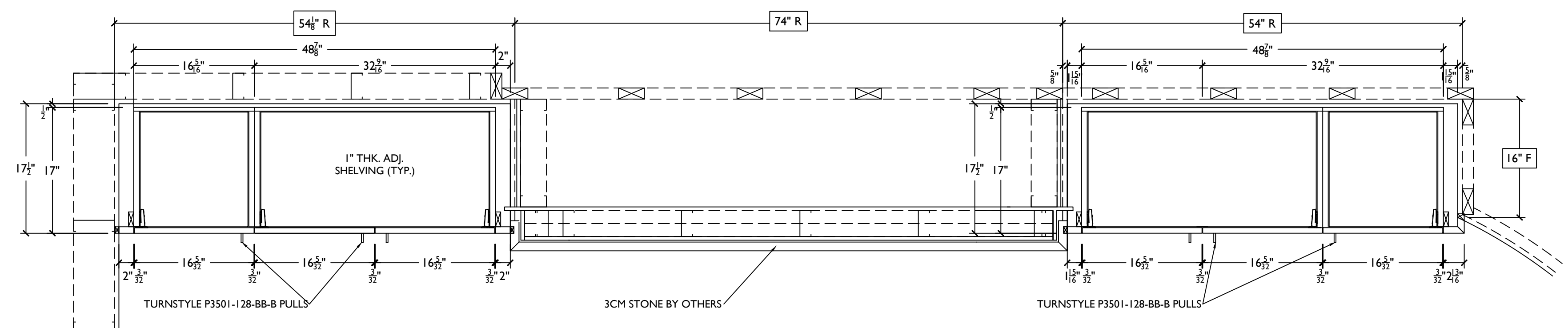
5 FIREPLACE DETAIL
SCALE: 3"=1'-0"



1 PLAN SECTION
SCALE: 1"=1'-0"



0 FIRST FLOOR KEY PLAN
SCALE: 1/8"=1'-0"



2 PLAN SECTION
SCALE: 1"=1'-0"