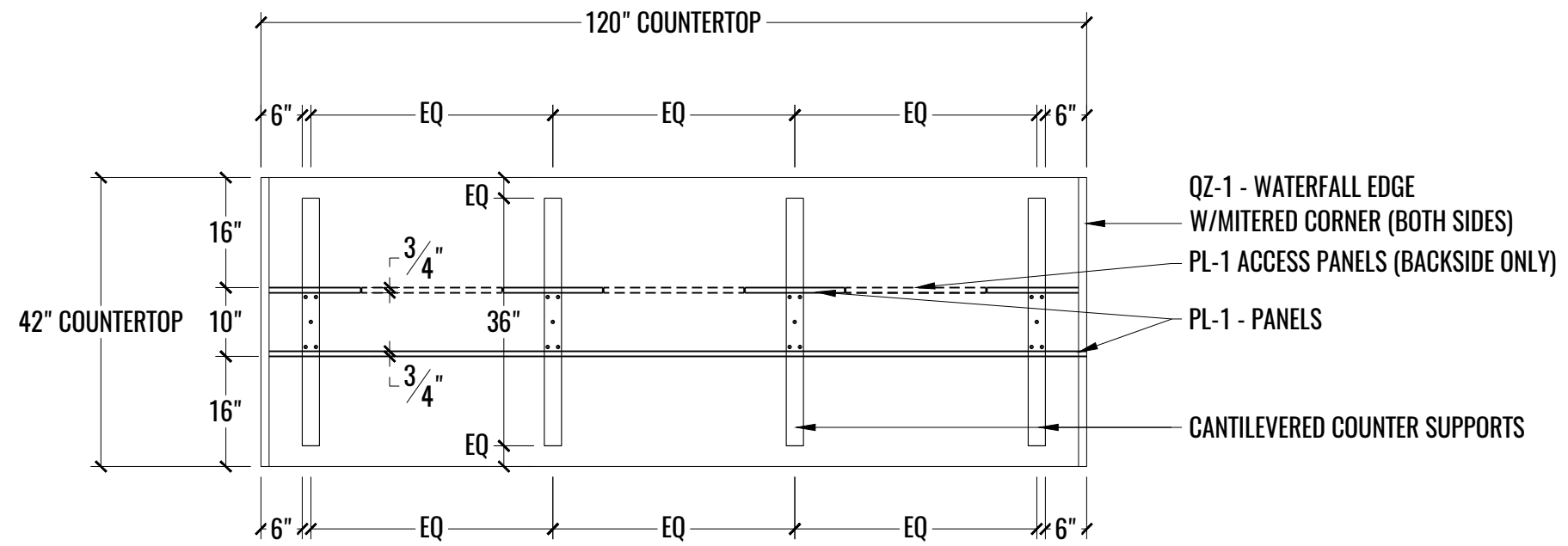


1 PLAN: PROJECT SCOPE
 1 SCALE: NOT TO SCALE

ISLAND (BACK)

BREAK ROOM
201



QZ-1 - WATERFALL EDGE
W/MITERED CORNER (BOTH SIDES)
PL-1 ACCESS PANELS (BACKSIDE ONLY)
PL-1 - PANELS
CANTILEVERED COUNTER SUPPORTS



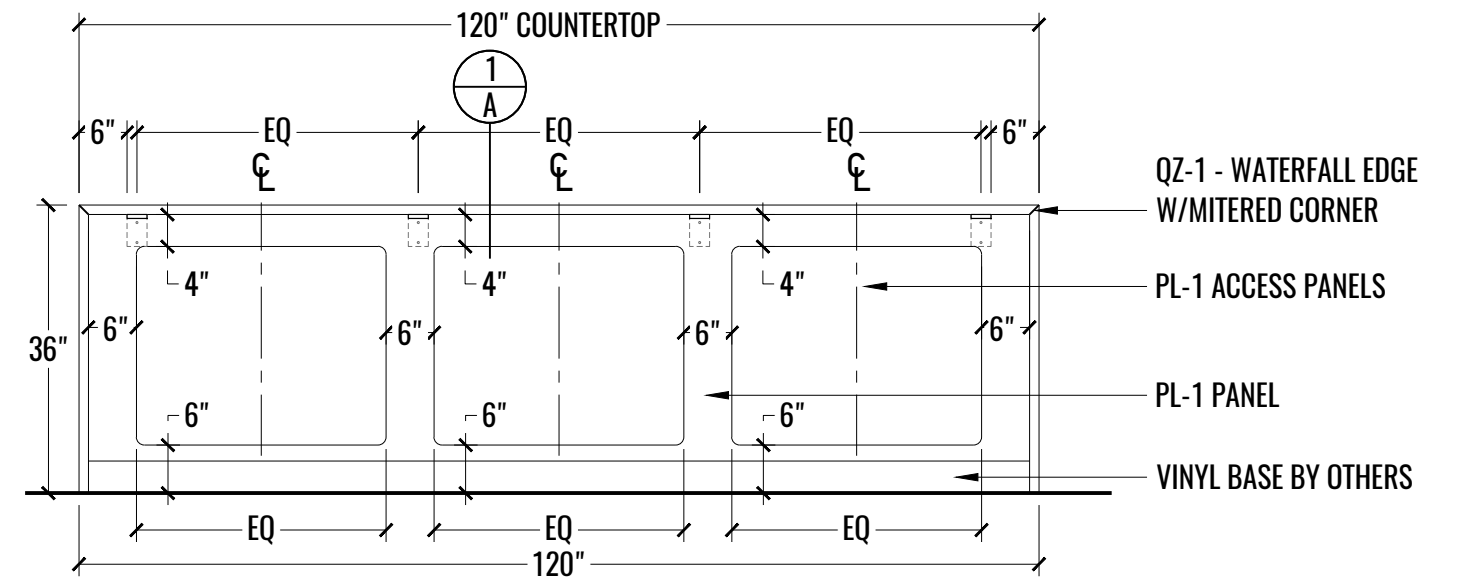
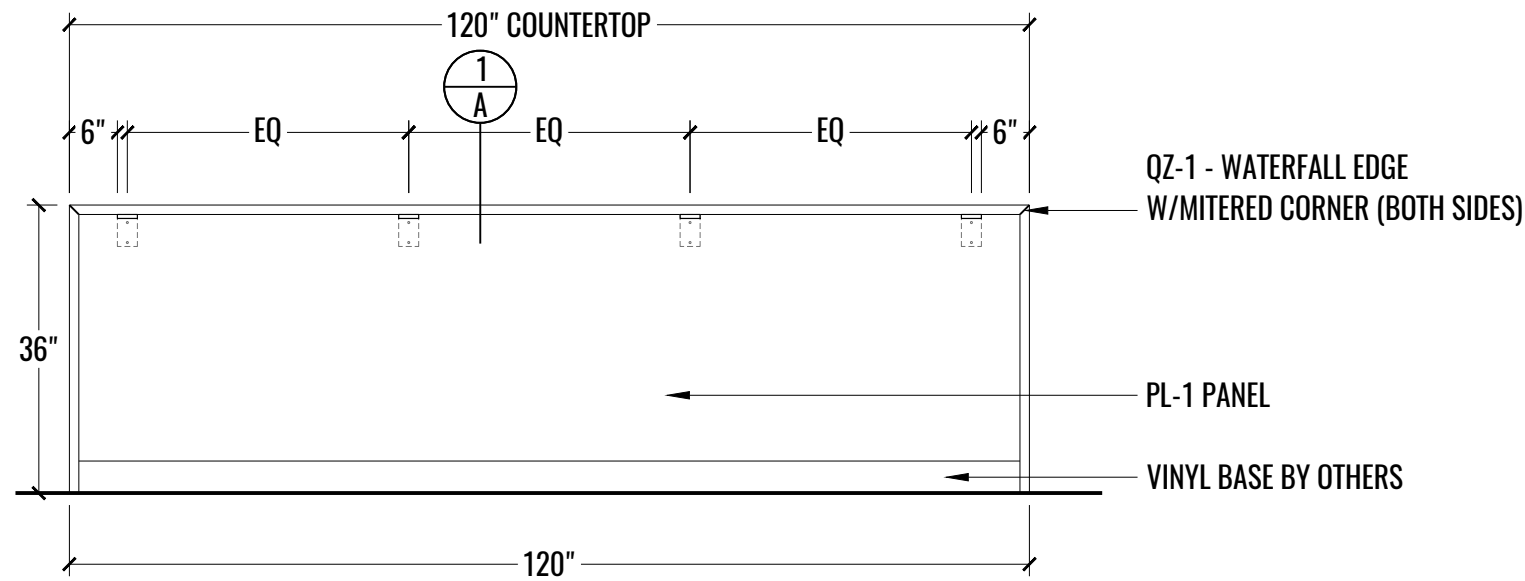
BREAK ROOM
201

ISLAND (FRONT)

1 PLAN: ISLAND @ BREAK ROOM - 201
2 SCALE: 1/2" = 1'-0"

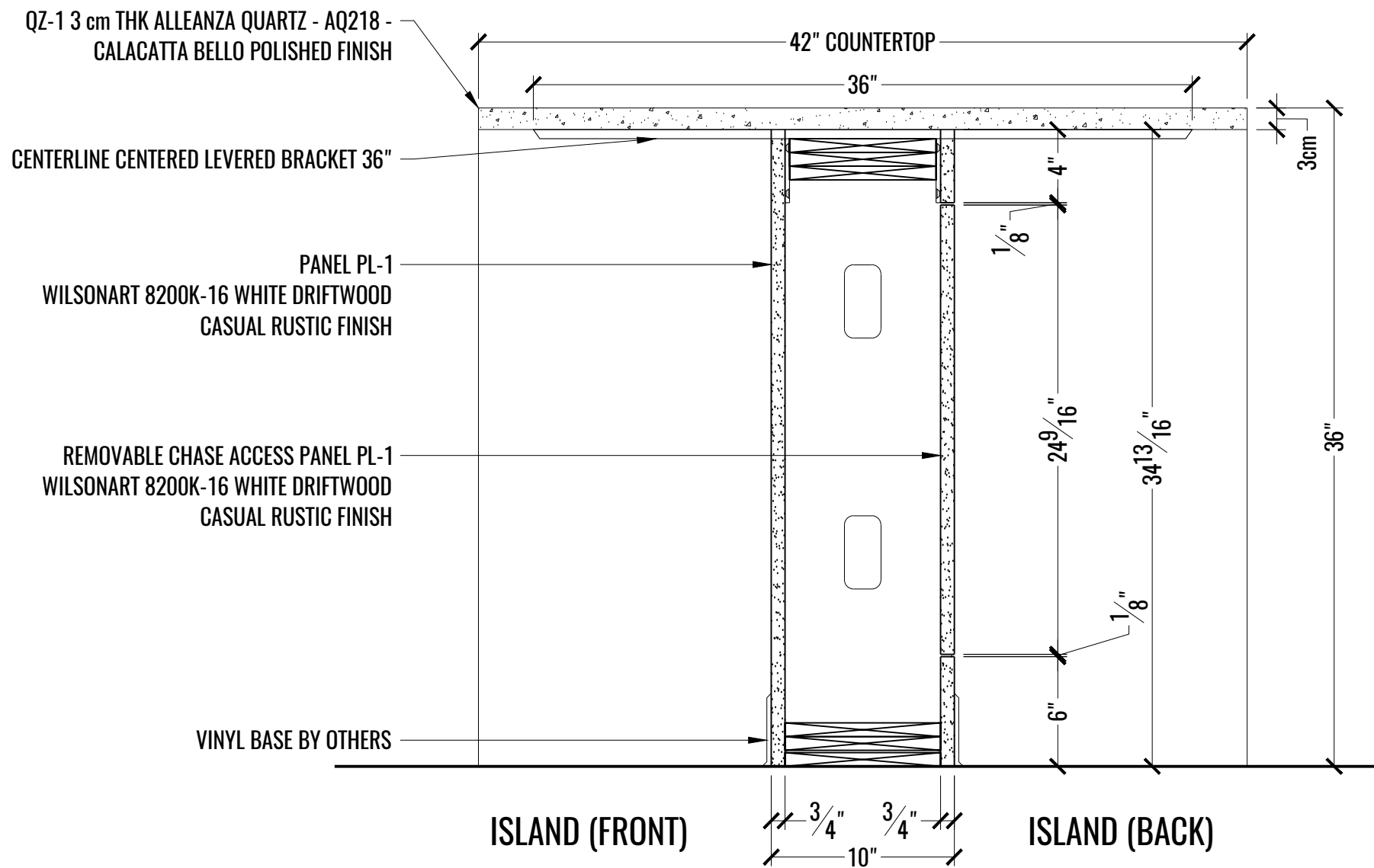
DRAWING NUMBER

MW2



1 ELEVATION: ISLAND (FRONT) @ BREAK ROOM - 201
3 SCALE: 1/2" = 1'-0"

2 ELEVATION: ISLAND (BACK) @ BREAK ROOM - 201
3 SCALE: 1/2" = 1'-0"



1 SECTION: ISLAND @ BREAK ROOM - 201
 A SCALE: 1-1/2" = 1'-0"