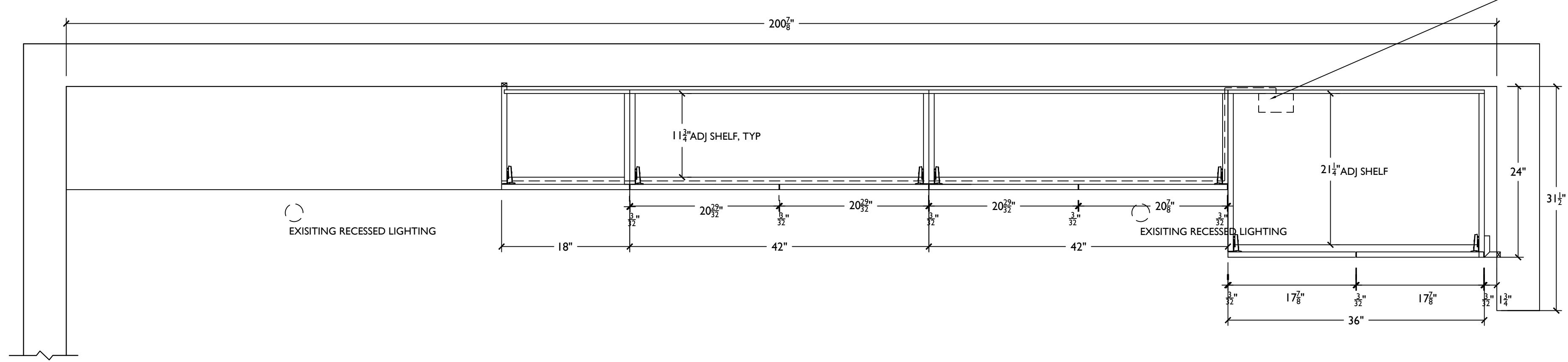


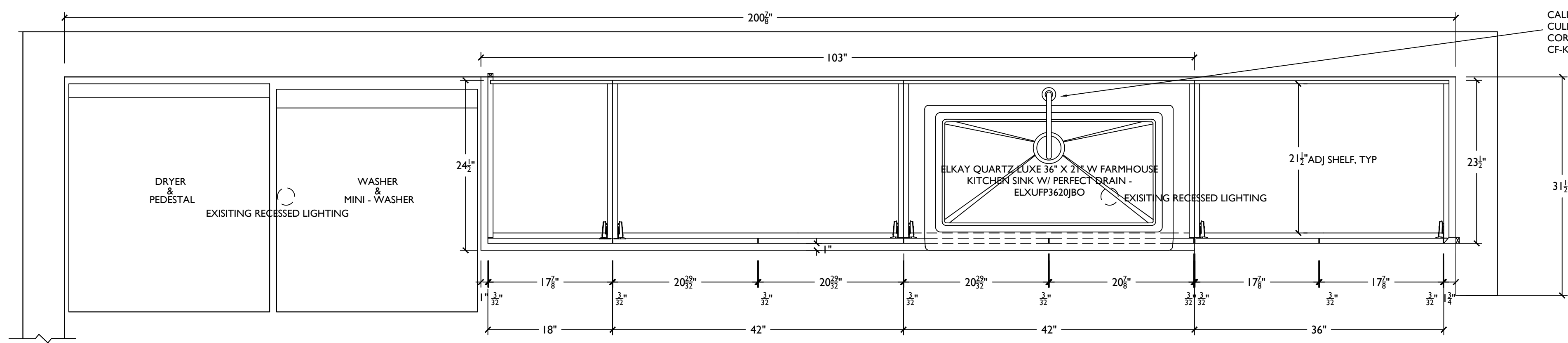
**1**  
**2**  
**ELEVATION - LAUNDRY ROOM**  
SCALE: 1"=1'-0"

**4**  
**2**  
**SECTION - LAUNDRY ROOM**  
SCALE: 1"=1'-0"

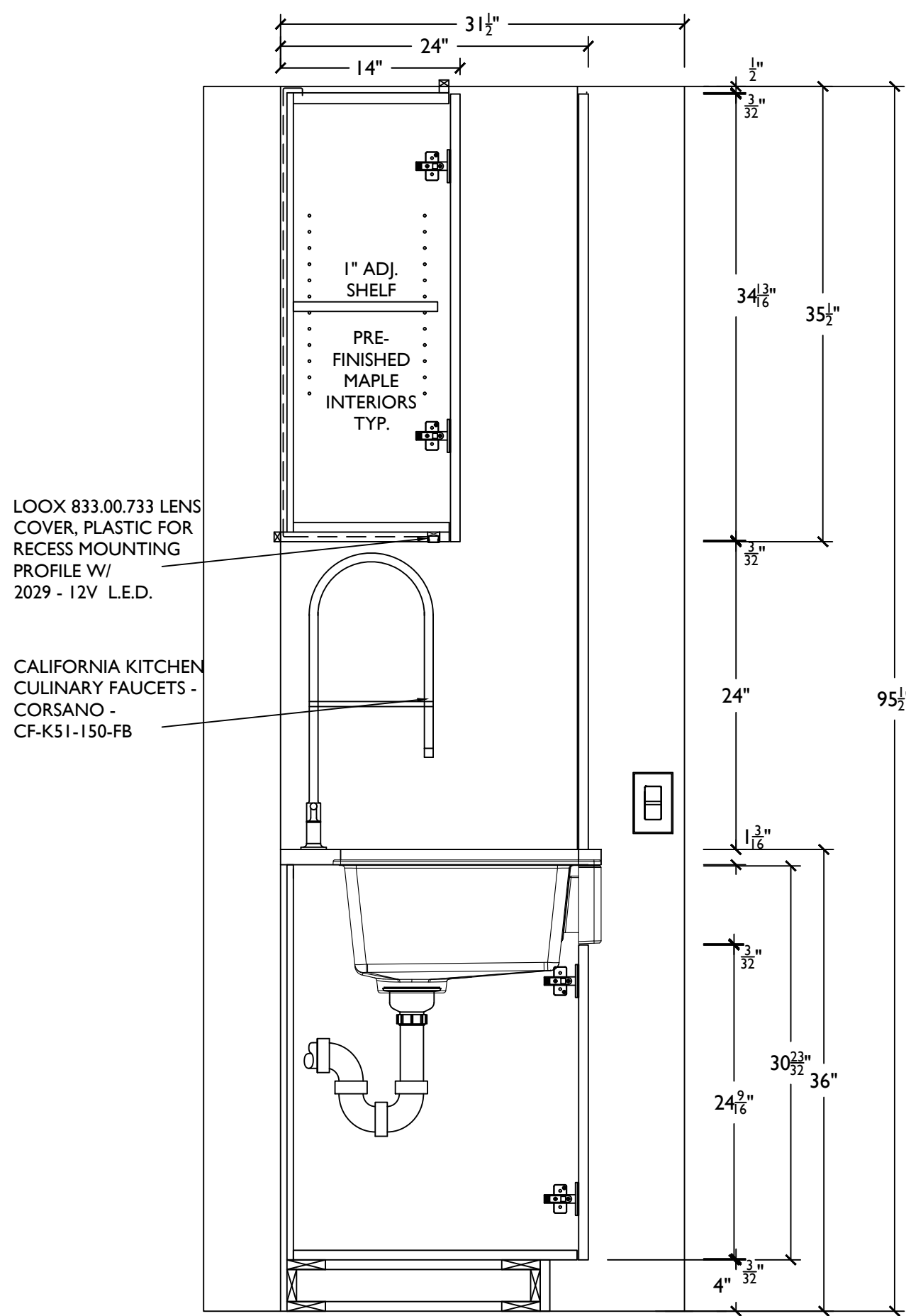


FINISHES:  
EXTERIOR: PAINTED FINISH TBD - INTERIOR: NATURAL MAPLE - CLEAR FINISH.

**2**  
**2**  
**SECTION - LAUNDRY ROOM**  
SCALE: 1"=1'-0"

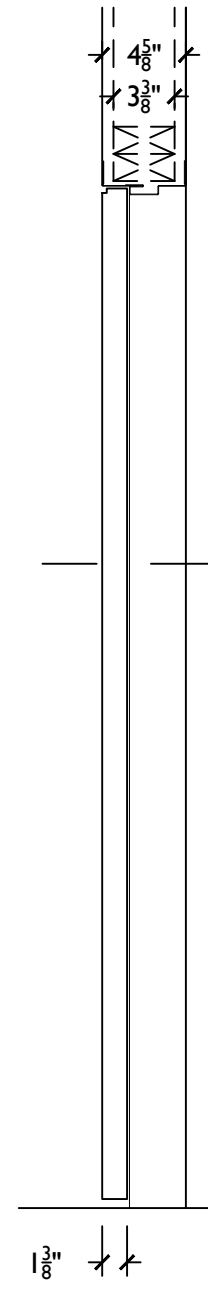
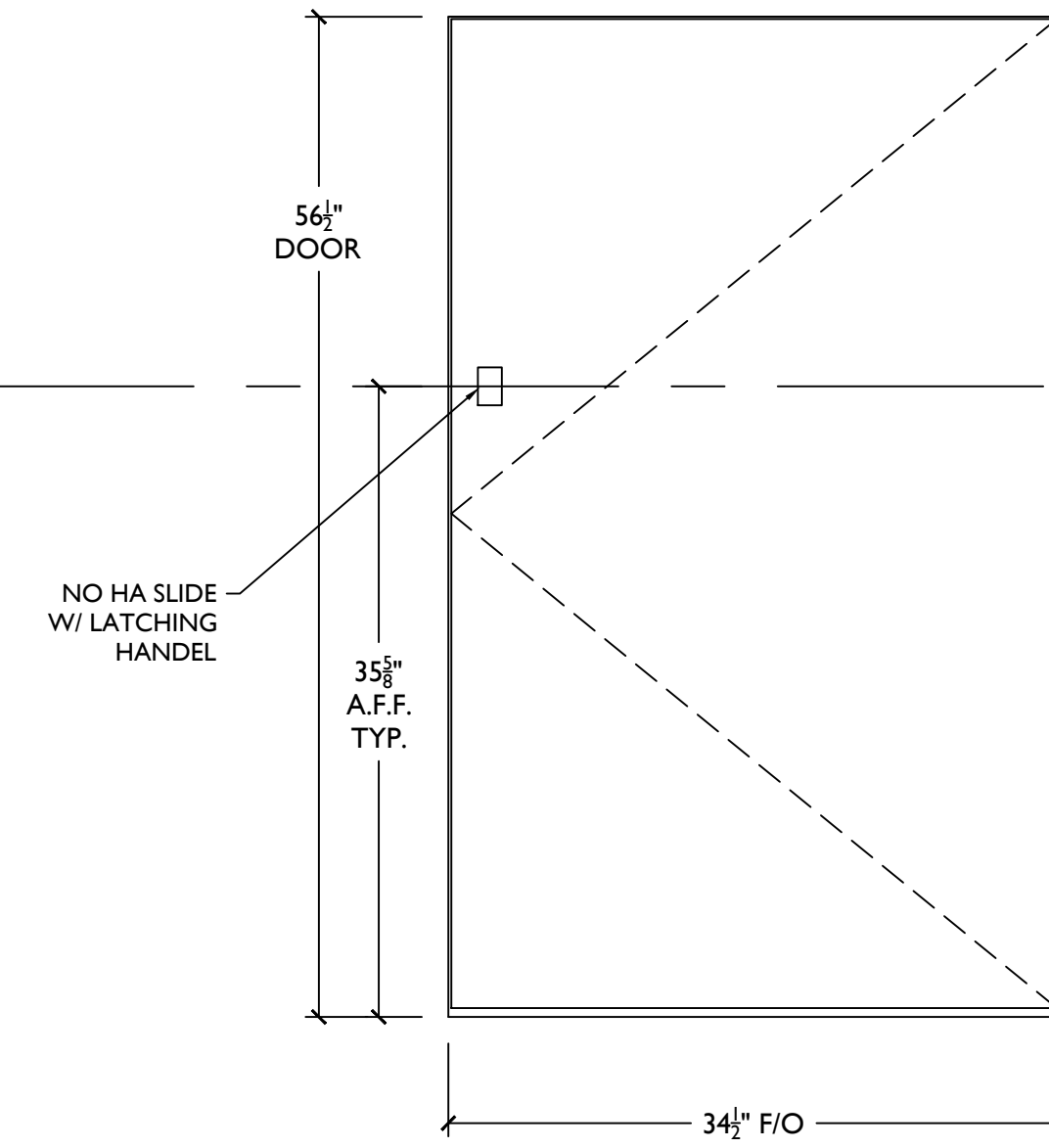
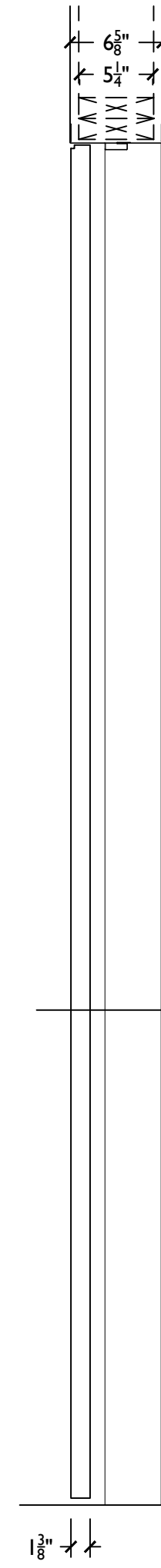
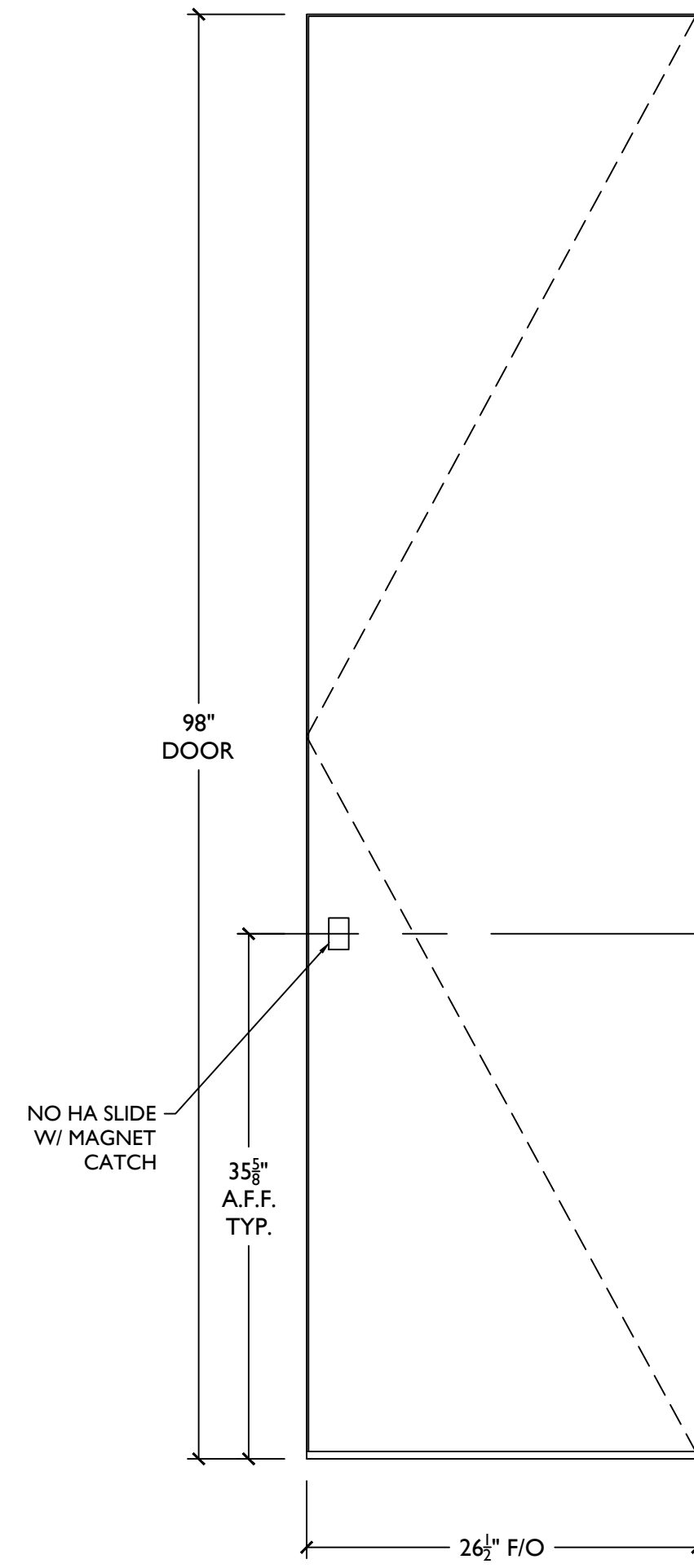
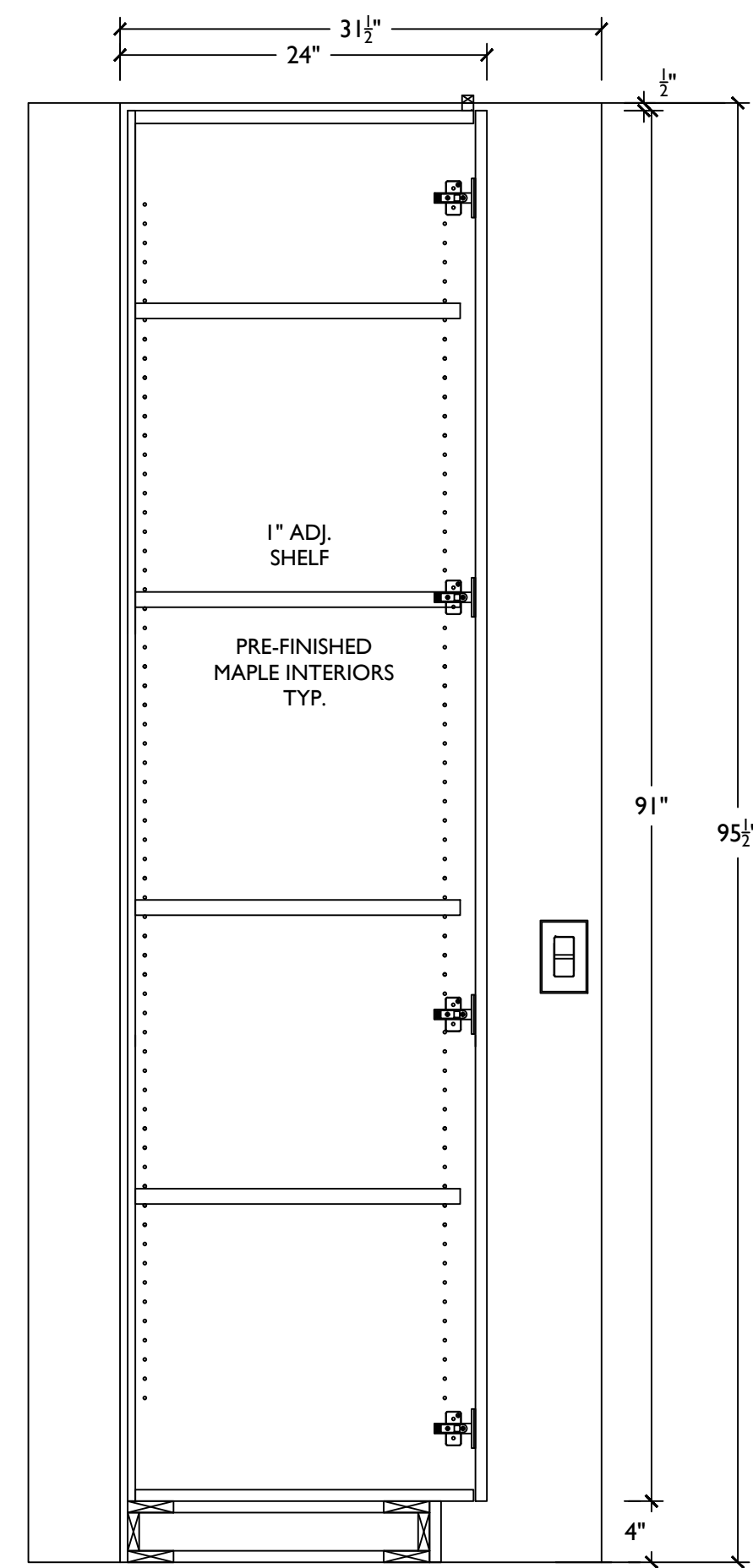


**3**  
**2**  
**SECTION - LAUNDRY ROOM**  
SCALE: 1"=1'-0"



LOOK 833.00.733 LENS COVER, PLASTIC FOR RECESS MOUNTING PROFILE W/ 2029 - 12V L.E.D.

CALIFORNIA KITCHEN CULINARY FAUCETS - CORSANO - CF-K51-150-FB



**1 SECTION - LAUNDRY ROOM**  
SCALE: 1"=1'-0"

**2 SECTION - LAUNDRY ROOM**  
SCALE: 1"=1'-0"

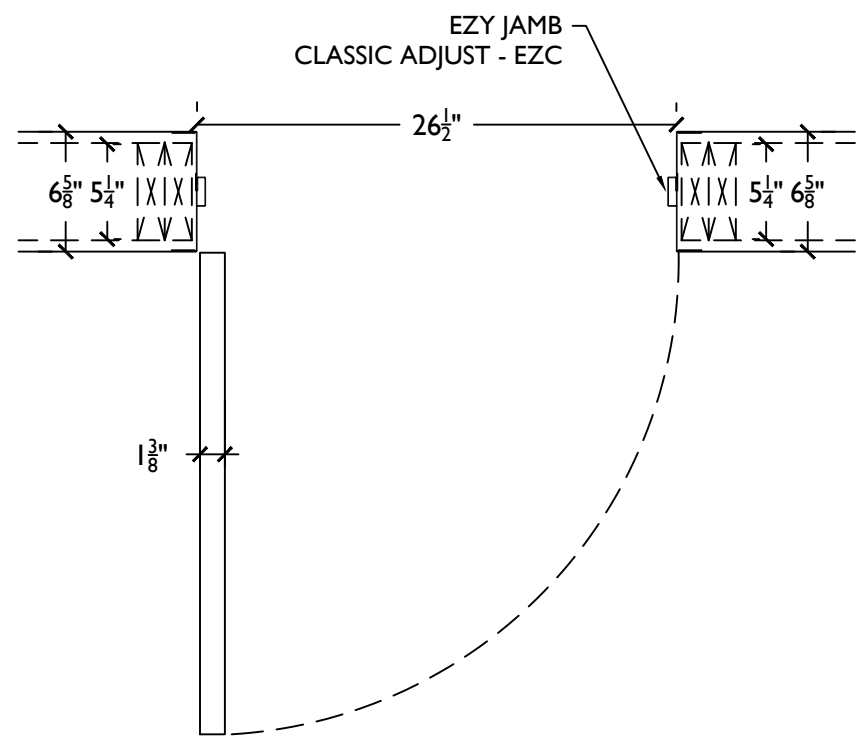
**4 ELEV - CLOSET DOOR**  
SCALE: 1"=1'-0"

**5 SECTION - CLOSET DOOR**  
SCALE: 1"=1'-0"

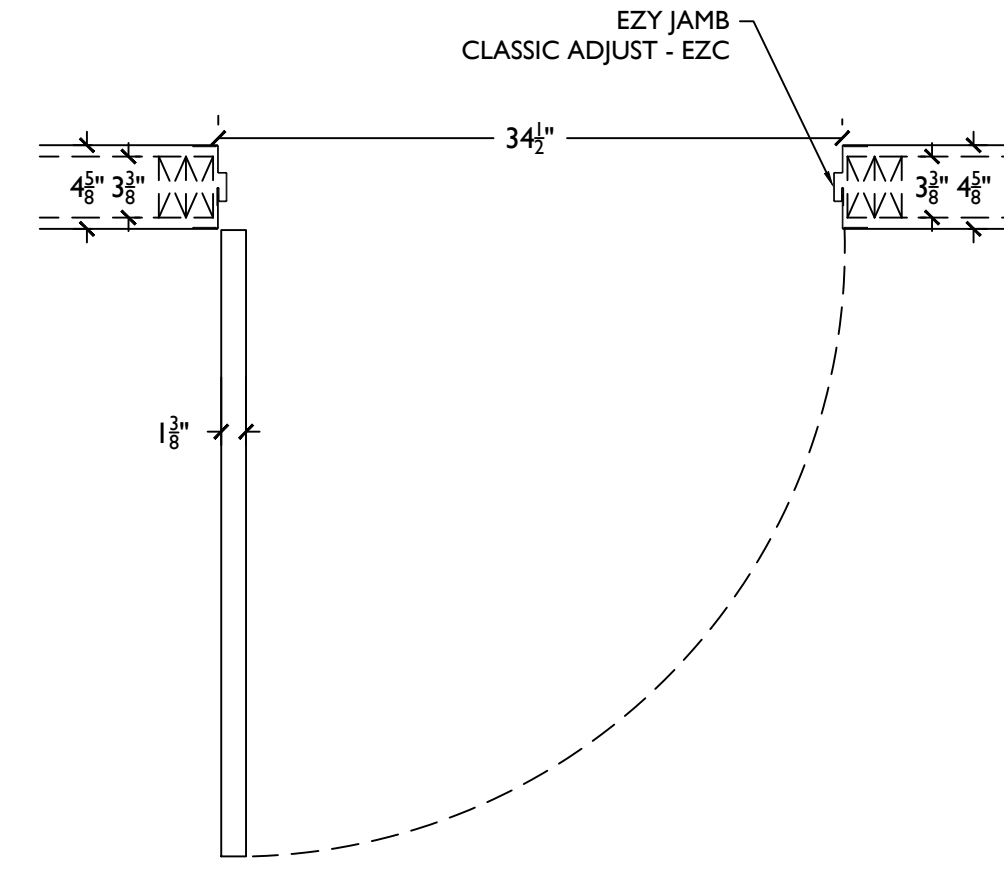
**7 ELEV - STAIR DOOR**  
SCALE: 1"=1'-0"

**8 SECTION - STAIR DOOR**  
SCALE: 1"=1'-0"

FINISHES:  
EXTERIOR : PAINTED FINISH TBD - INTERIOR : NATURAL MAPLE - CLEAR FINISH .



**3 PLAN - CLOSET DOOR**  
SCALE: 1"=1'-0"



**6 PLAN - STAIR DOOR**  
SCALE: 1"=1'-0"