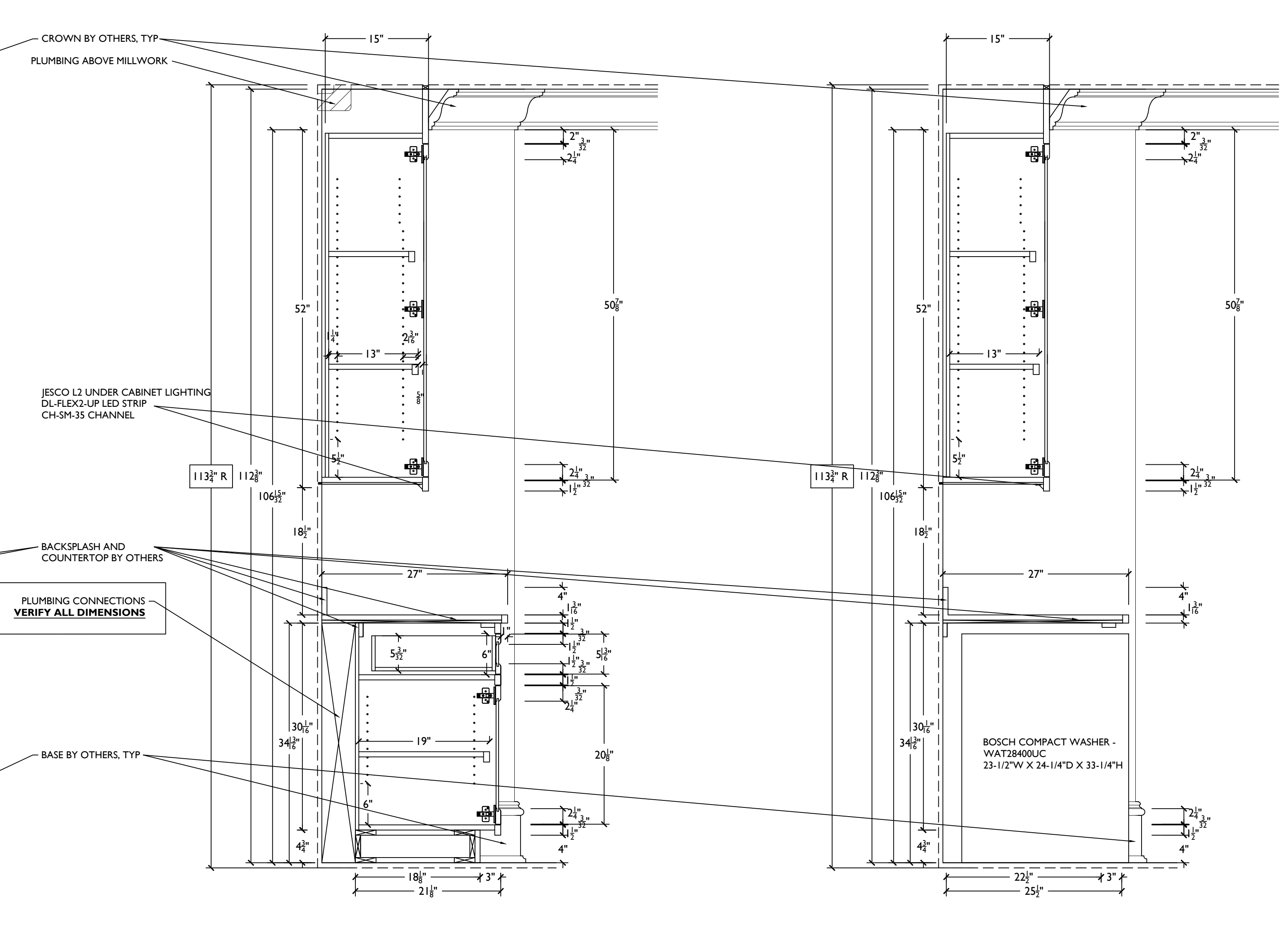
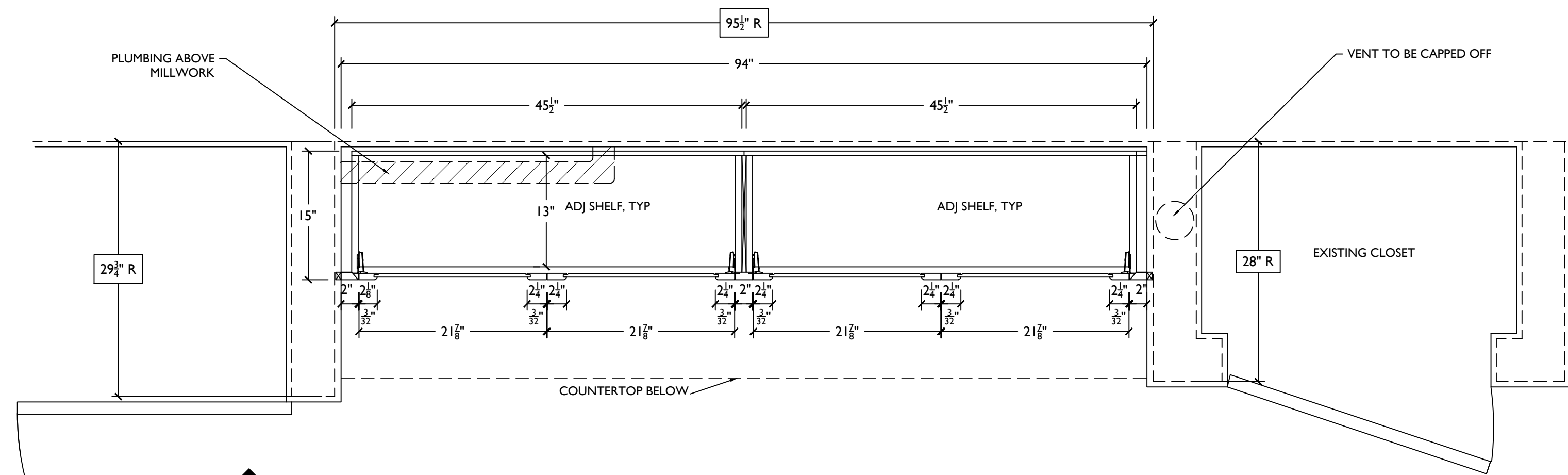


ELEVATION - 3RD FL BDR 2 (LAUNDRY) RM # 302
SCALE: 1"=1'-0" 3/A-11



SECTION - 3RD FL BDR 2 (LAUNDRY) RM# 302
SCALE: 1"=1'-0" 3/A-11

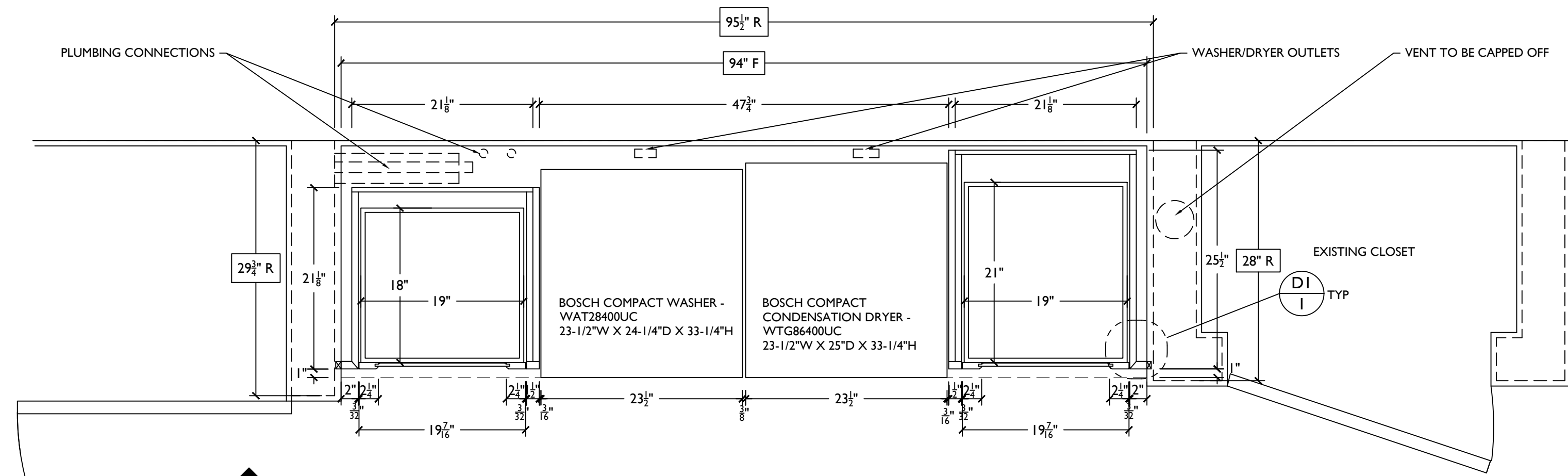
SECTION - 3RD FL BDR 2 (LAUNDRY) RM# 302
SCALE: 1"=1'-0" 3/A-11



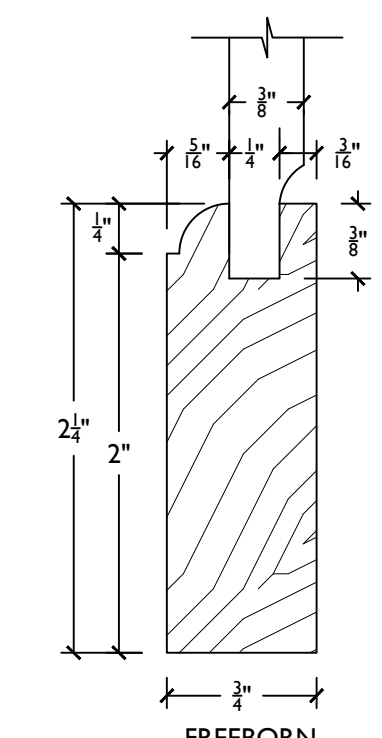
SECTION - 3RD FL BDR 2 (LAUNDRY) RM# 302
SCALE: 1"=1'-0" 3/A-11

FINISHES :
EXTERIOR: SHOP FINISHED PAINT GRADE (EXTERIORS AND EXPOSED SURFACES - SATIN SHEEN)
INTERIORS: WHITE MELAMINE, DRAWERS 1\"/>

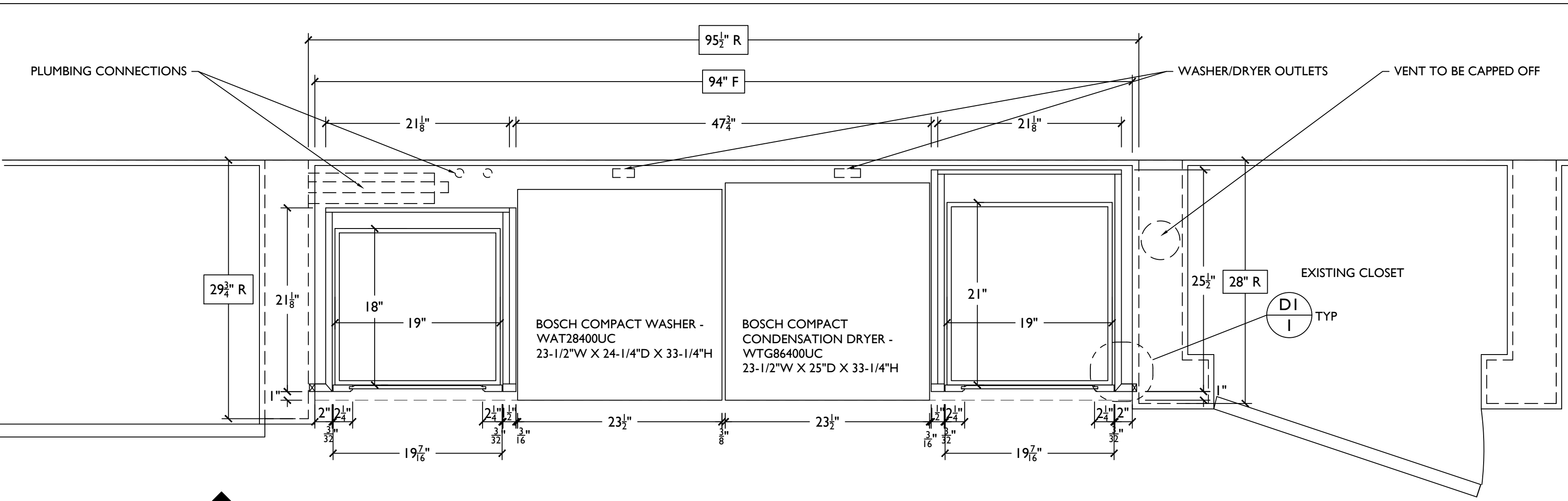
NOTES :
GC OR ARCHITECT SHALL PROVIDE THE FOLLOWING:
- ALL HARDWARE SPECIFICATIONS AND LOCATIONS



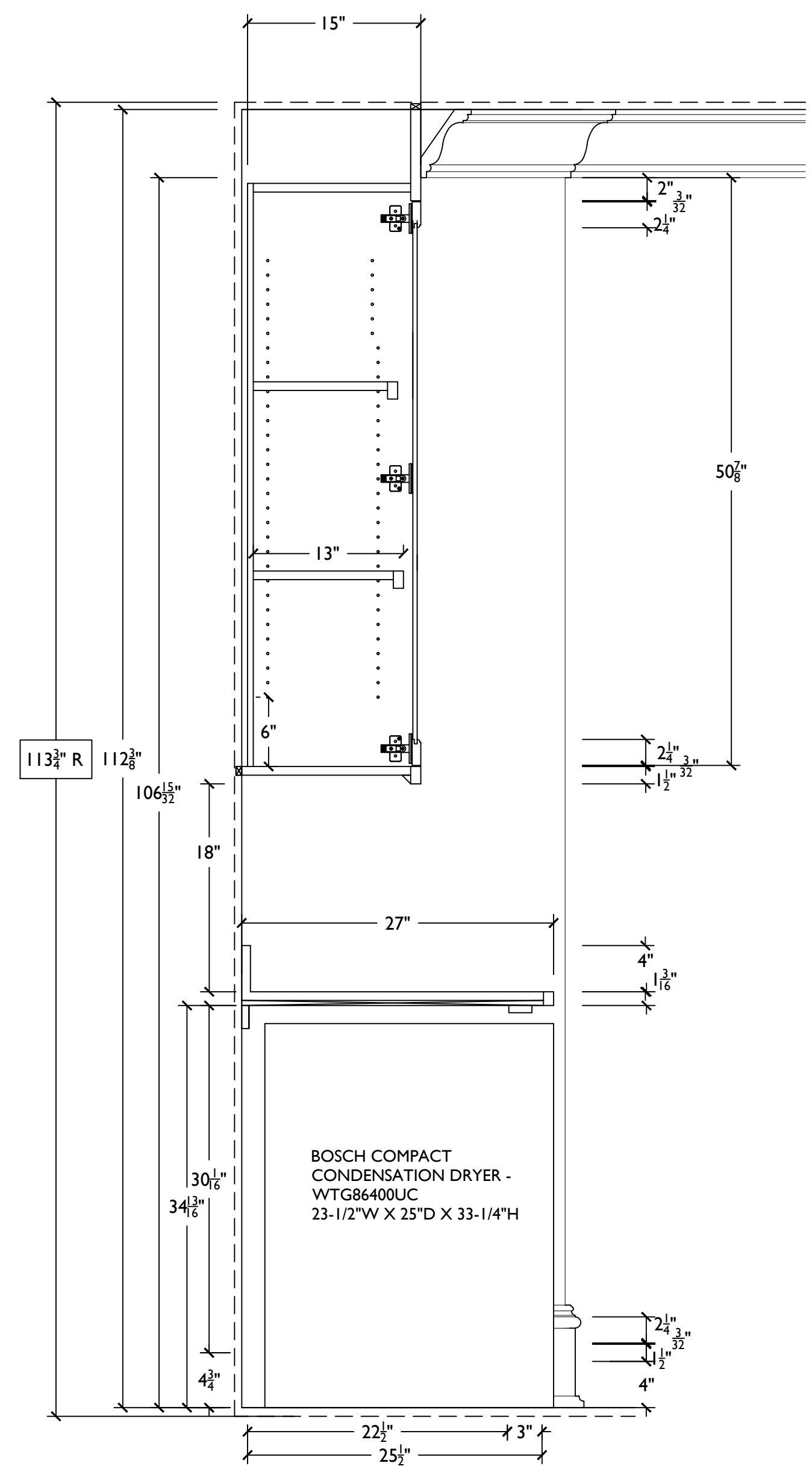
SECTION - 3RD FL BDR 2 (LAUNDRY)
SCALE: 1"=1'-0" 3/A-11



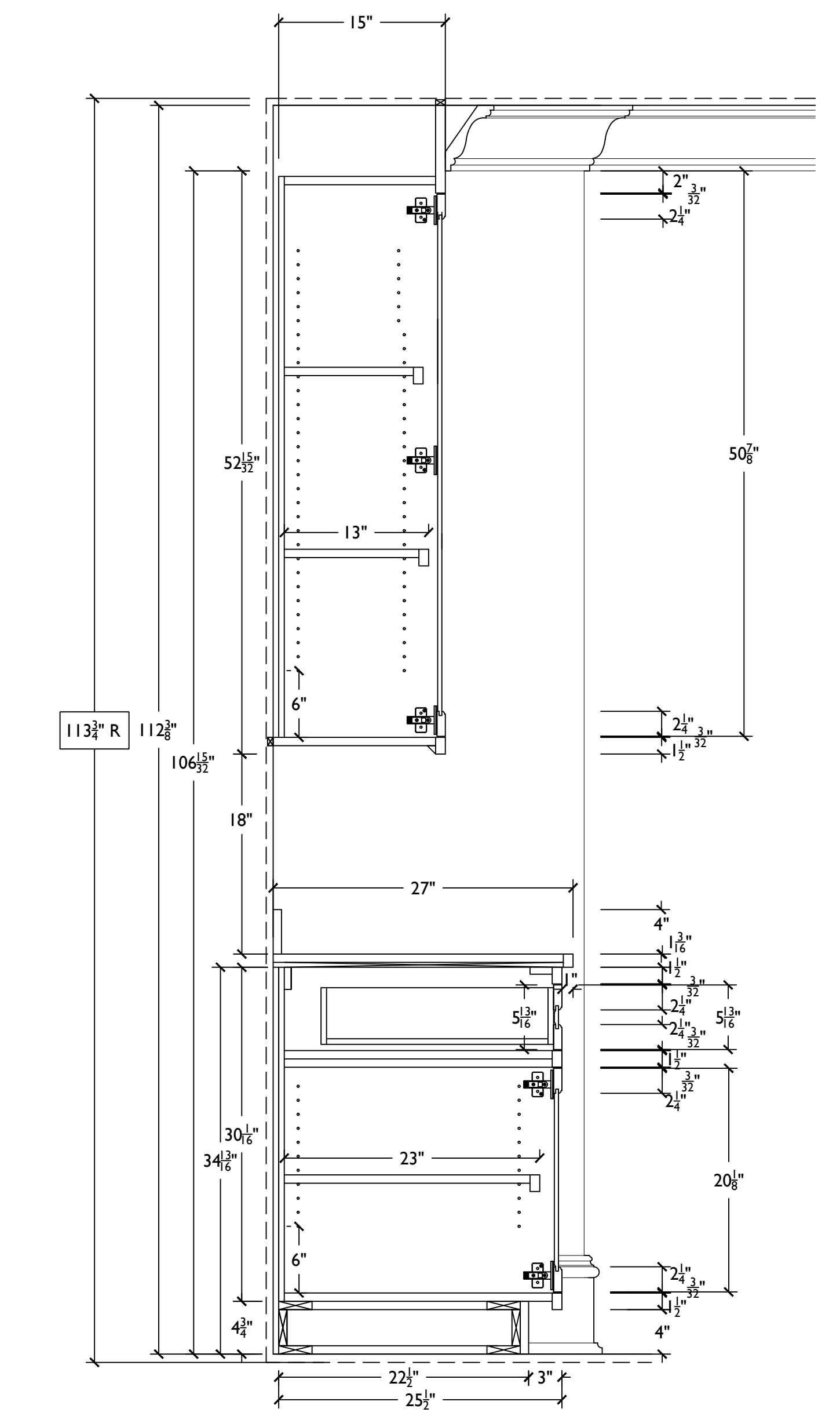
D1 - DOOR PROFILE
SCALE: FULL



SECTION - 3RD FL BEDROOM 2 (LAUNDRY AREA)
SCALE: 1"=1'-0"
3/A-11



SECTION - 3RD FL BDR 2 (LAUNDRY) RM# 302
SCALE: 1"=1'-0"
3/A-11



SECTION - 3RD FL BDR 2 (LAUNDRY) RM# 302
SCALE: 1"=1'-0"
3/A-11

FINISHES:
EXTERIOR: SHOP FINISHED PAINT GRADE (EXTERIORS AND EXPOSED SURFACES - SATIN SHEEN)
INTERIORS: WHITE MELAMINE, DRAWERS 1/2" SOLID MAPLE INTERIORS (CLEAR FINISH)
COUNTERTOP: BY OTHERS