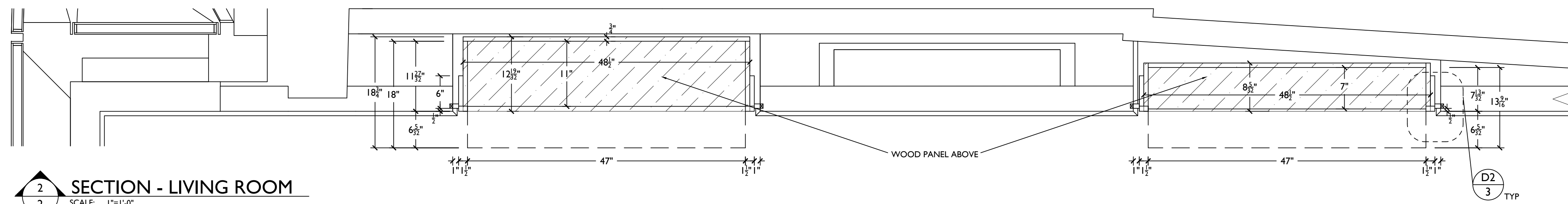


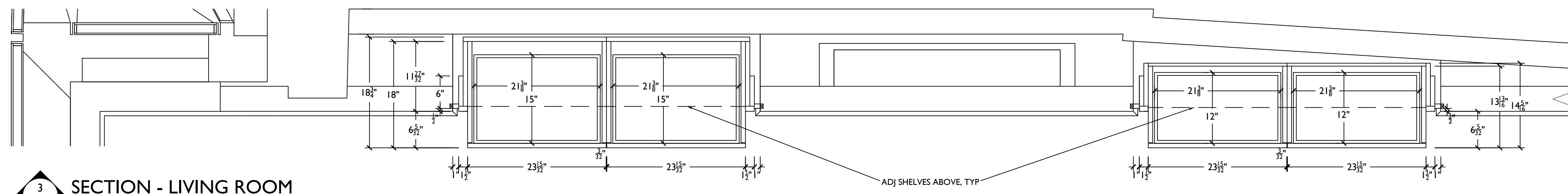
DESIGN SPECIFIC DRAW  
 TOUCH CABIN  
 OUTLINE SIDES

**1**  
**2** ELEVATION - LIVING ROOM  
 SCALE: 1"=1'-0"

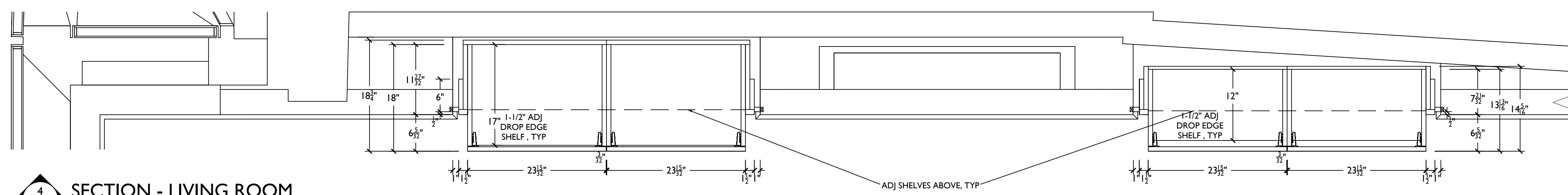
FINISHES:  
 EXTERIOR/INTERIOR: DRAWERS, CABINET & ADJ. SHELF @ CABINET HIGH GLOSS LACQUER FINISH  
 EXTERIOR: ADJ. SHELVES, PANELS AND FRAME - RIFT WHITE OAK STAINED CHARCOAL/DARK GREY



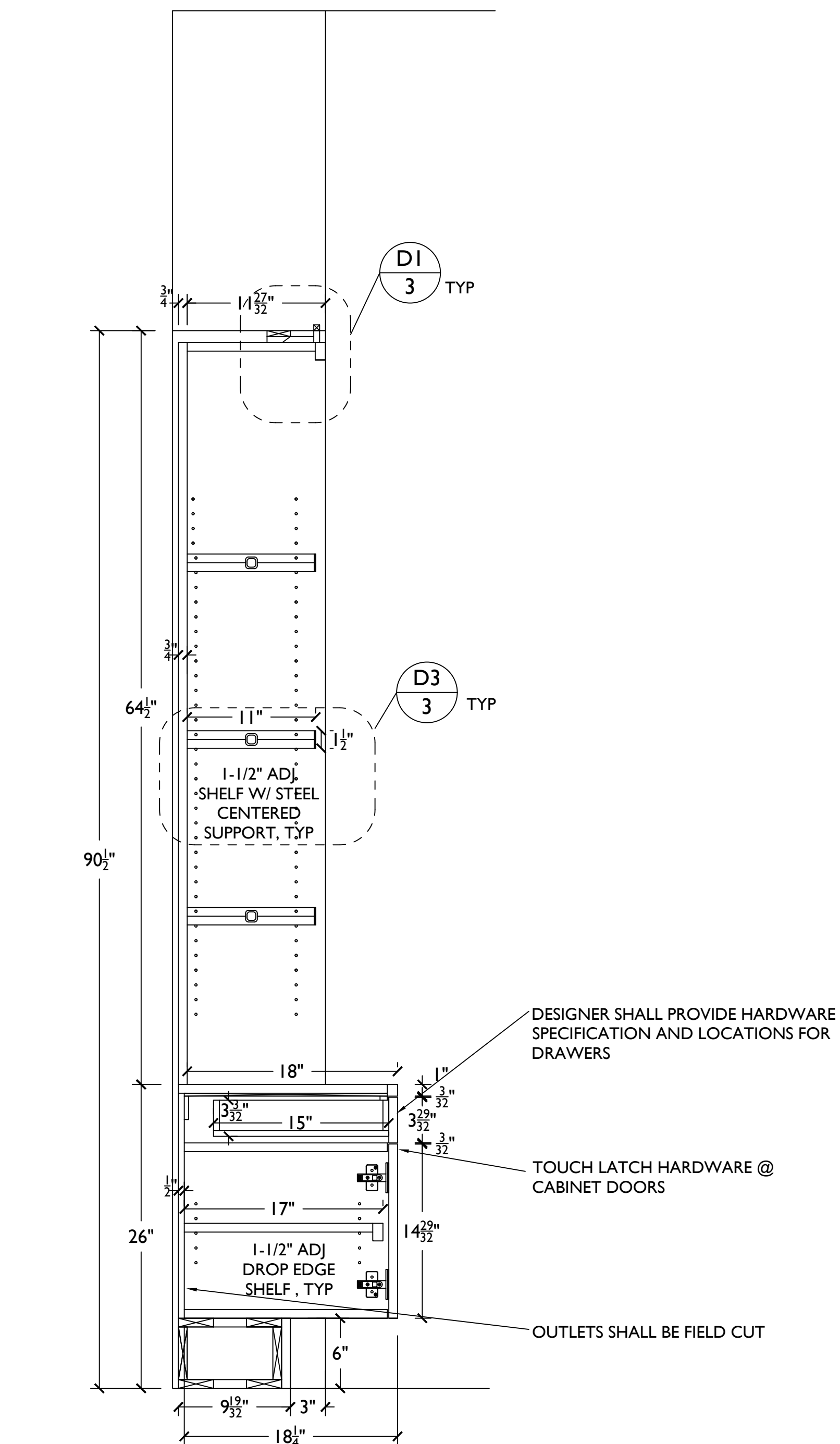
**2**  
**2** SECTION - LIVING ROOM  
 SCALE: 1"=1'-0"



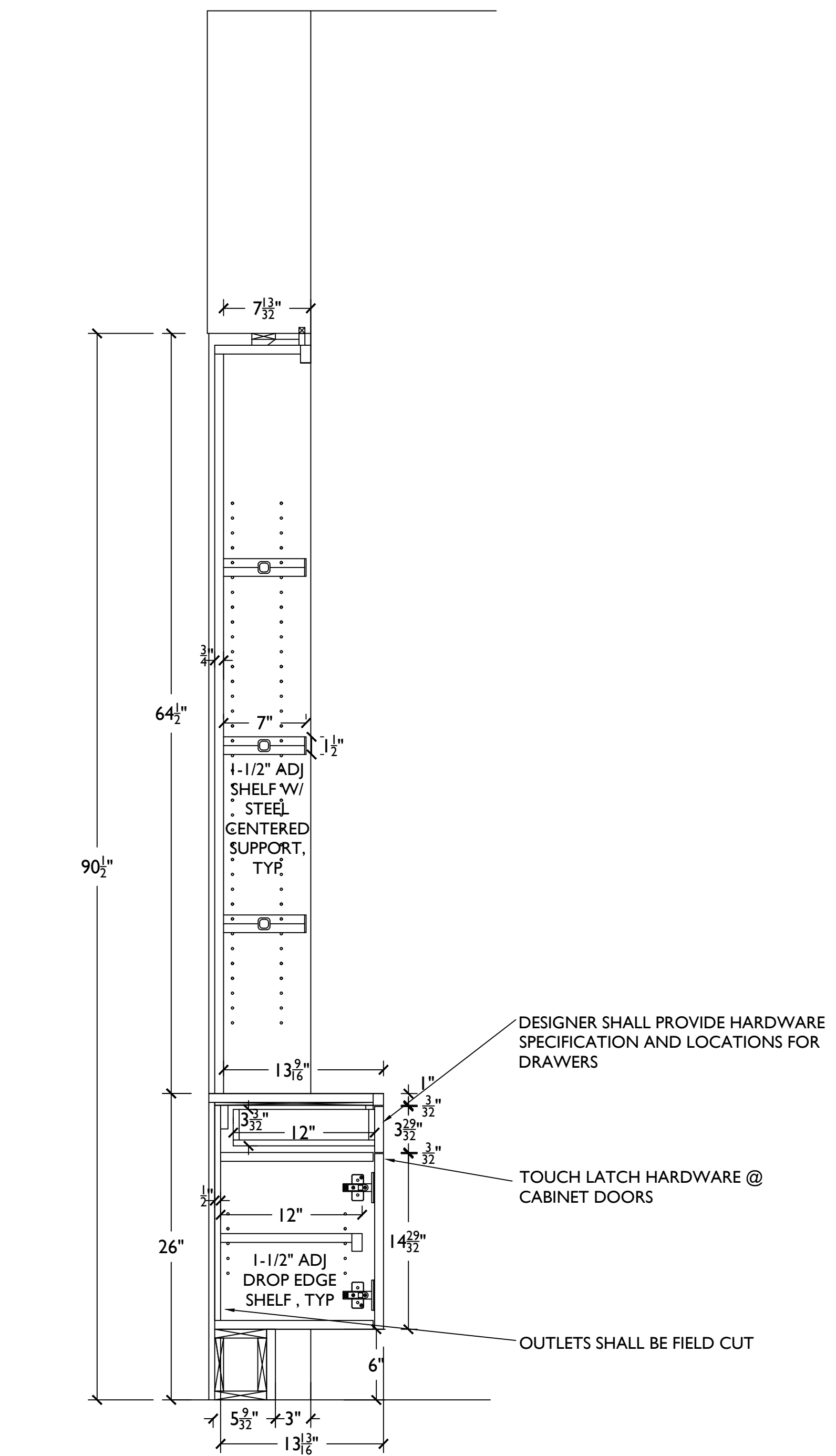
**3**  
**2** SECTION - LIVING ROOM  
 SCALE: 1"=1'-0"



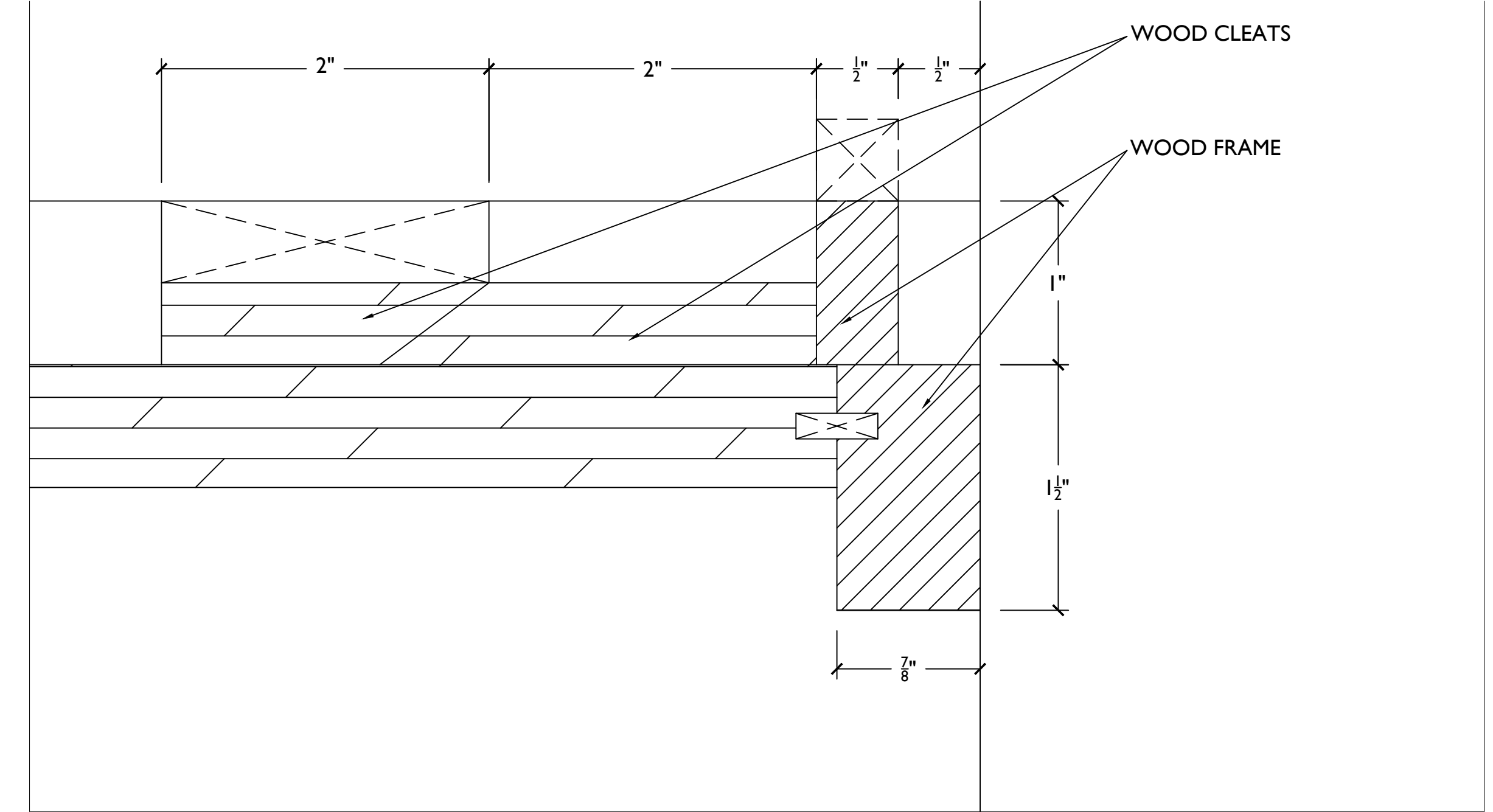
**4**  
**2** SECTION - LIVING ROOM  
 SCALE: 1"=1'-0"



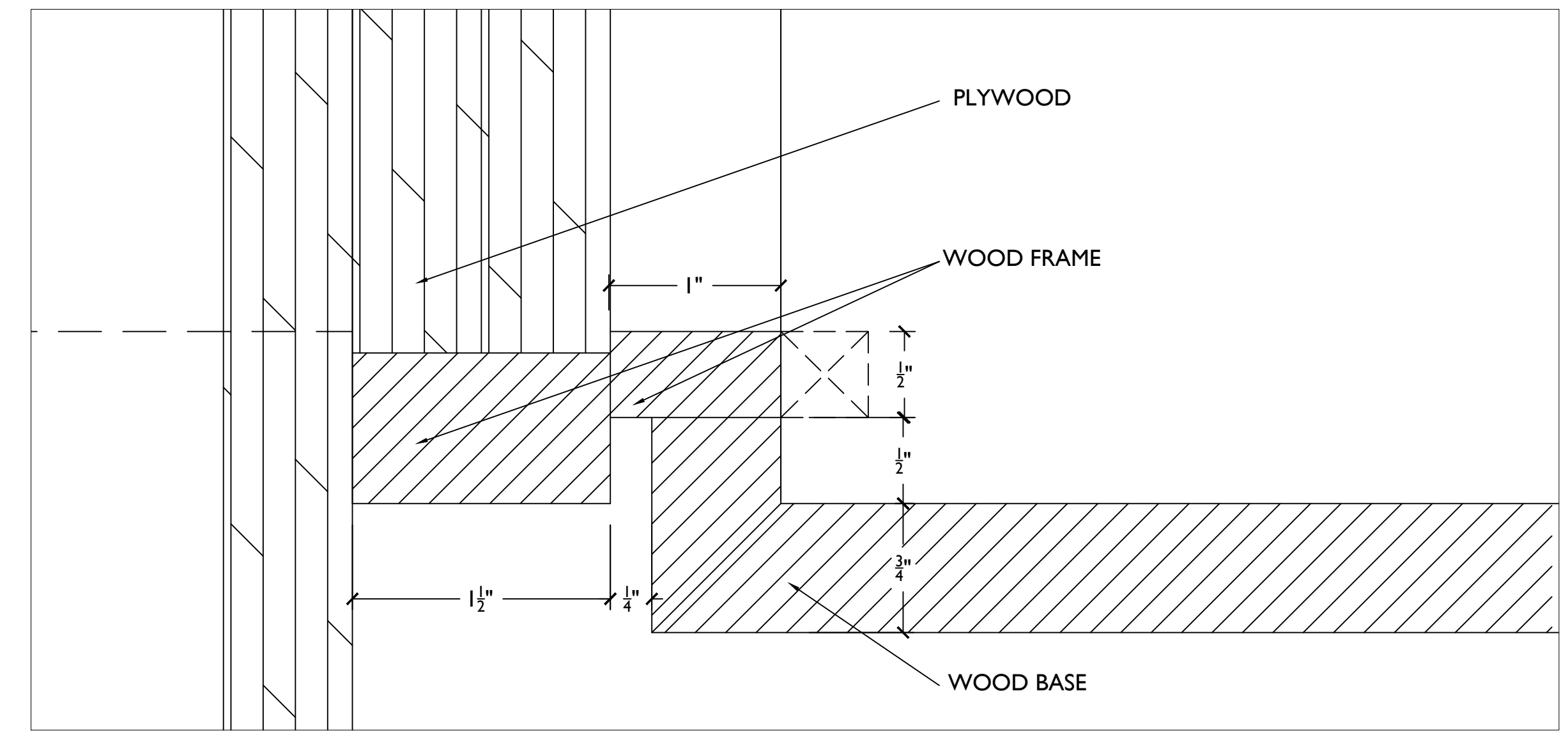
**1 SECTION -LIVING ROOM**  
SCALE: 1"=1'-0"



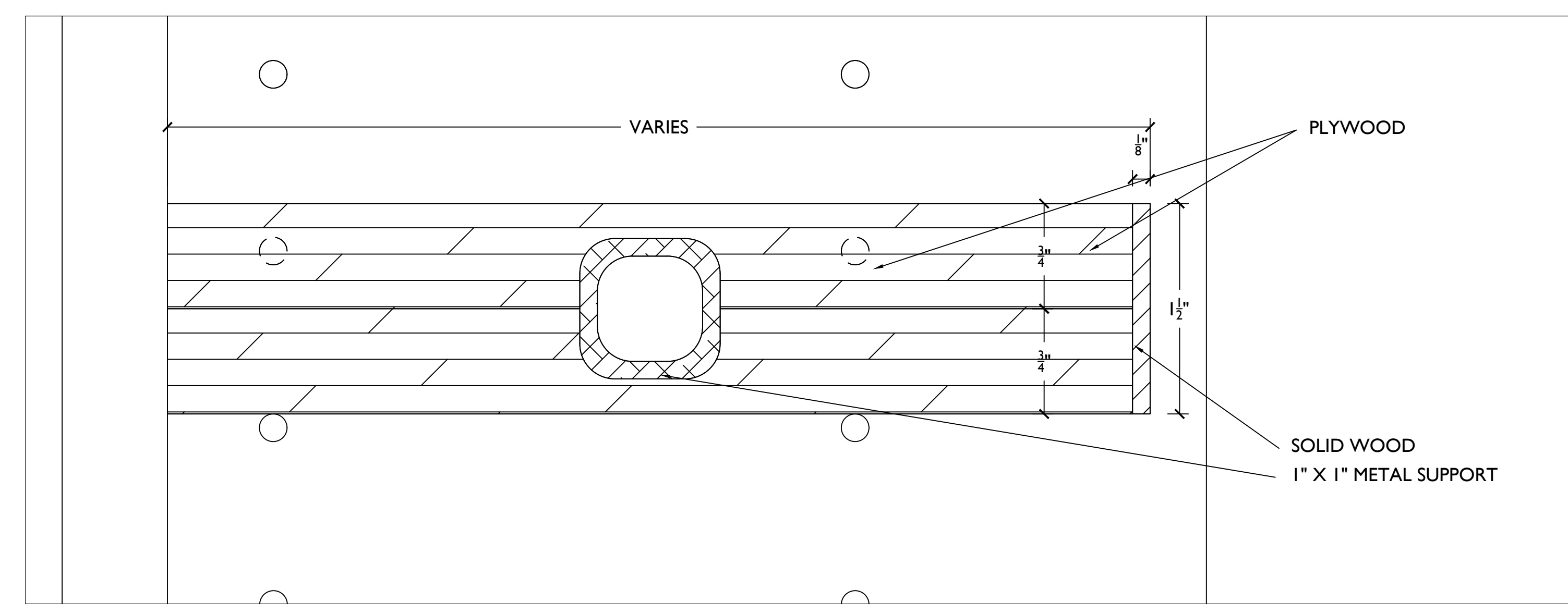
**2 SECTION -LIVING ROOM**  
SCALE: 1"=1'-0"



**D1 TYP. FRAME DETAIL/REVEAL @ UNDERSIDE OF SOFFIT**  
SCALE: FULL SIZE



**D2 TYP. FRAME DETAIL/REVEAL @ BASE TRANSITION**  
SCALE: FULL SIZE



**D3 TYP. ADJ SHELVES @ OPEN CABINET**  
SCALE: FULL SIZE