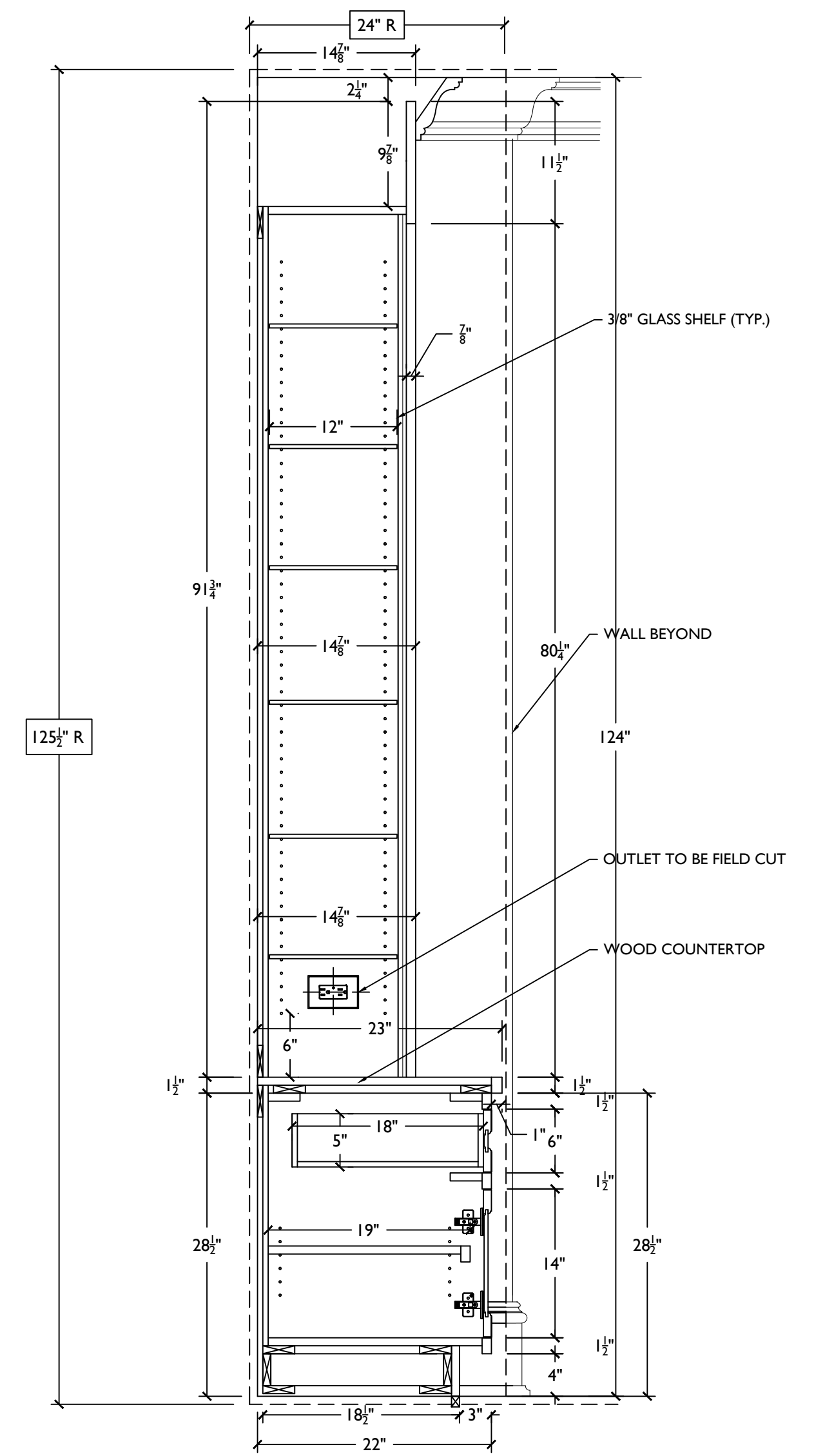


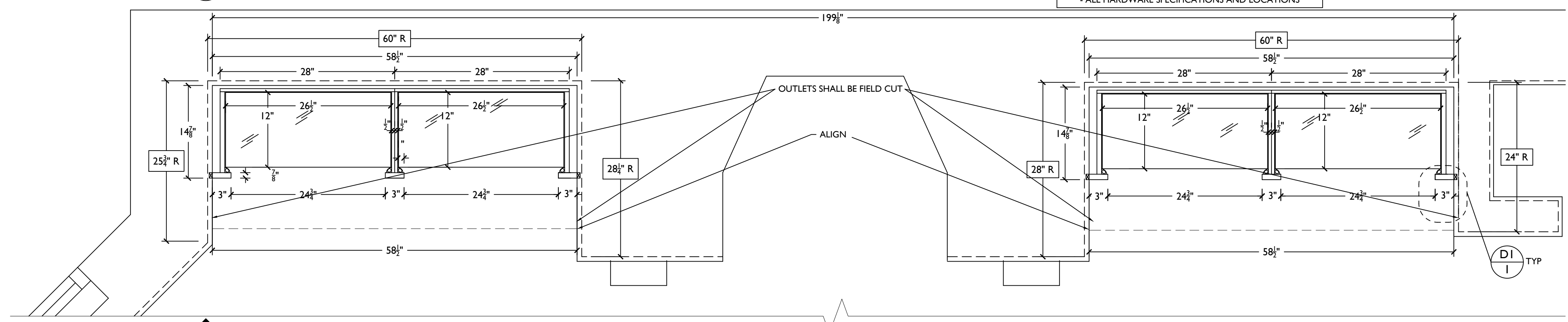
1 ELEVATION - 3RD FL LIVING ROOM RM# 309
SCALE: 1"=1'-0"

FINISHES:
EXTERIOR: SHOP FINISHED PAINT GRADE
INTERIORS: MAPLE INTERIORS (CLEAR FINISH)

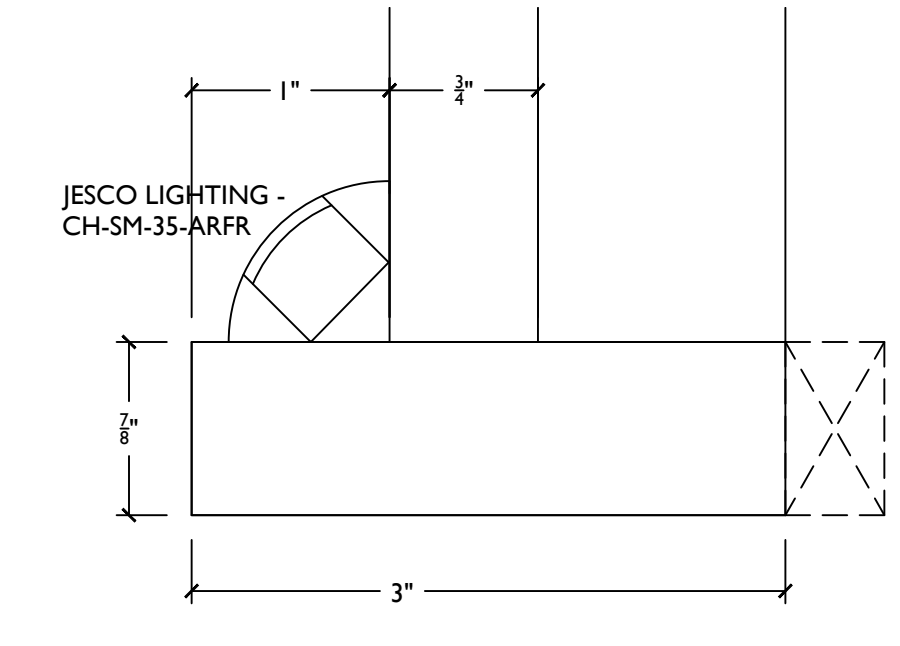
NOTES:
GC OR ARCHITECT SHALL PROVIDE THE FOLLOWING:
- CABINET LIGHTING
- ALL HARDWARE SPECIFICATIONS AND LOCATIONS



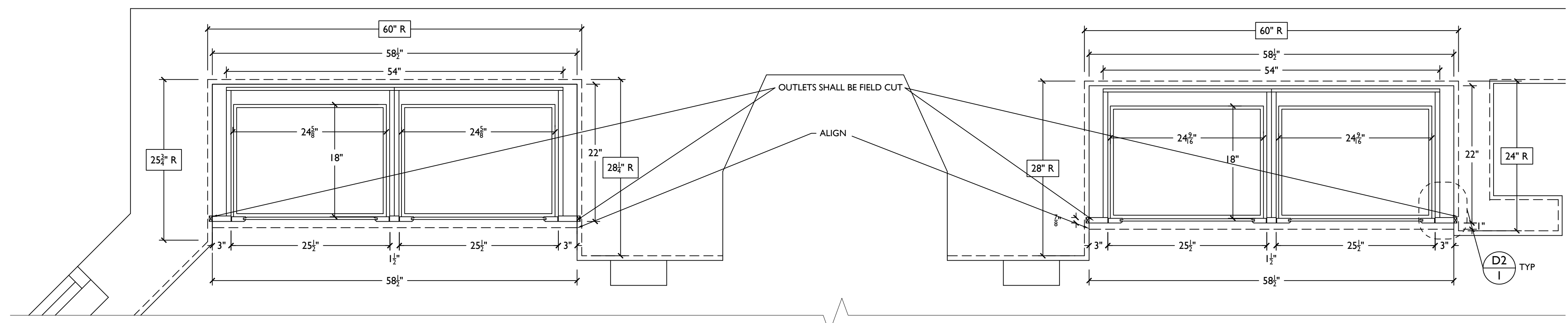
4 SECTION - 3RD FL LIVING ROOM RM# 309
SCALE: 1"=1'-0"



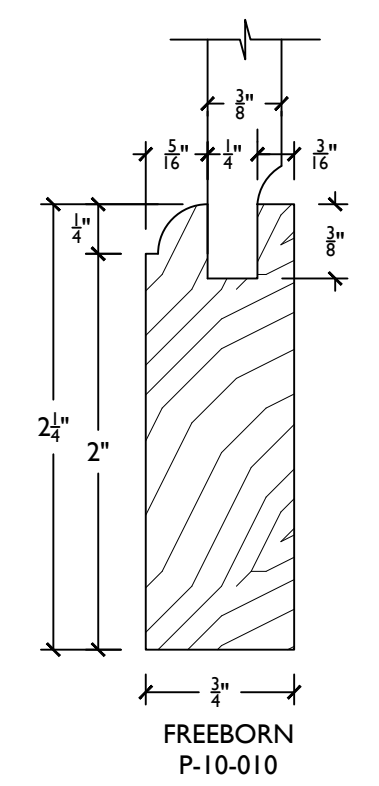
2 SECTION - 3RD FL LIVING ROOM RM# 309
SCALE: 1"=1'-0"



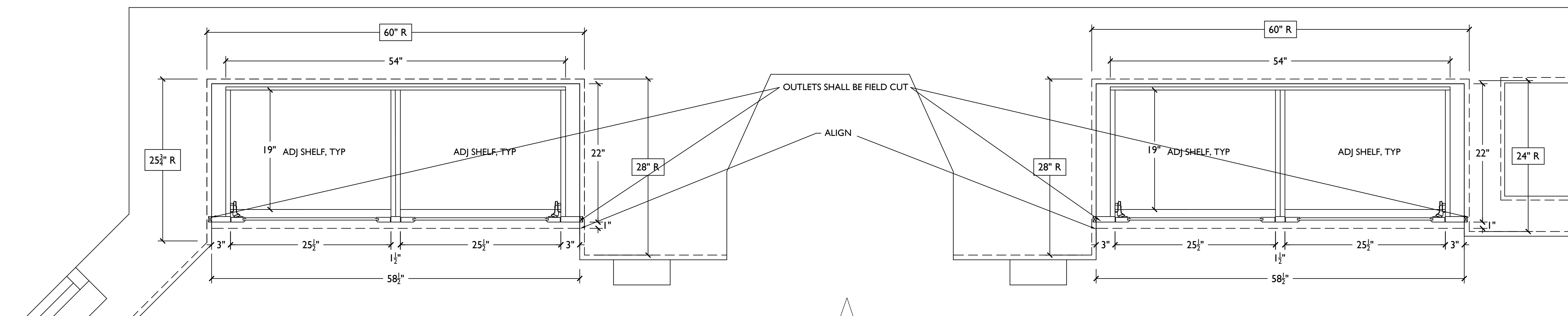
D1 DETAIL - CABINET LIGHTING
SCALE: FULL



3 SECTION - 3RD FL LIVING ROOM RM# 309
SCALE: 1"=1'-0"



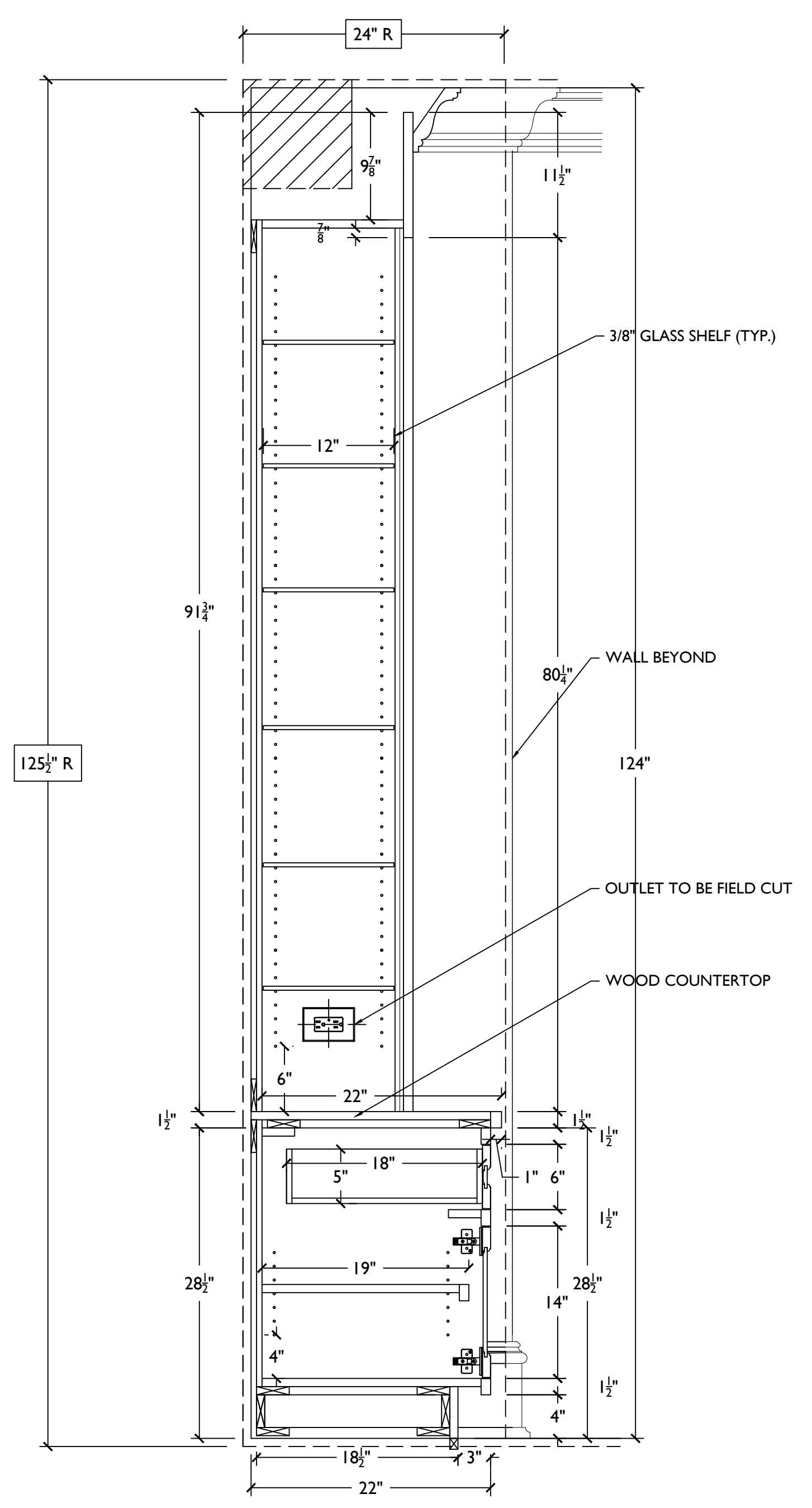
D2 DETAIL - DOOR PROFILE
SCALE: FULL



1 SECTION - 3RD FL LIVING ROOM RM# 309
 2 SCALE: 1"=1'-0" 12/A-11

FINISHES:
 EXTERIOR: SHOP FINISHED PAINT GRADE
 INTERIORS: MAPLE INTERIORS (CLEAR FINISH)

NOTES:
 GC OR ARCHITECT SHALL PROVIDE THE FOLLOWING:
 - CABINET LIGHTING
 - ALL HARDWARE SPECIFICATIONS AND LOCATIONS



2 SECTION - 3RD FL LIVING ROOM RM# 309
 2 SCALE: 1"=1'-0" 12/A-11