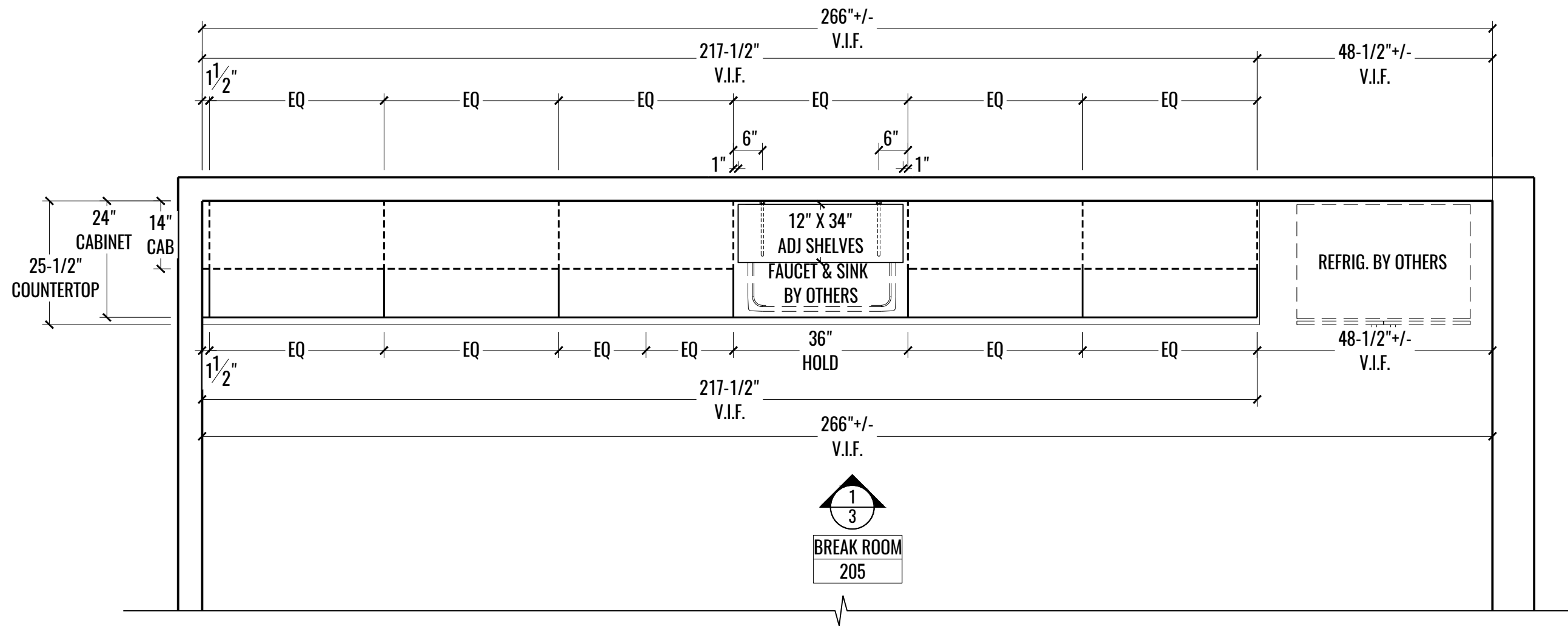
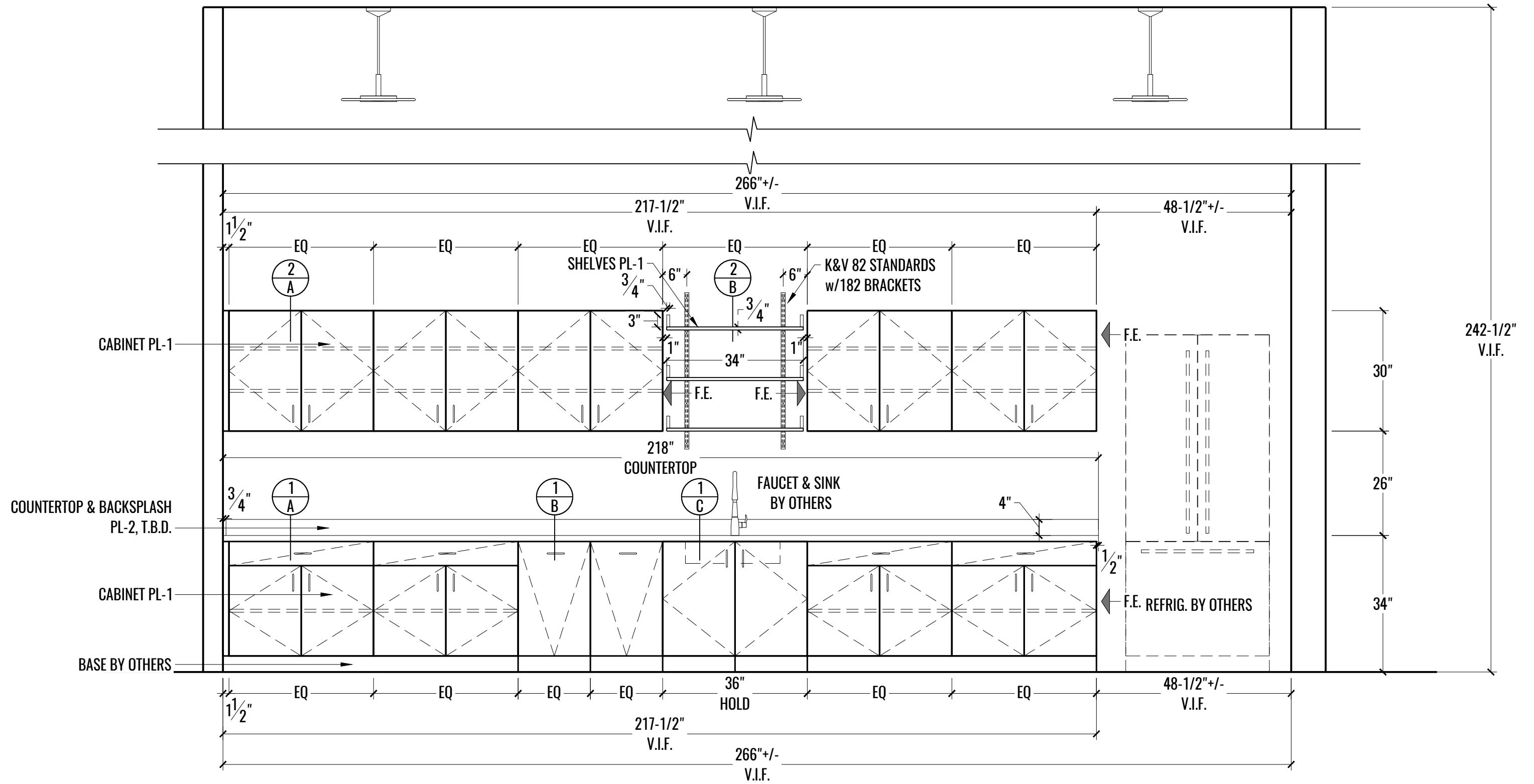


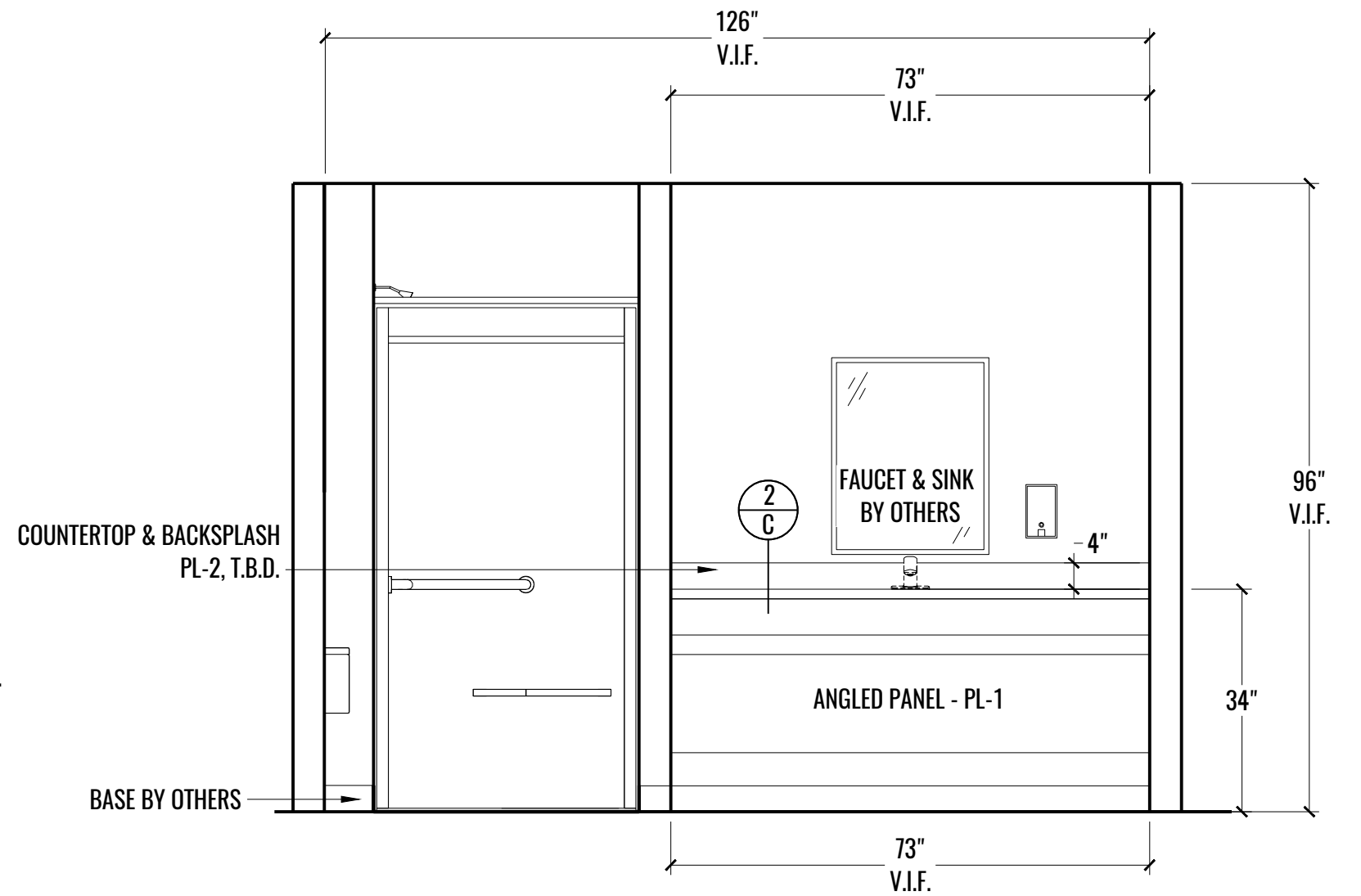
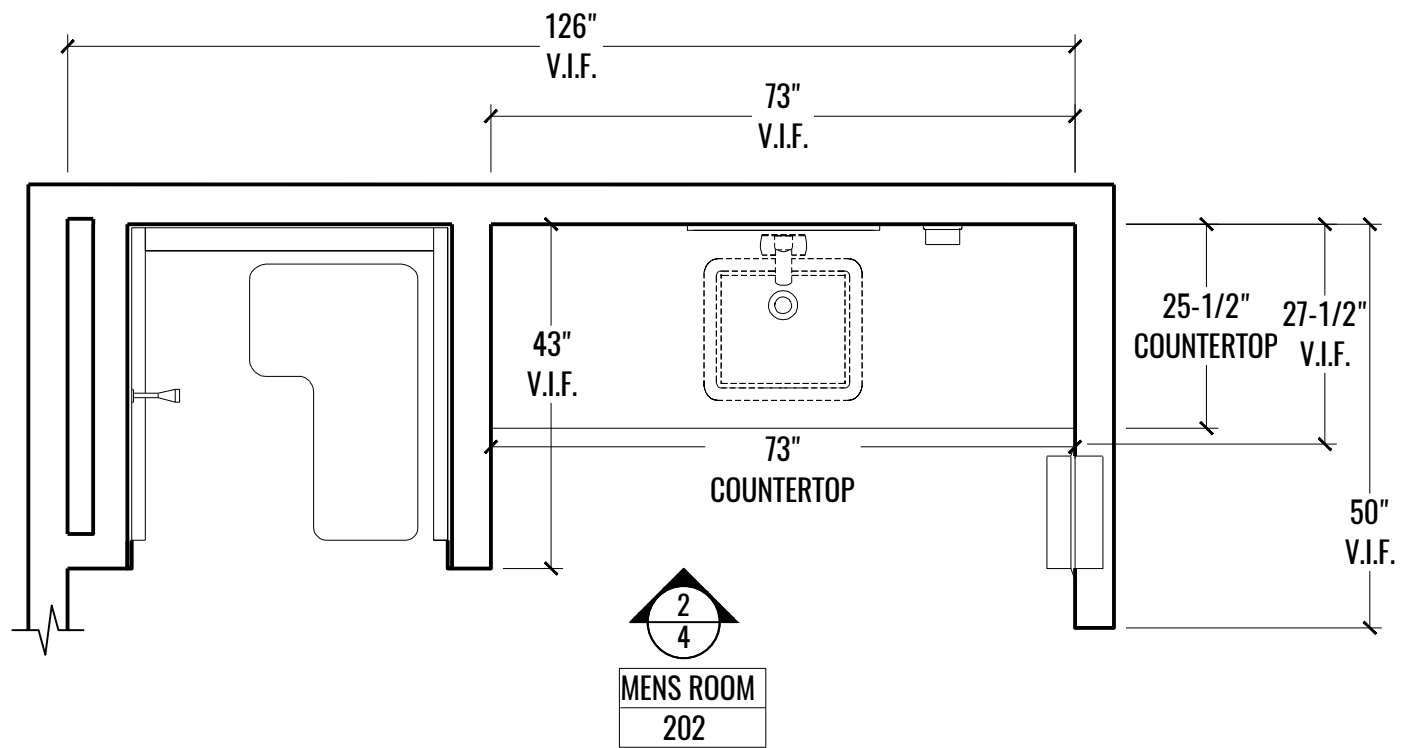
1 PLAN: PROJECT SCOPE  
 1 SCALE: NOT TO SCALE



1 PLAN: BREAK ROOM - 205  
 2 SCALE: 1/2" = 1' - 0"

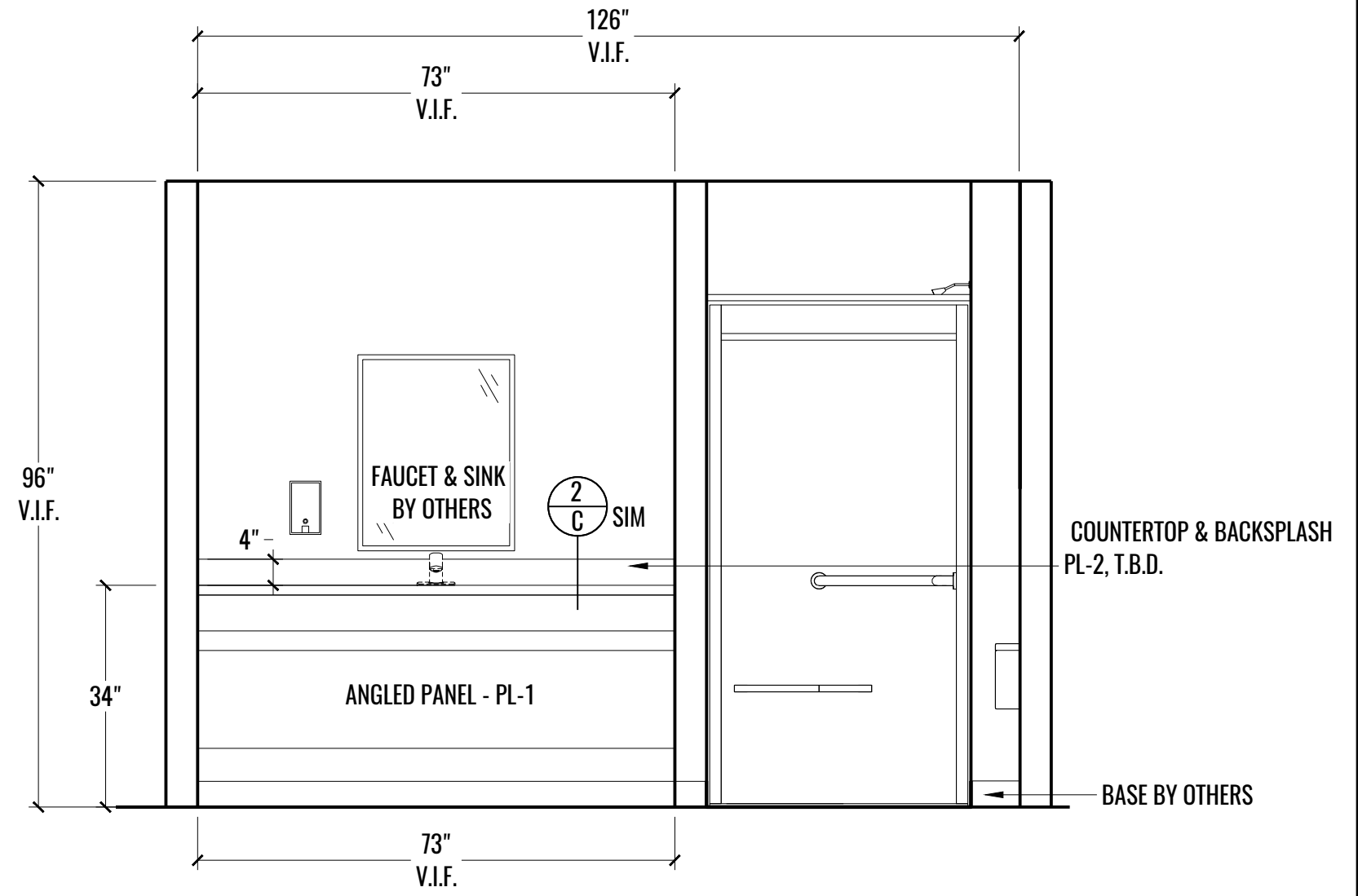
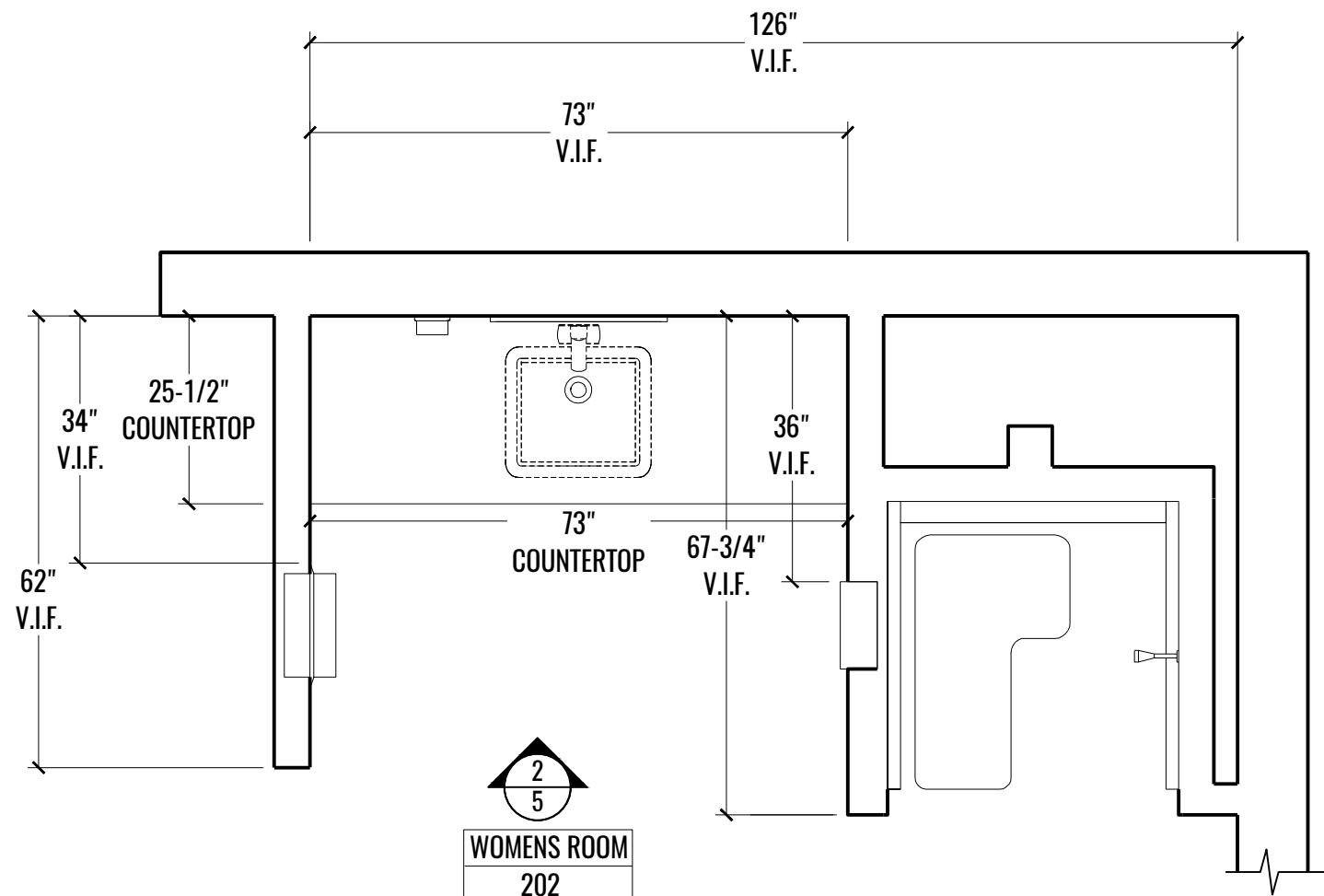


2 ELEVATION: BREAK ROOM - 205  
 3 SCALE: 1/2" = 1'-0"



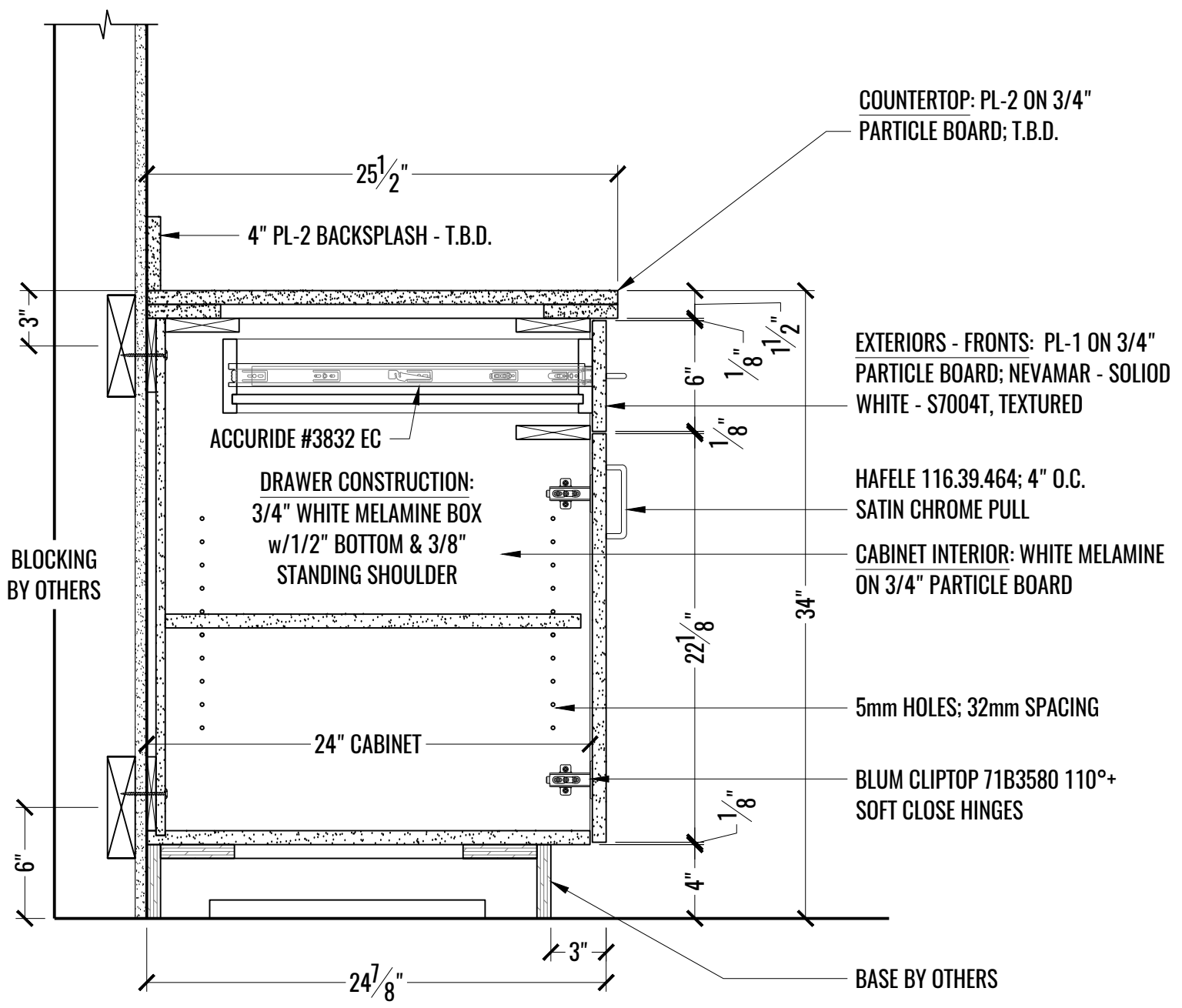
1 PLAN: MENS ROOM - 202  
4 SCALE: 1/2" = 1'-0"

2 ELEVATION: MENS ROOM - 202  
4 SCALE: 1/2" = 1'-0"

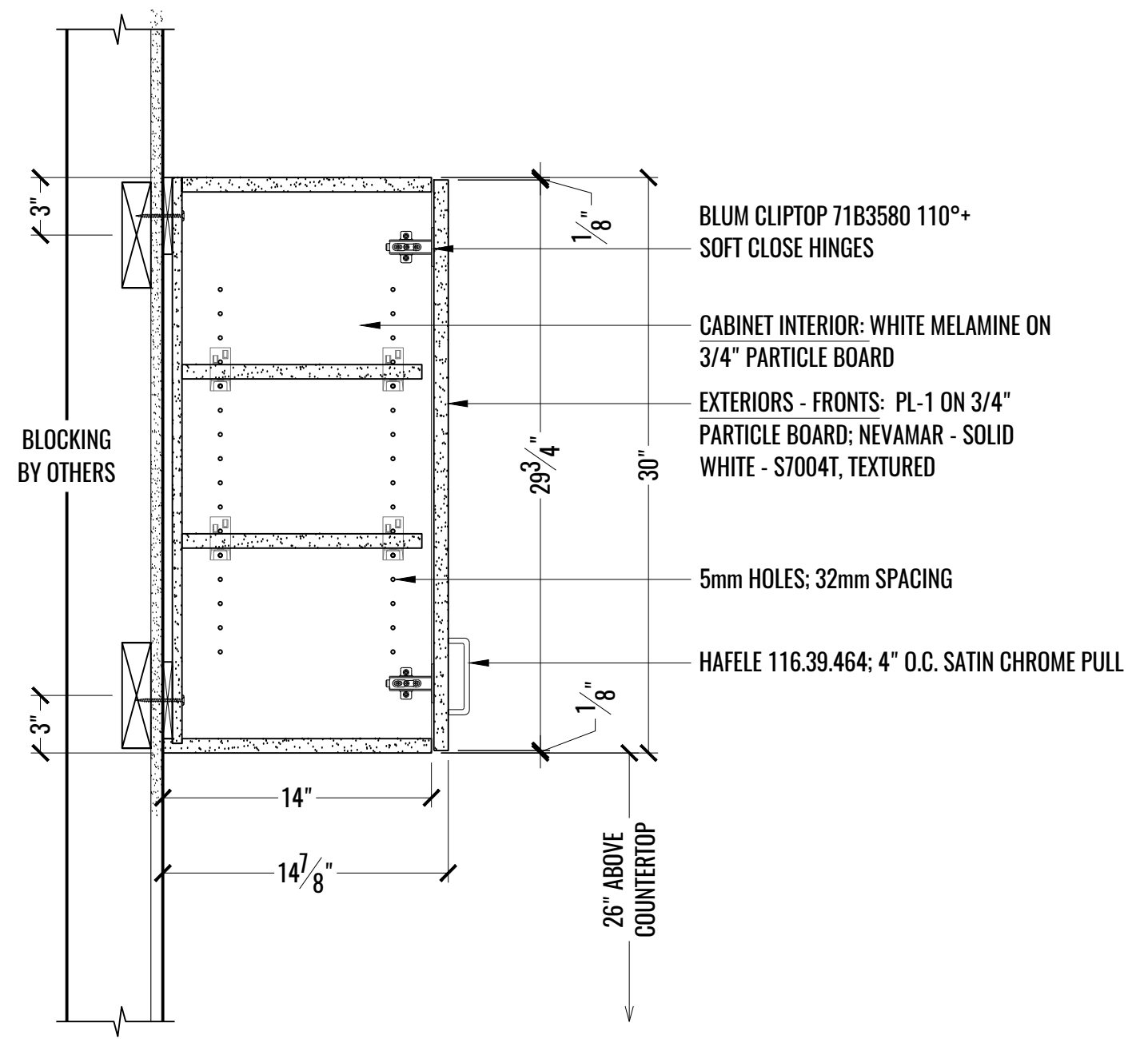


1 PLAN: WOMENS ROOM - 203  
5 SCALE: 1/2" = 1'-0"

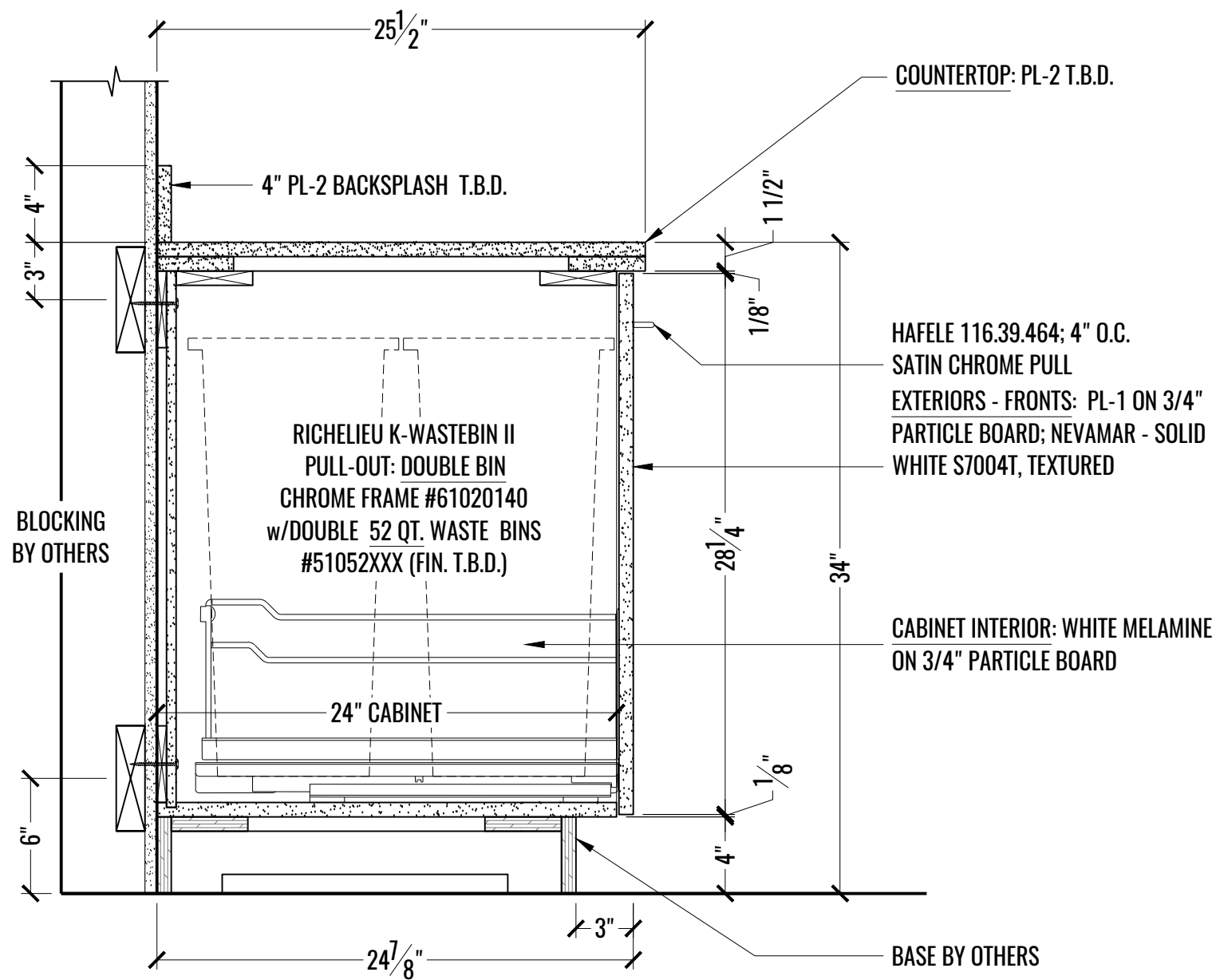
2 ELEVATION: WOMENS ROOM - 203  
5 SCALE: 1/2" = 1'-0"



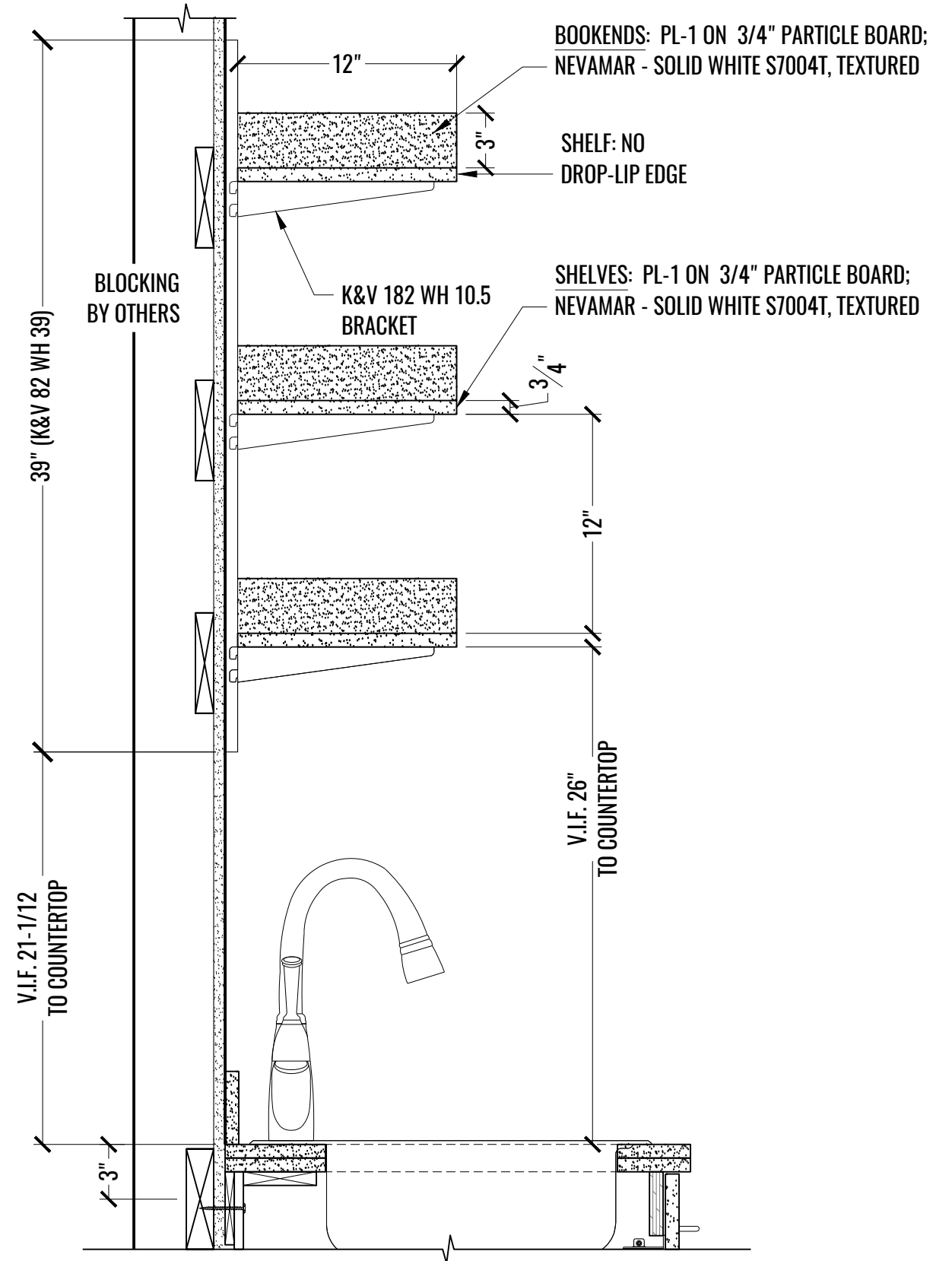
1 SECTION: BASE CABINET - BREAK ROOM - 205  
A SCALE: 1-1/2" = 1'-0"



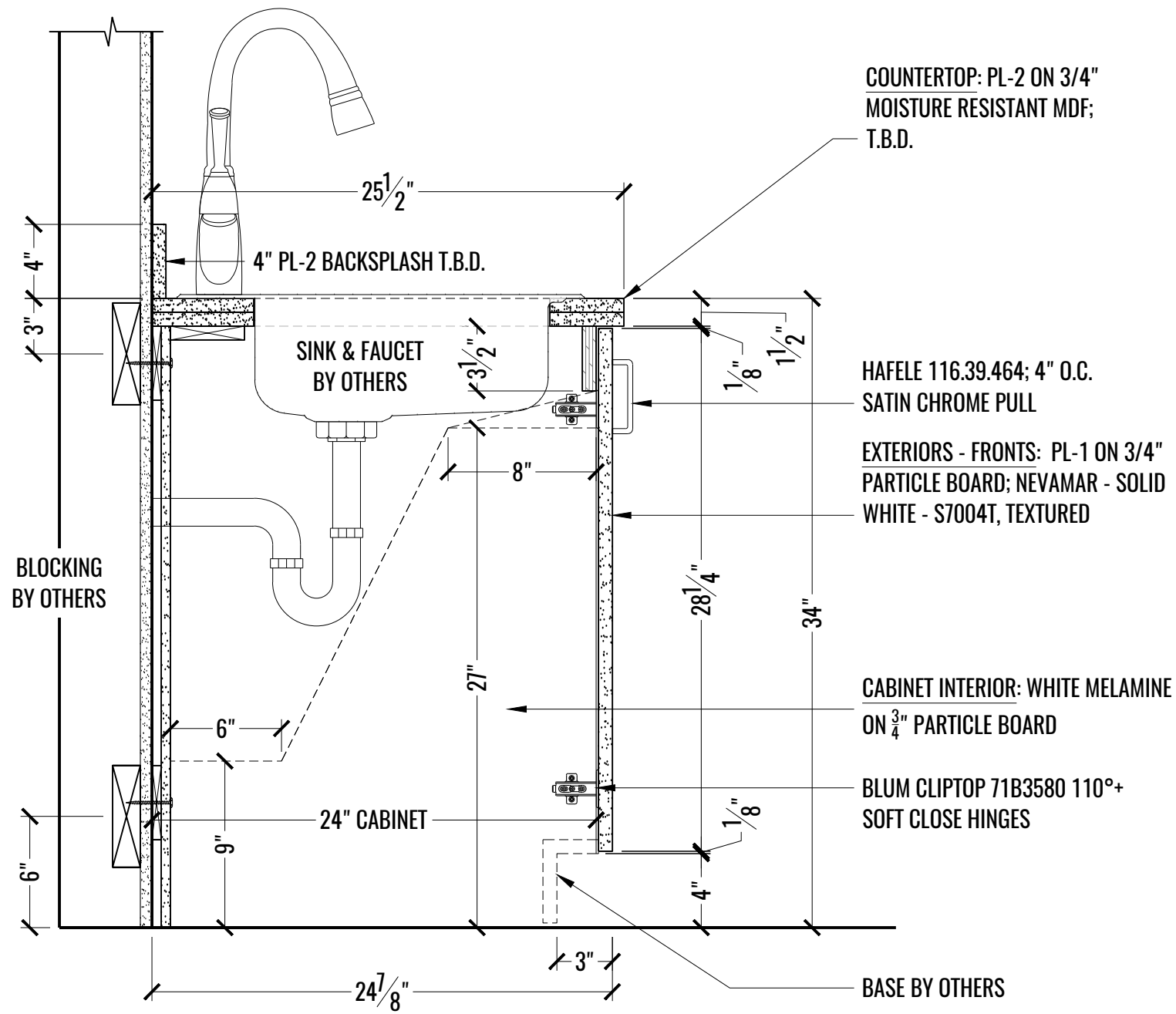
2 SECTION: CABINET UPpers - BREAK ROOM - 205  
A SCALE: 1-1/2" = 1'-0"



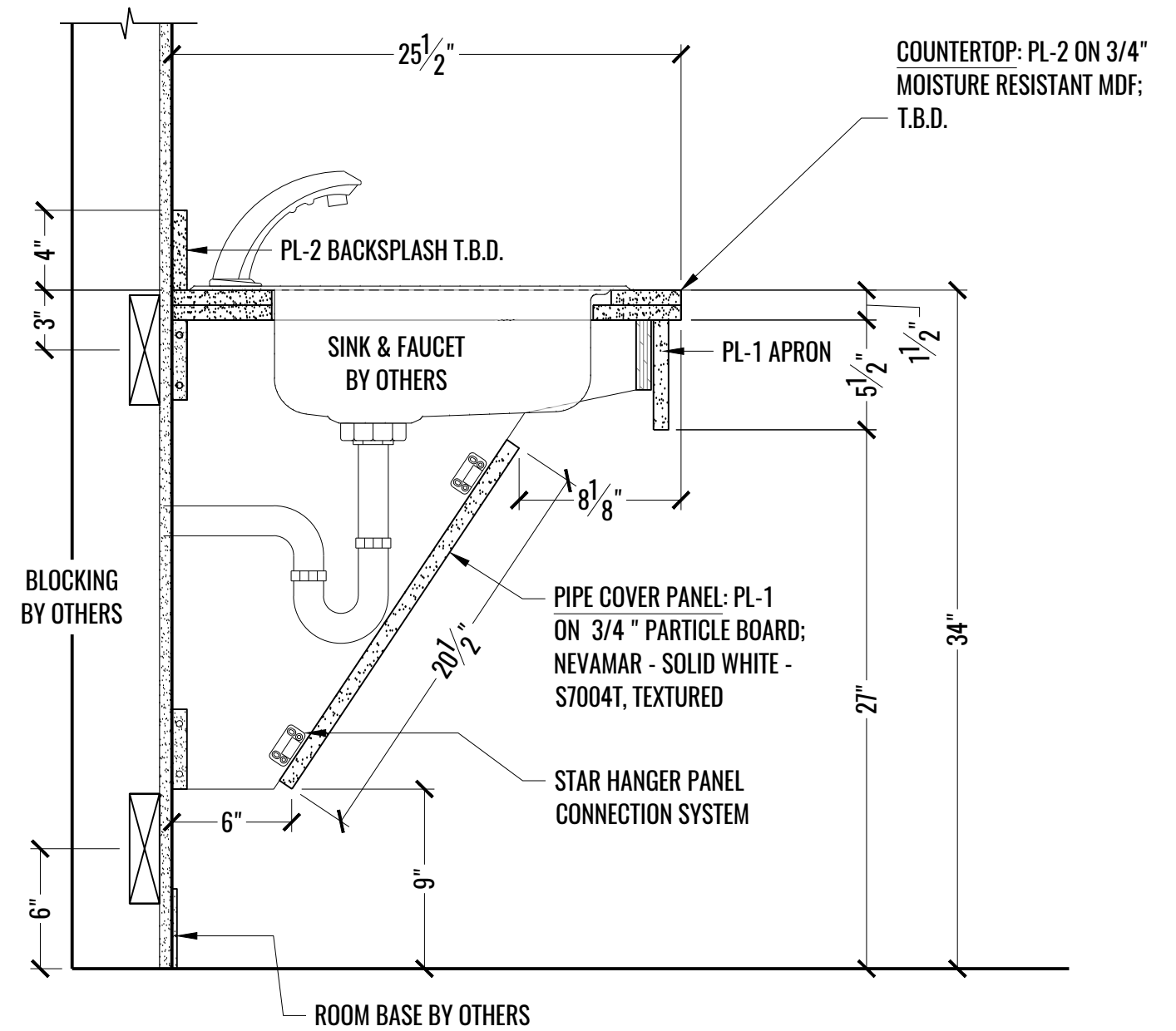
1 SECTION: TRASH ROLLOUT - BREAK ROOM - 205  
B SCALE: 1-1/2" = 1'-0"



2 SECTION: PLAM SHELVES & STANDARDS - BREAK ROOM - 205  
B SCALE: 1-1/2" = 1'-0"



1 SECTION: SINK @ BREAK ROOM - 205  
C SCALE: 1-1/2" = 1'-0"



2 SECTION: SINK @ MENS RM# 202 & WOMENS RM# 203  
C SCALE: 1-1/2" = 1'-0"