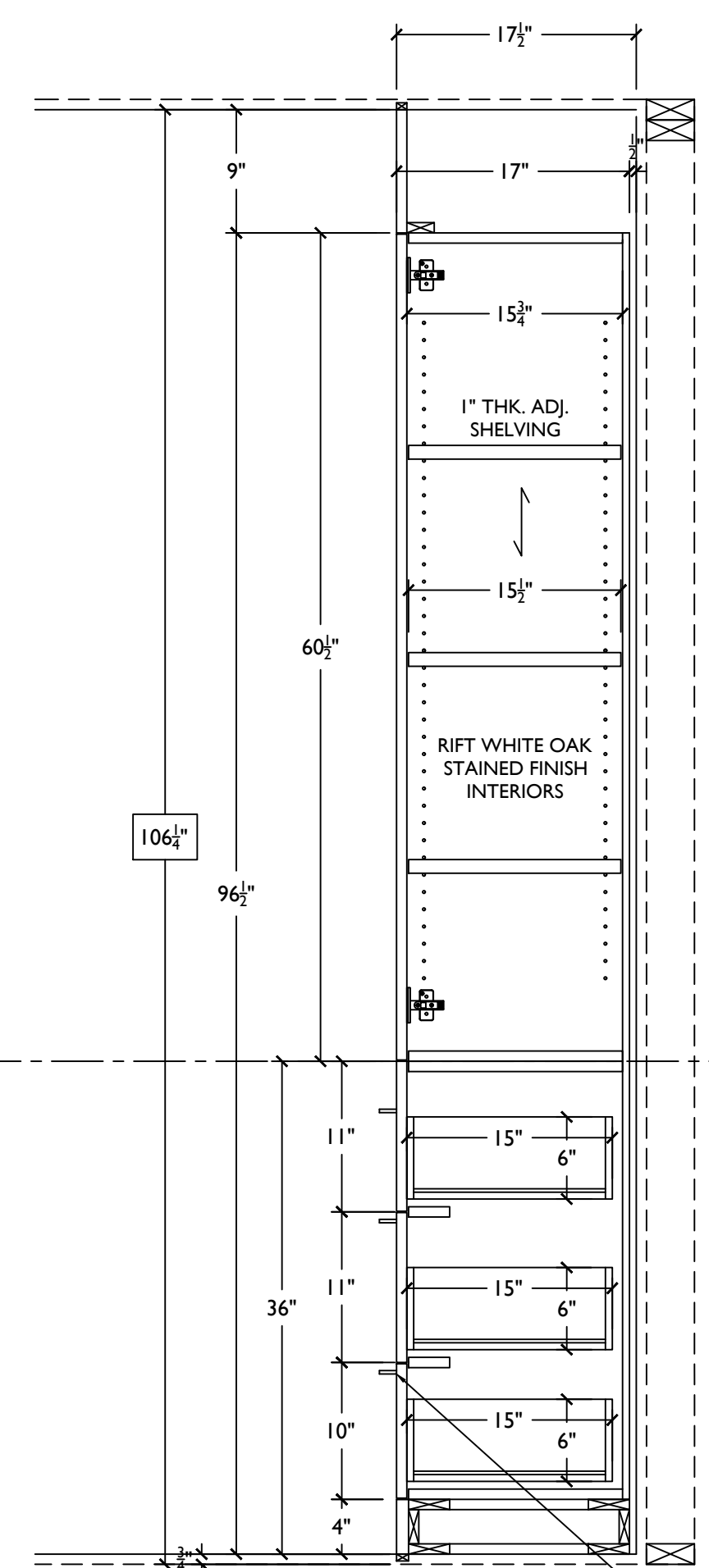
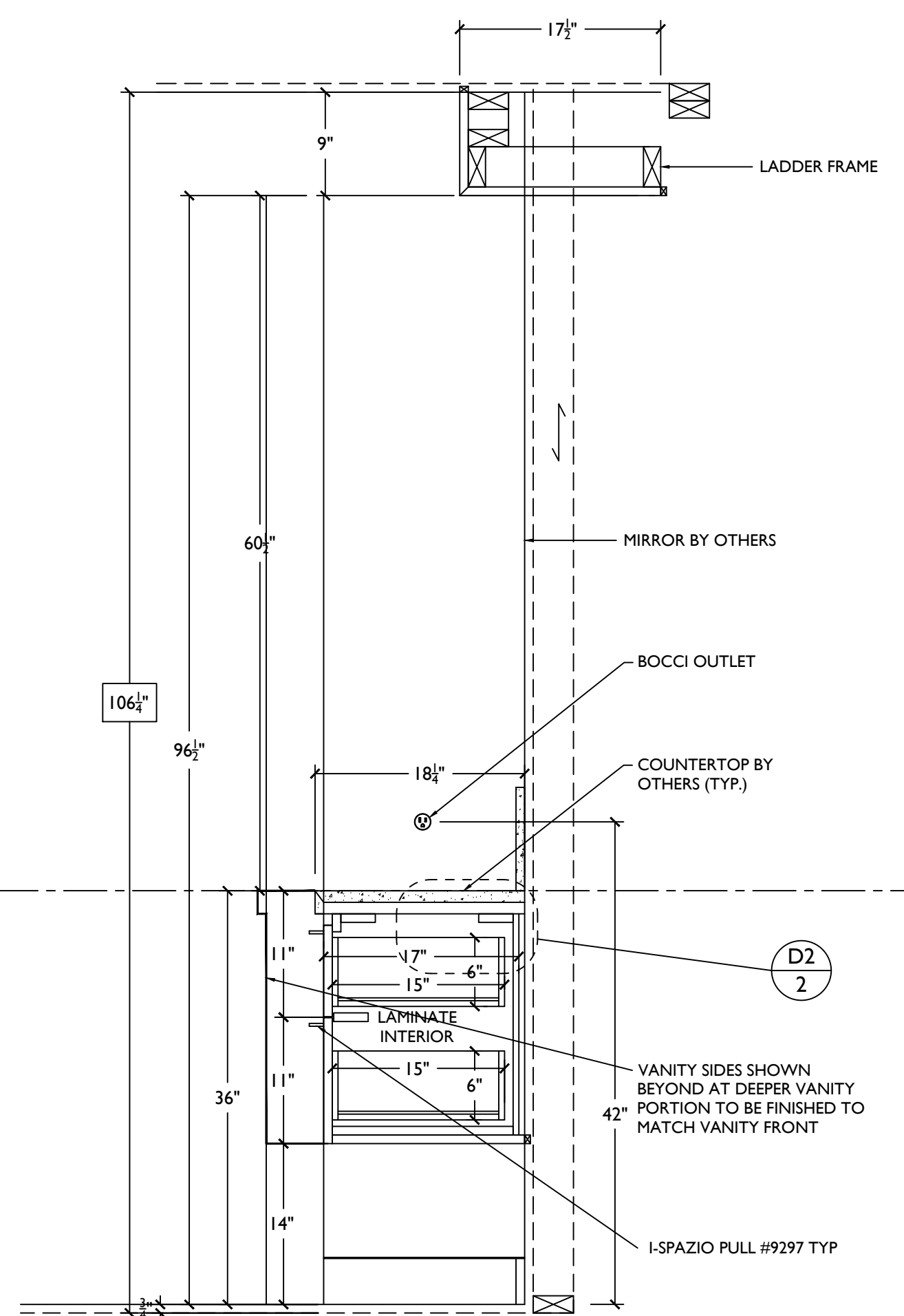


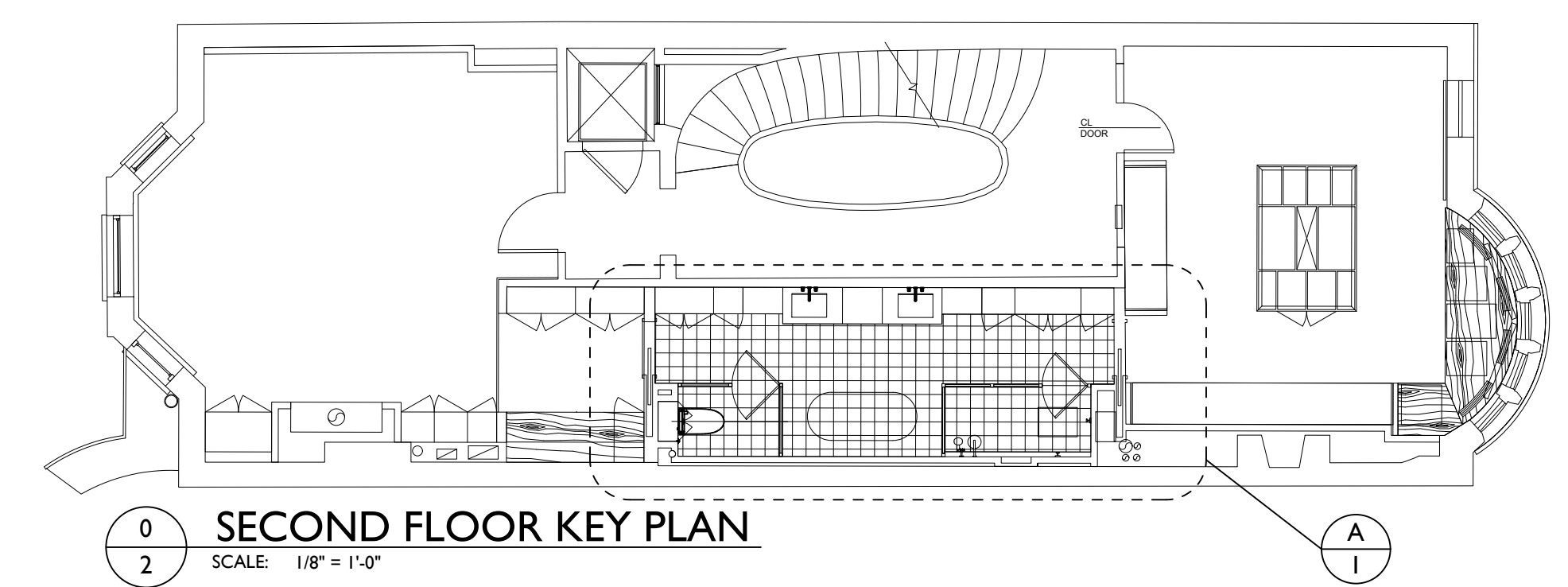
**3**  
2  
CABINETY SECTION  
SCALE: 1"=1'-0"



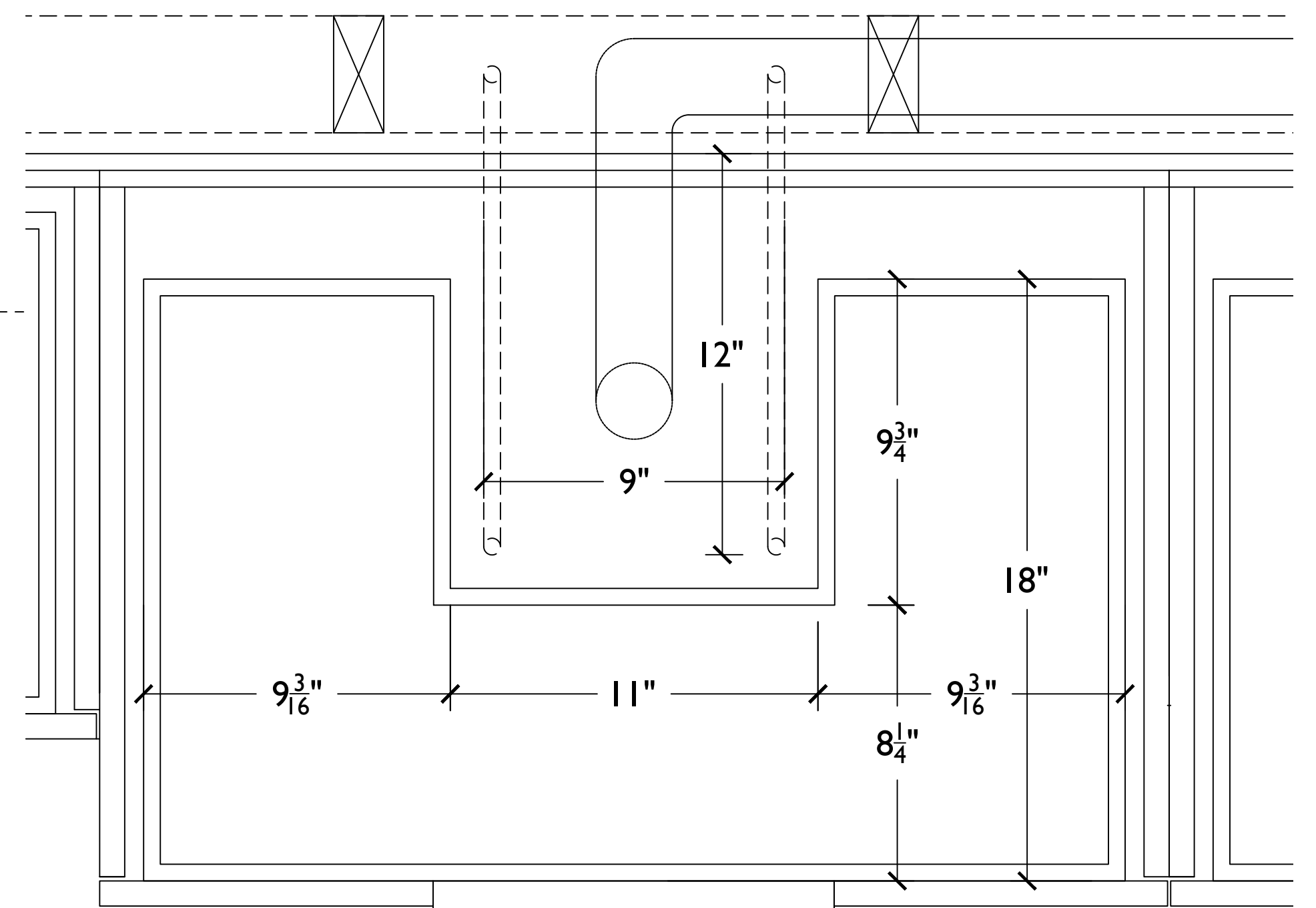
**4**  
2  
CABINETY SECTION  
SCALE: 1"=1'-0"



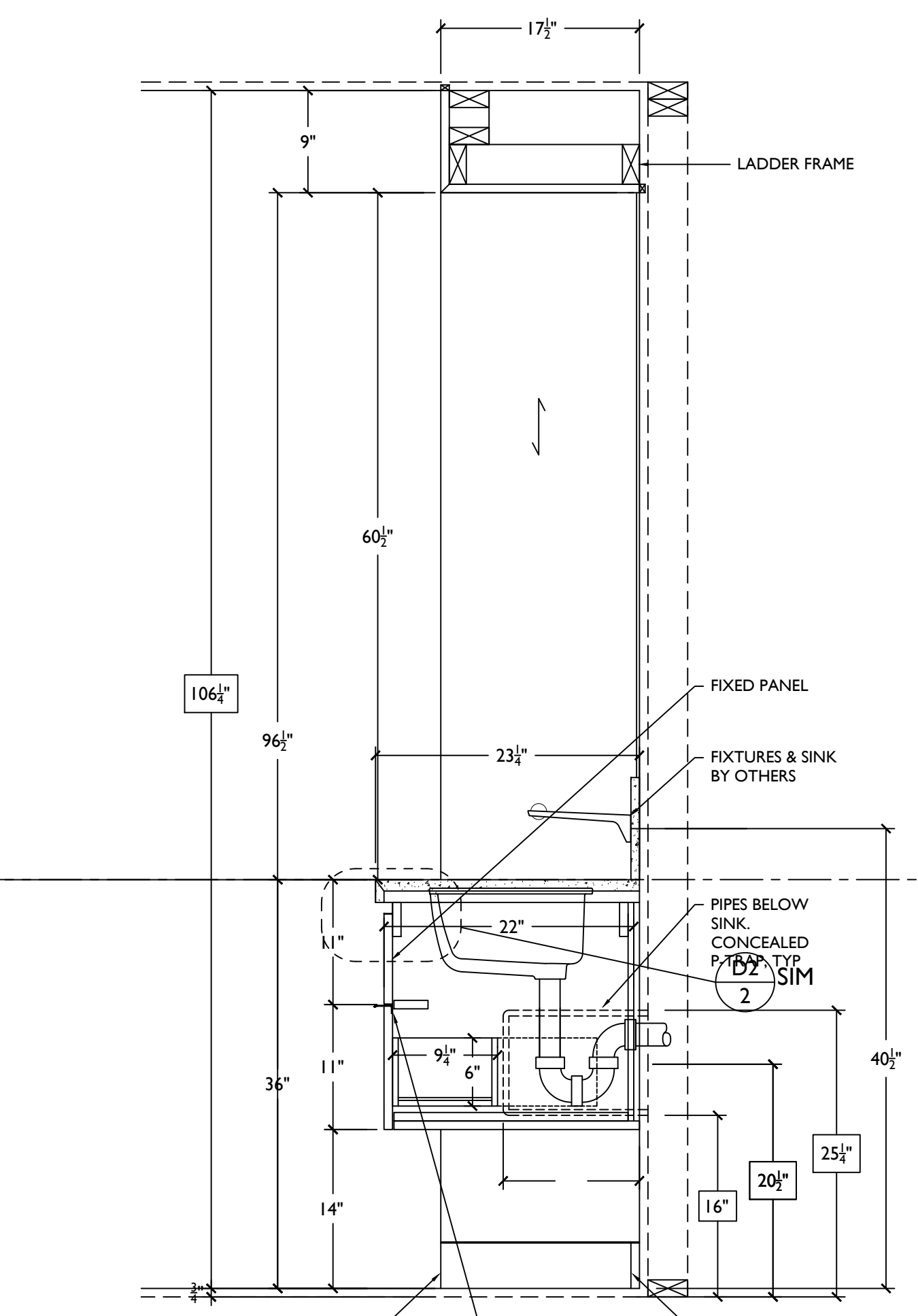
**5**  
2  
CABINETY SECTION  
SCALE: 1"=1'-0"



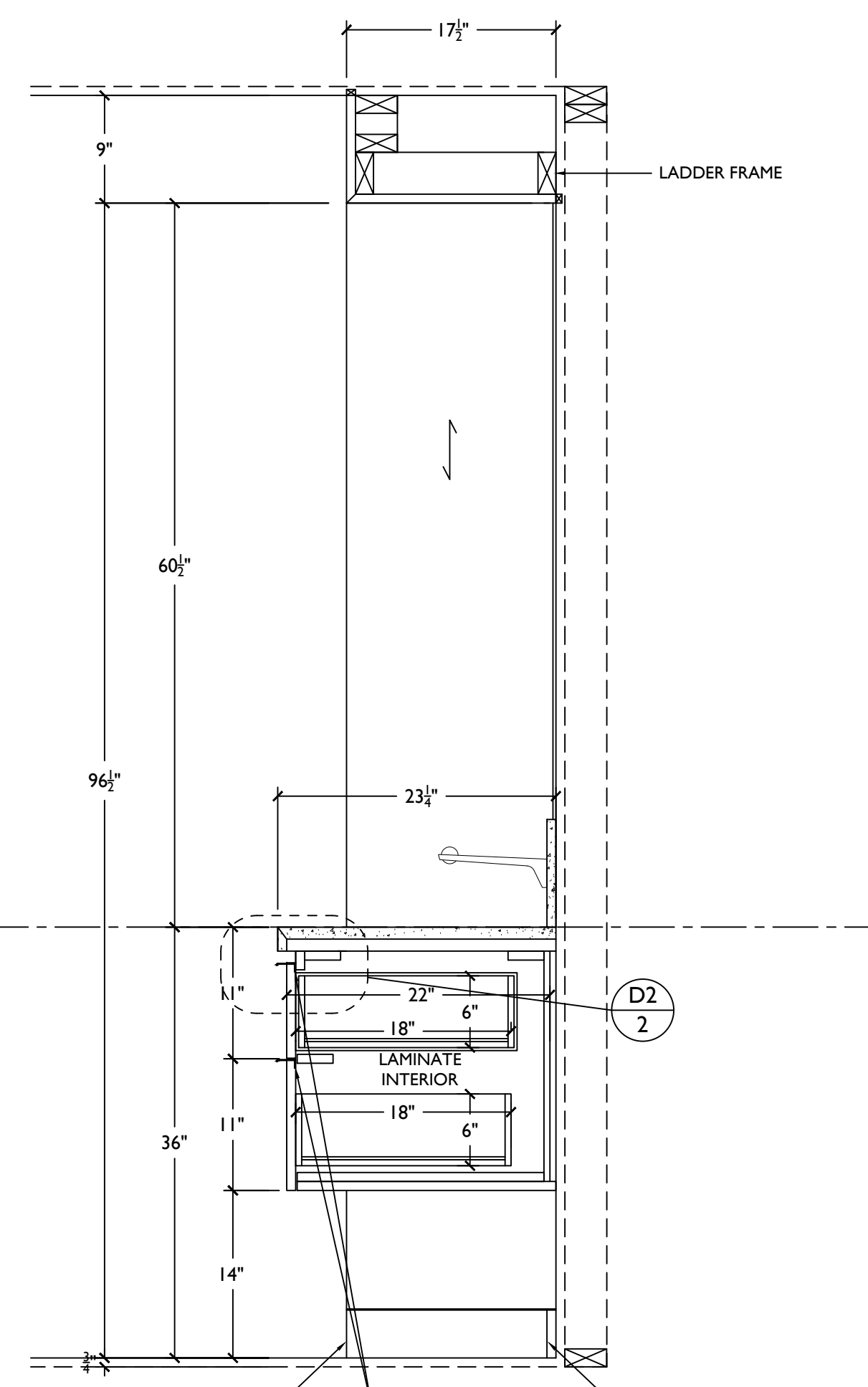
**0**  
2  
SECOND FLOOR KEY PLAN  
SCALE: 1/8"=1'-0"



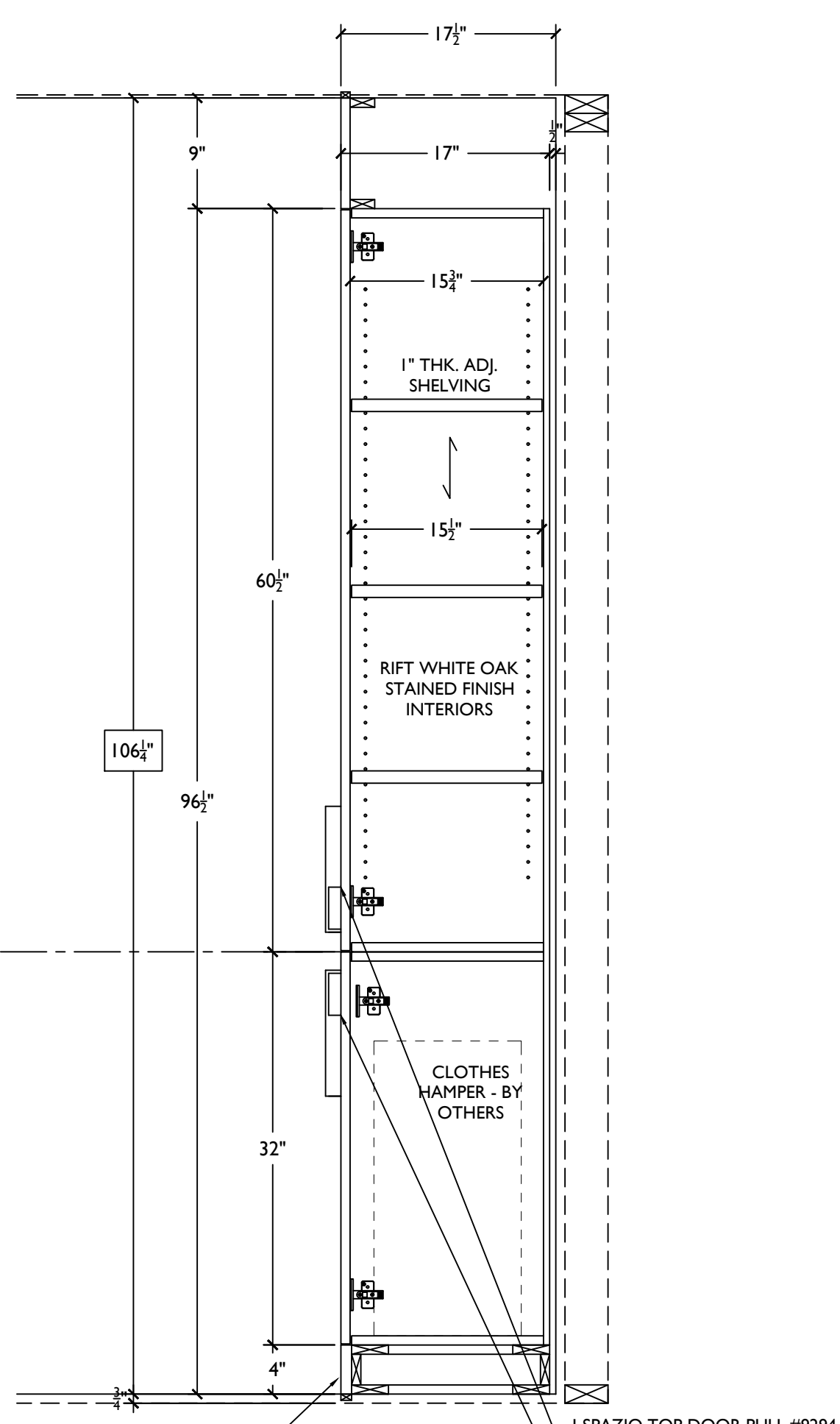
**D1**  
2  
SINK DRAWER DETAIL  
SCALE: 3"=1'-0"



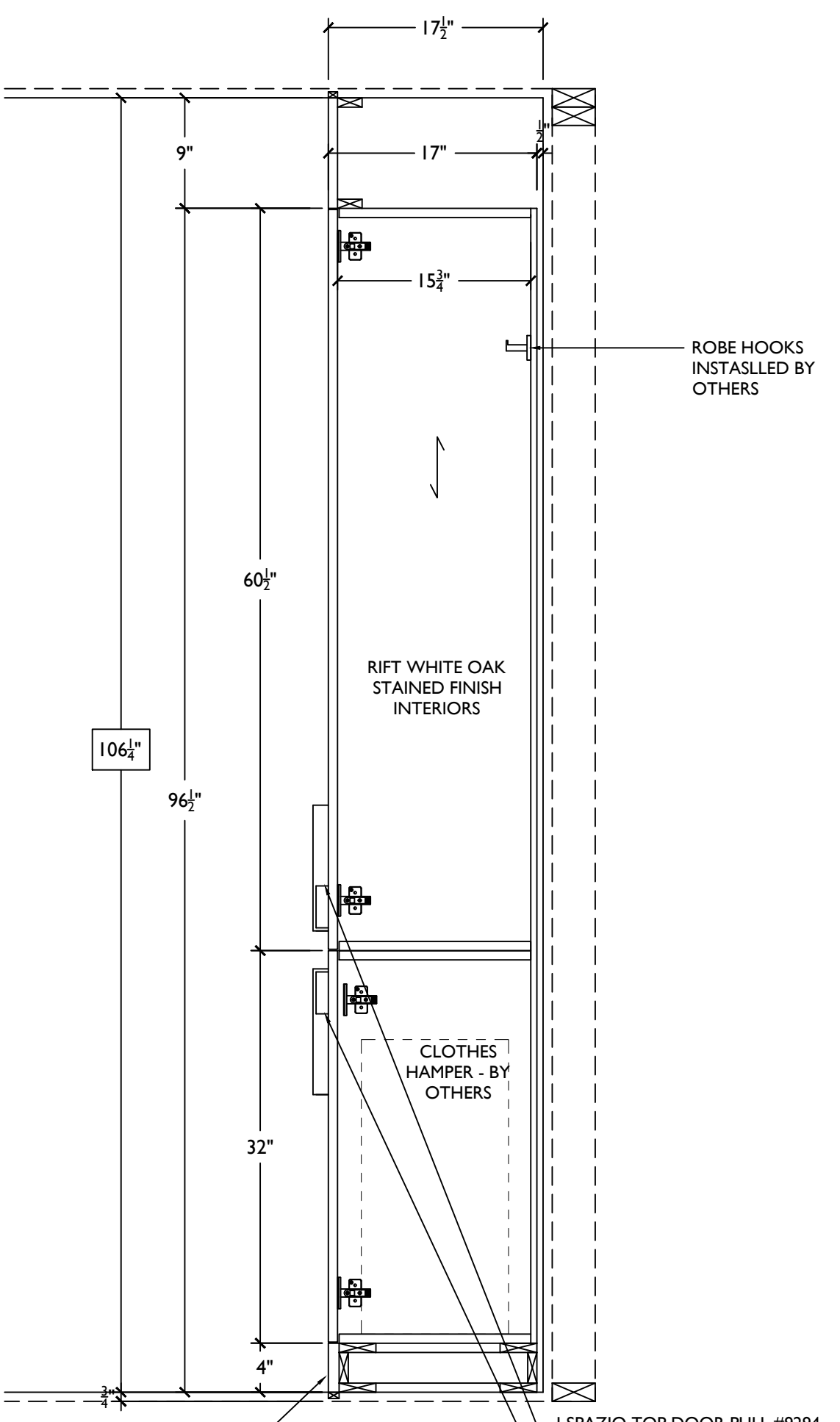
**6**  
2  
CABINETY SECTION  
SCALE: 1"=1'-0"



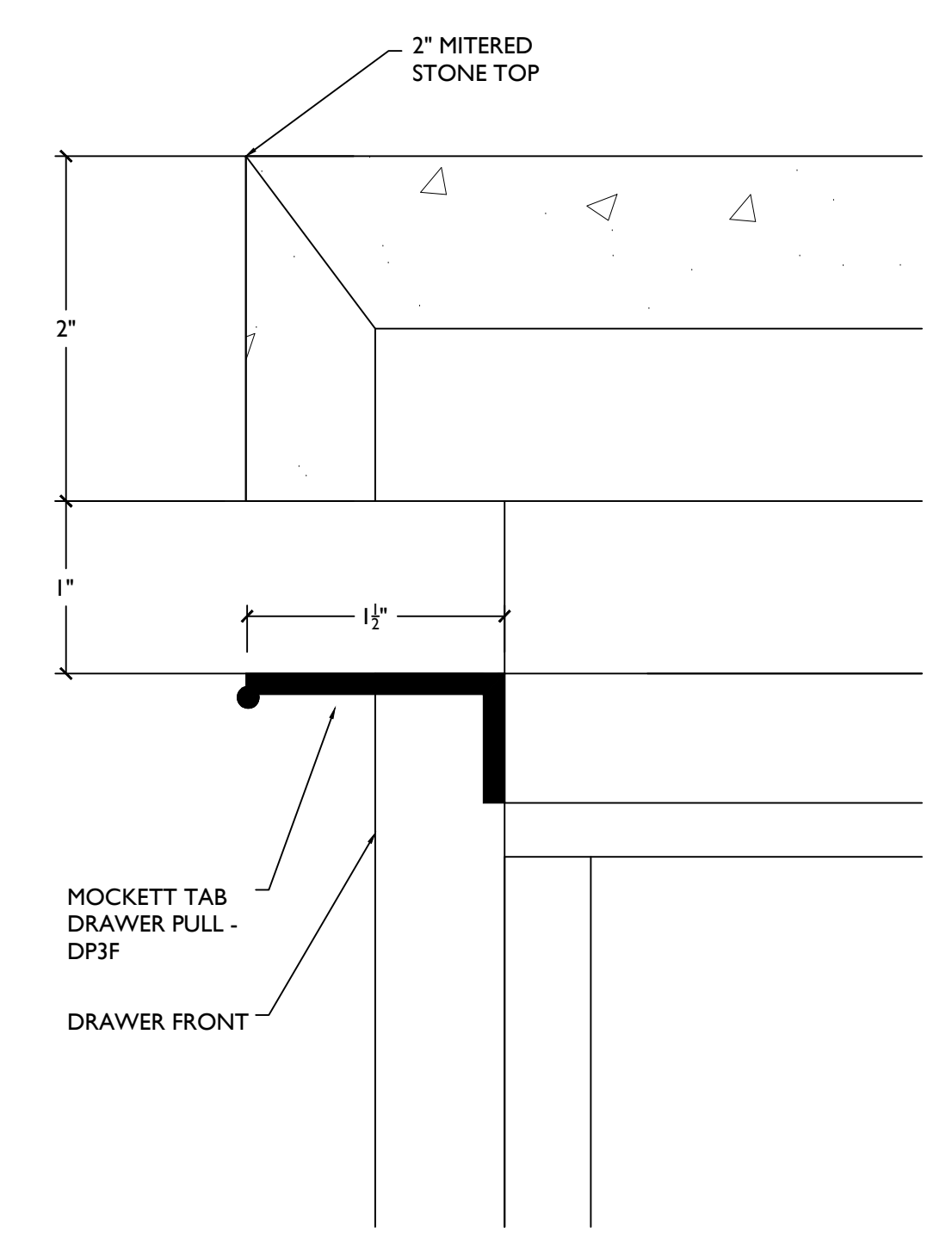
**7**  
2  
CABINETY SECTION  
SCALE: 1"=1'-0"



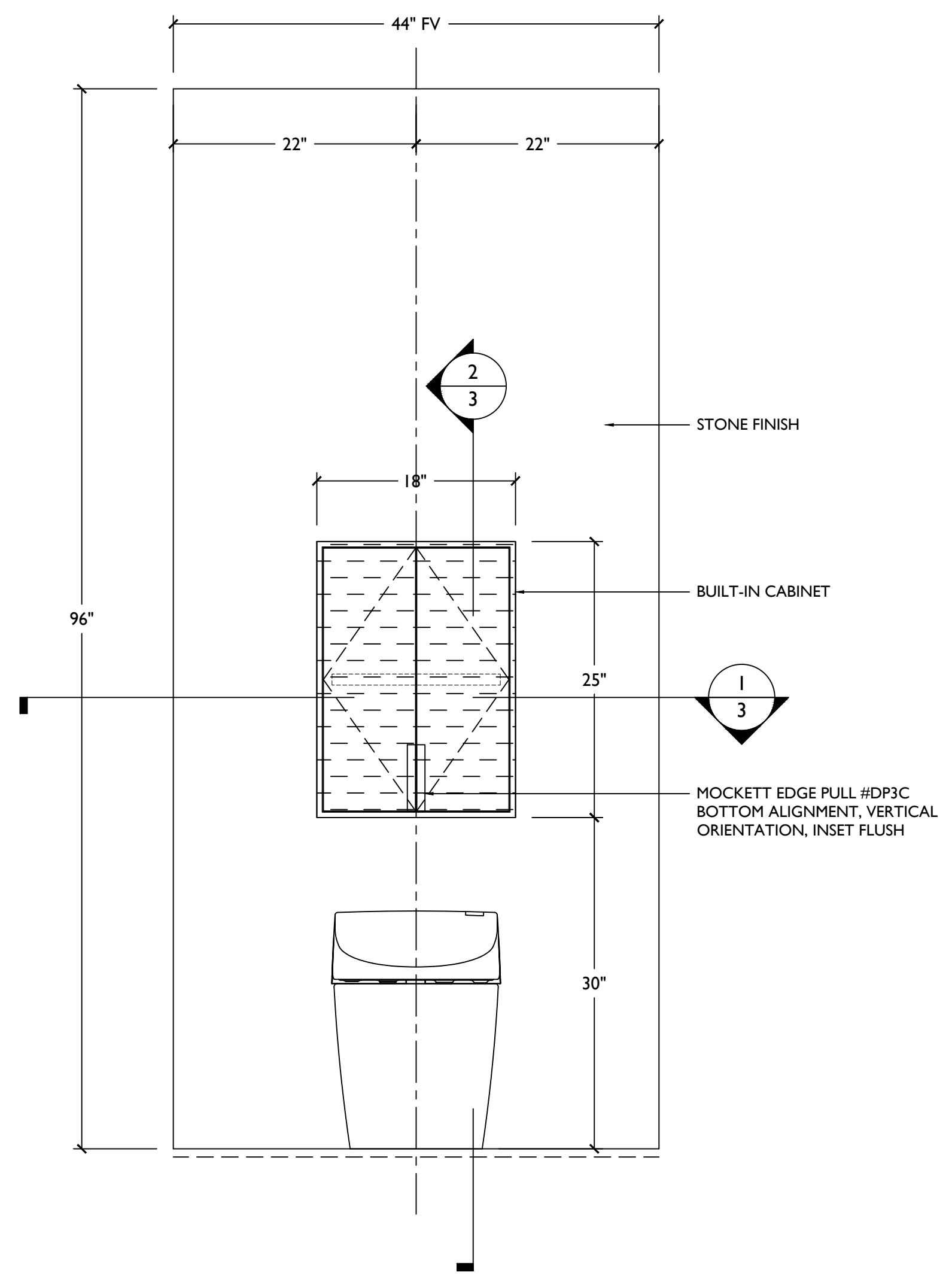
**8**  
2  
CABINETY SECTION  
SCALE: 1"=1'-0"



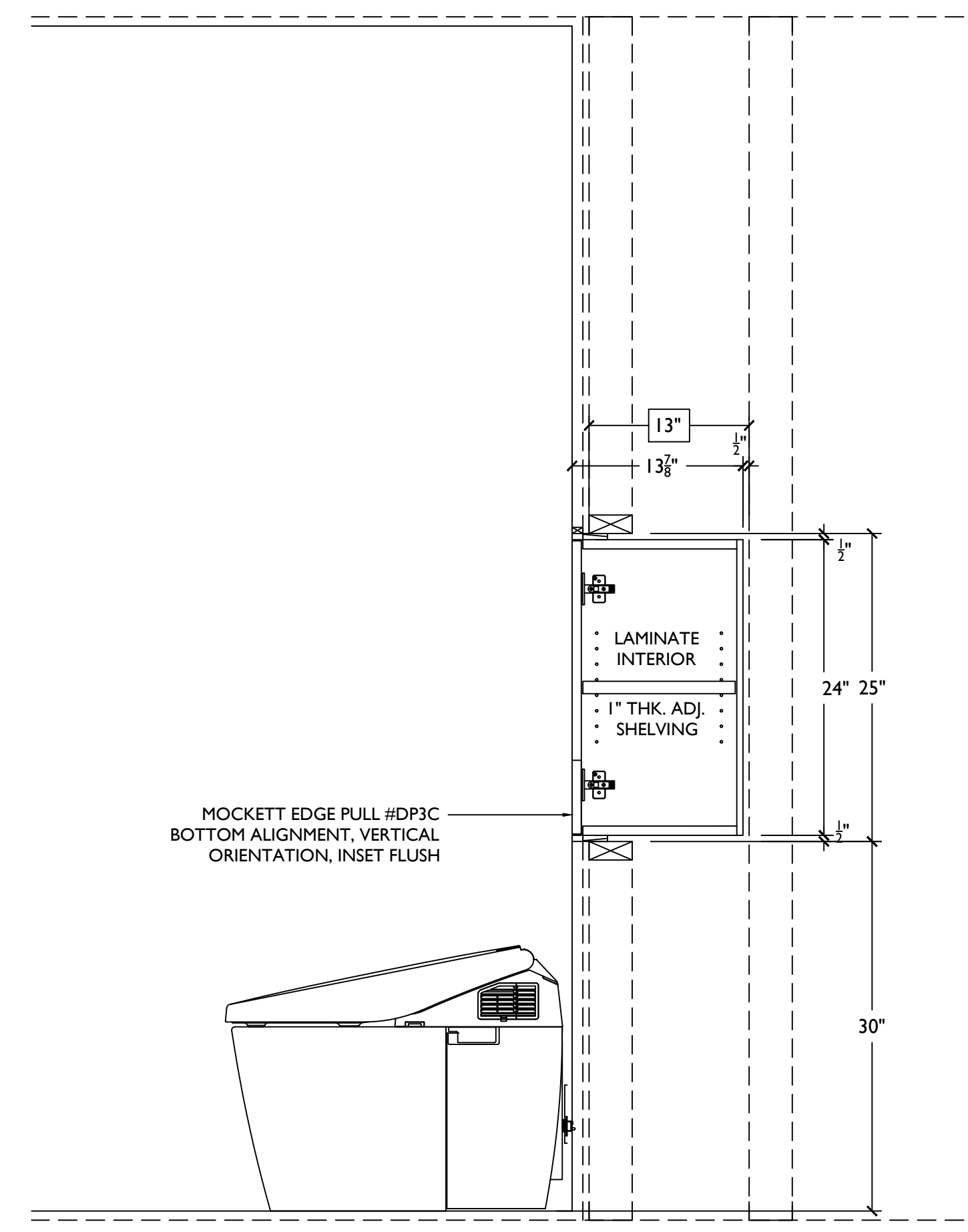
**9**  
2  
CABINETY SECTION  
SCALE: 1"=1'-0"



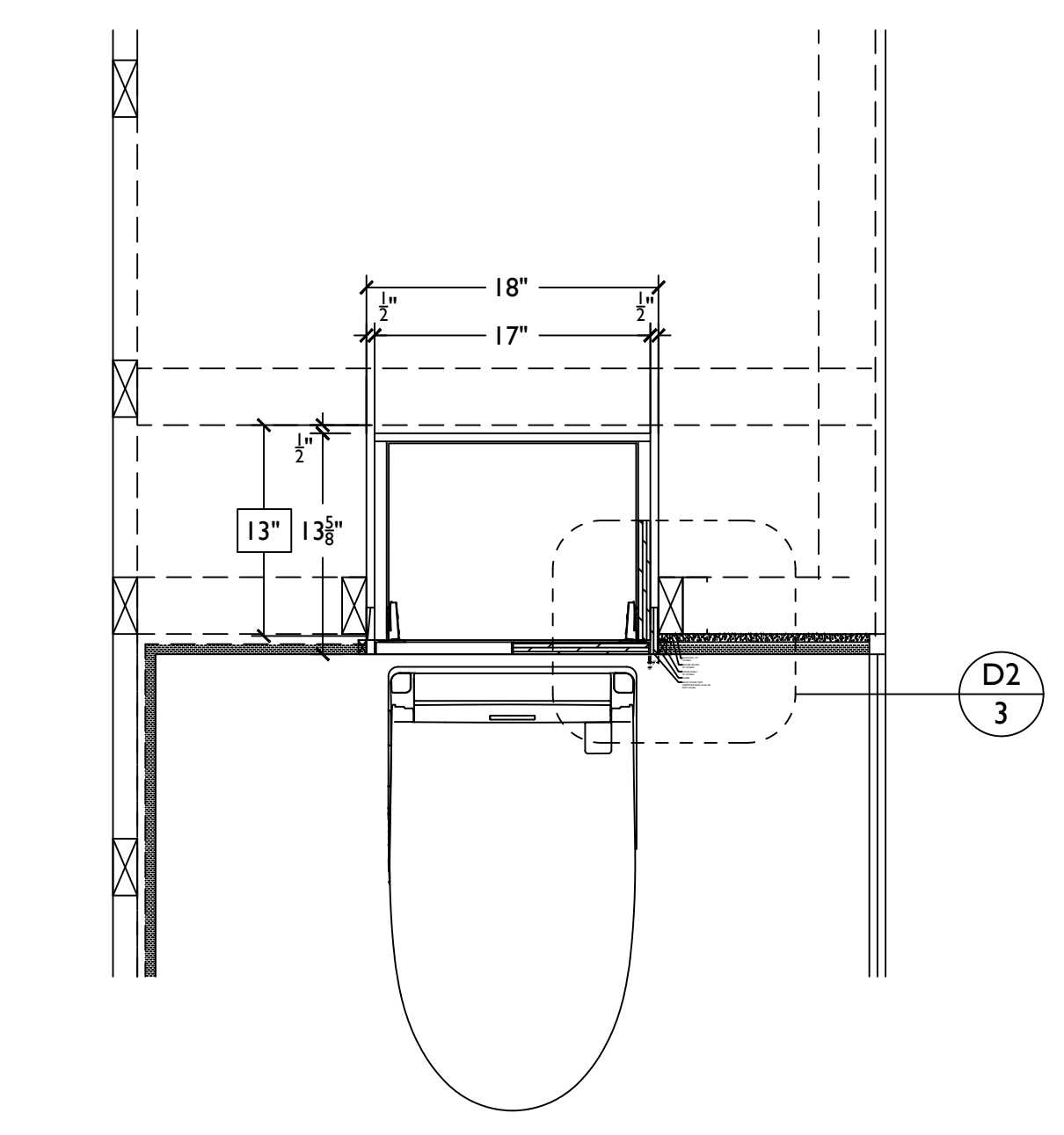
**D2**  
2  
VANITY SECTION DETAIL  
SCALE: 1:1



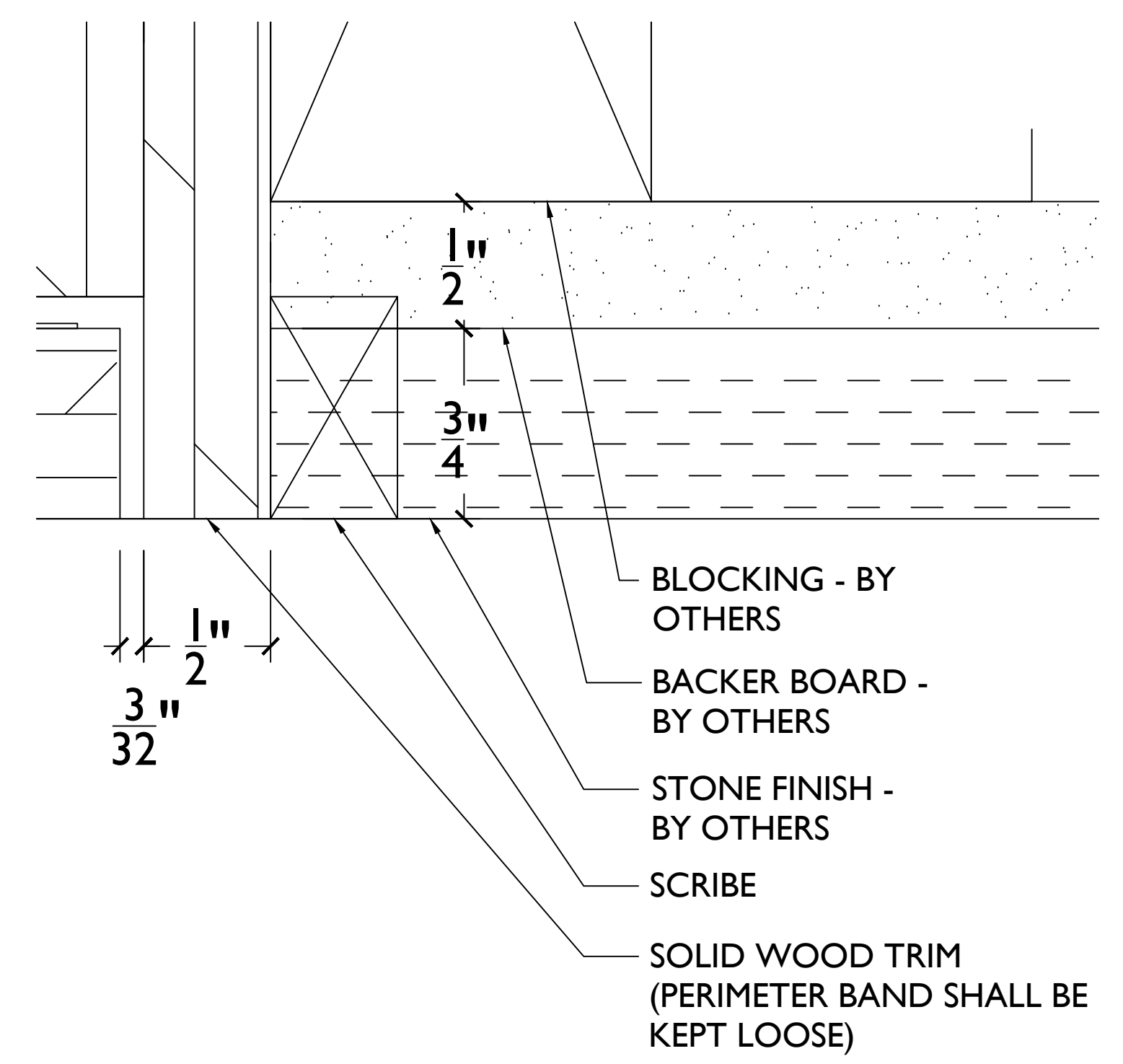
**ELEVATION**  
 SCALE: 1"=1'-0" ARCH REF: SK-3  
 FINISHES:  
 EXTERIOR: LAMINATE TBD  
 INTERIOR: LAMINATE TBD



**CABINERY SECTION**  
 SCALE: 1"=1'-0"



**PLAN SECTION**  
 SCALE: 1"=1'-0"



**EDGE DETAIL**  
 SCALE: 3"=1'-0"