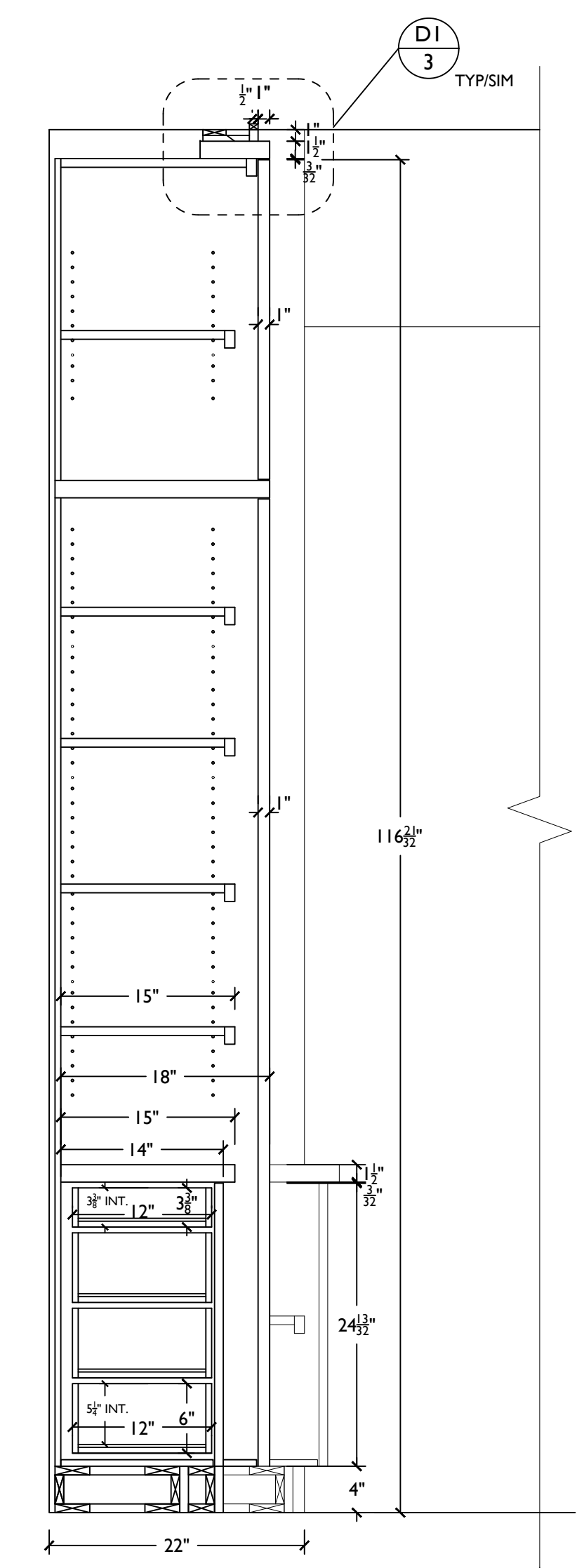
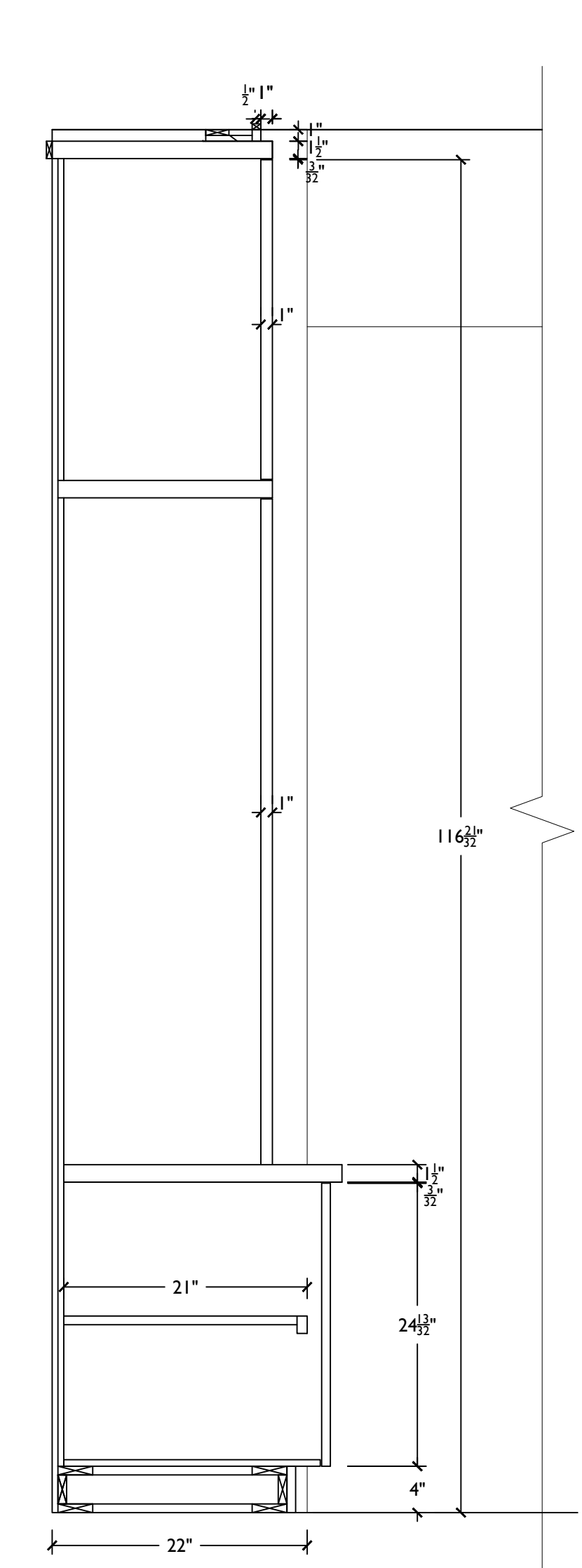


1
2
ELEVATION - MSTR BDR BUILT IN (EXTERIOR)
SCALE: 1"=1'-0"
ARCH REF: IA7.2

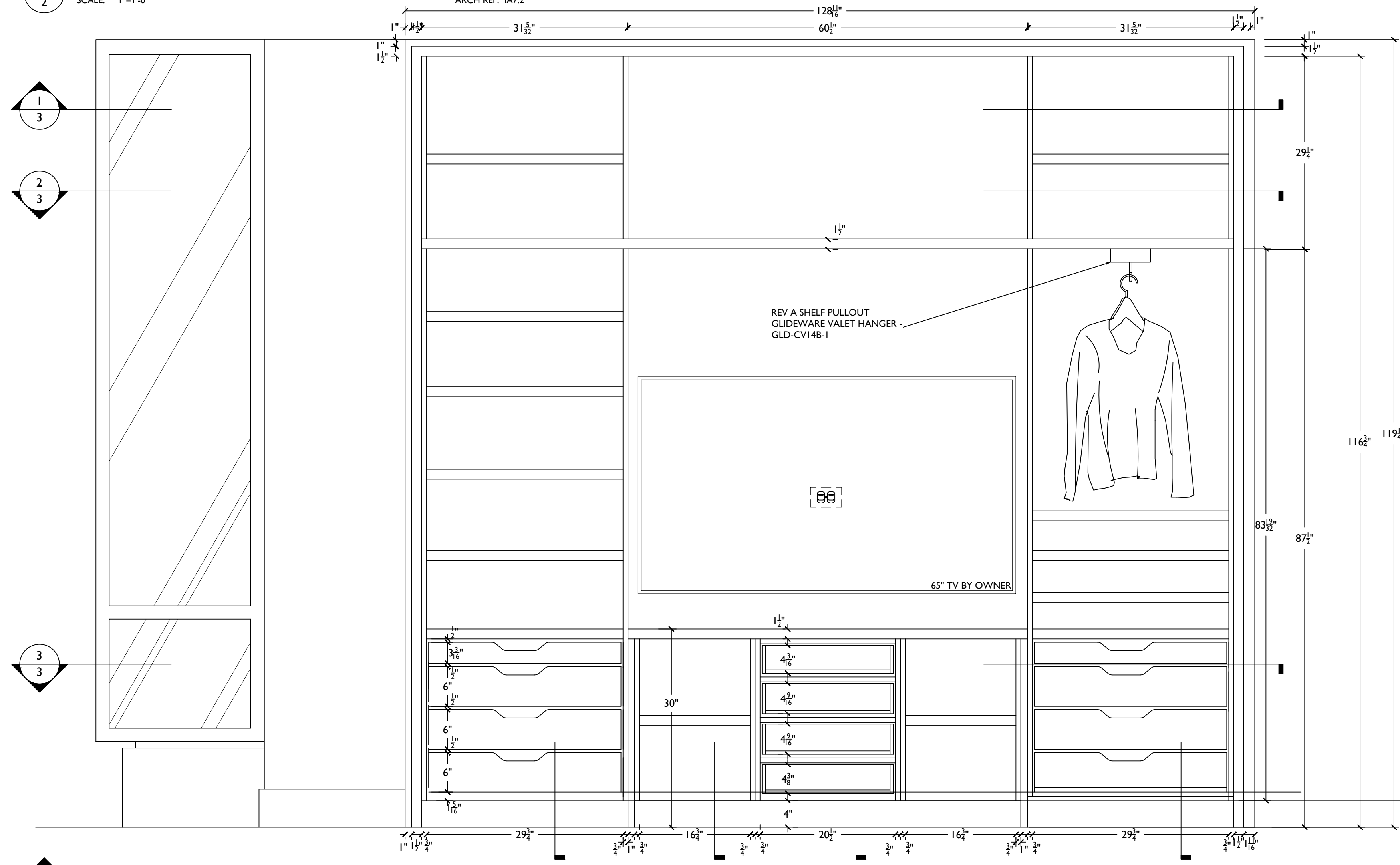
FINISHES:
EXTERIOR : SHOP PAINTED - INTERIOR : NATURAL MAPLE CLEAR FINISH



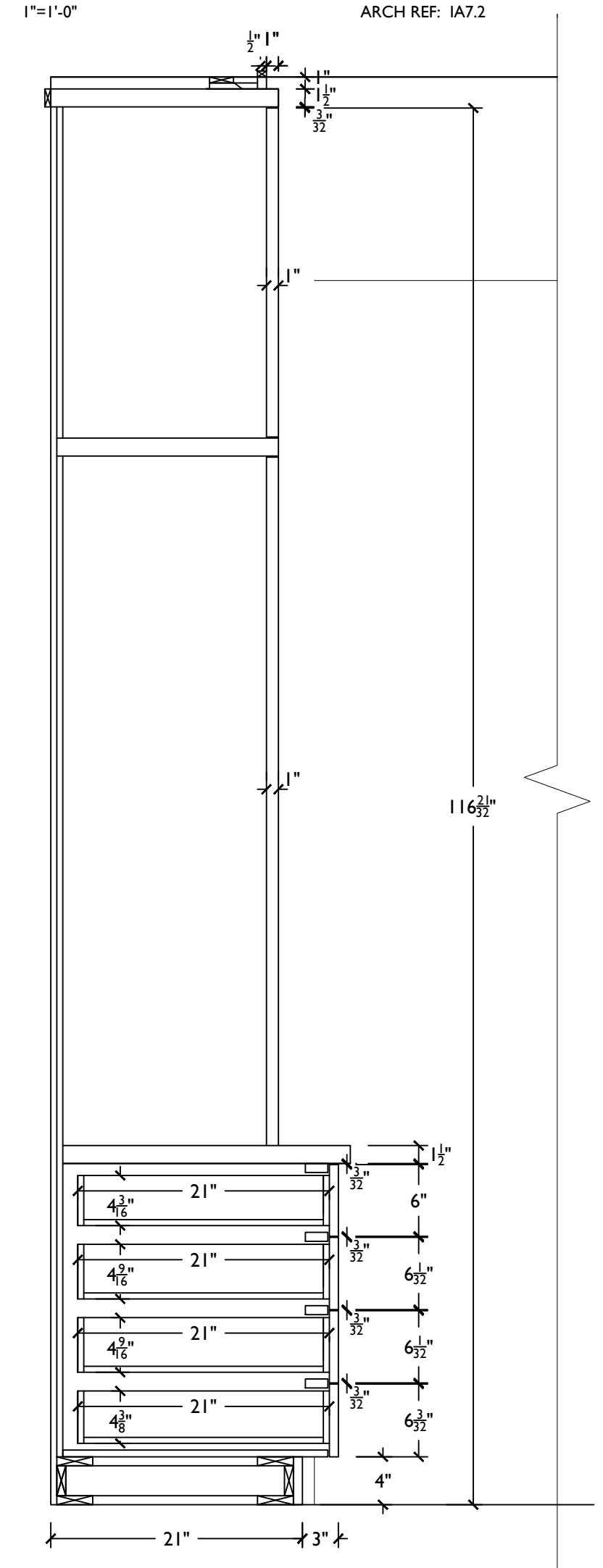
3
2
SECTION - MSTR BDR BUILT-IN
SCALE: 1"=1'-0"
ARCH REF: IA7.2



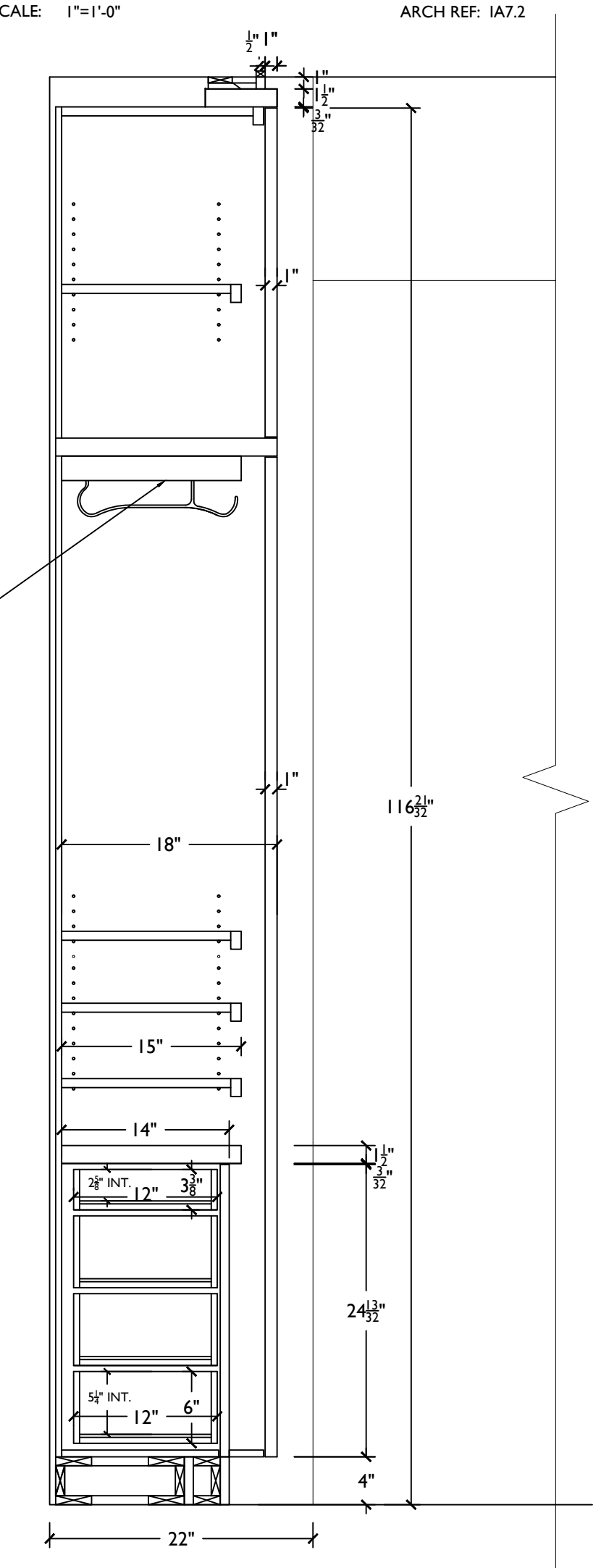
4
2
SECTION - MSTR BDR BUILT IN
SCALE: 1"=1'-0"
ARCH REF: IA7.2



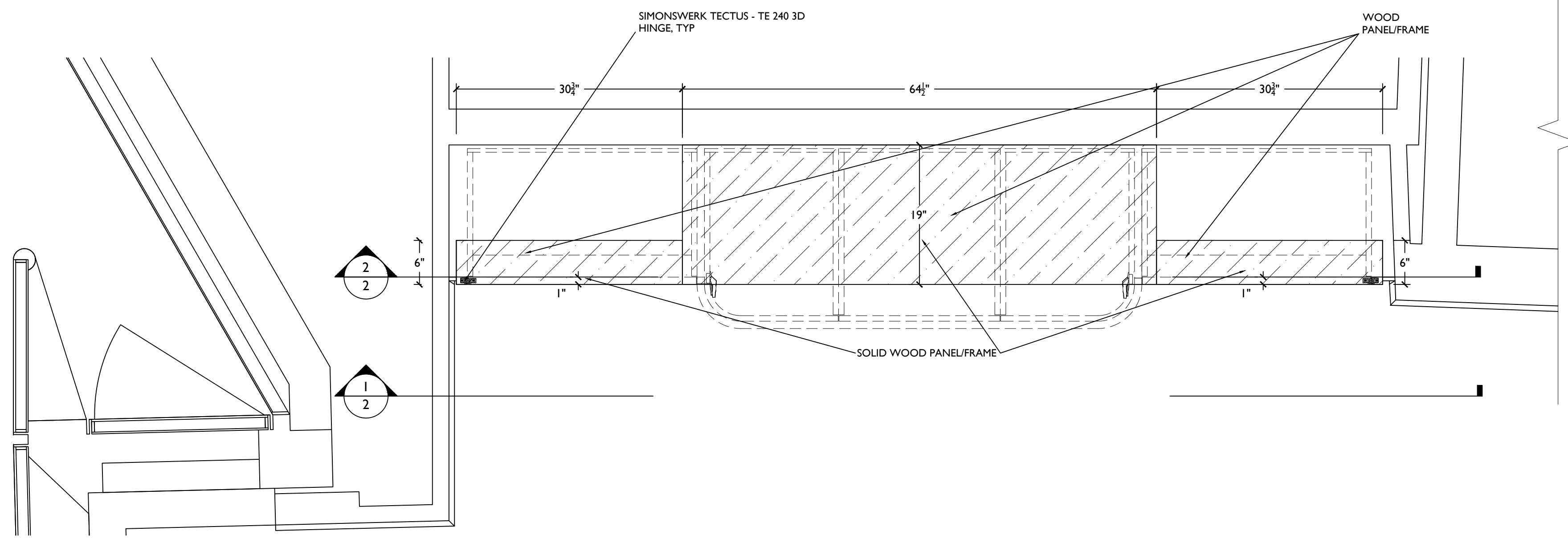
2
2
ELEVATION - MSTR BDR BUILT IN (INTERIOR)
SCALE: 1"=1'-0"
ARCH REF: IA7.2



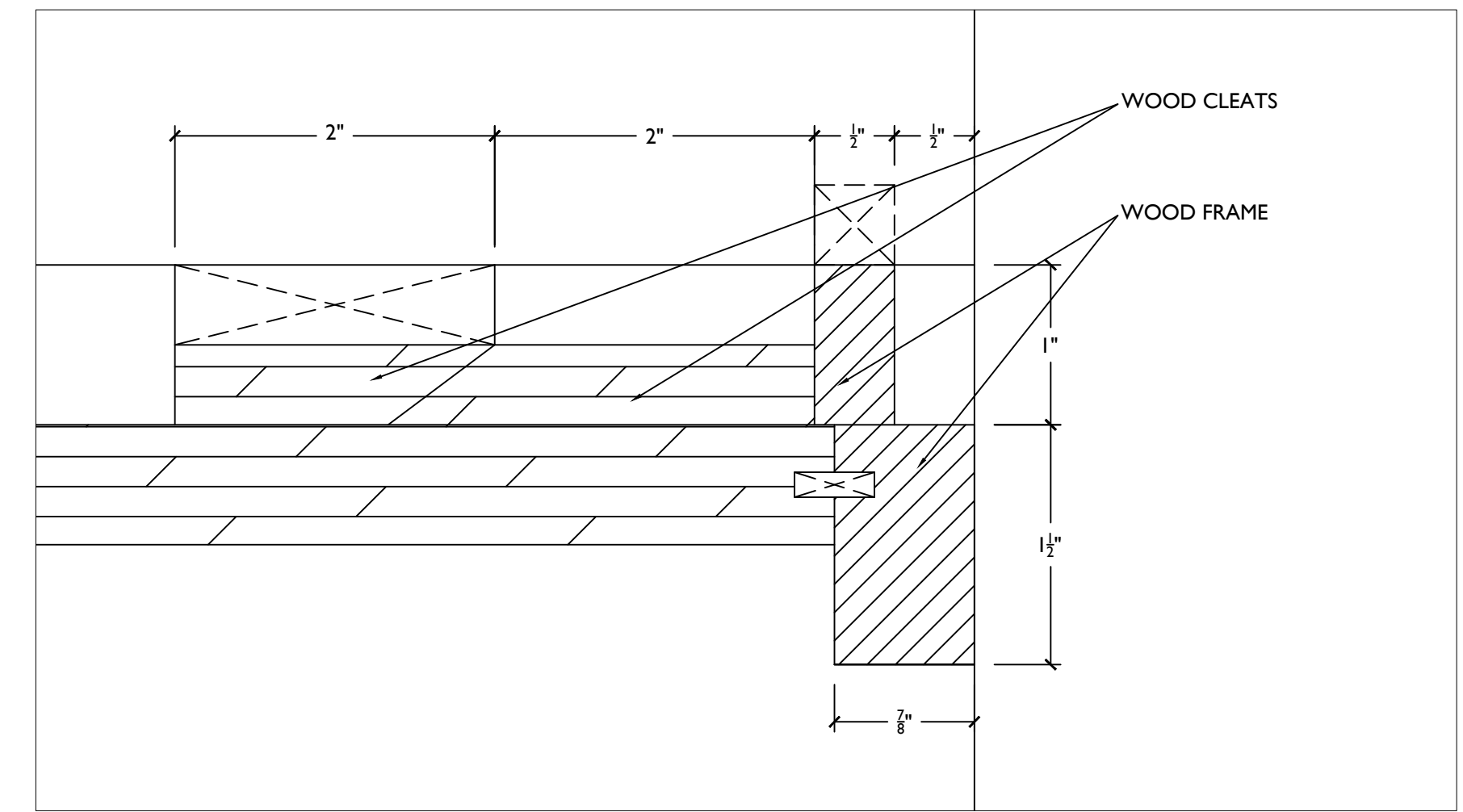
5
2
SECTION - MSTR BDR BUILT-IN
SCALE: 1"=1'-0"
ARCH REF: IA7.2



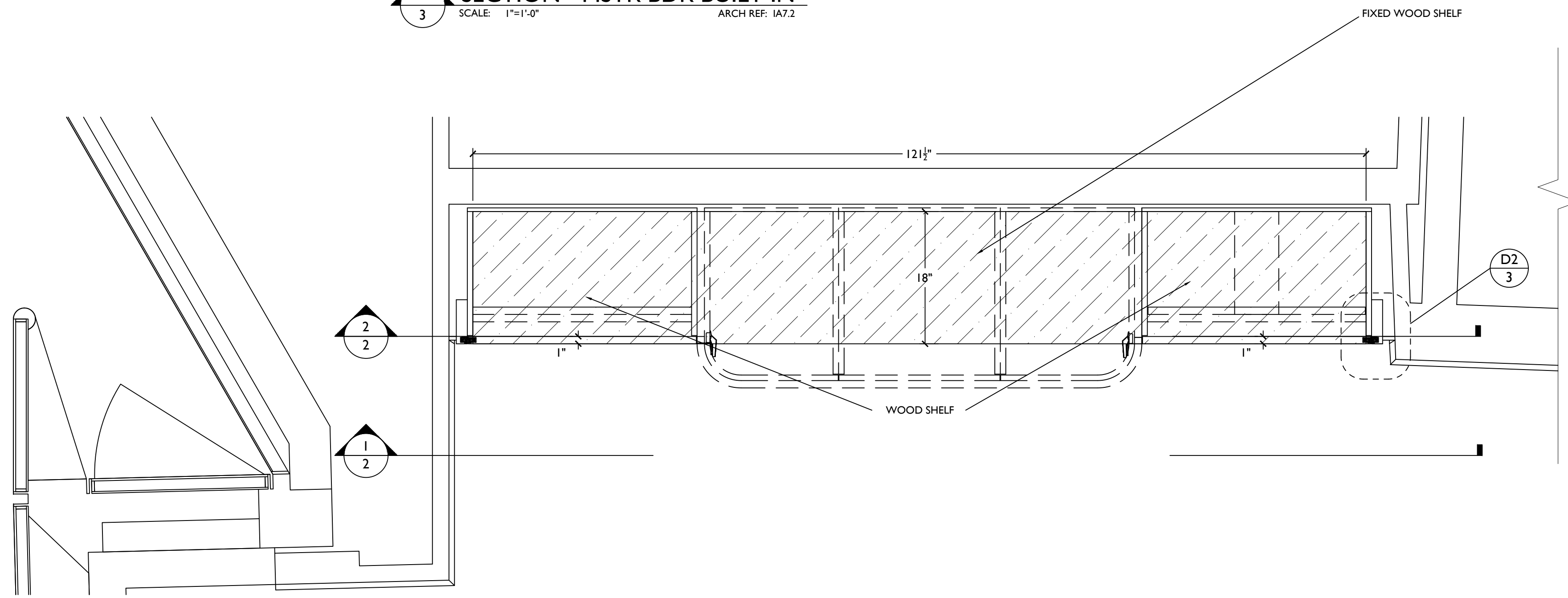
6
2
SECTION - MSTR BDR BUILT IN
SCALE: 1"=1'-0"
ARCH REF: IA7.2



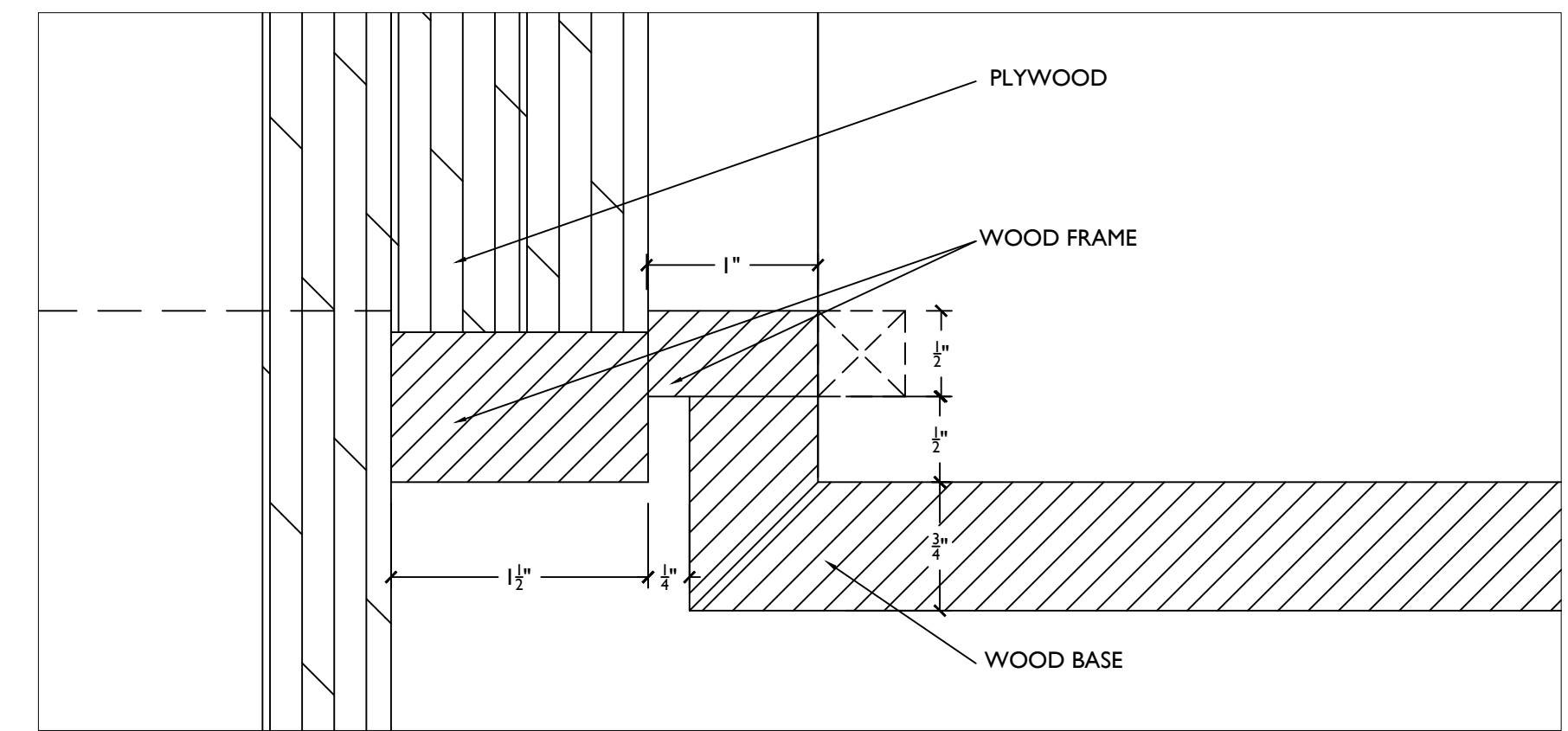
SECTION - MSTR BDR BUILT IN
 SCALE: 1"=1'-0" ARCH REF: IA7.2



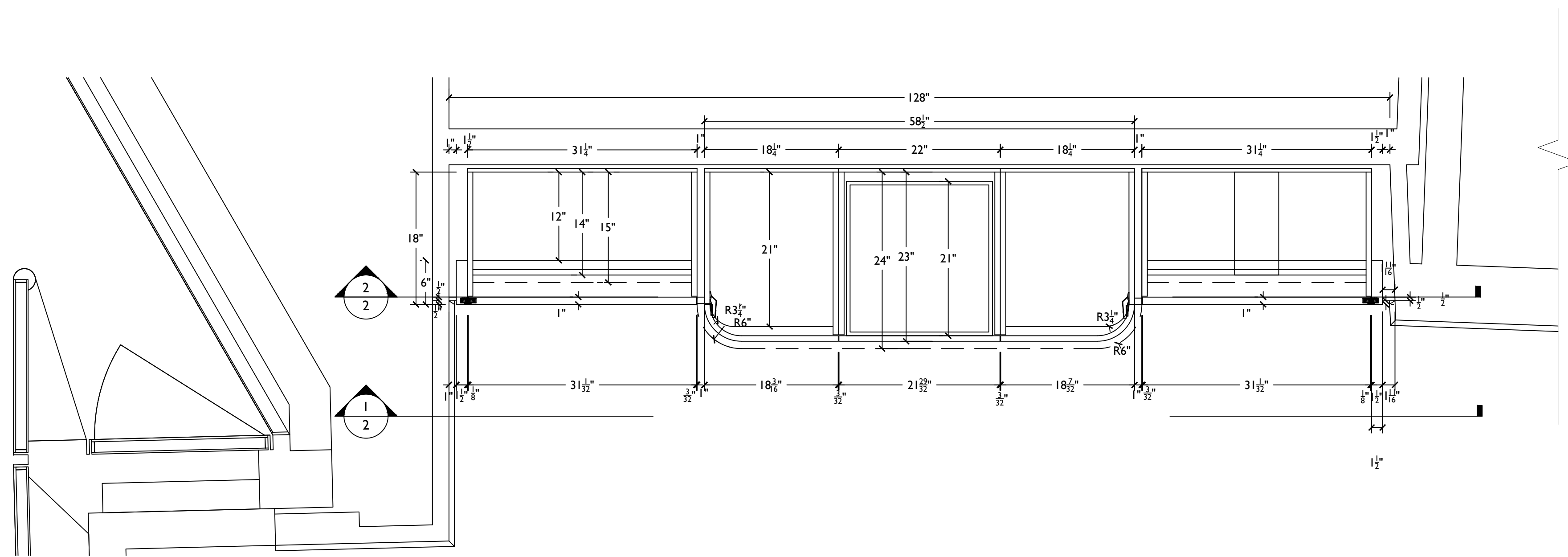
D1 TYP. FRAME DETAIL/REVEAL @ UNDERSIDE OF SOFFIT
 SCALE: FULL SIZE



SECTION - MSTR BDR BUILT IN
 SCALE: 1"=1'-0" ARCH REF: IA7.2



D2 TYP. FRAME DETAIL/REVEAL @ BASE TRANSITION
 SCALE: FULL SIZE



SECTION - MSTR BDR BUILT IN
 SCALE: 1"=1'-0" ARCH REF: IA7.2