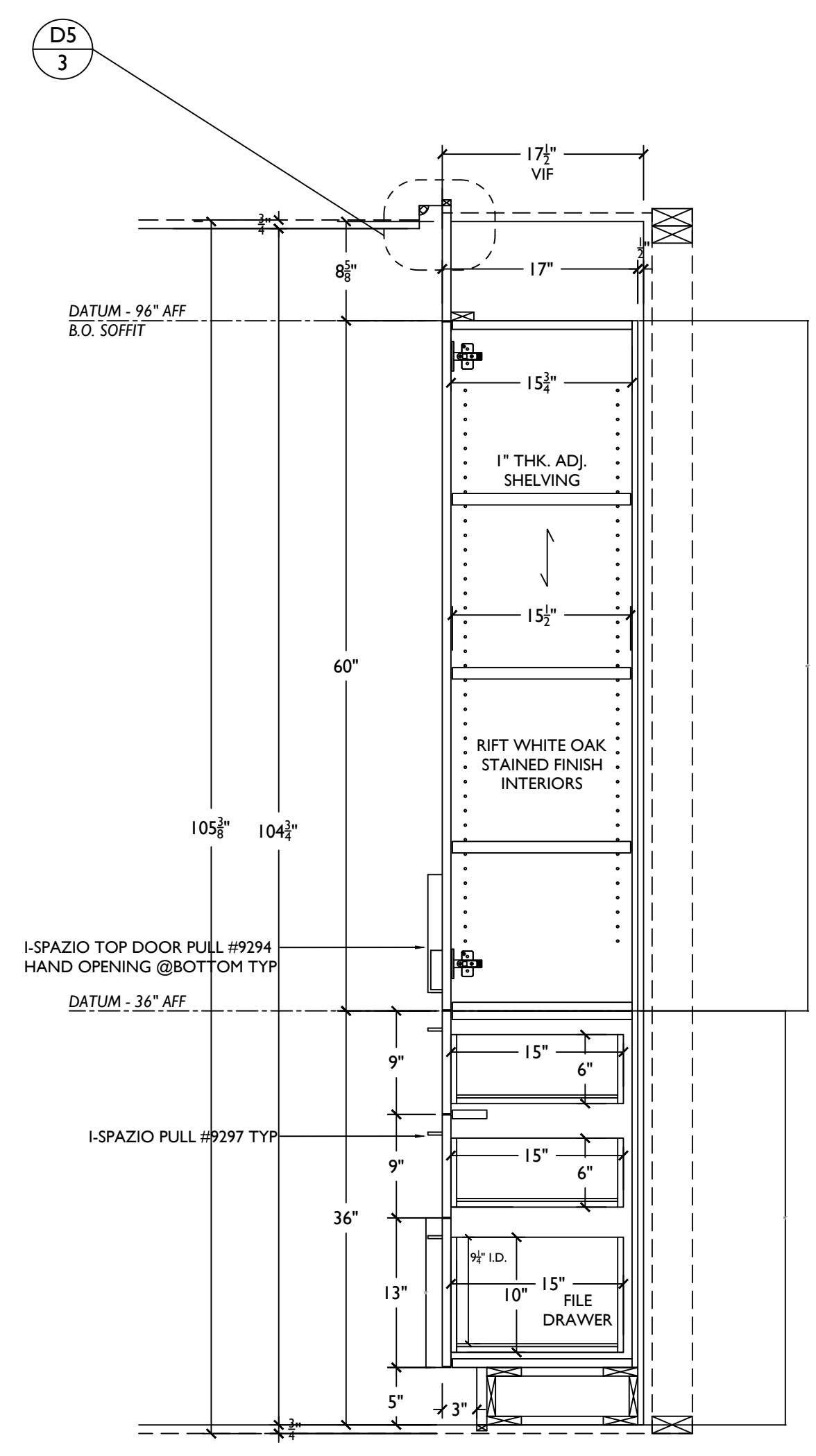
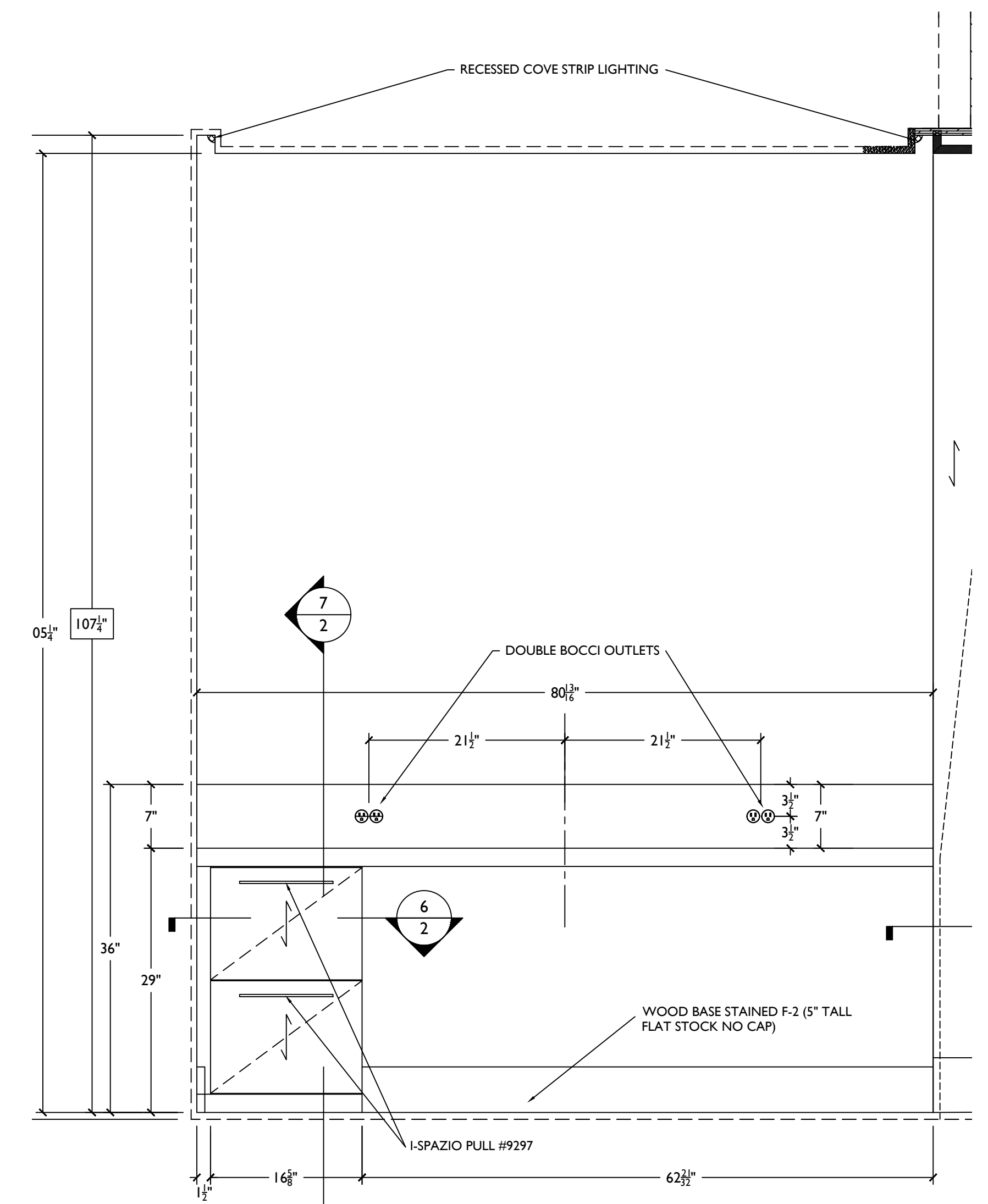


TALL CABINET ELEVATION
SCALE: 1"=1'-0"

FINISHES:
EXTERIOR: STAINED RIFT OAK
INTERIOR: STAINED RIFT OAK

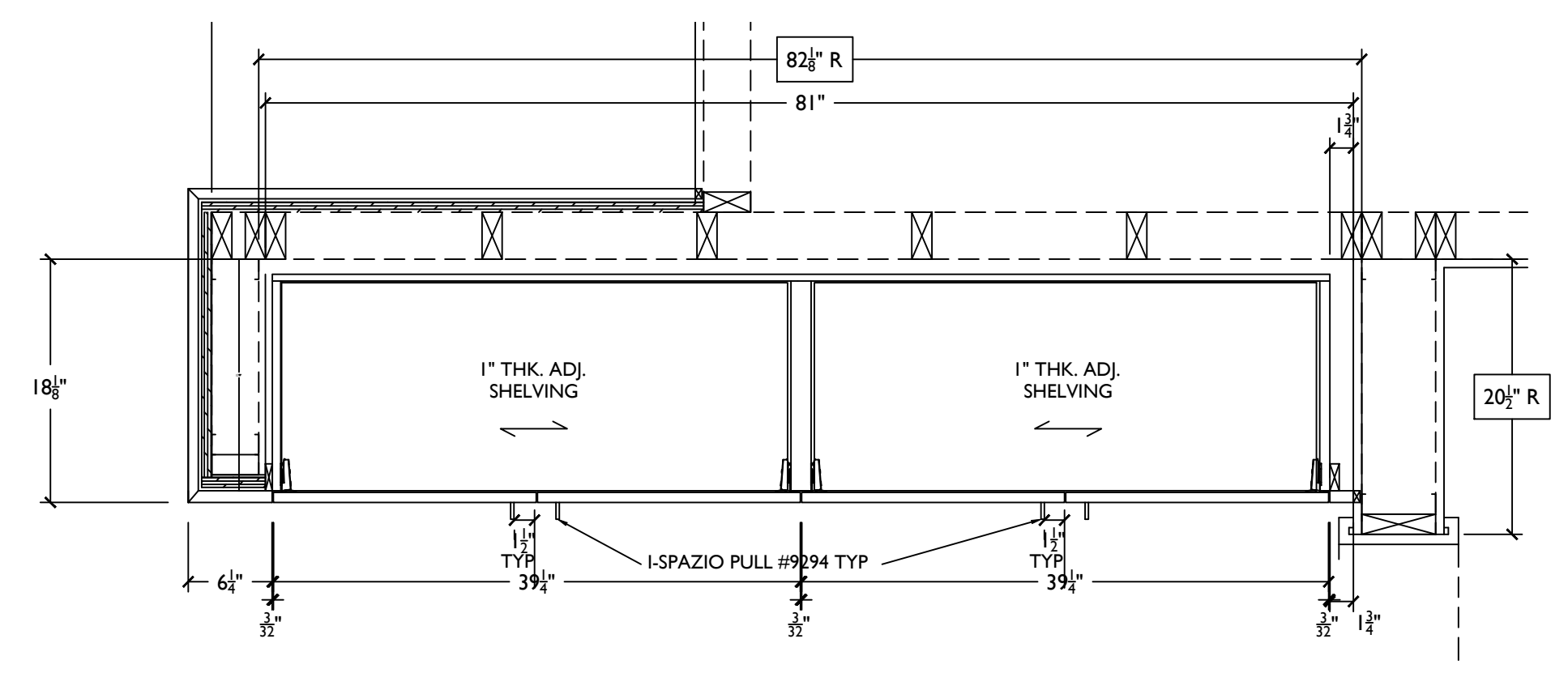


CABINERY SECTION
SCALE: 1"=1'-0"

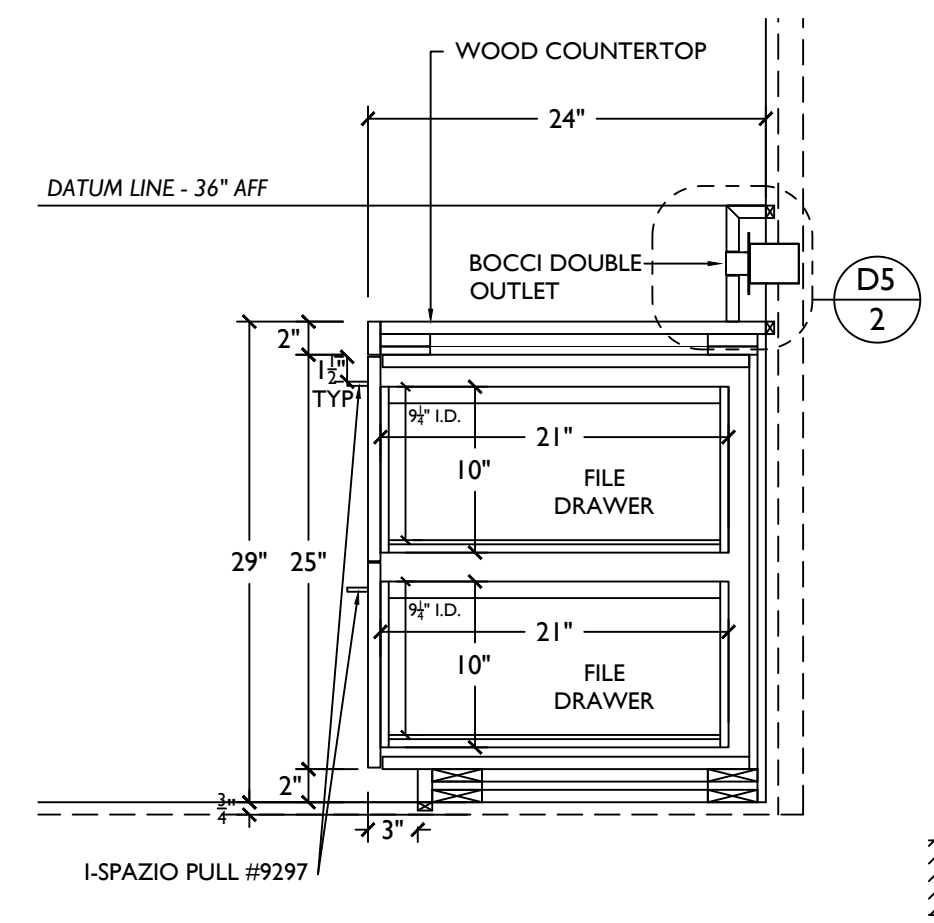


DESK ELEVATION
SCALE: 1"=1'-0"

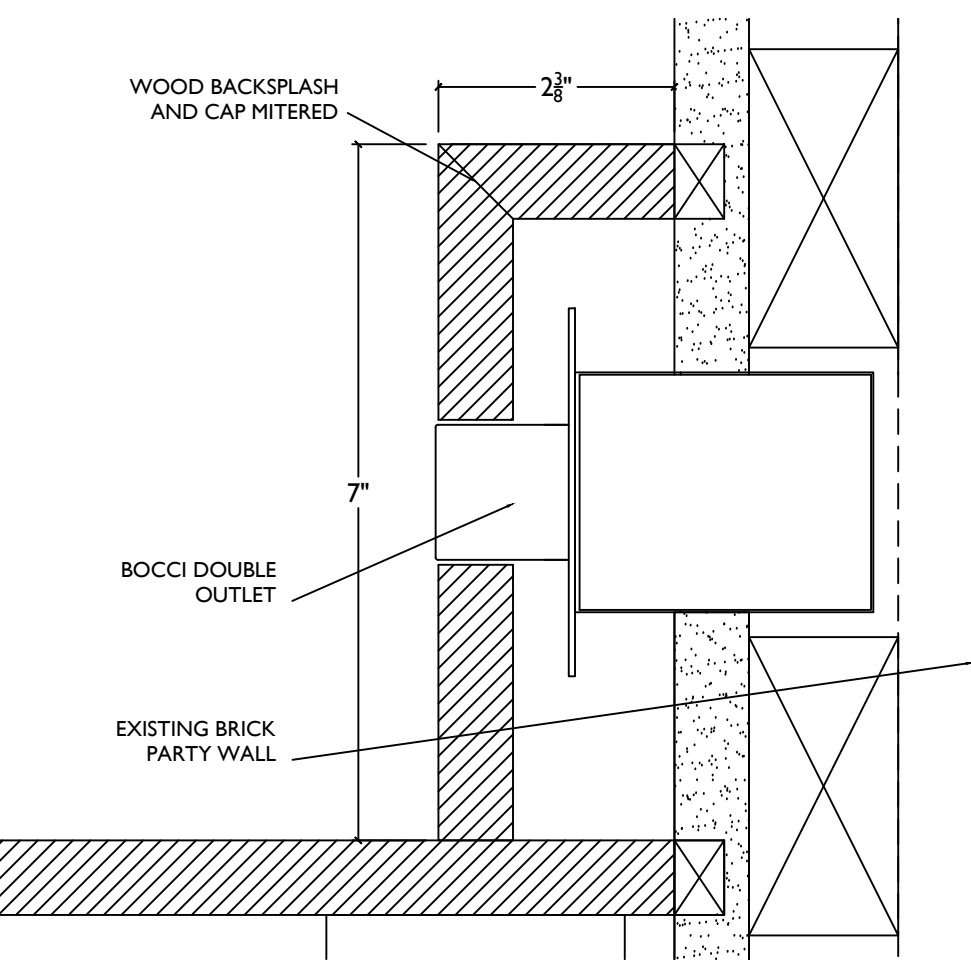
FINISHES:
EXTERIOR: STAINED RIFT OAK
INTERIOR: STAINED RIFT OAK



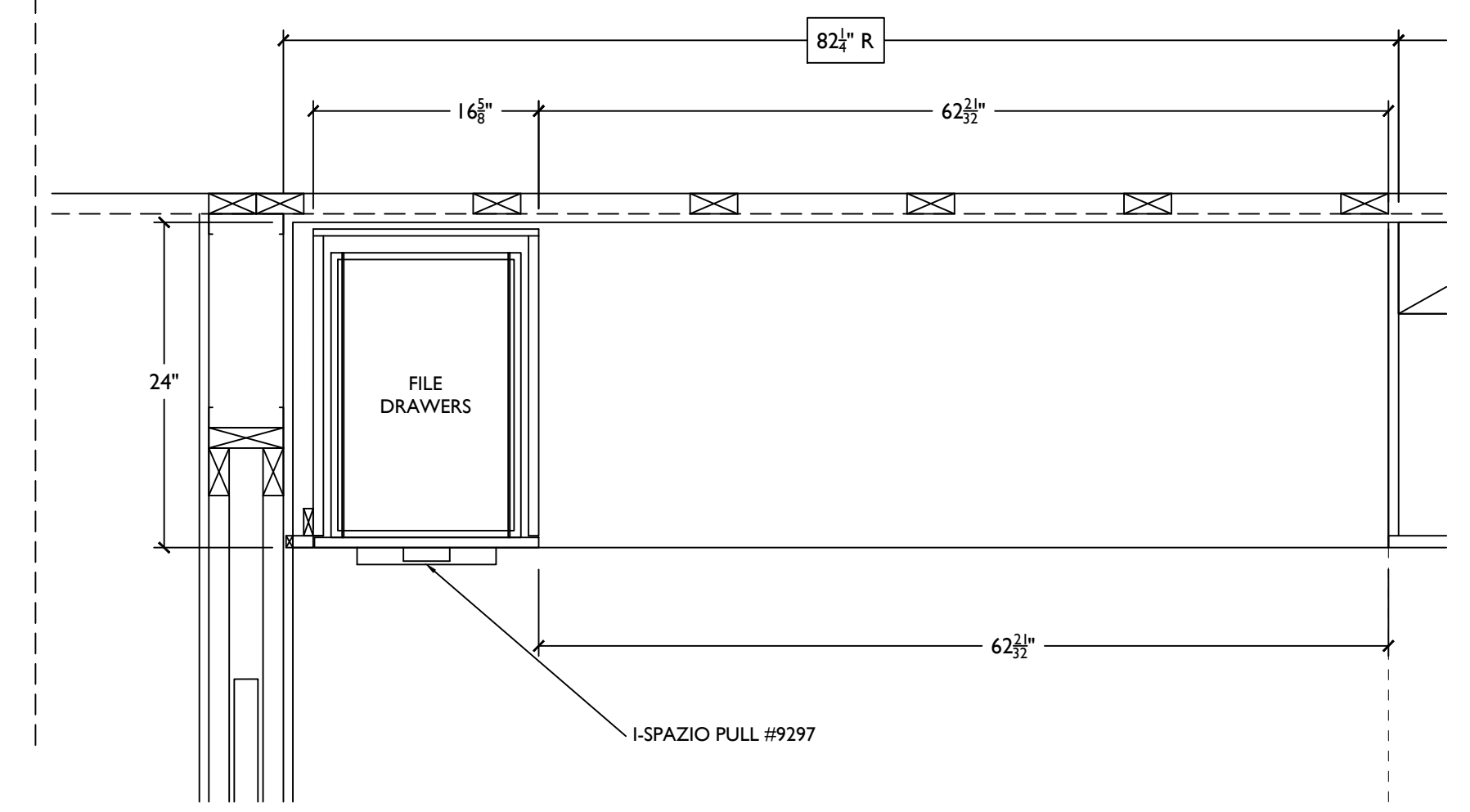
PLAN SECTION
SCALE: 1"=1'-0"



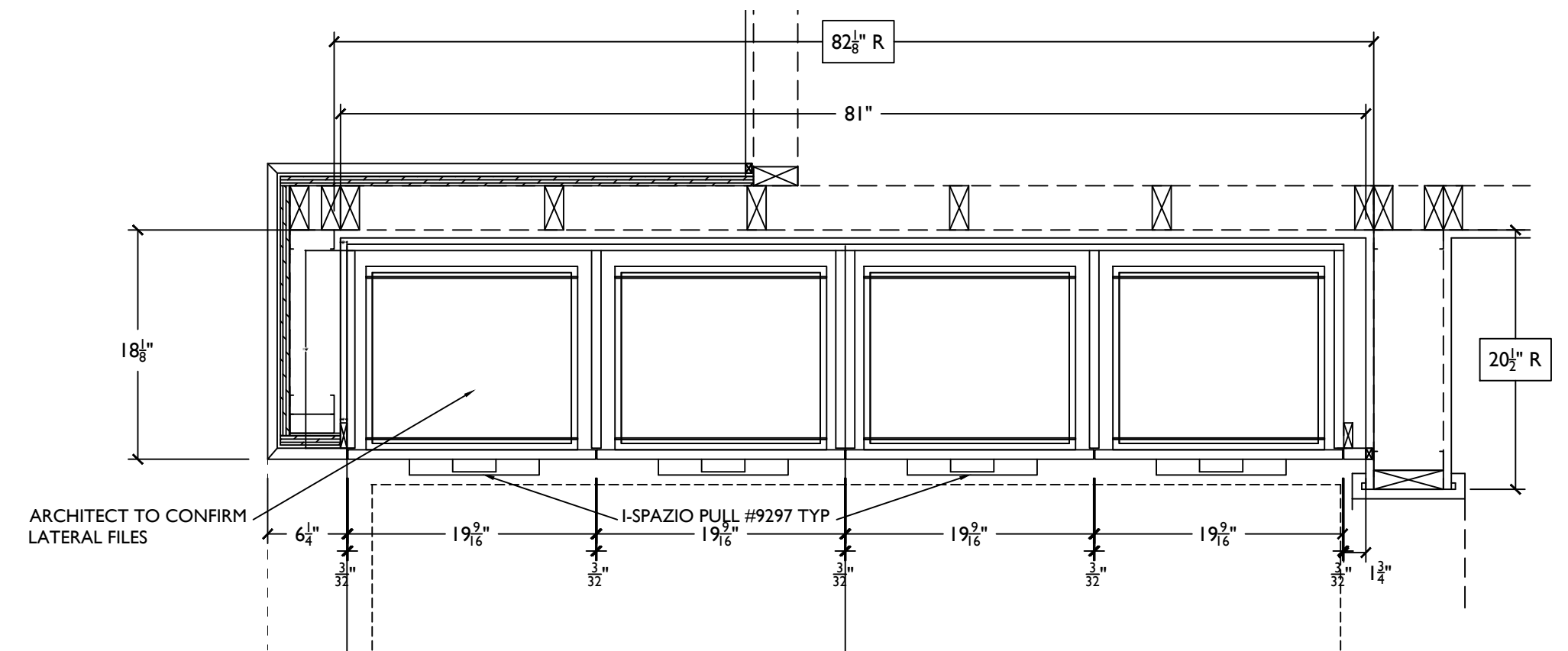
DESK SECTION
SCALE: 1"=1'-0"



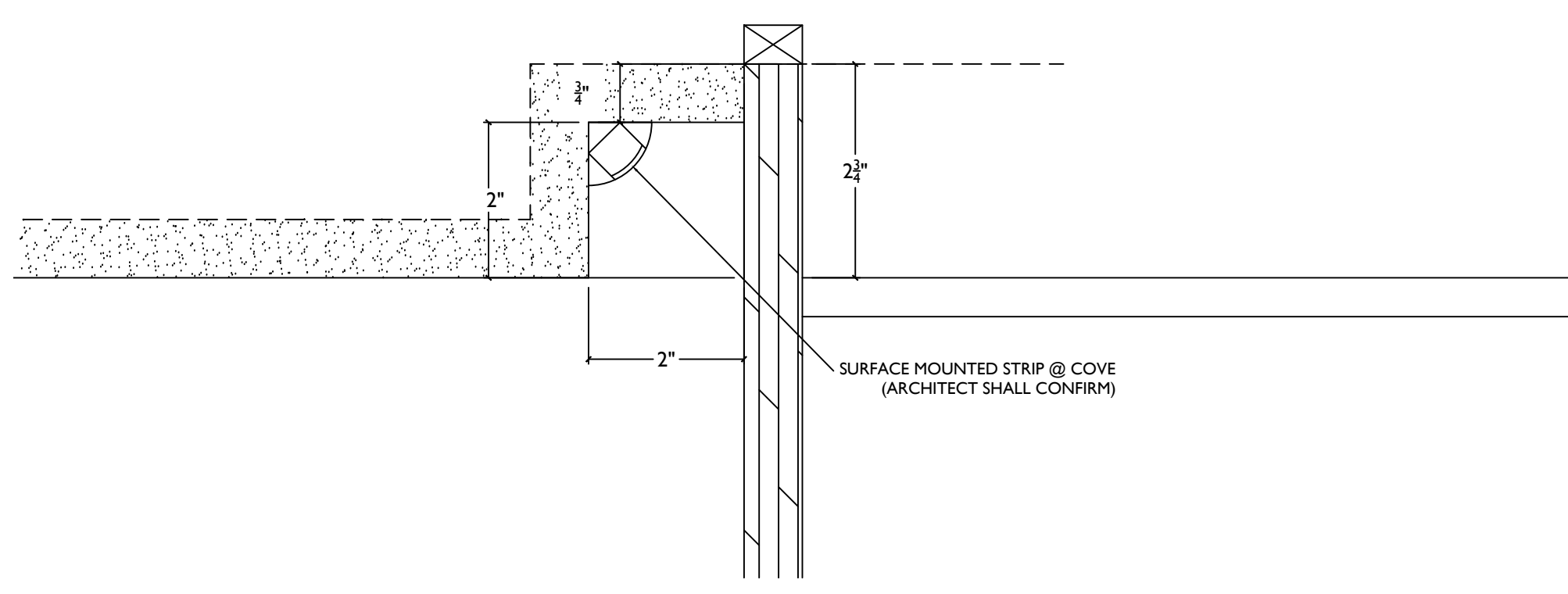
WOOD BACKSLASH DETAIL
SCALE: HALF SIZE



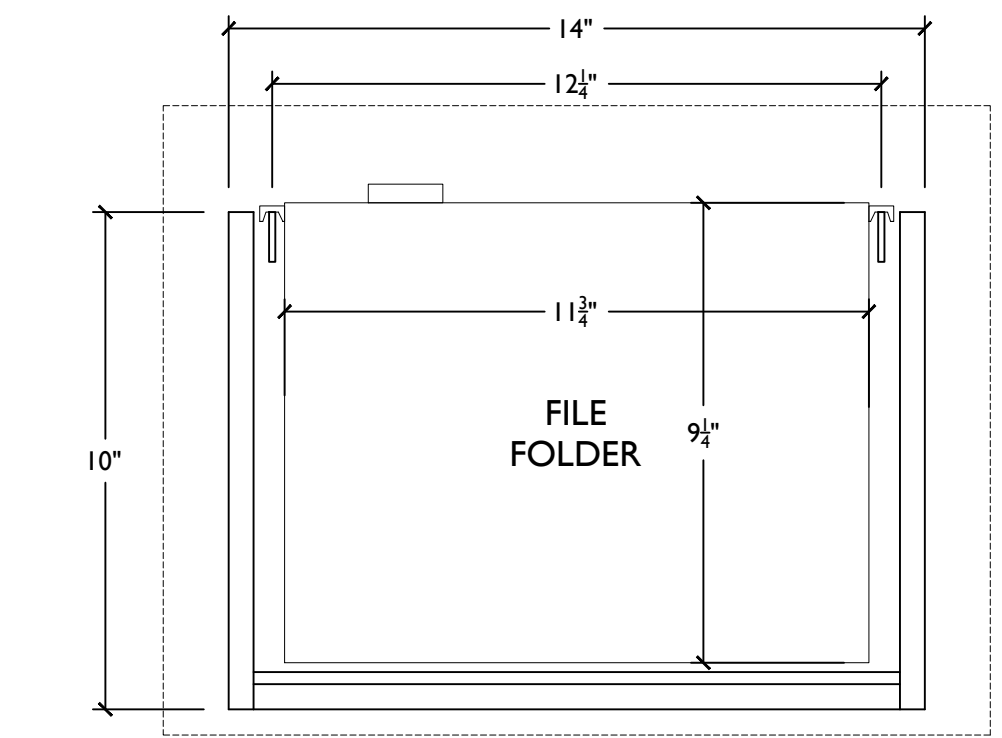
PLAN SECTION
SCALE: 1"=1'-0"



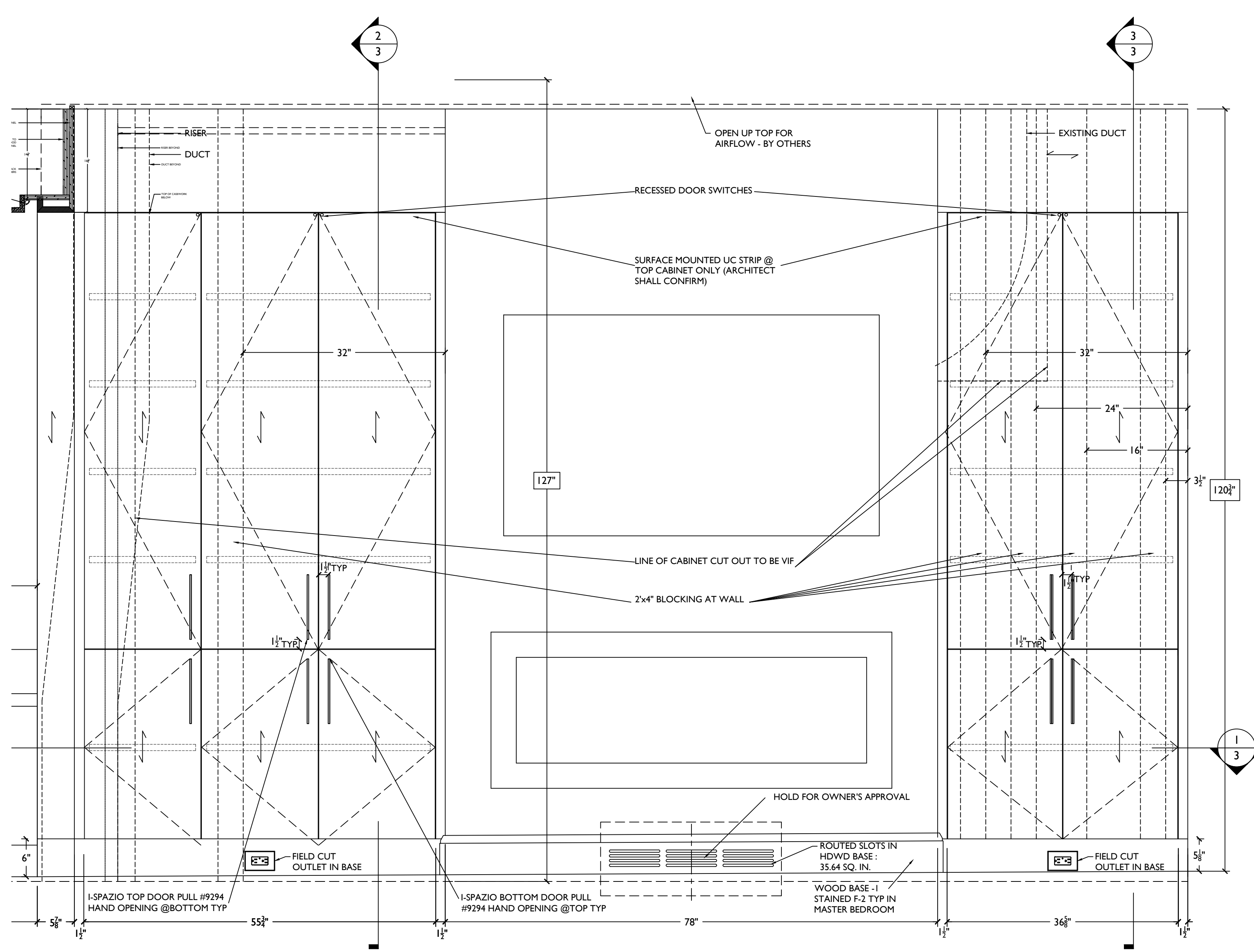
PLAN SECTION
SCALE: 1"=1'-0"



DETAIL AT TRAY CEILING
SCALE: HALF SIZE

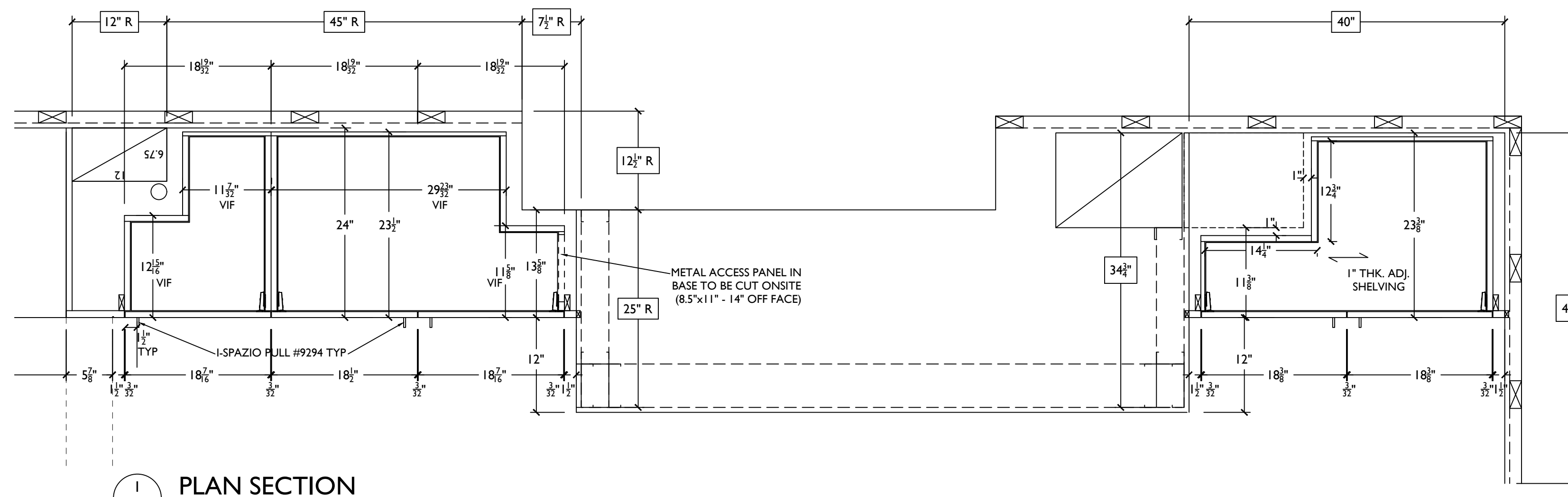


FILE DRAWER DETAIL
SCALE: 3"=1'-0"

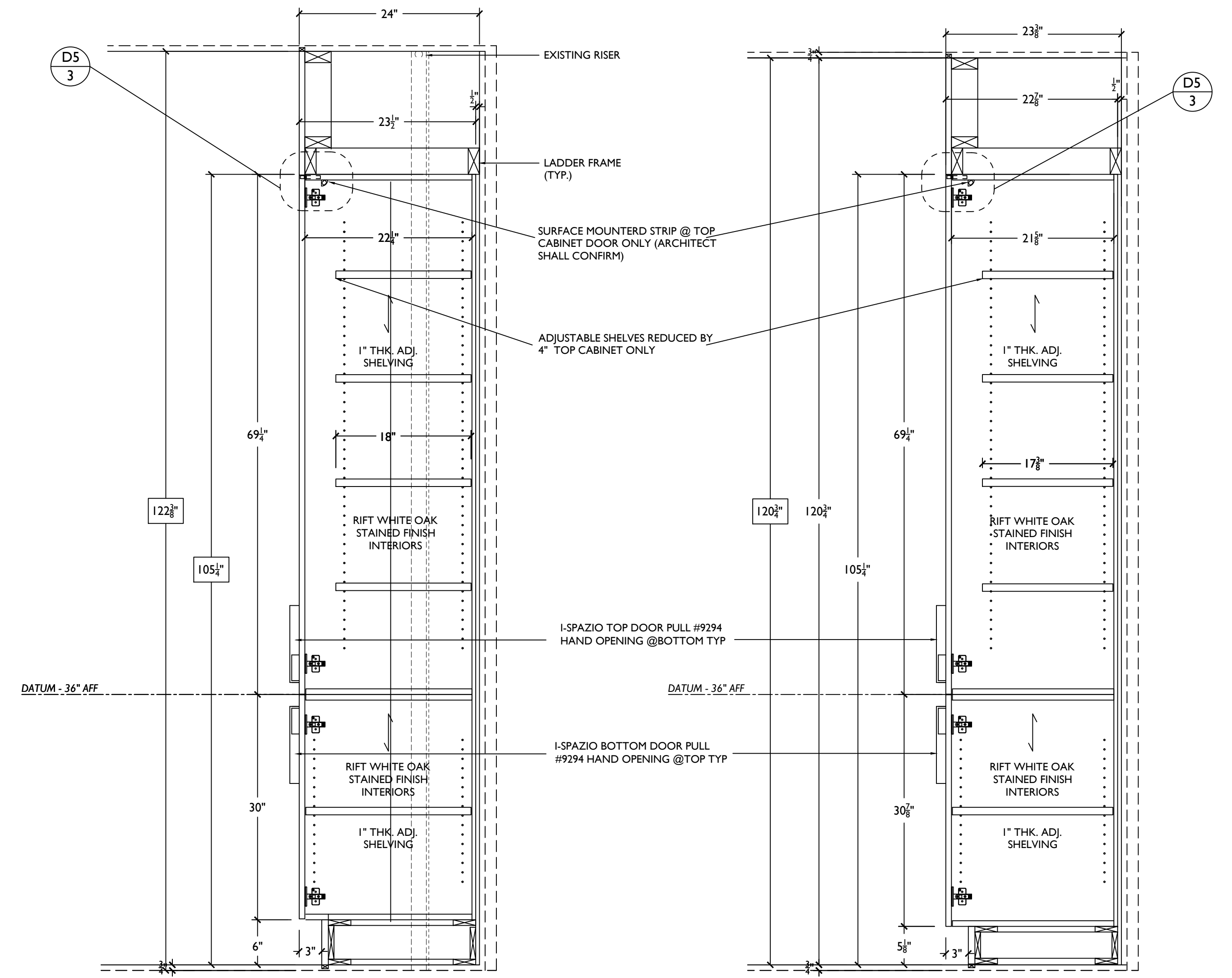


D ELEVATION
SCALE: 1"=1'-0"

FINISHES:
EXTERIOR: STAINED RIFT OAK
INTERIOR: STAINED RIFT OAK

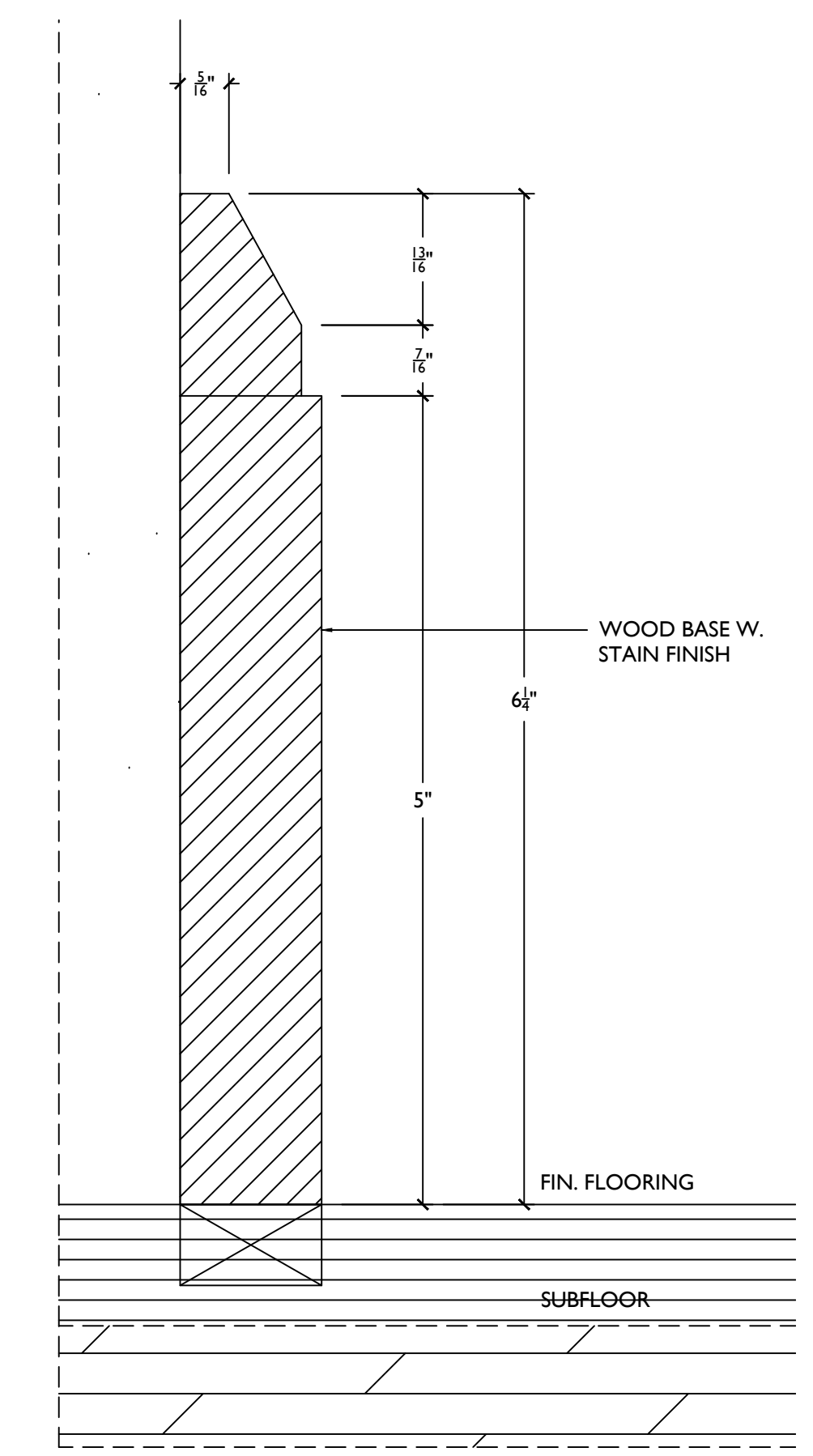


1 PLAN SECTION
SCALE: 1"=1'-0"



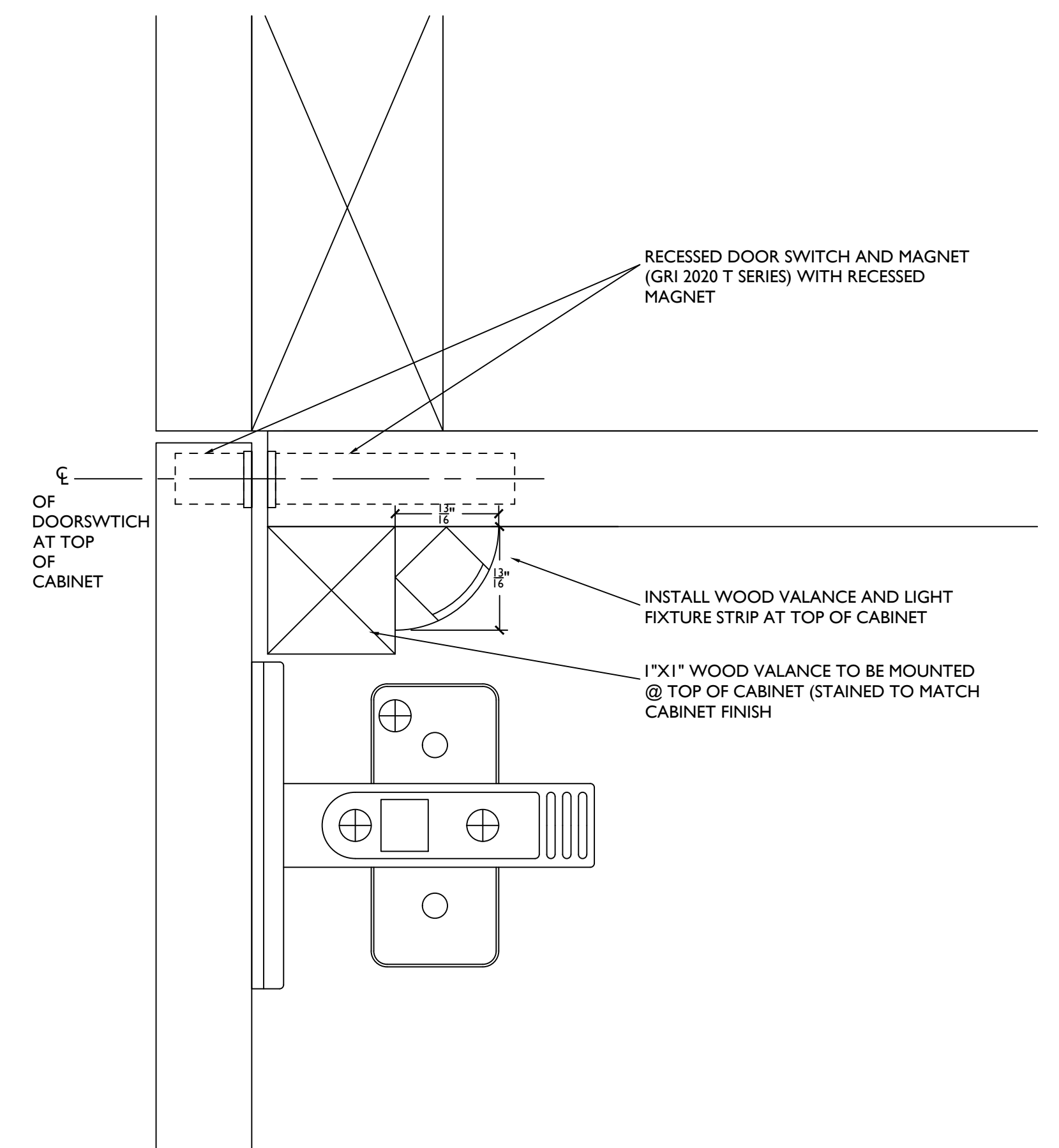
2 CABINETRY SECTION
SCALE: 1"=1'-0"

3 CABINETRY SECTION
SCALE: 1"=1'-0"



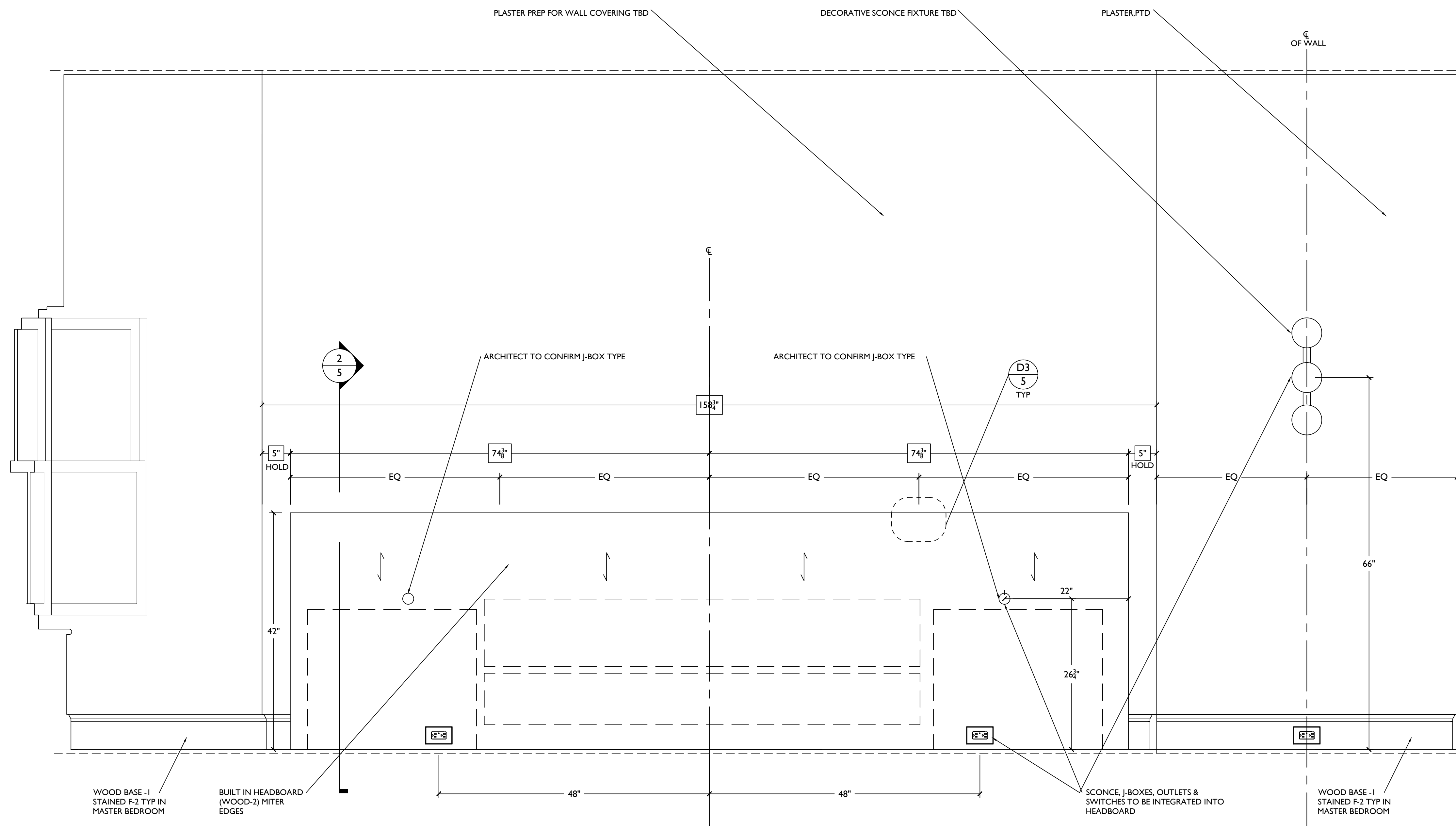
4 BASE DETAIL
SCALE: FULL SIZE

ARCH REF: 6/A801

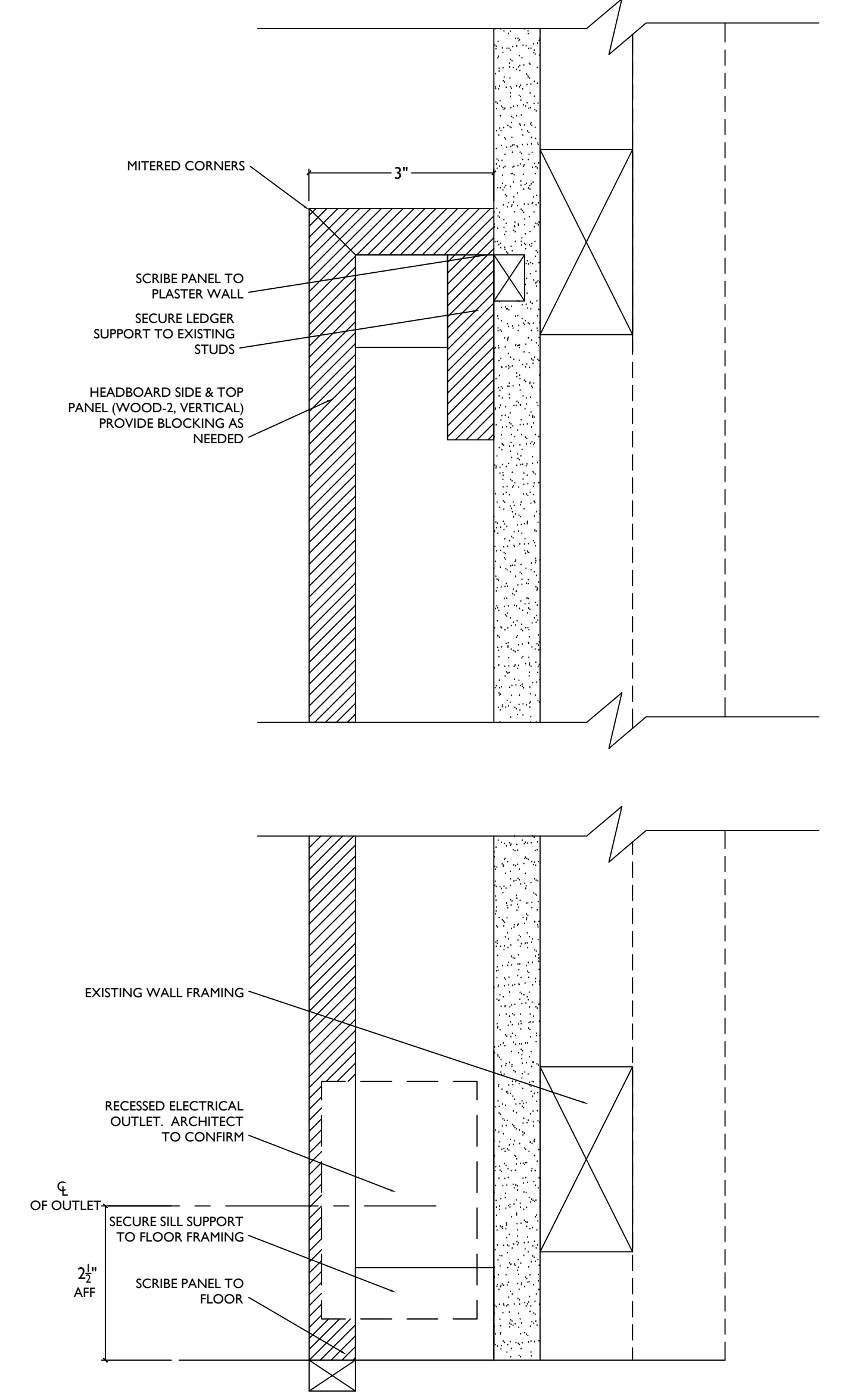


5 SURFACE MOUNTED UC STRIP @ TOP CABINET
SCALE: FULL SIZE

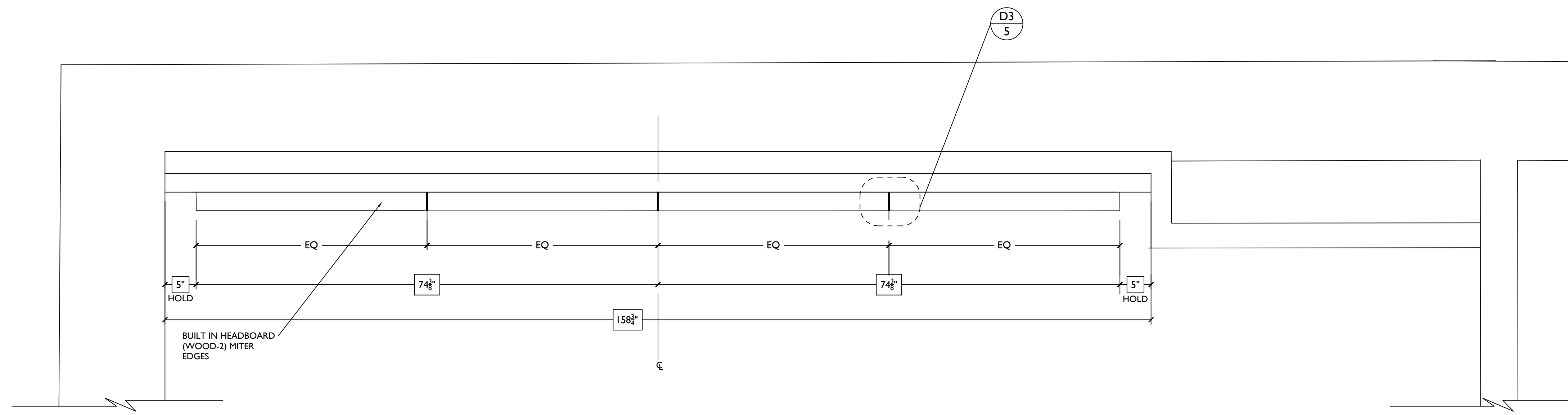
ARCH REF: 6/A801



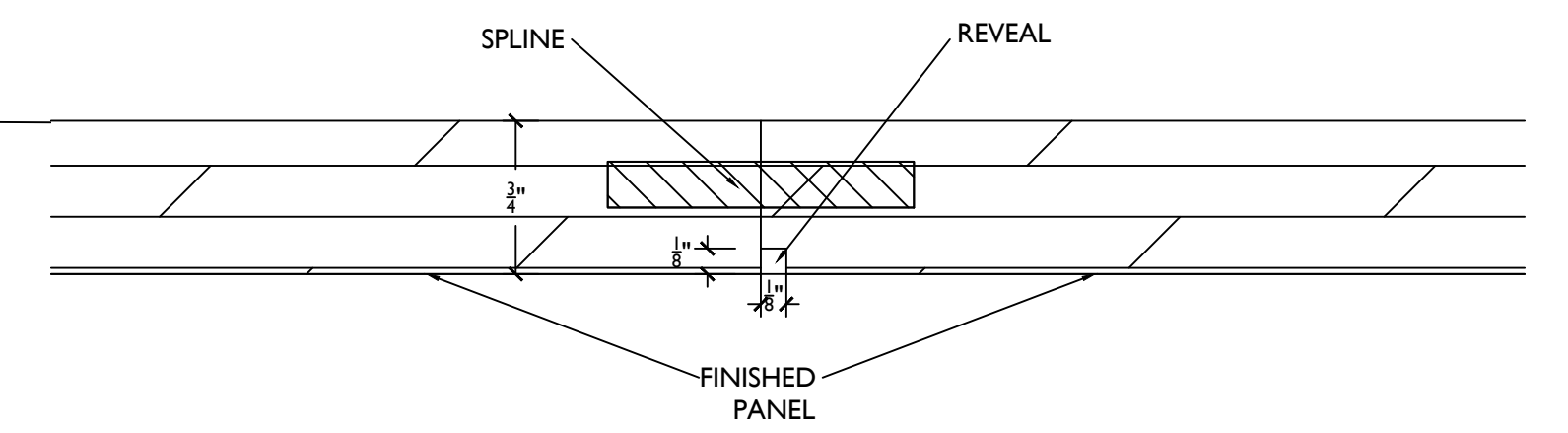
G
5
HEADBOARD ELEVATION
SCALE: 1"=1'-0"
ARCH REF: SK-14A



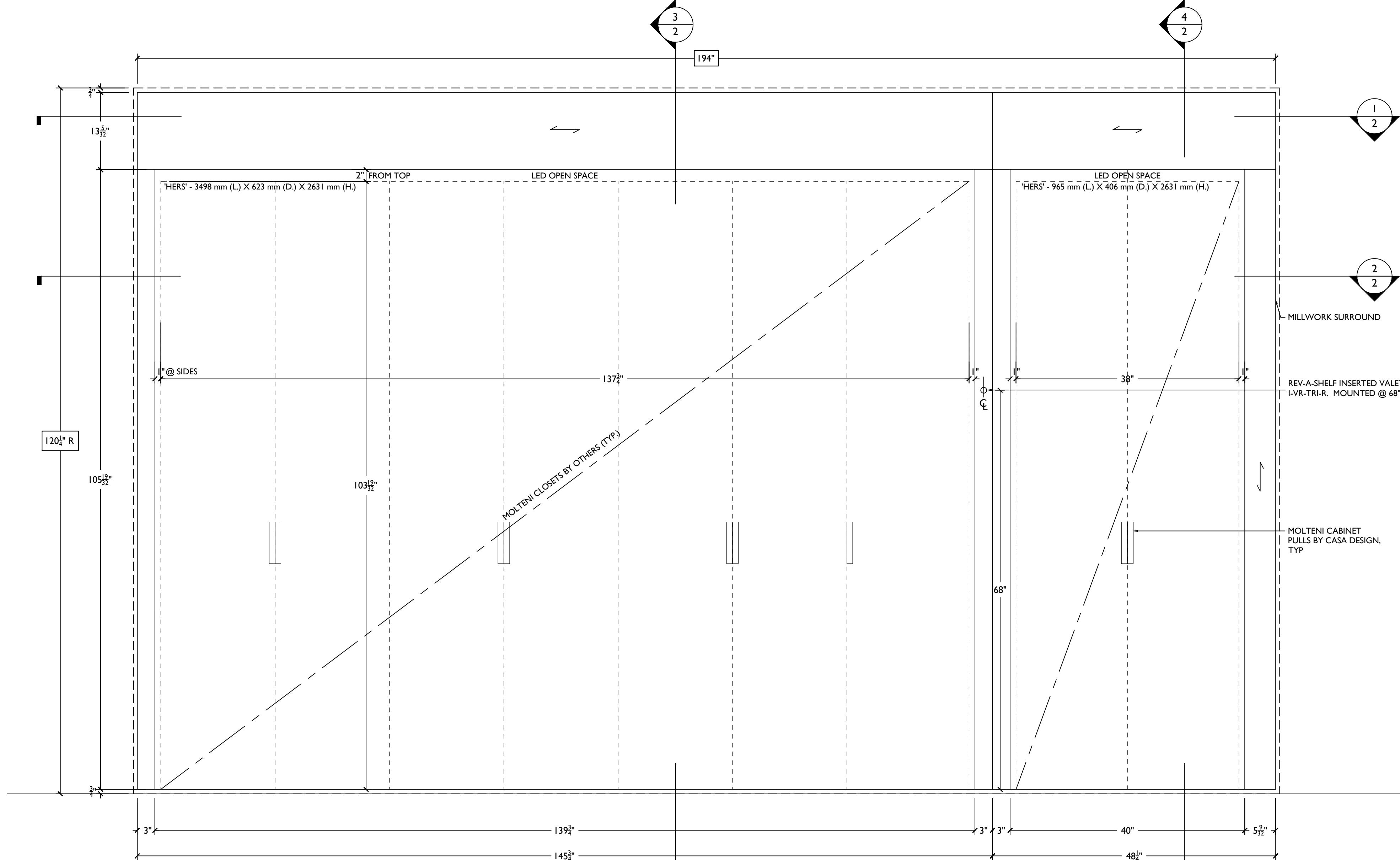
2
5
SECTION @ HEADBOARD
SCALE: 6" = 1'-0"
ARCH REF: SK-14A



G
5
HEADBOARD PLAN
SCALE: 1"=1'-0"
ARCH REF: SK-14A

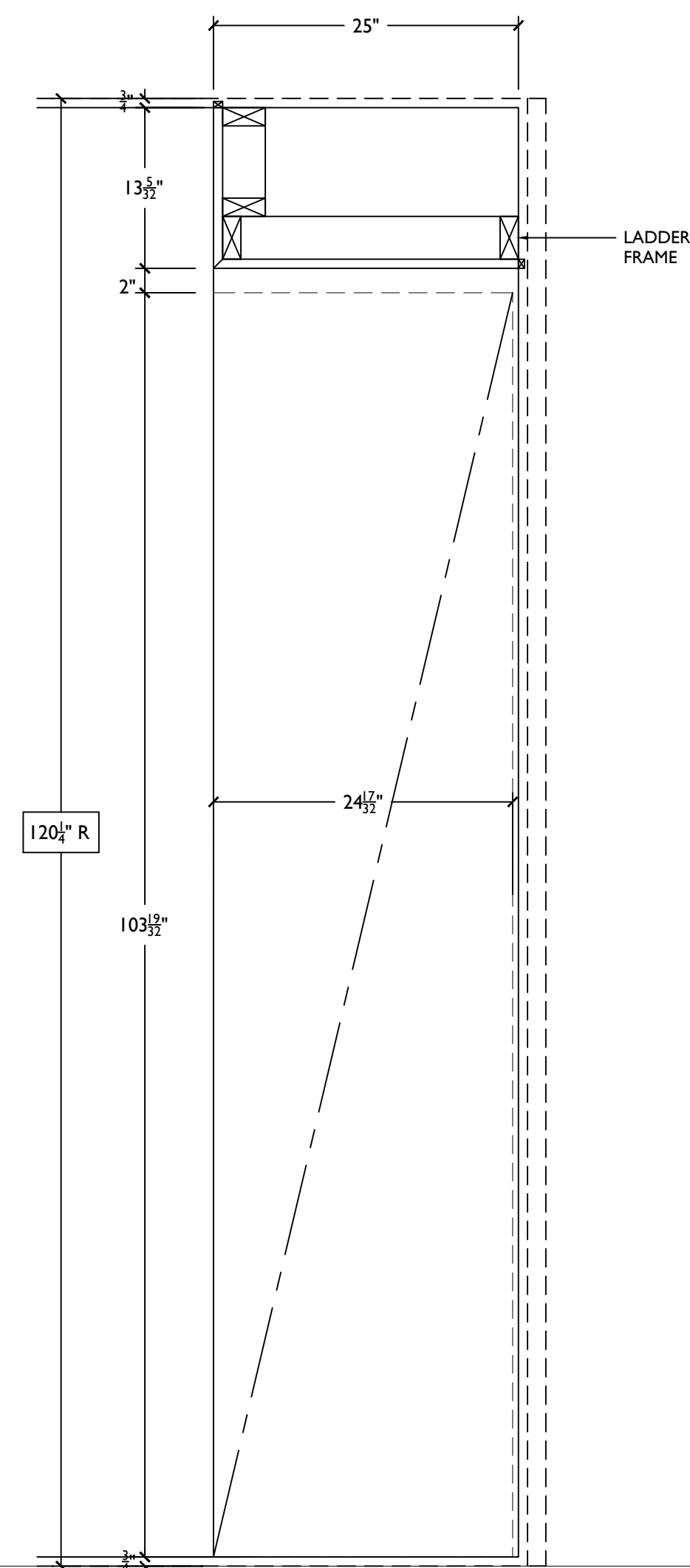


D3
5
TYP. HEADBOARD PANEL DETAIL @ REVEAL
SCALE: FULL SIZE

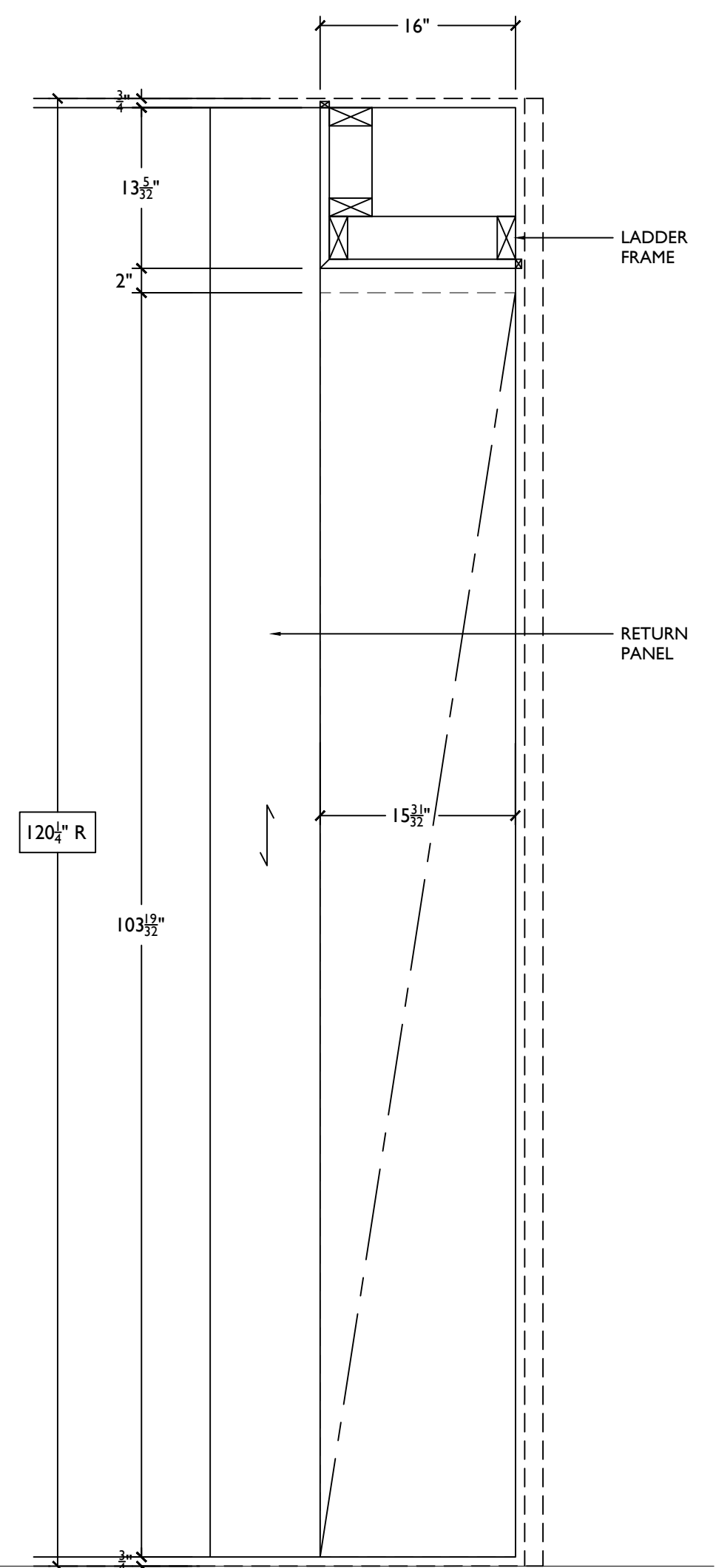


ELEVATION
SCALE: 1"=1'-0" ARCH REF: 3/A5.23

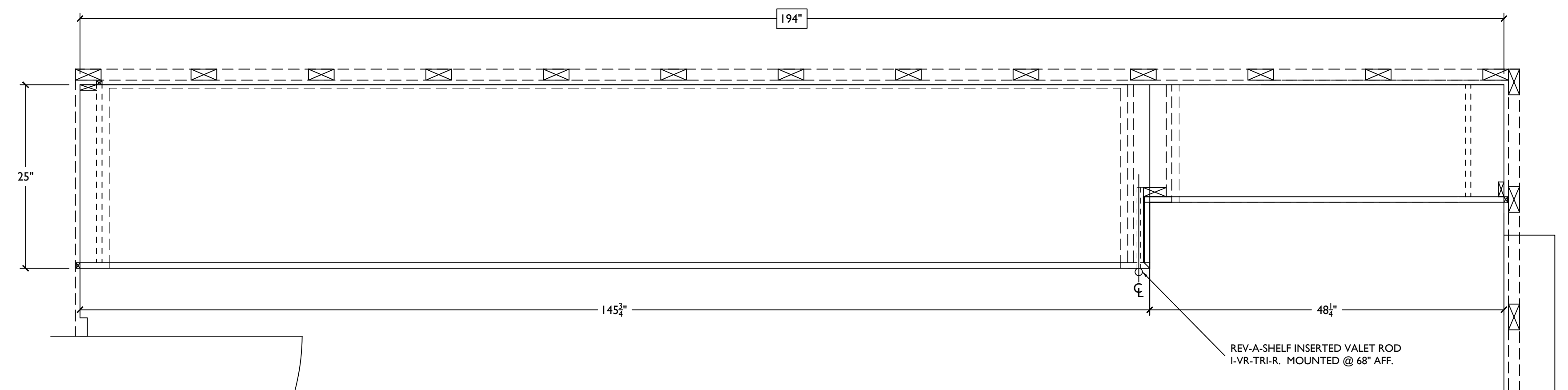
FINISHES:
EXTERIOR: STAINED RIFT OAK
INTERIORS: PAINTED BLACK FINISH



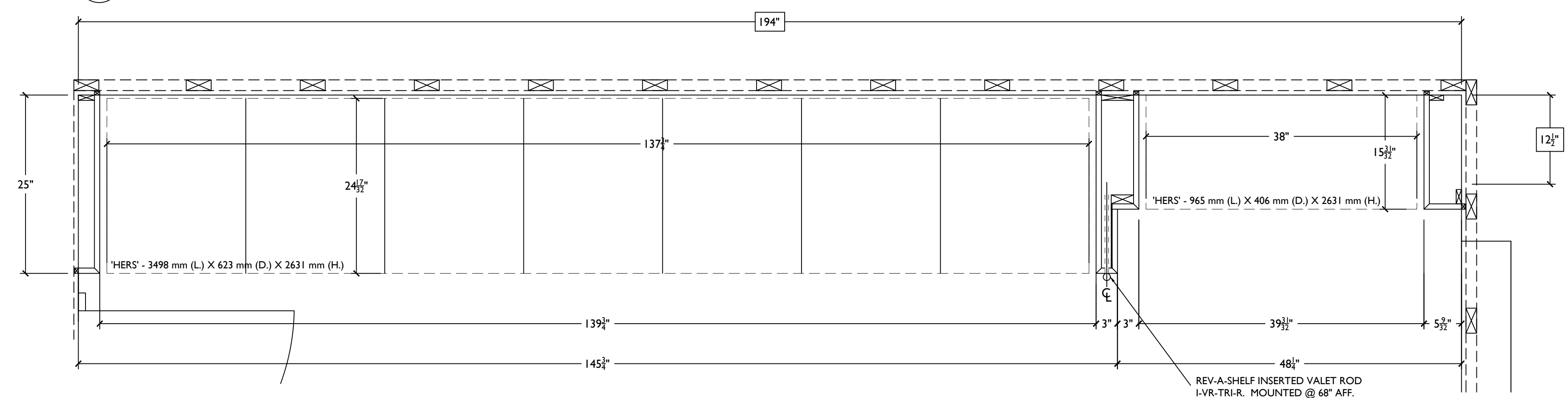
SECTION 3
SCALE: 1"=1'-0"



SECTION 4
SCALE: 1"=1'-0"



PLAN SECTION 1
SCALE: 1"=1'-0"



PLAN SECTION 2
SCALE: 1"=1'-0"