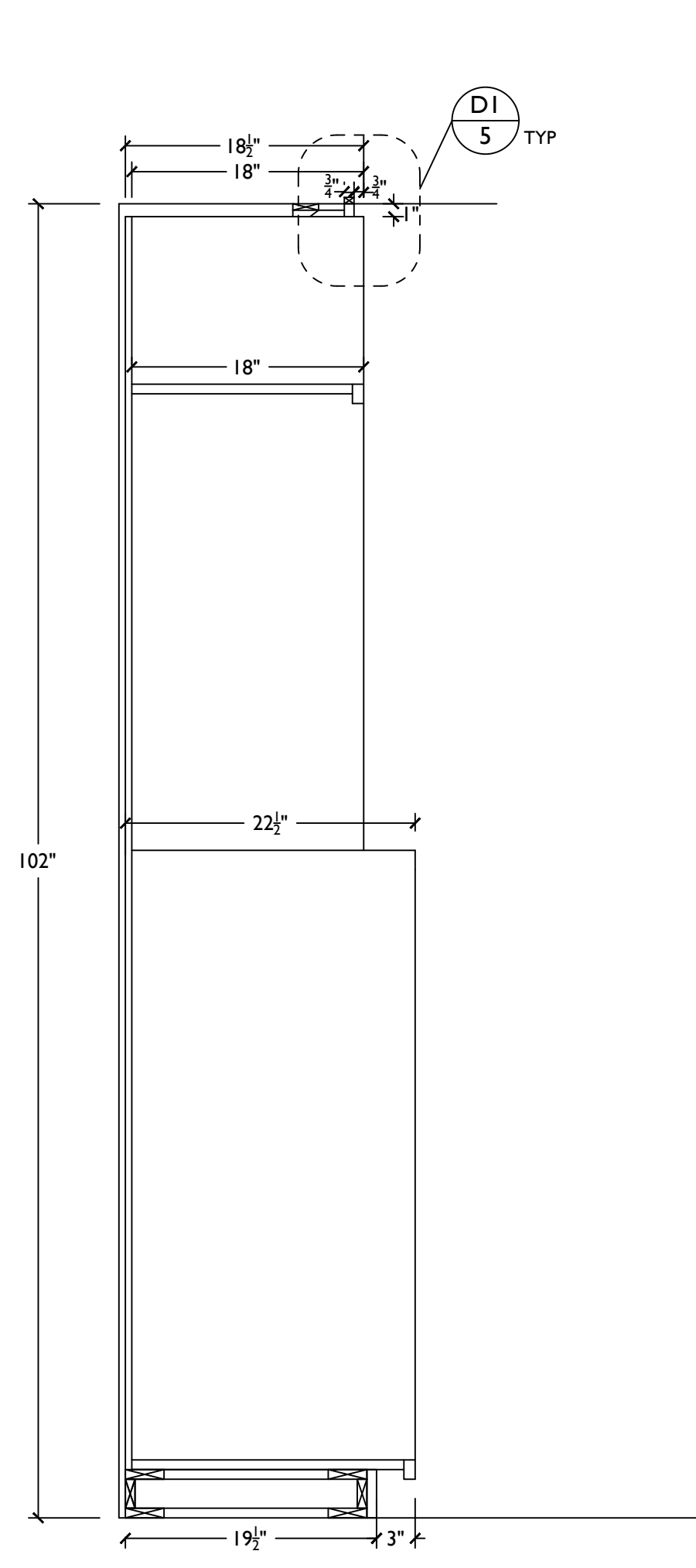
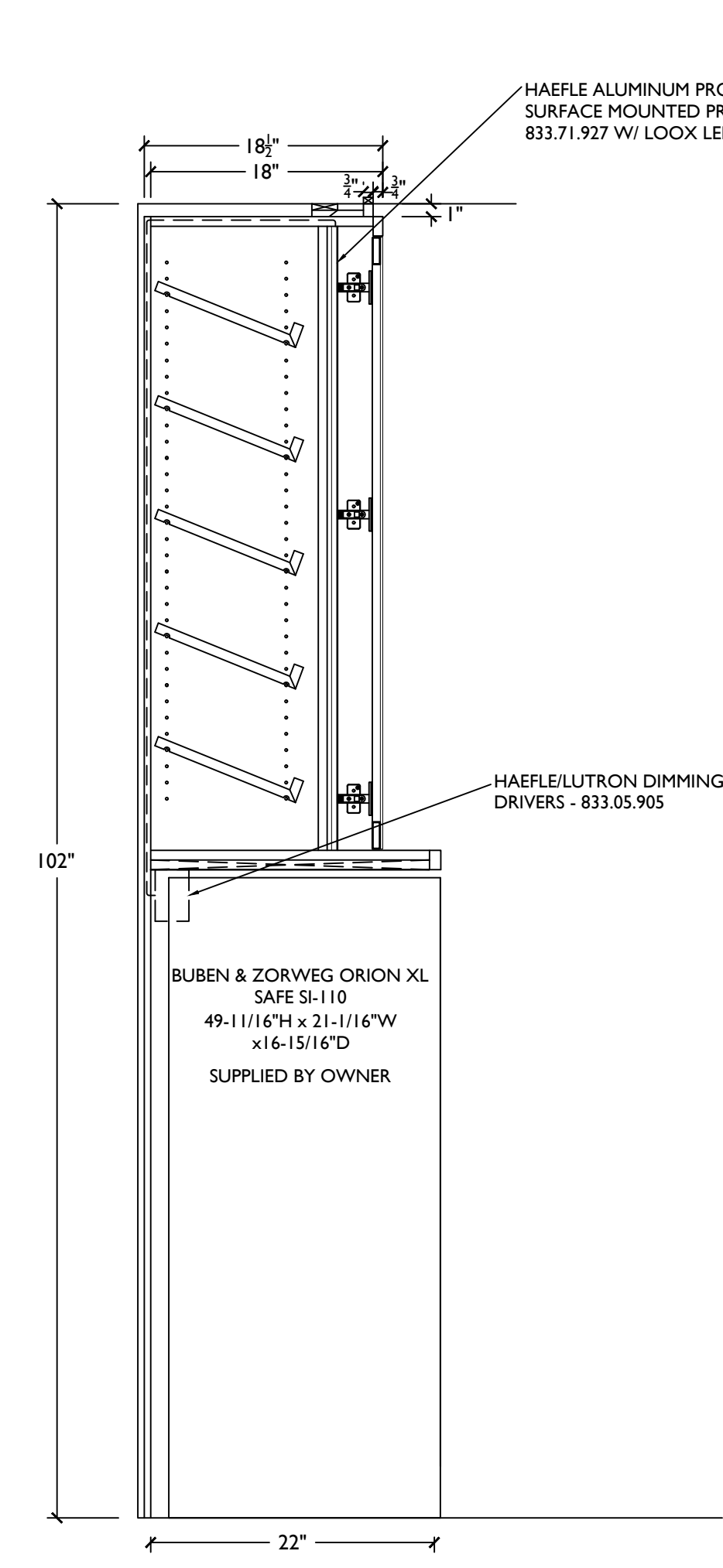


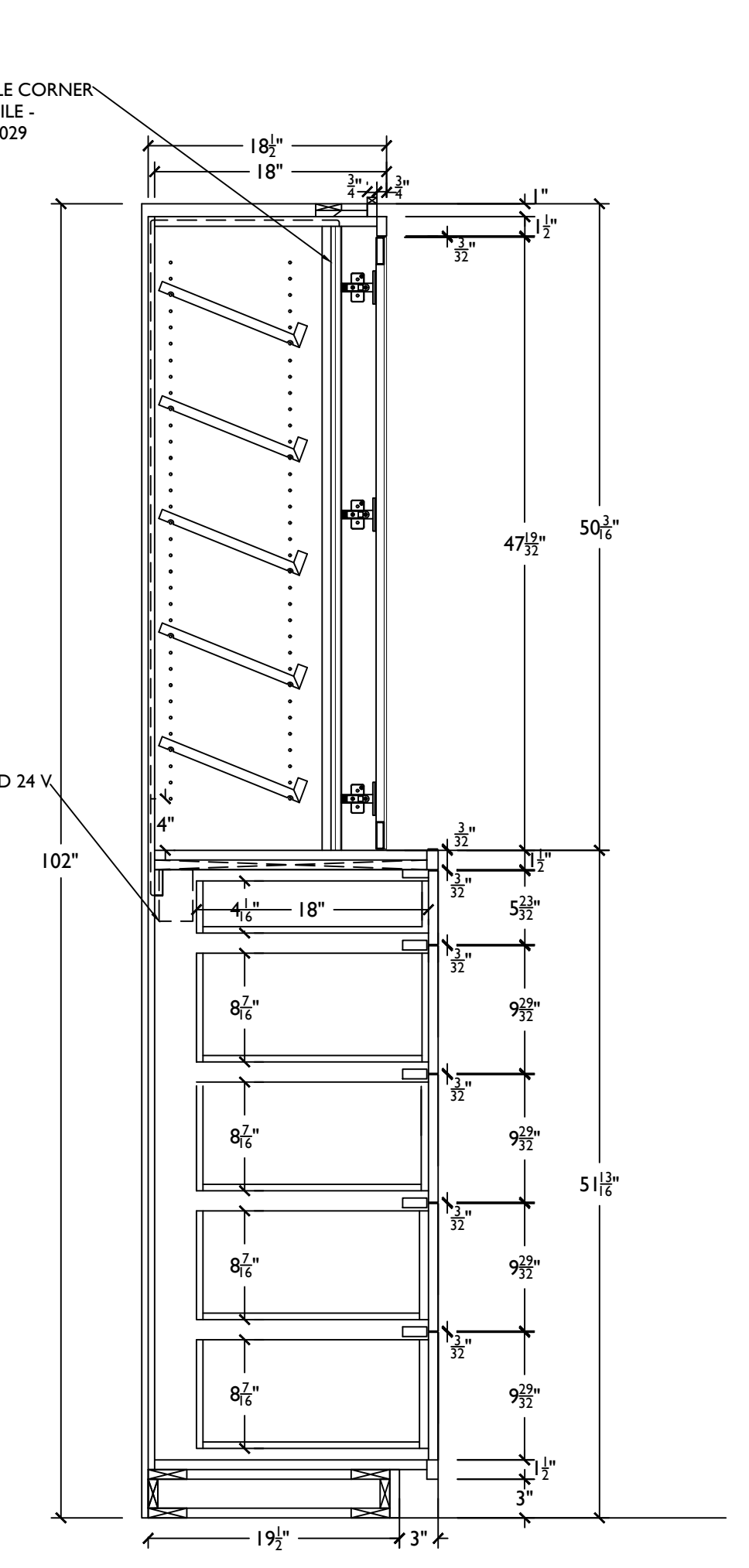
1
2 ELEVATION - MSTR BDR WIC - A
SCALE: 1"=1'-0"
ARCH REF: IA7.1



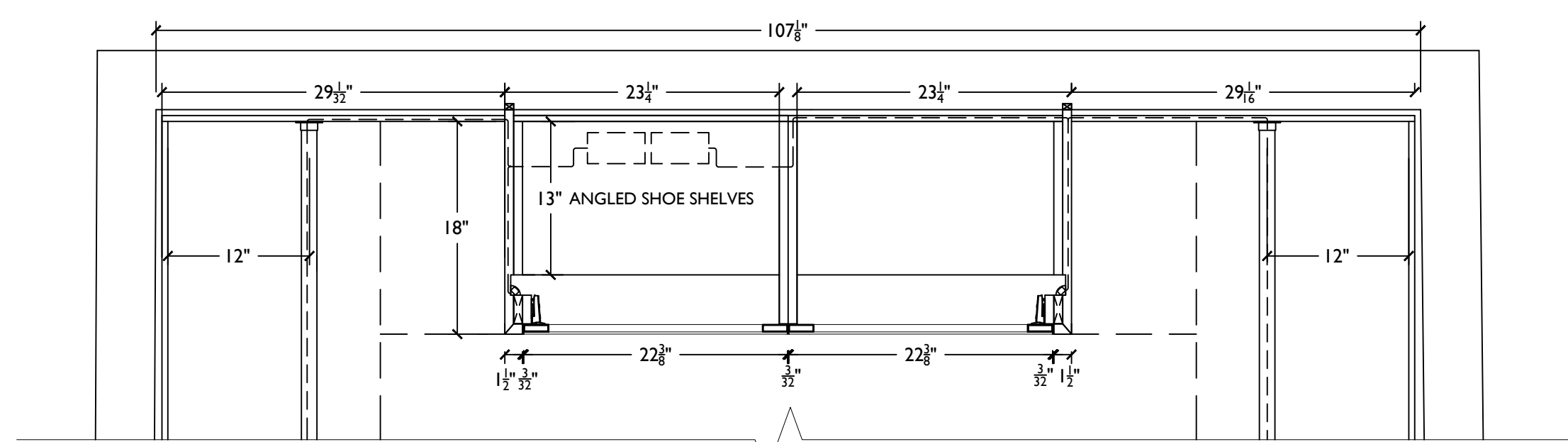
5
2 SECTION - MSTR BDR WIC - A
SCALE: 1"=1'-0"
ARCH REF: IA7.1



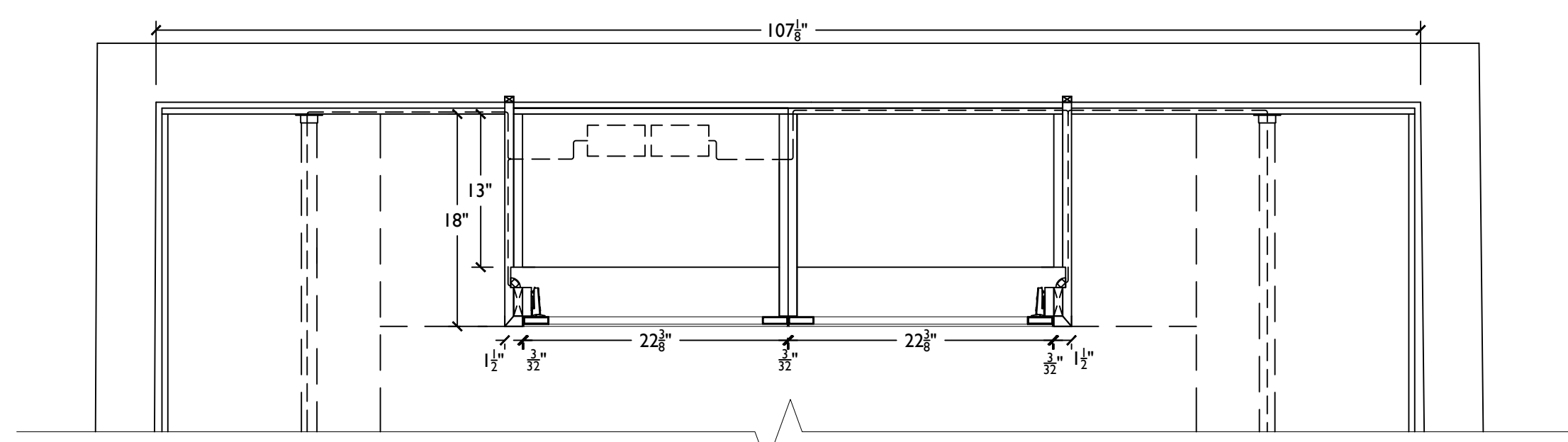
6
2 SECTION - MSTR BDR WIC - A
SCALE: 1"=1'-0"
ARCH REF: IA7.1



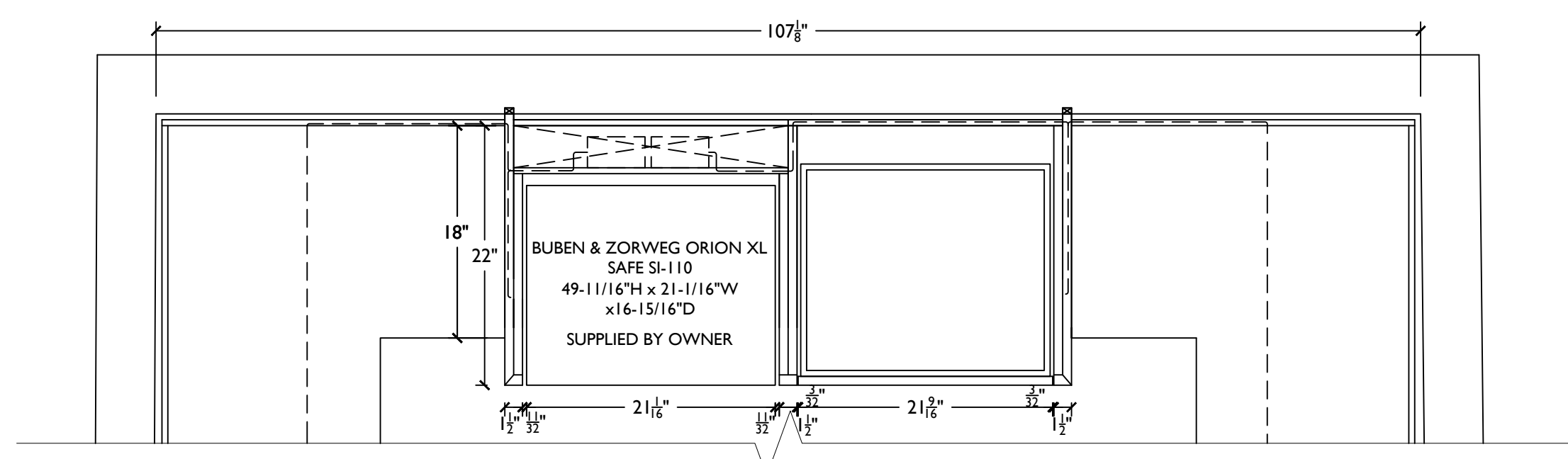
7
2 SECTION - MSTR BDR WIC - A
SCALE: 1"=1'-0"
ARCH REF: IA7.1



2
2 SECTION - MSTR BDR WIC - A
SCALE: 1"=1'-0"
ARCH REF: IA7.1

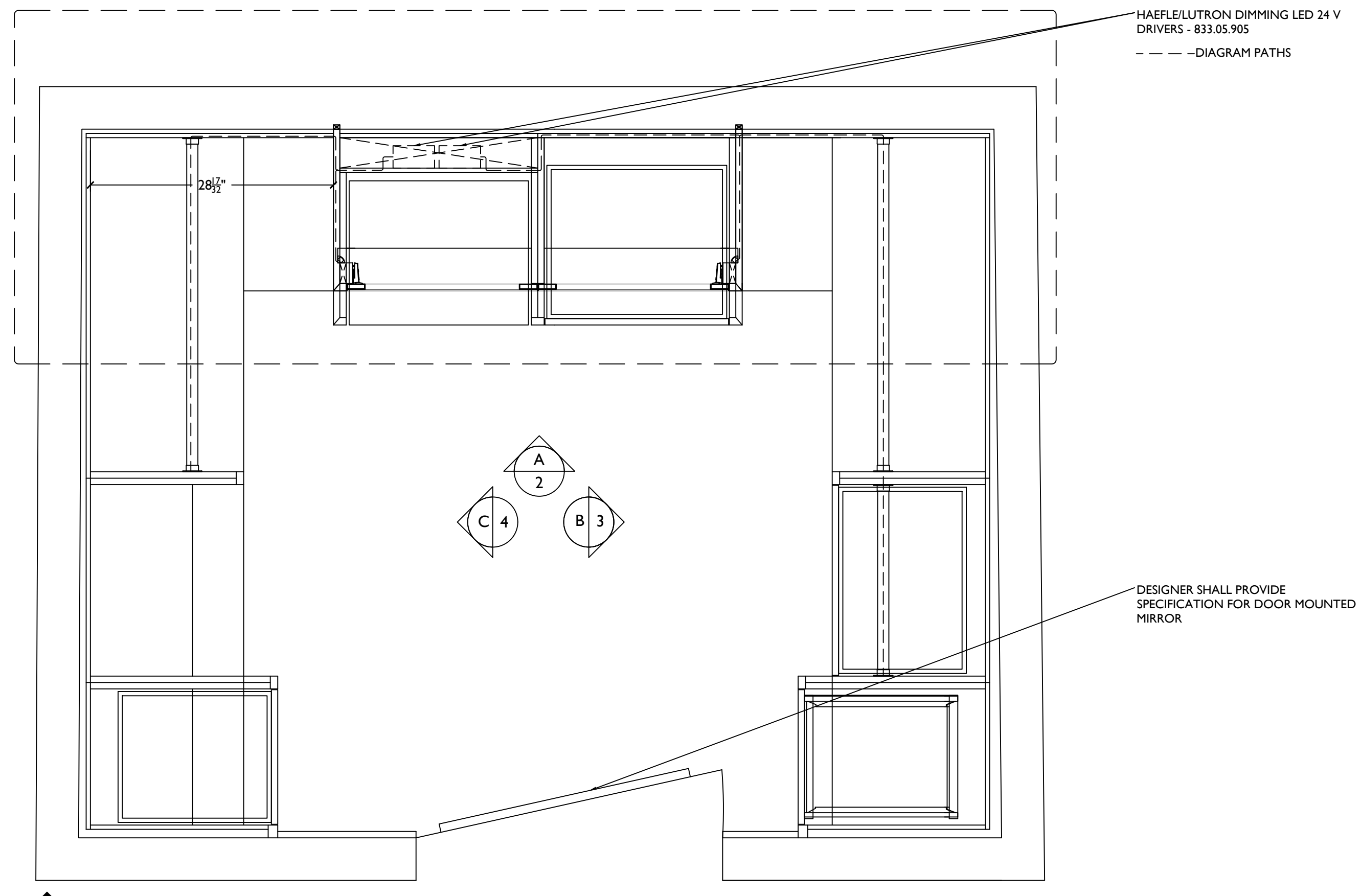


3
2 SECTION - MSTR BDR WIC - A
SCALE: 1"=1'-0"
ARCH REF: IA7.1

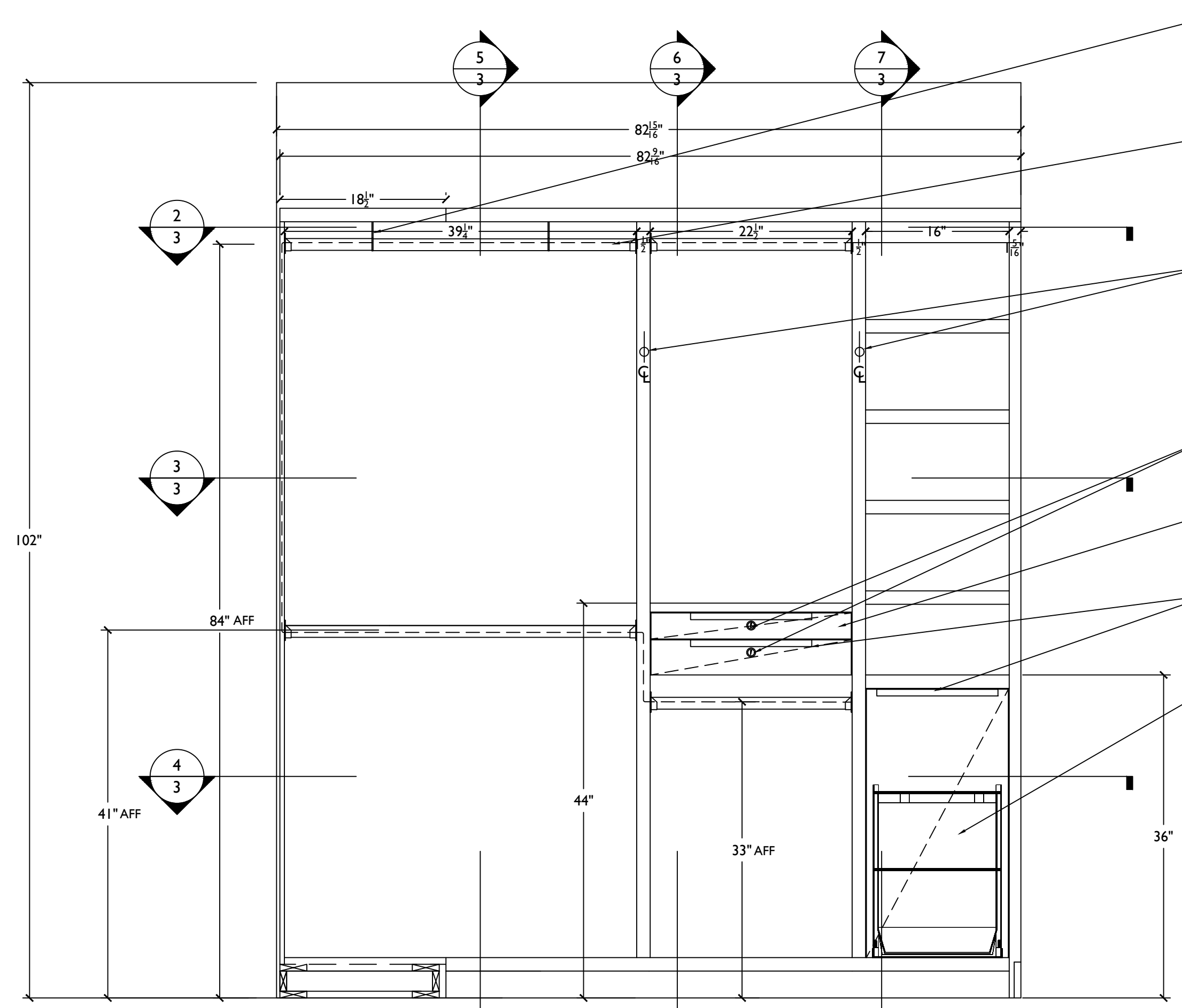


4
2 SECTION - MSTR BDR WIC - A
SCALE: 1"=1'-0"
ARCH REF: IA7.1

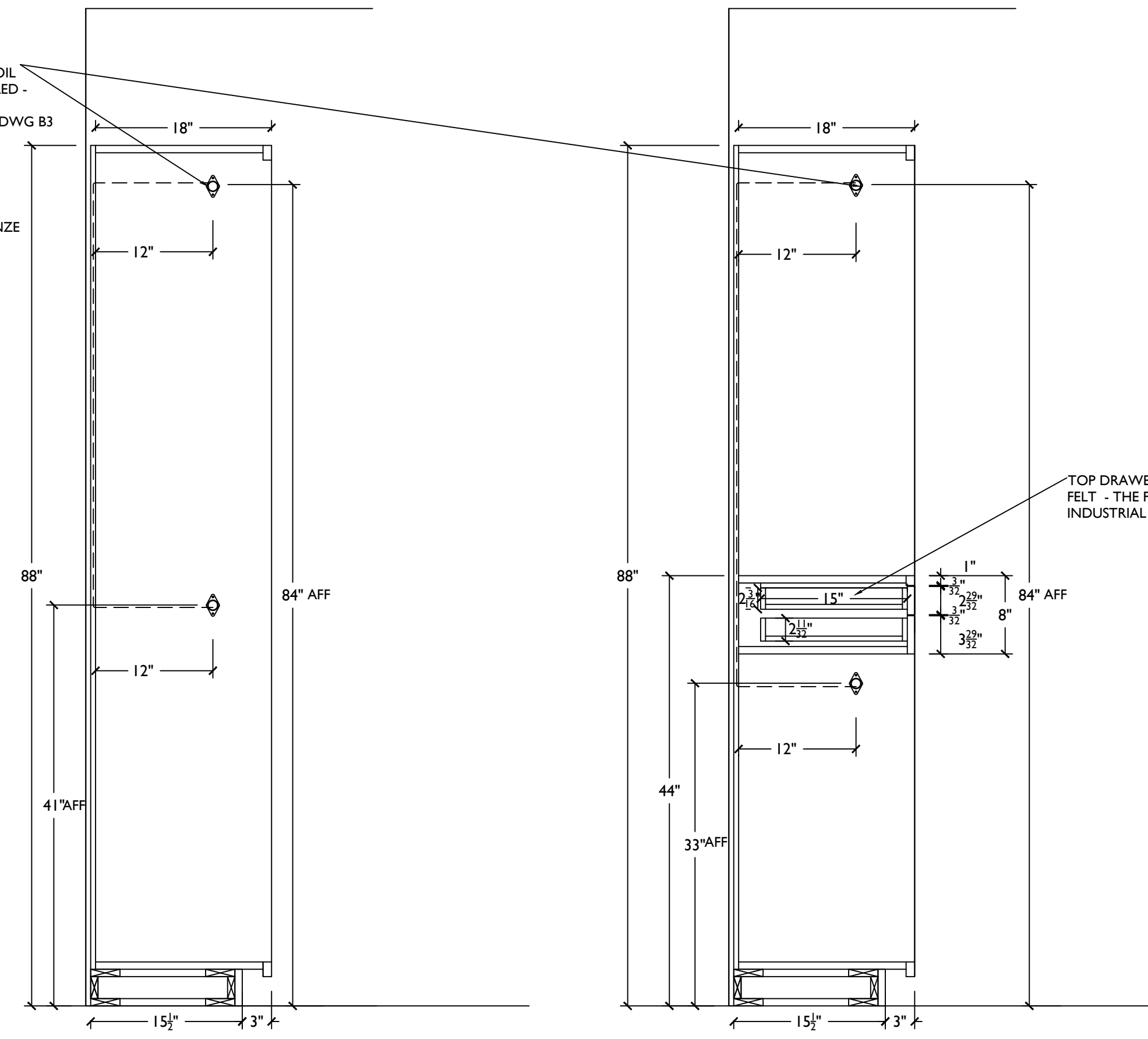
FINISHES:
EXTERIOR : SHOP PAINTED - INTERIOR : NATURAL MAPLE CLEAR FINISH



A
2 PLAN - MSTR BDR WIC - A
SCALE: 1"=1'-0"
ARCH REF: IA7.1



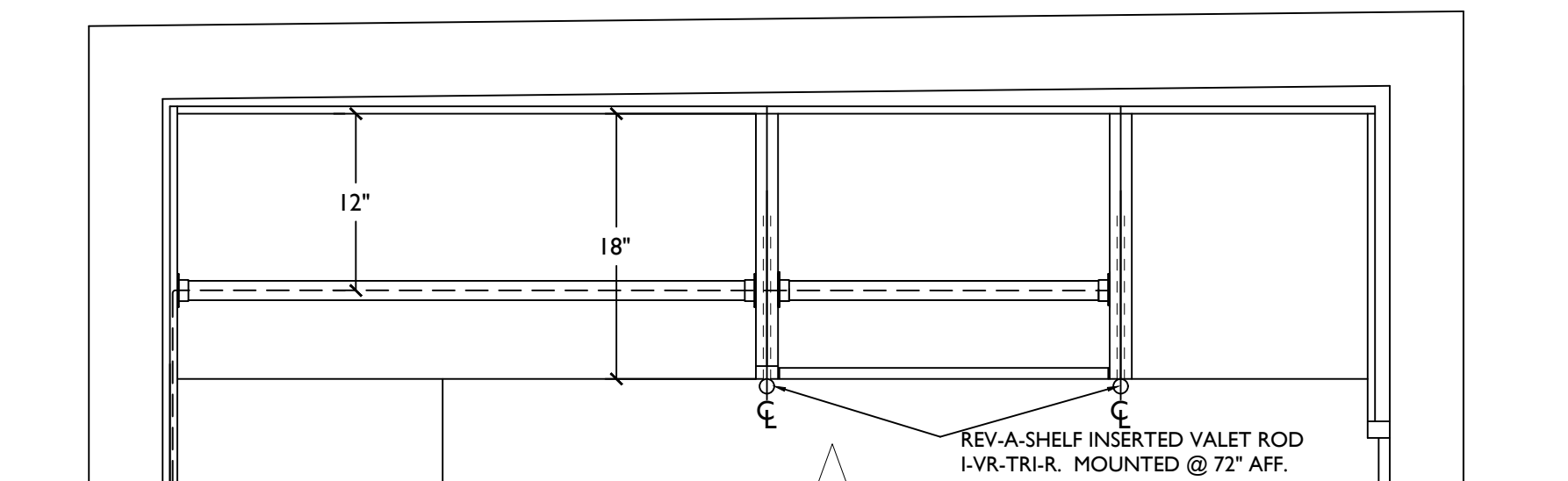
1
ELEVATION - MSTR BDR WIC - B
 SCALE: 1"=1'-0"
 ARCH REF: IA7.1



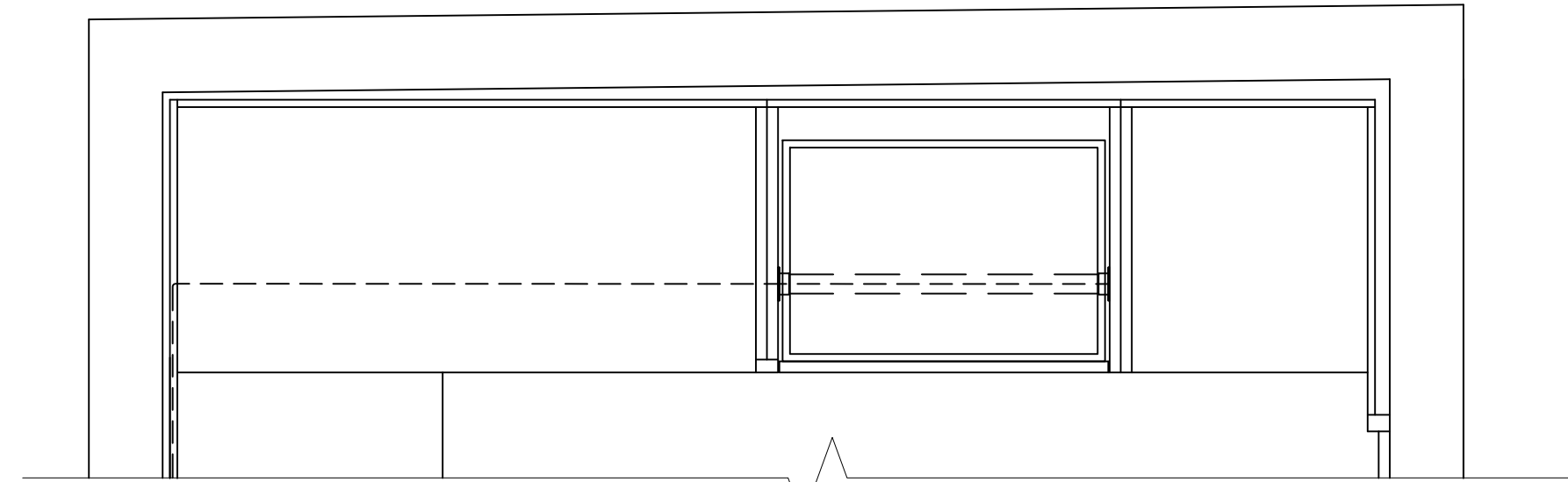
5
SECTION - MSTR BDR WIC - B
 SCALE: 1"=1'-0"
 ARCH REF: IA7.1

6
SECTION - MSTR BDR WIC - B
 SCALE: 1"=1'-0"
 ARCH REF: IA7.1

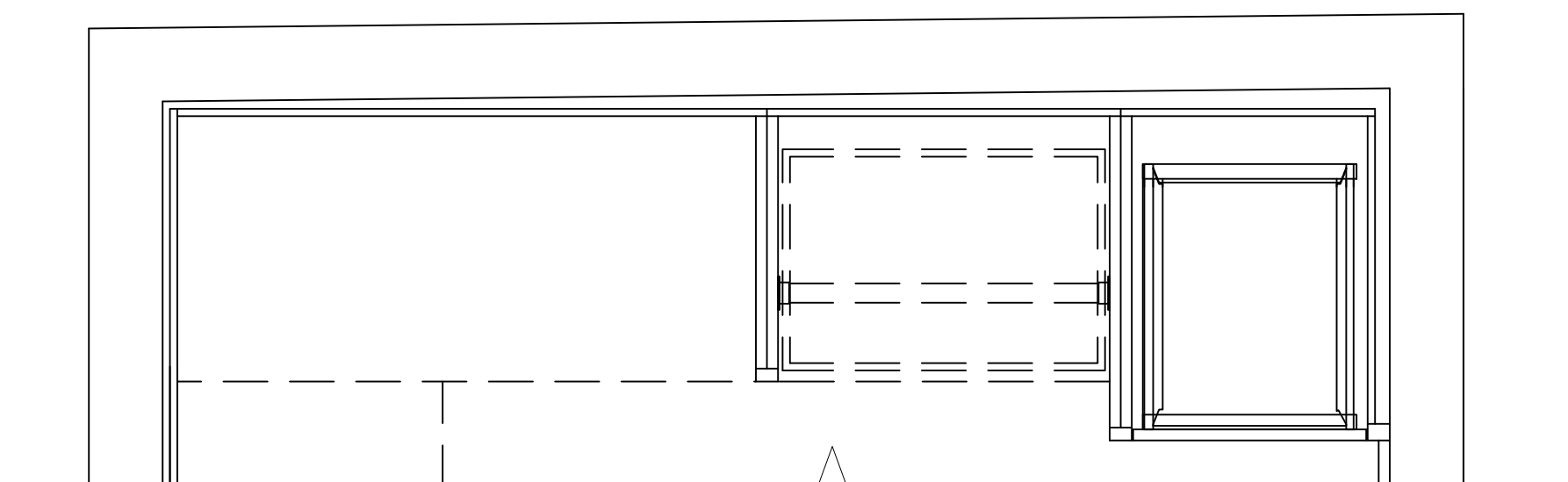
7
SECTION - MSTR
 SCALE: 1"=1'-0"
 ARCH REF: IA7.1



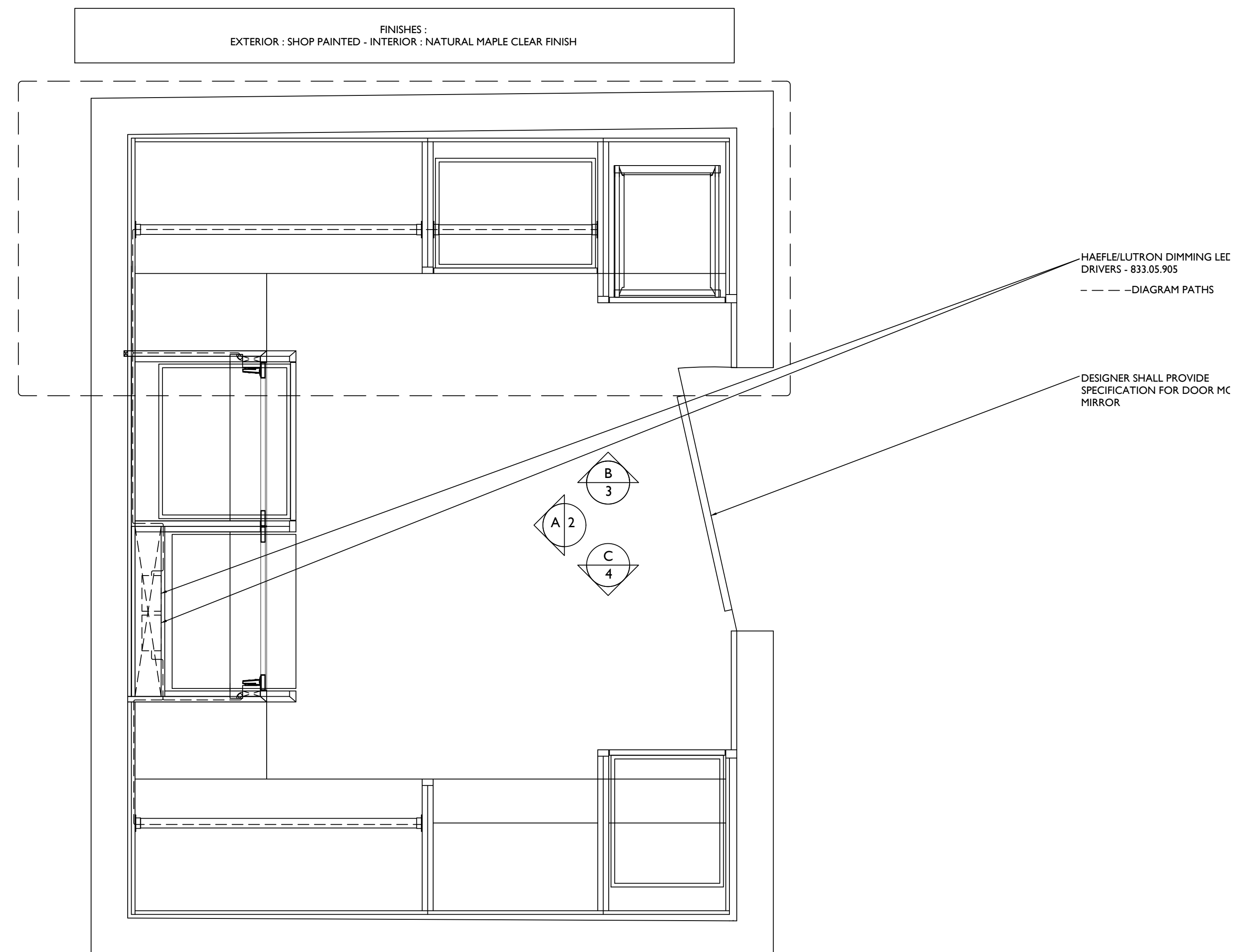
2
SECTION - MSTR BDR WIC - B
 SCALE: 1"=1'-0"
 ARCH REF: IA7.1



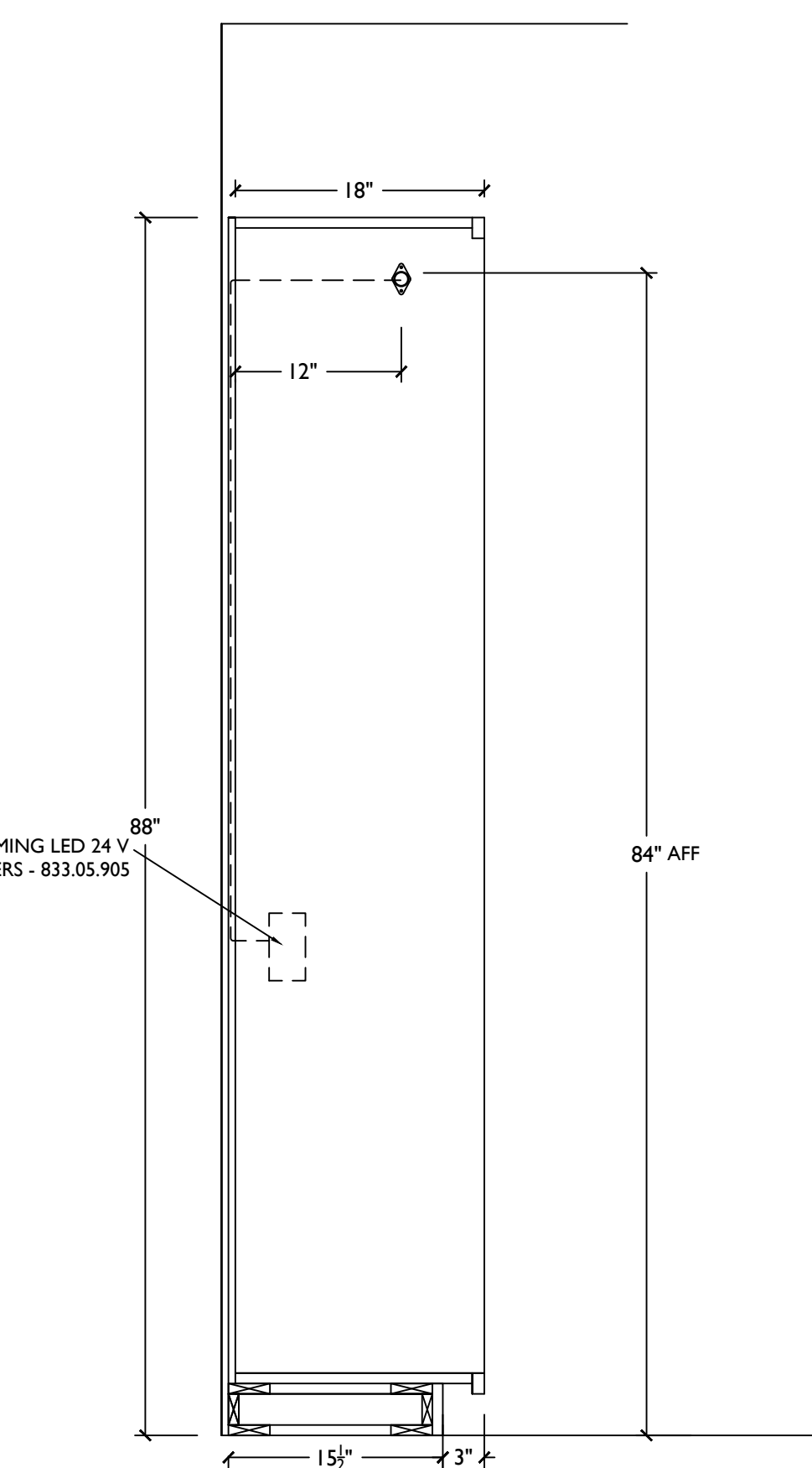
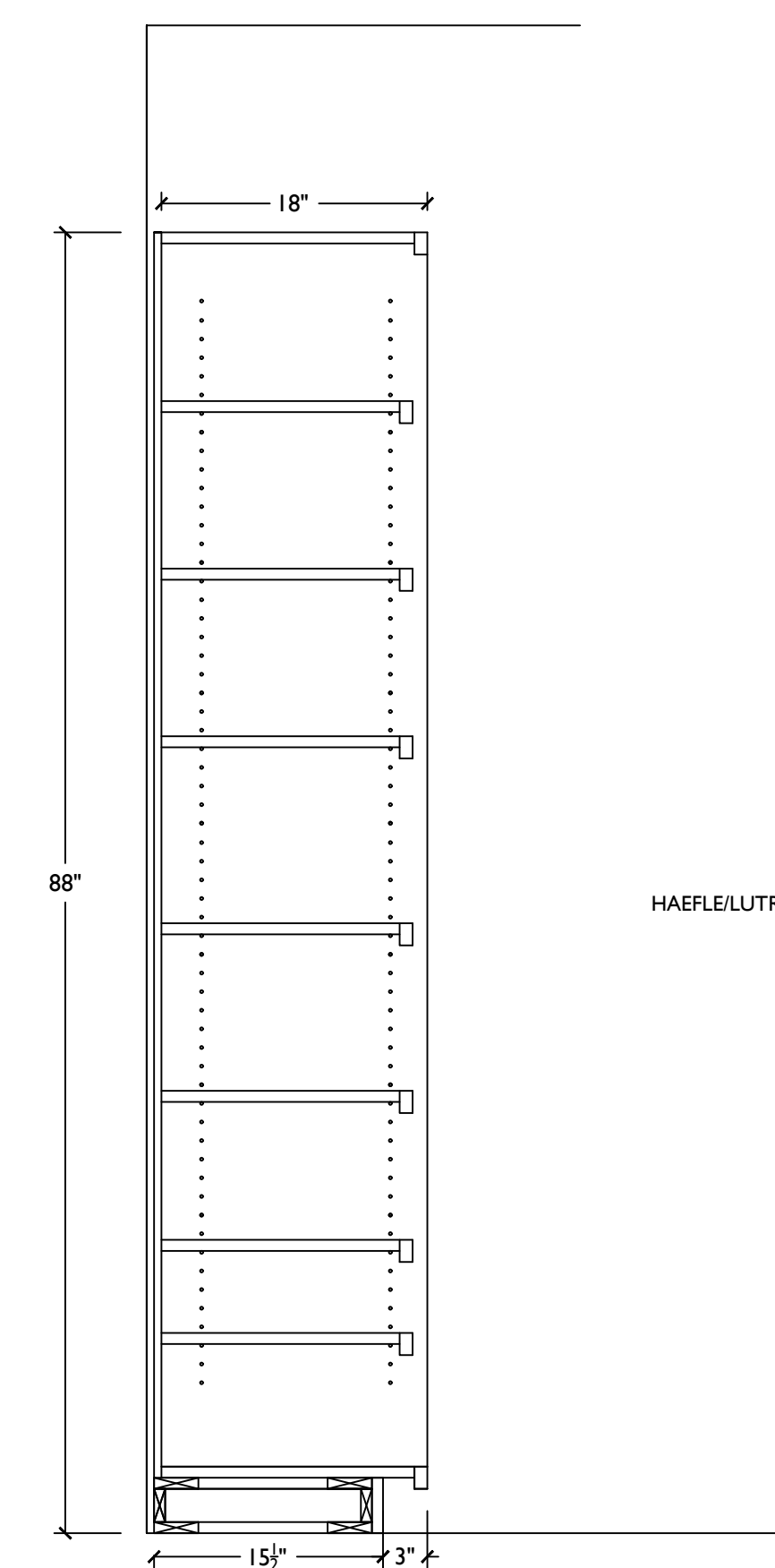
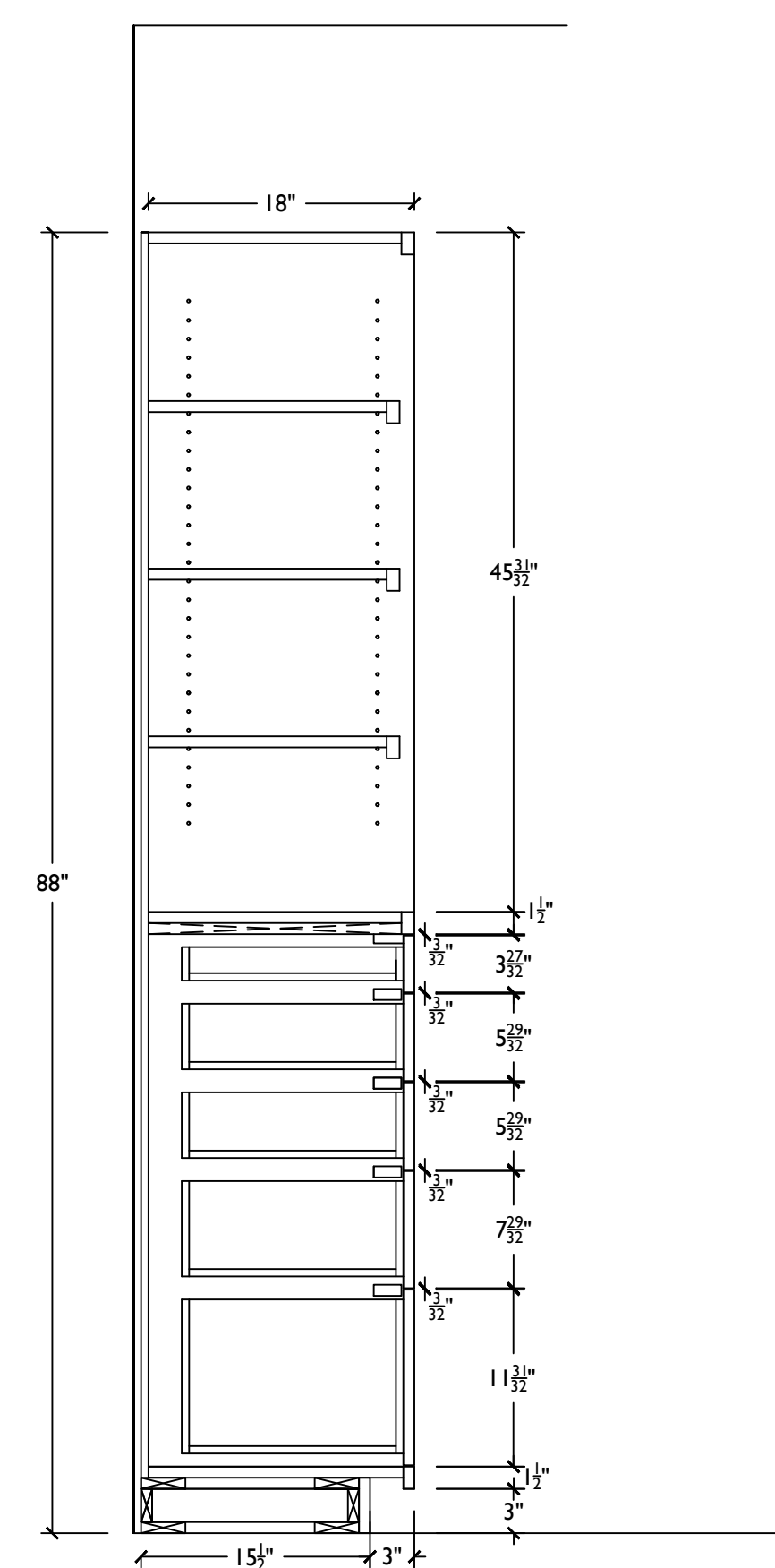
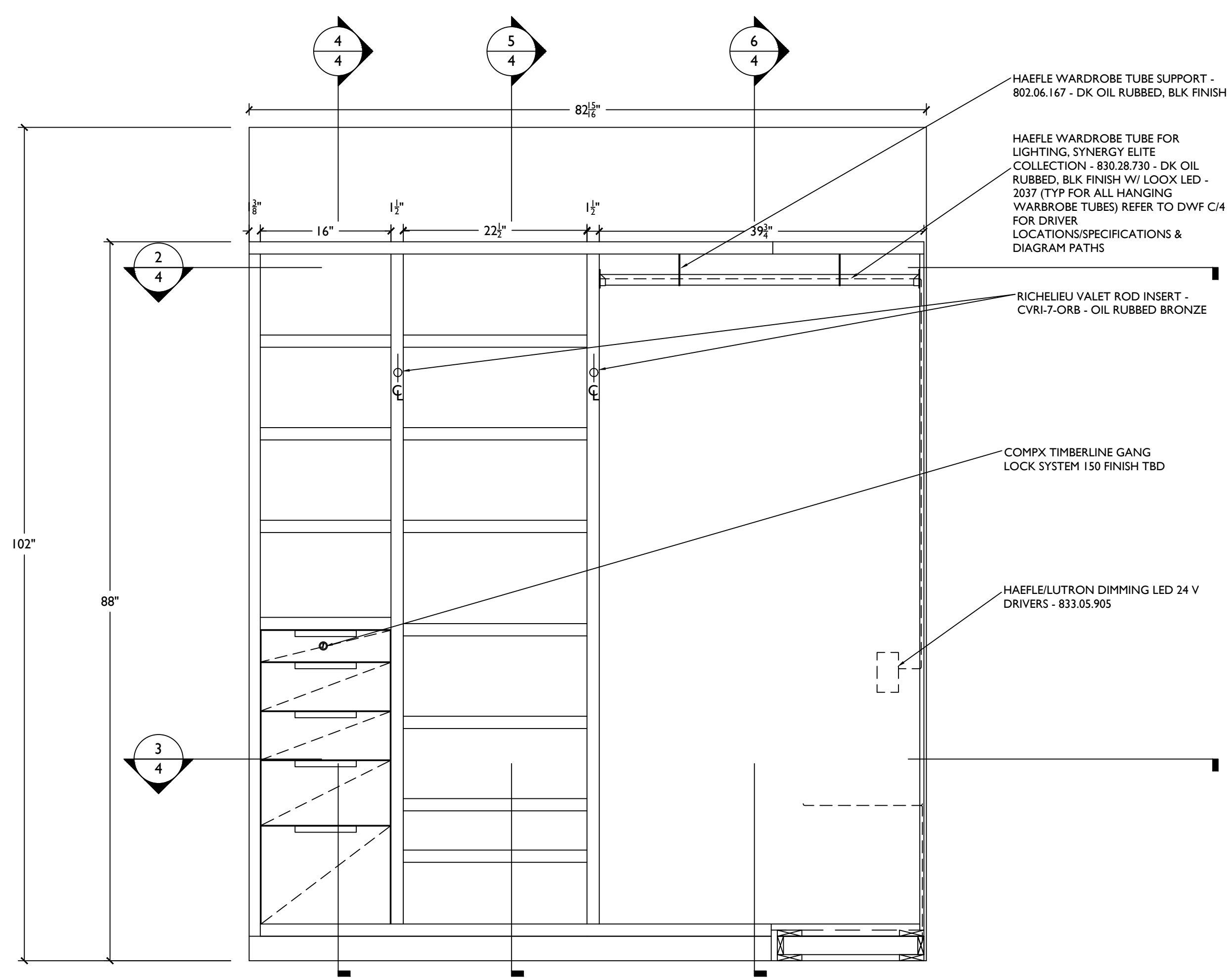
3
SECTION - MSTR BDR WIC - B
 SCALE: 1"=1'-0"
 ARCH REF: IA7.1



4
SECTION - MSTR BDR WIC - B
 SCALE: 1"=1'-0"
 ARCH REF: IA7.1



B
3
PLAN - MSTR BDR WIC - B
 SCALE: 1"=1'-0"
 ARCH REF: IA7.1

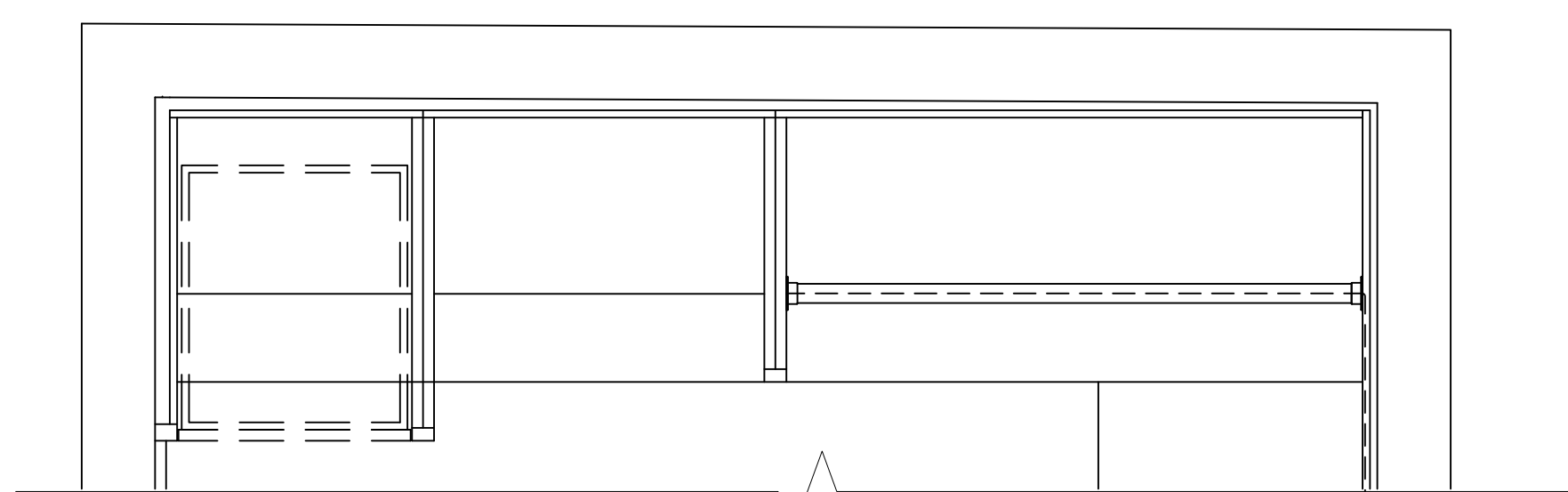


1
4
 ELEVATION - MSTR BDR WIC - C
 SCALE: 1"=1'-0"
 ARCH REF: IA7.1

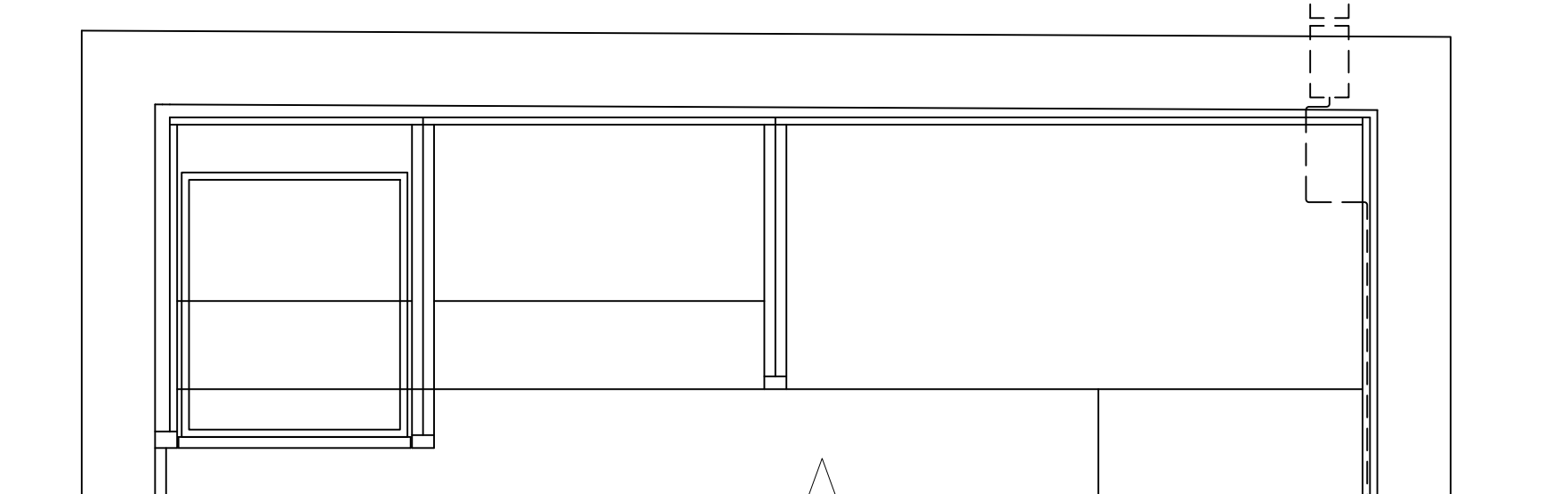
4
4
 SECTION - MSTR BDR WIC - C
 SCALE: 1"=1'-0"
 ARCH REF: IA7.1

5
4
 SECTION - MSTR BDR WIC - C
 SCALE: 1"=1'-0"
 ARCH REF: IA7.1

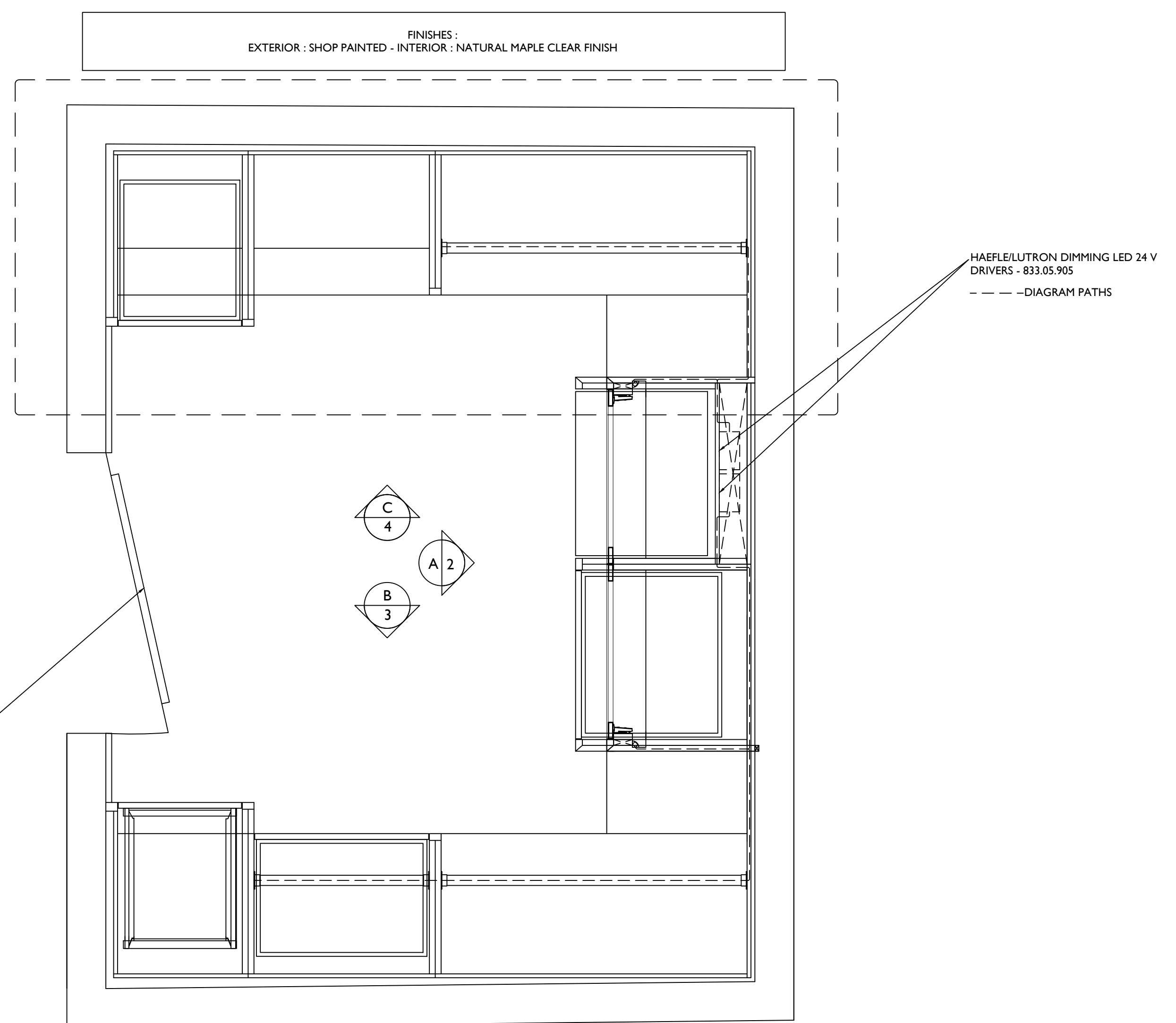
6
4
 SECTION - MSTR BDR WIC - C
 SCALE: 1"=1'-0"
 ARCH REF: IA7.1



2
4
 SECTION - MSTR BDR WIC - C
 SCALE: 1"=1'-0"
 ARCH REF: IA7.1



3
4
 SECTION - MSTR BDR WIC - C
 SCALE: 1"=1'-0"
 ARCH REF: IA7.1



C
4
 PLAN - MSTR BDR WIC - C
 SCALE: 1"=1'-0"
 ARCH REF: IA7.1