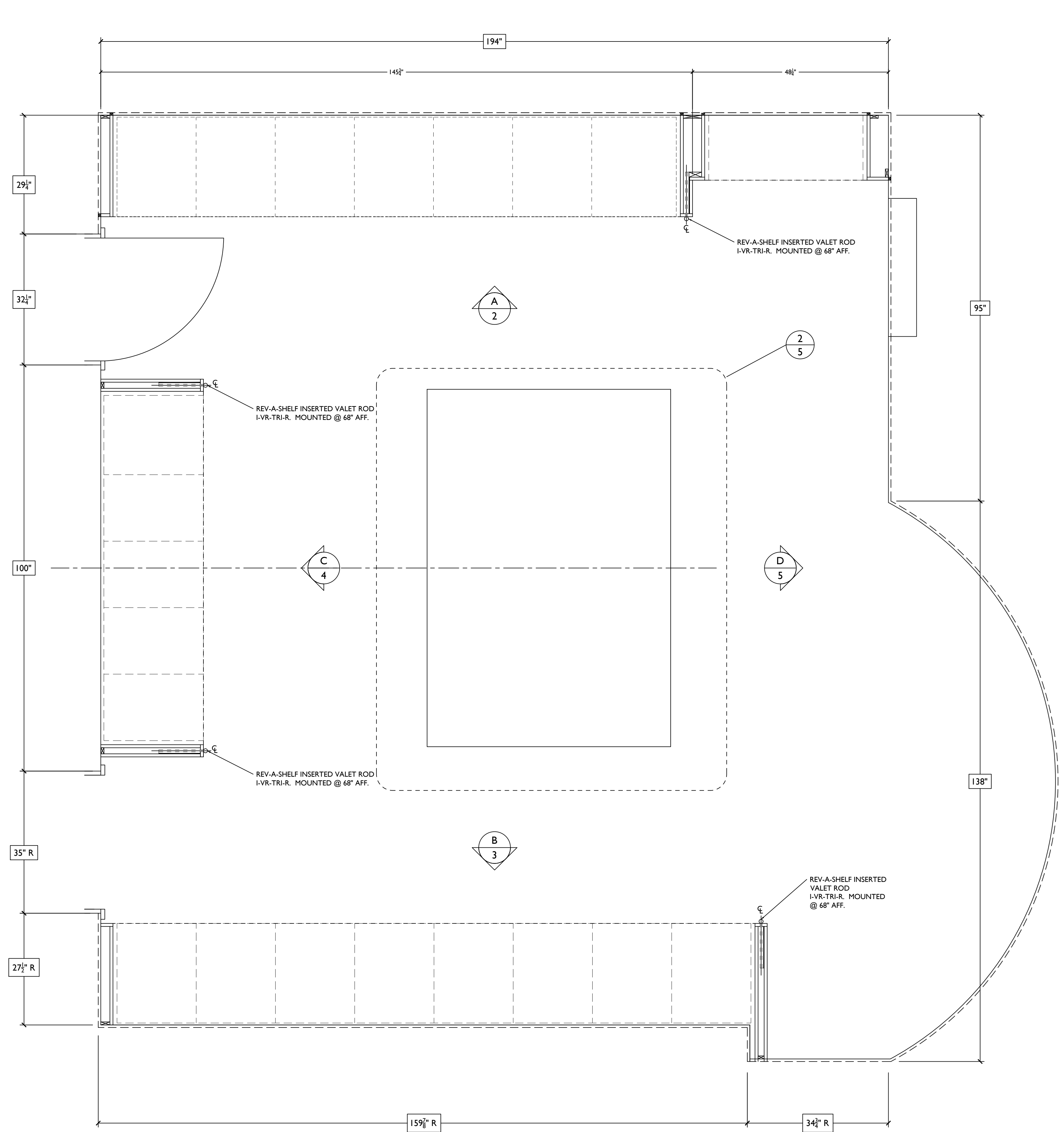
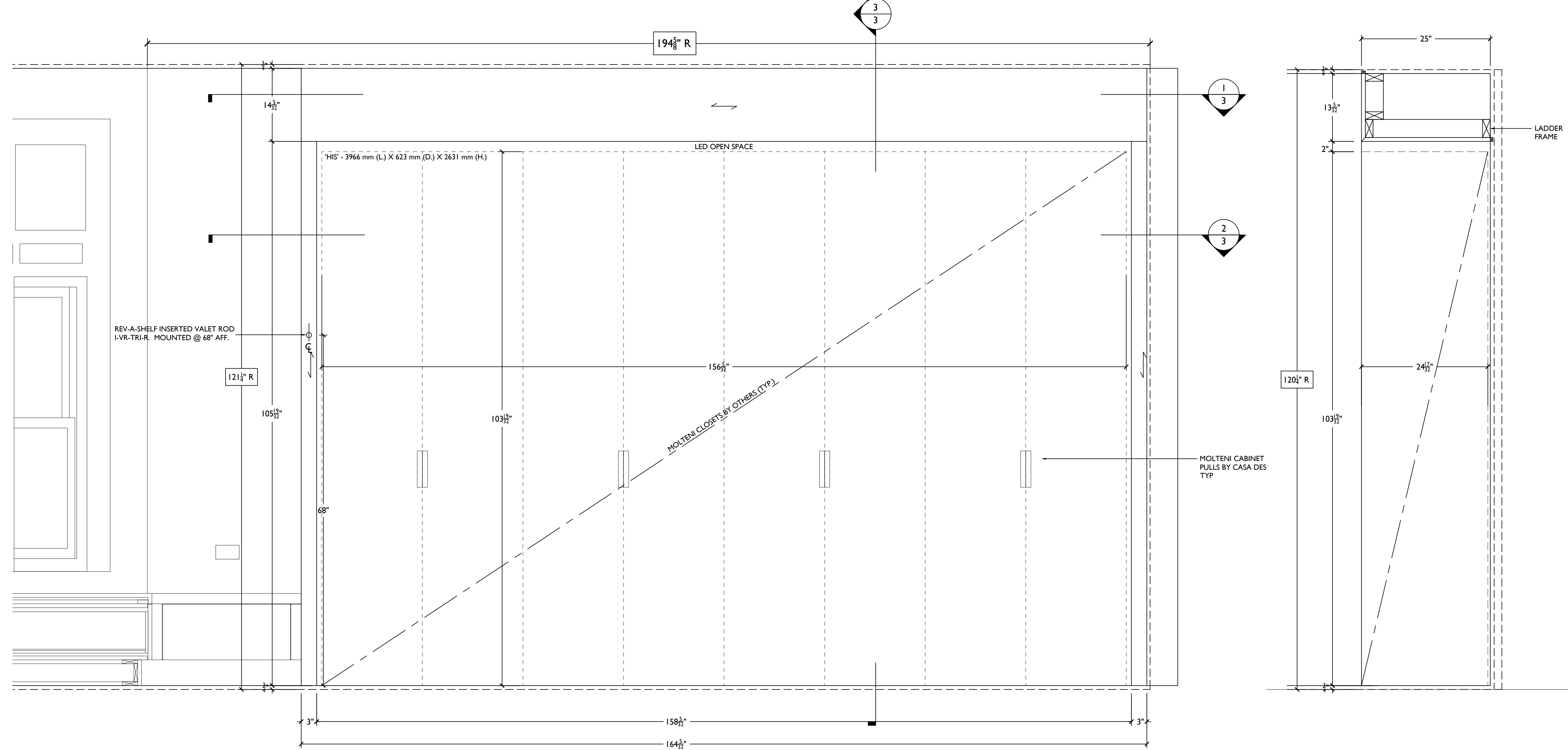


0
1 **SECOND FLOOR KEY PLAN**
SCALE: 1/8" = 1'-0"



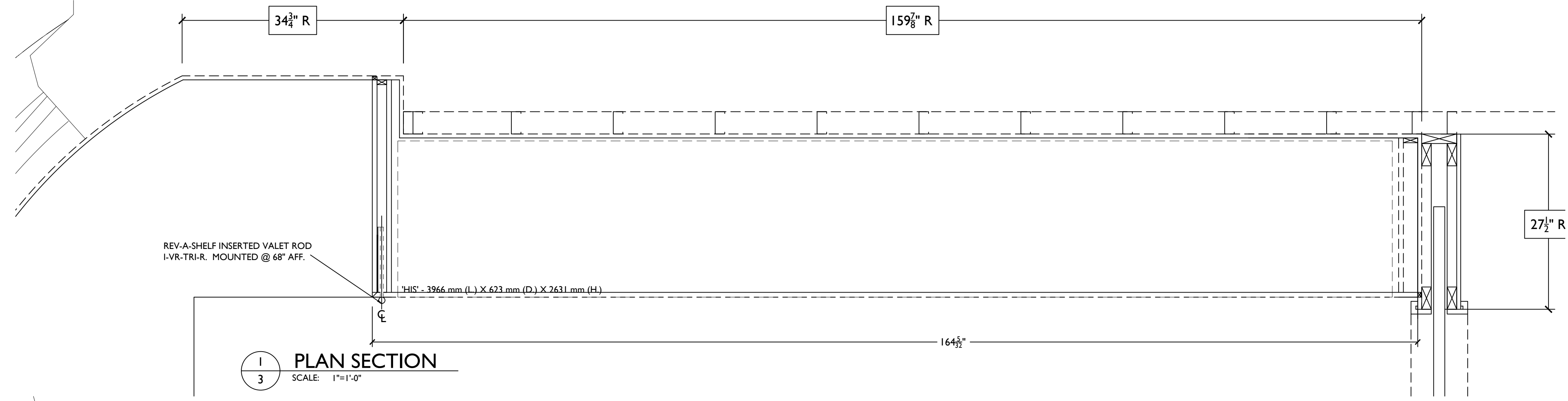
1
1 **DRESSING KEY PLAN**
SCALE: 3/4" = 1'-0"



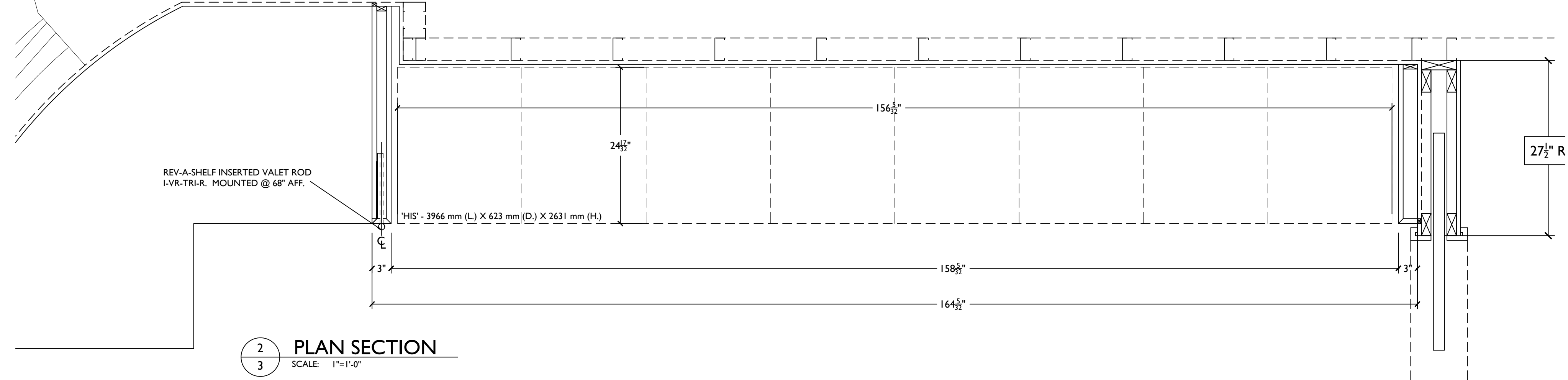
B
3
ELEVATION
SCALE: 1"=1'-0" ARCH REF: 1/AS.23

FINISHES:
EXTERIOR: STAINED RIFT OAK
INTERIORS: PAINTED BLACK FINISH

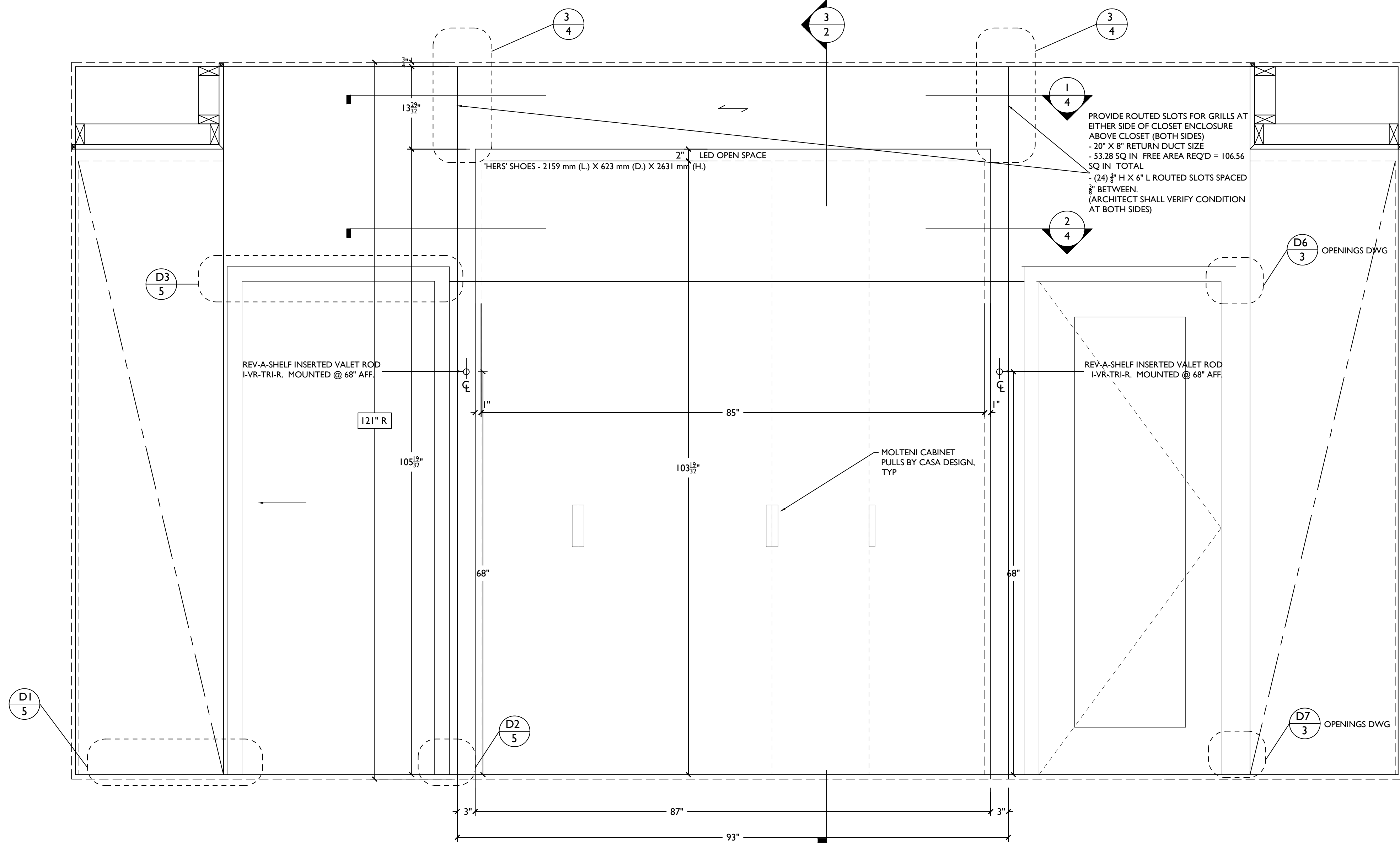
3
3
SECTION
SCALE: 1"=1'-0"



1
3
PLAN SECTION
SCALE: 1"=1'-0"

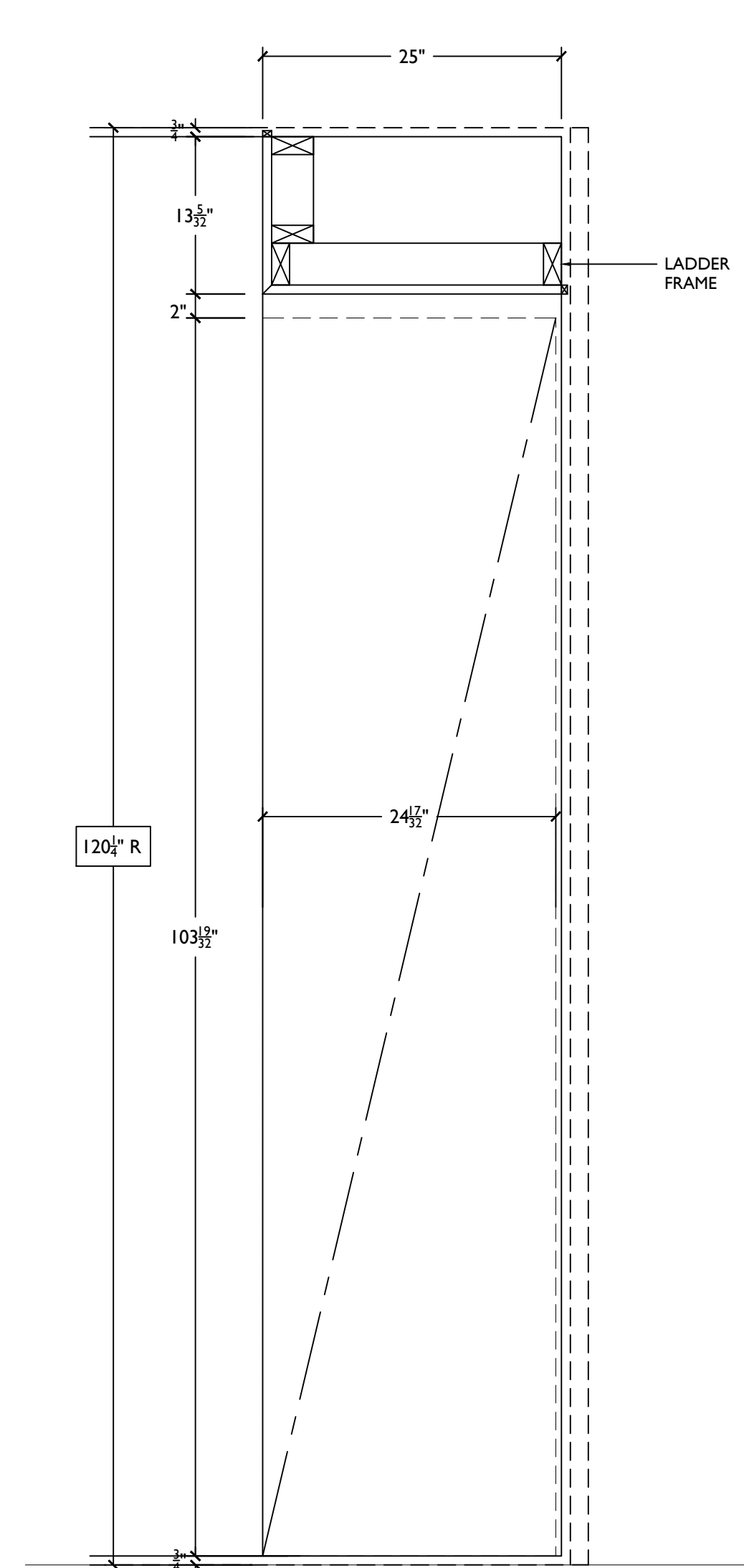


2
3
PLAN SECTION
SCALE: 1"=1'-0"

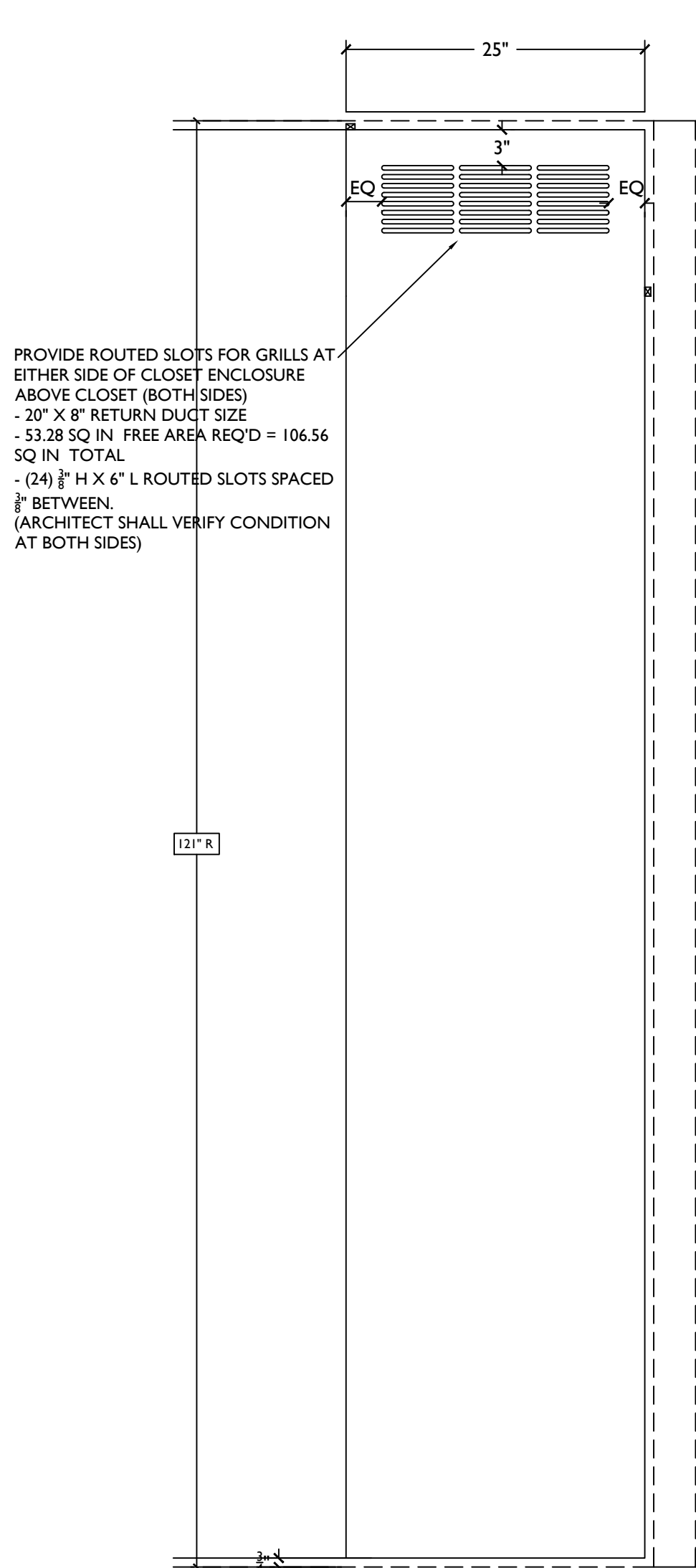


ELEVATION
SCALE: 1"=1'-0" ARCH REF: 4/A5.23

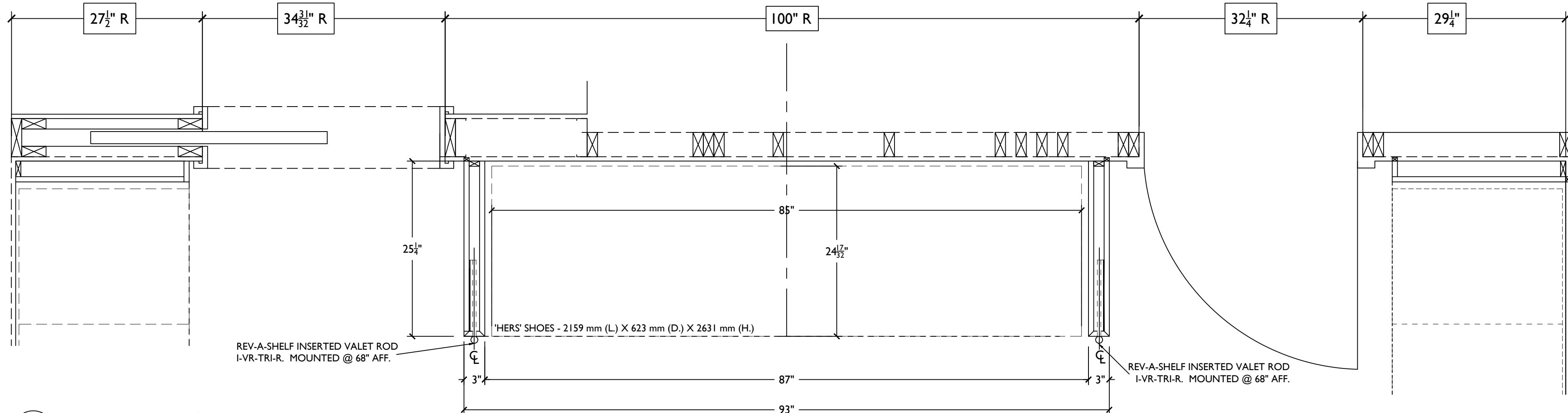
FINISHES:
EXTERIOR: STAINED RIFT OAK
INTERIORS: PAINTED BLACK FINISH



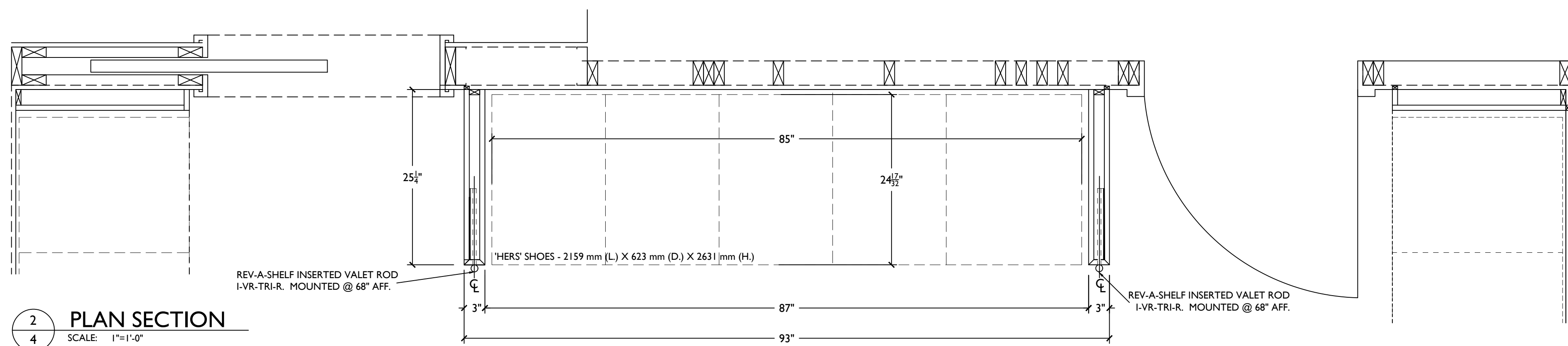
SECTION
SCALE: 1"=1'-0"



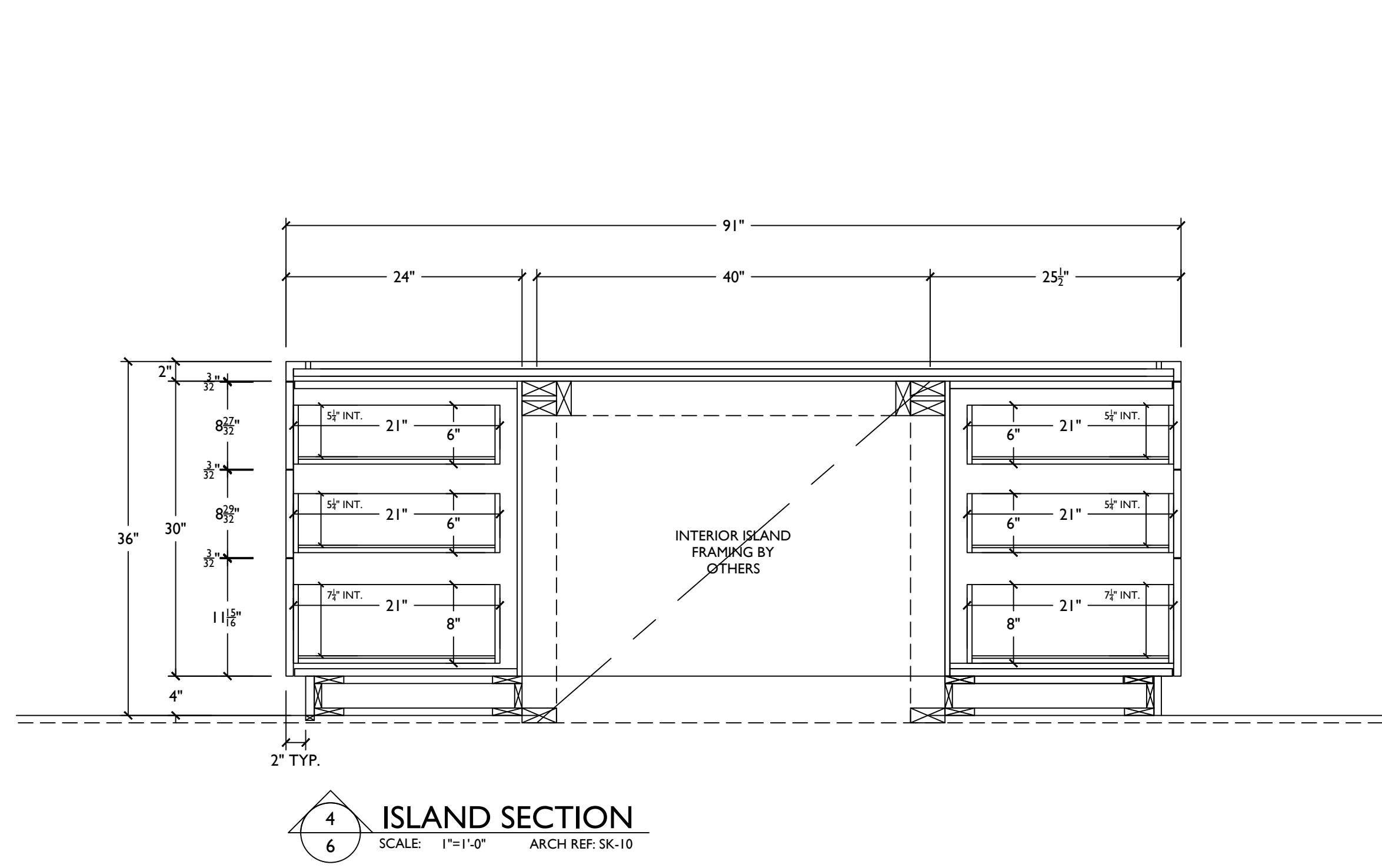
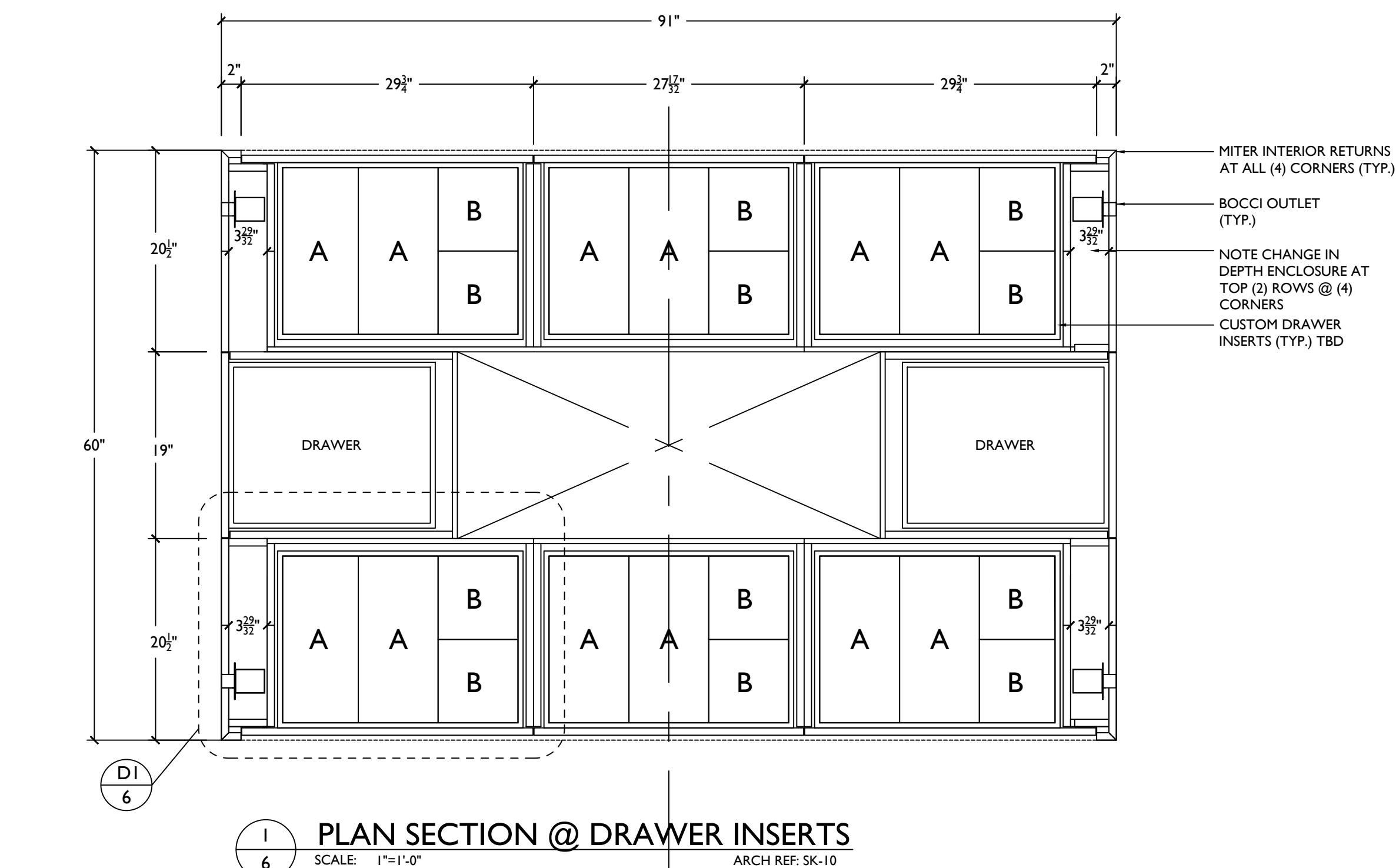
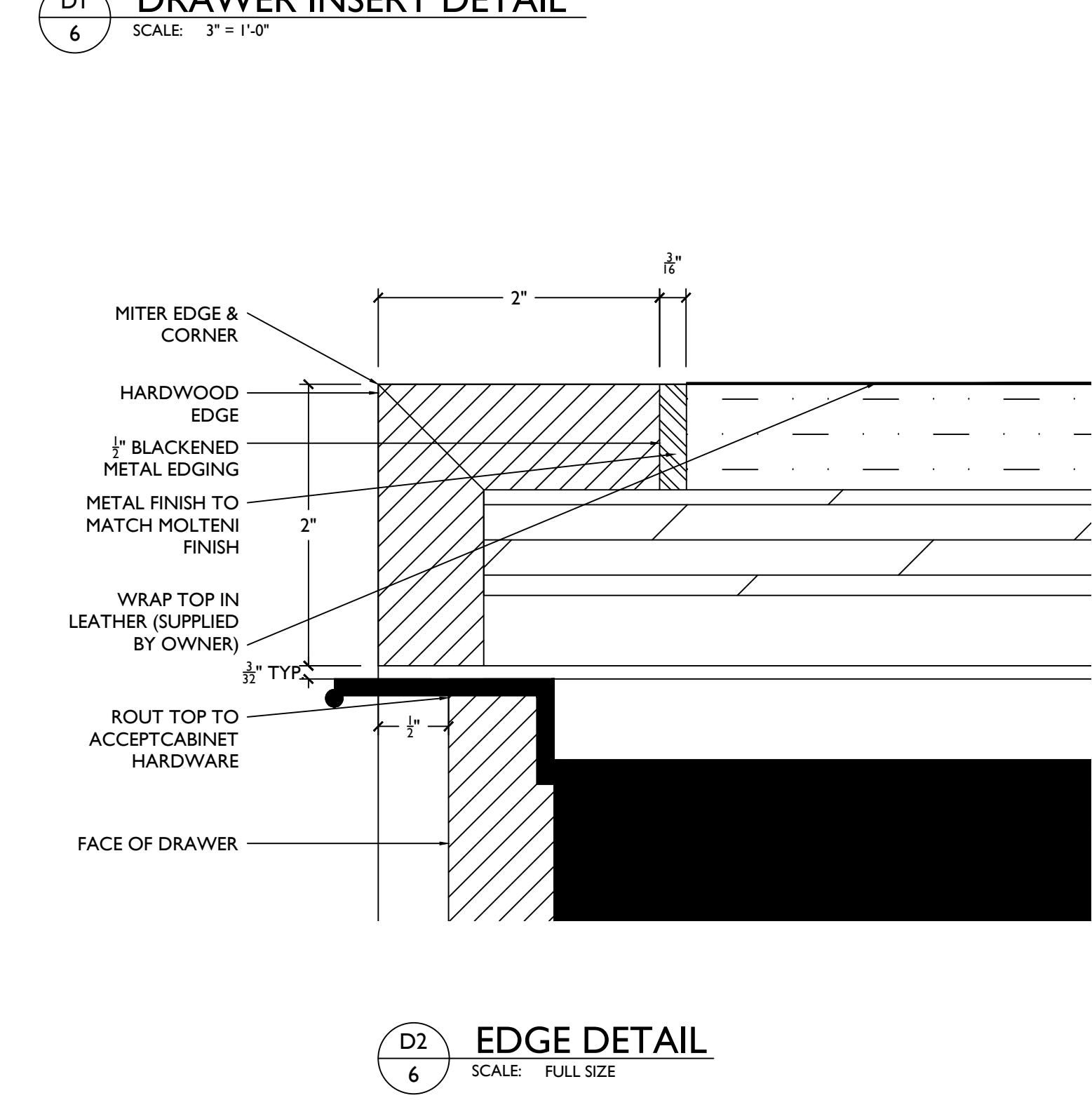
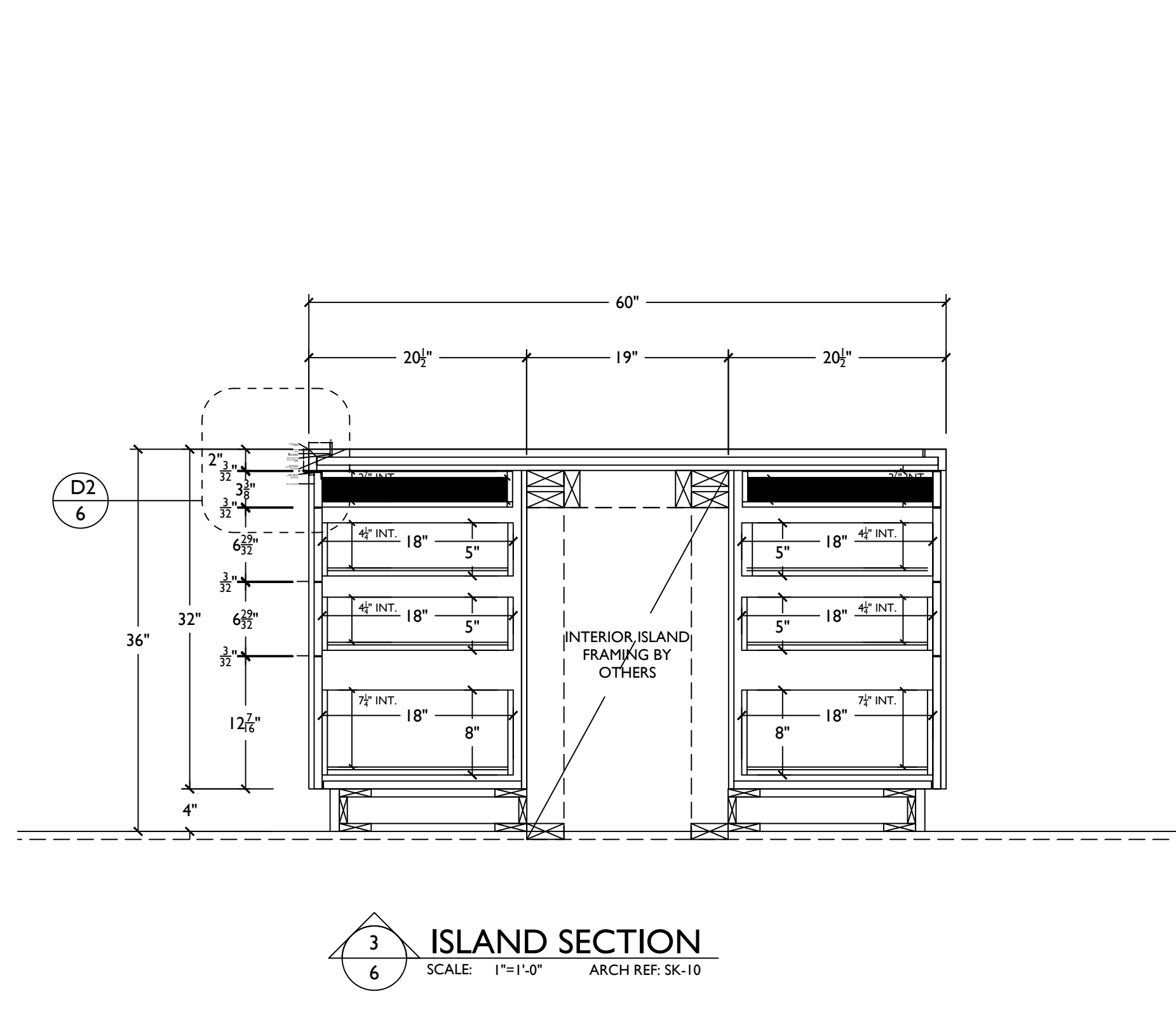
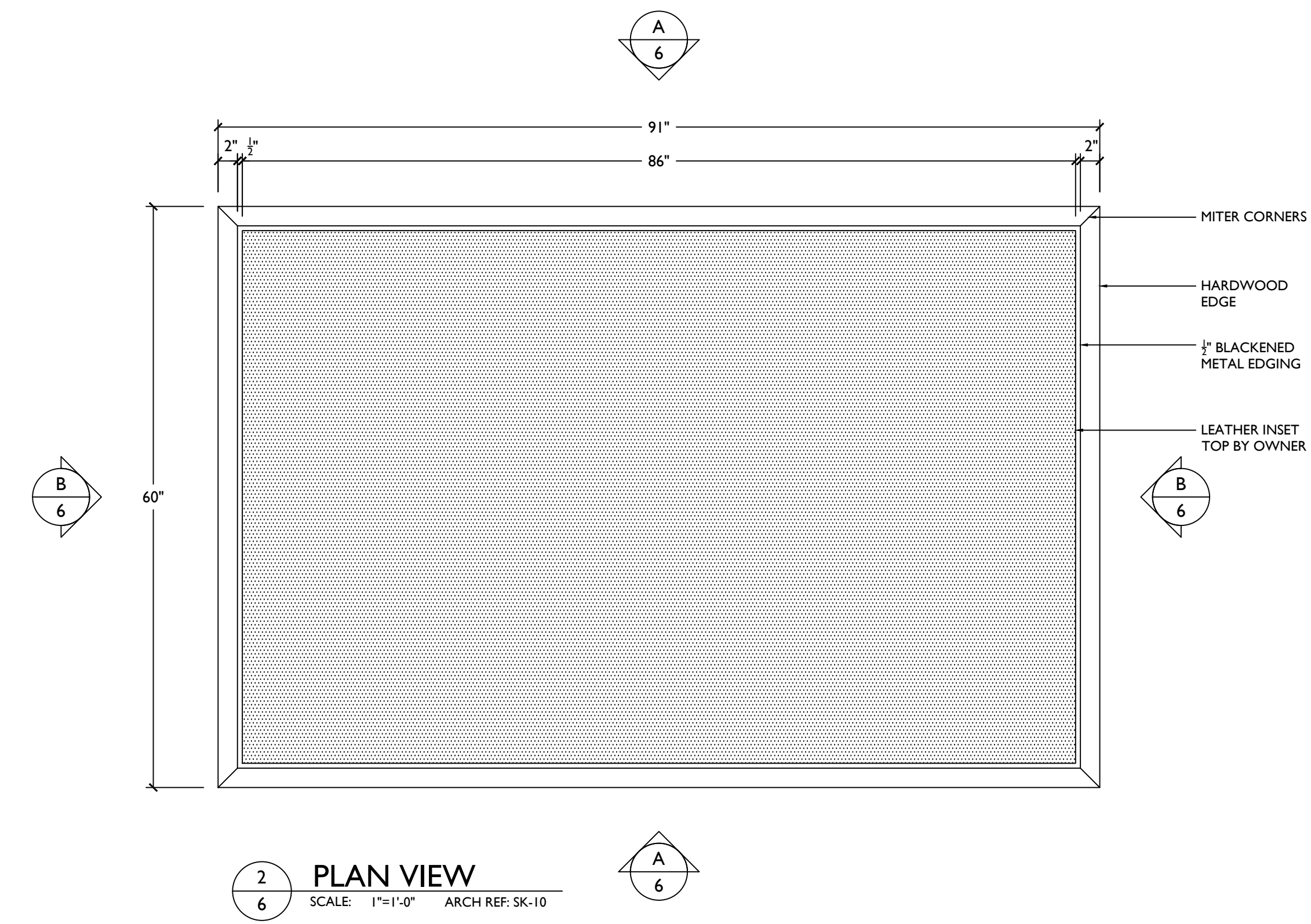
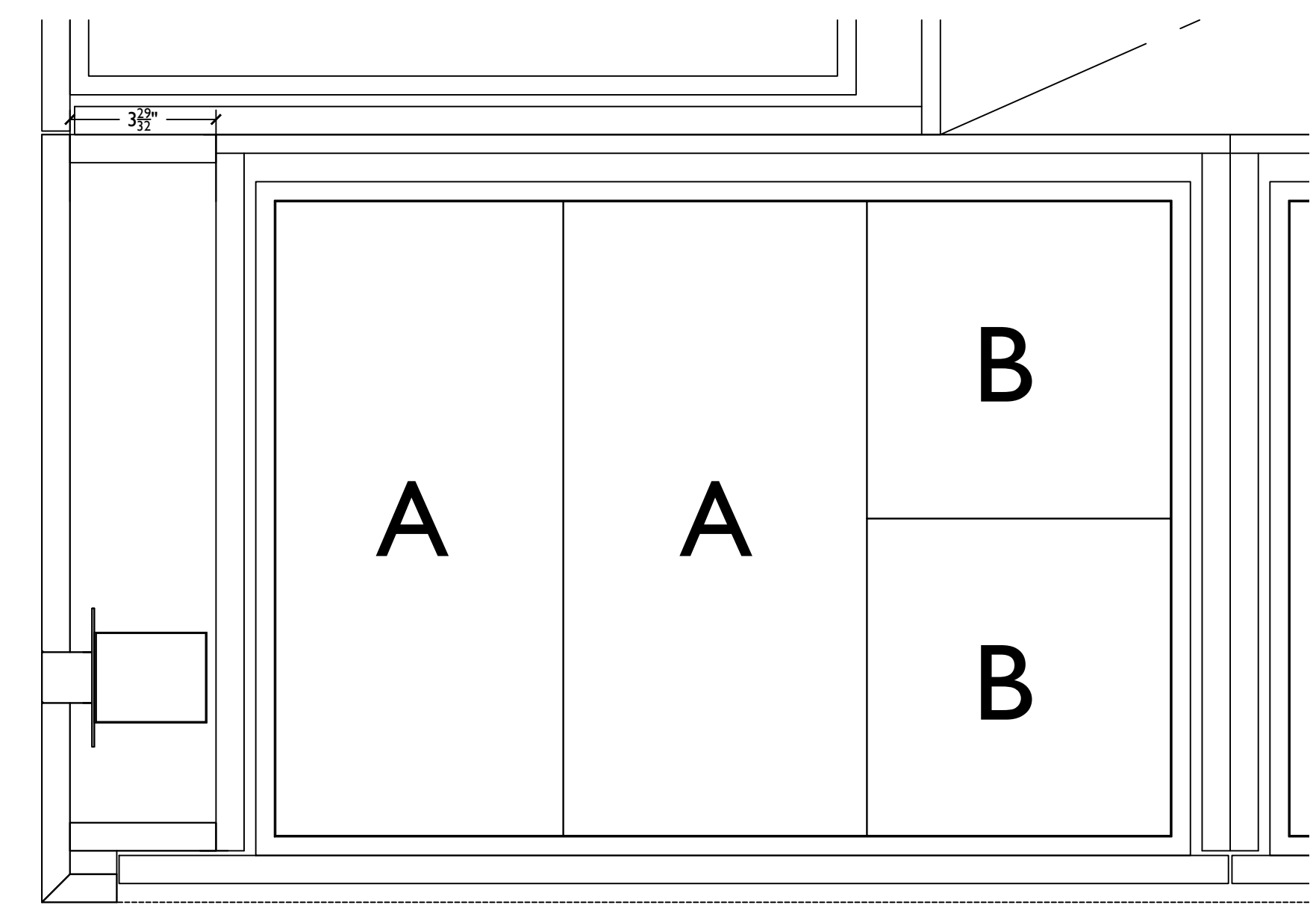
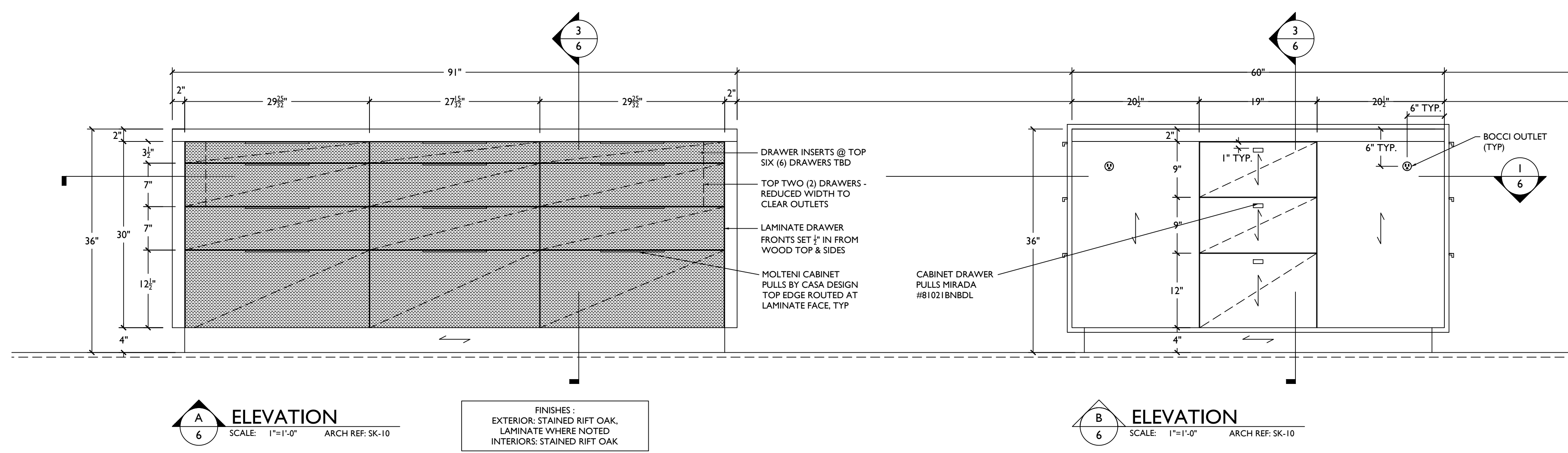
SIDE ELEVATION
SCALE: 1"=1'-0"

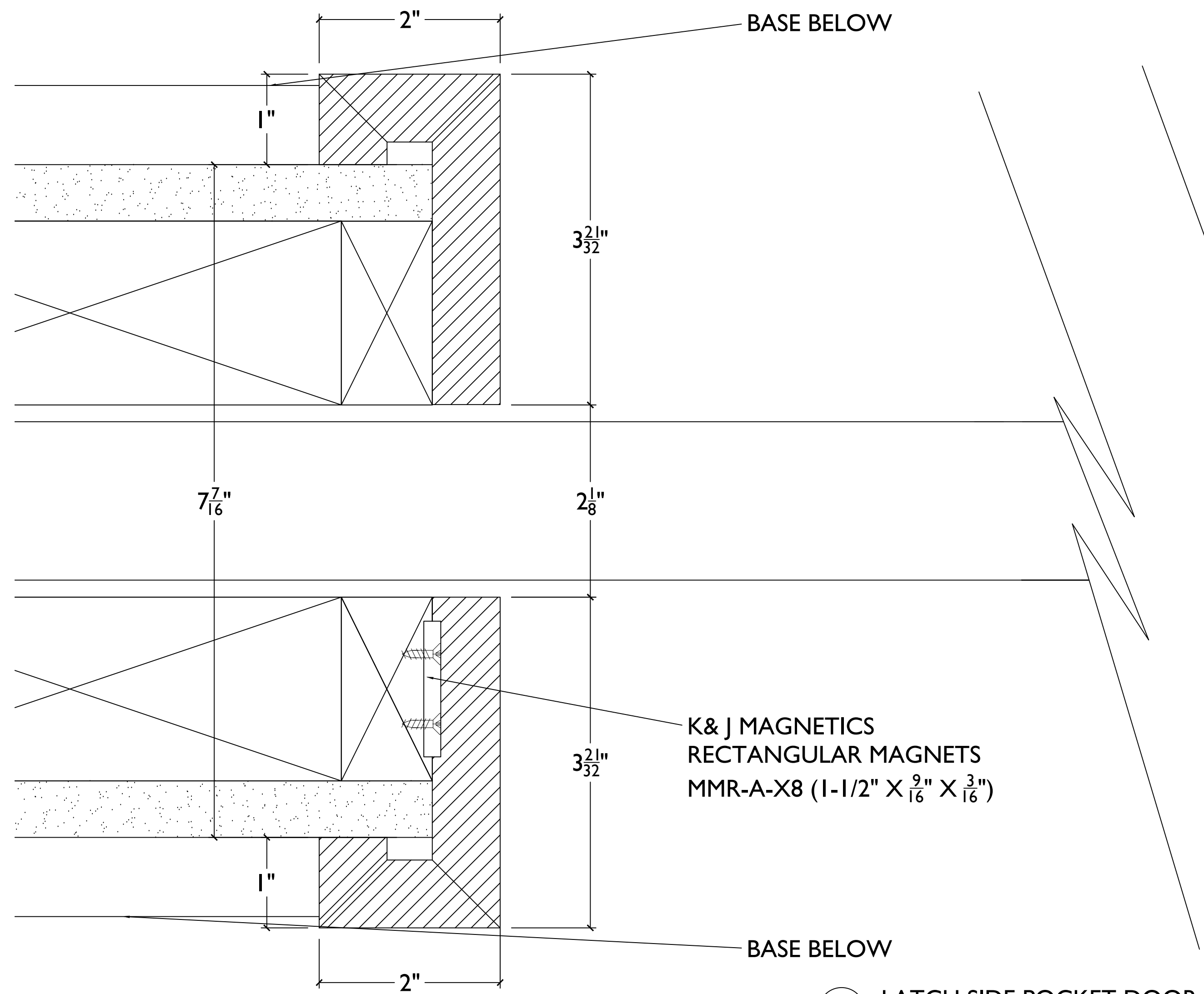


PLAN SECTION
SCALE: 1"=1'-0"

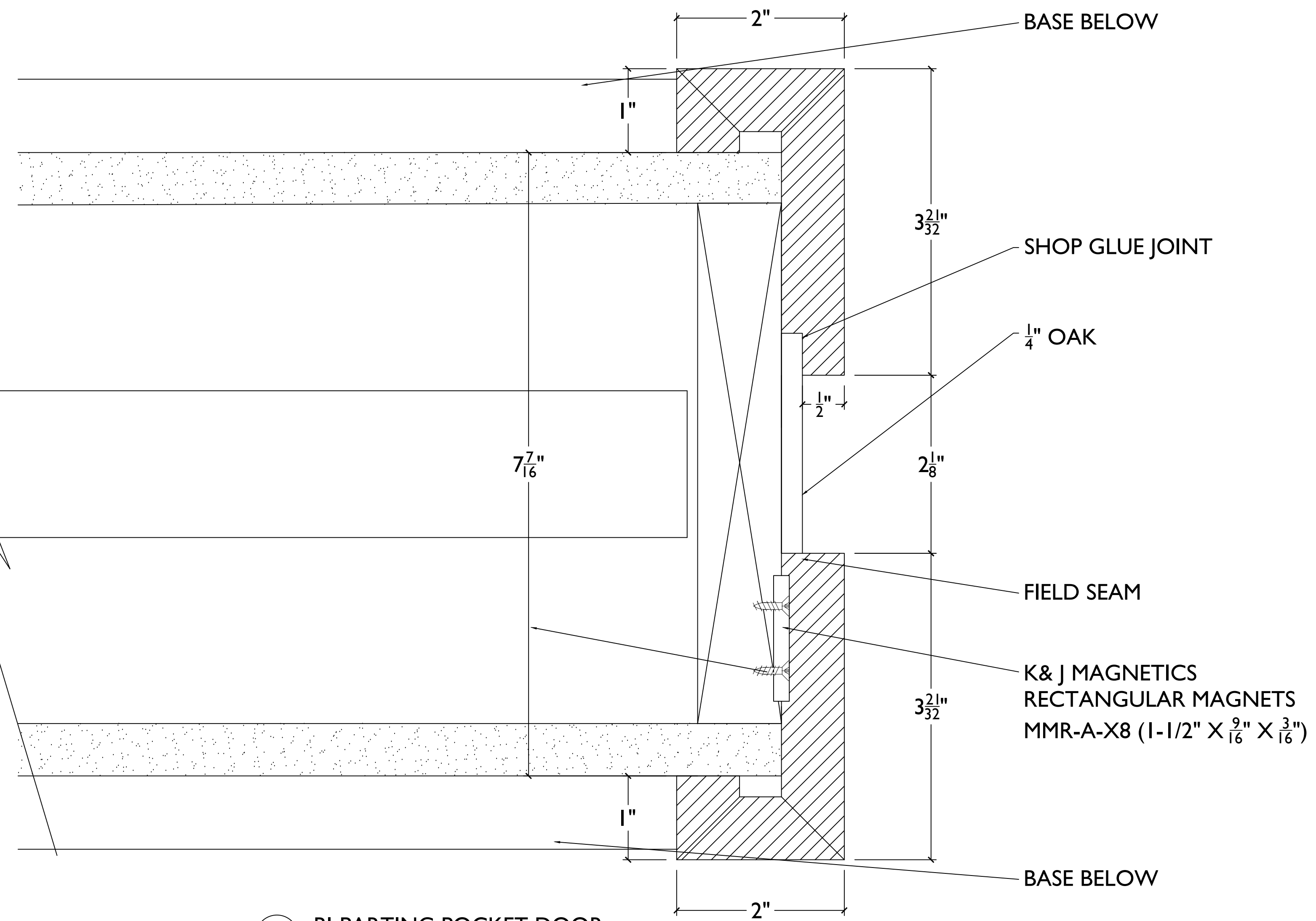


PLAN SECTION
SCALE: 1"=1'-0"

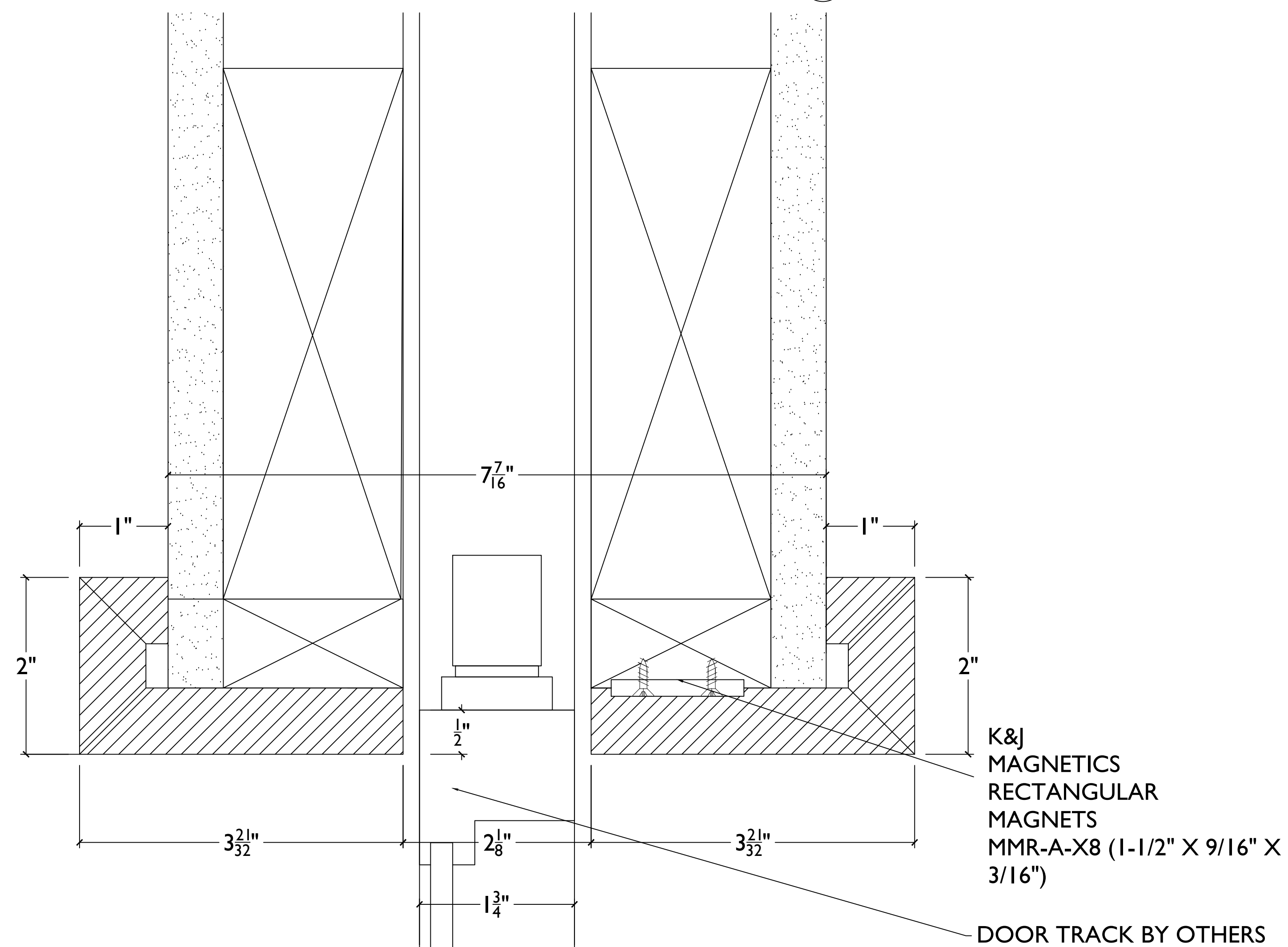




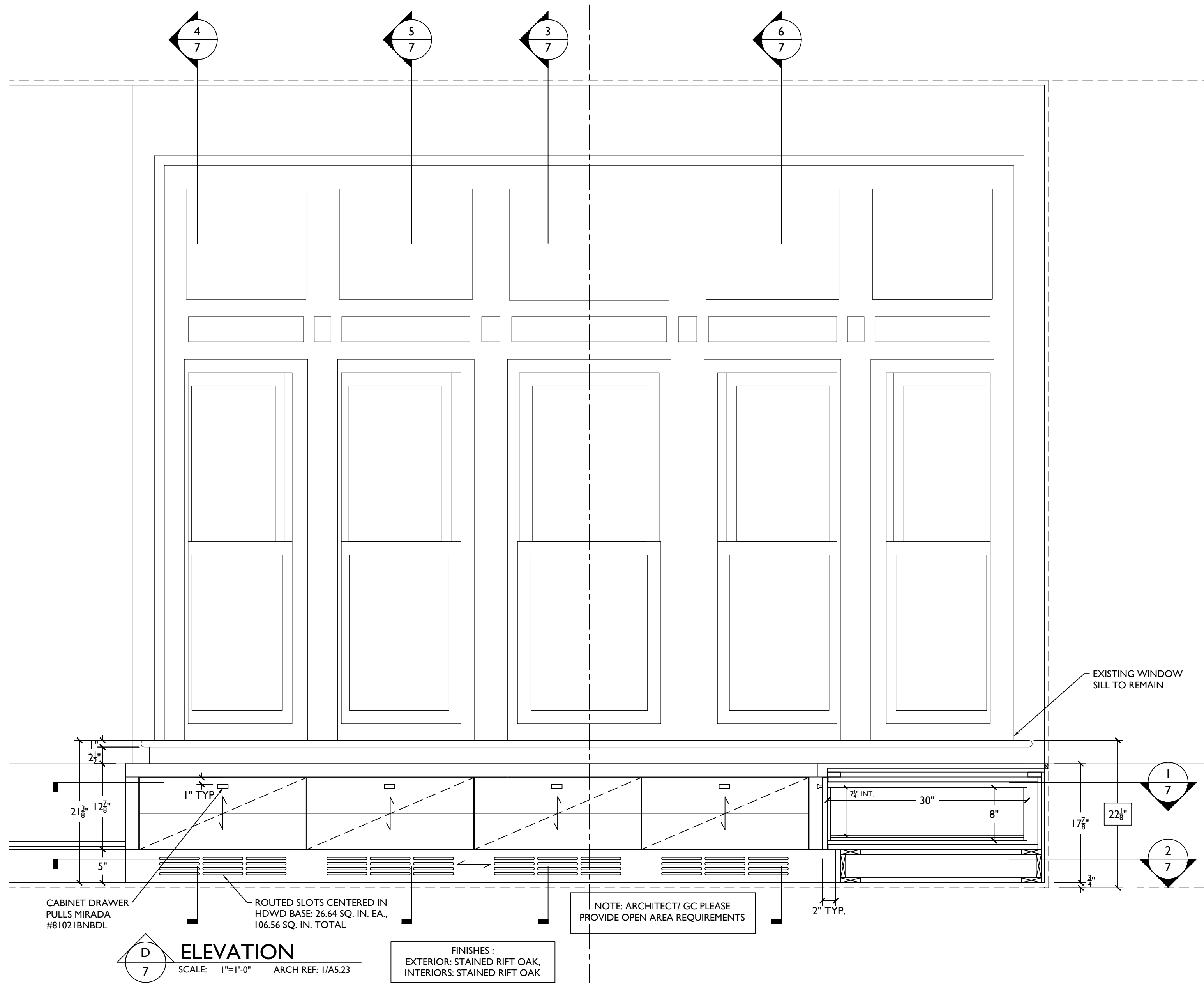
D1
 5
 LATCH SIDE POCKET DOOR
 SCALE: FULL SIZE



D2
 5
 BI-PARTING POCKET DOOR
 SCALE: FULL SIZE

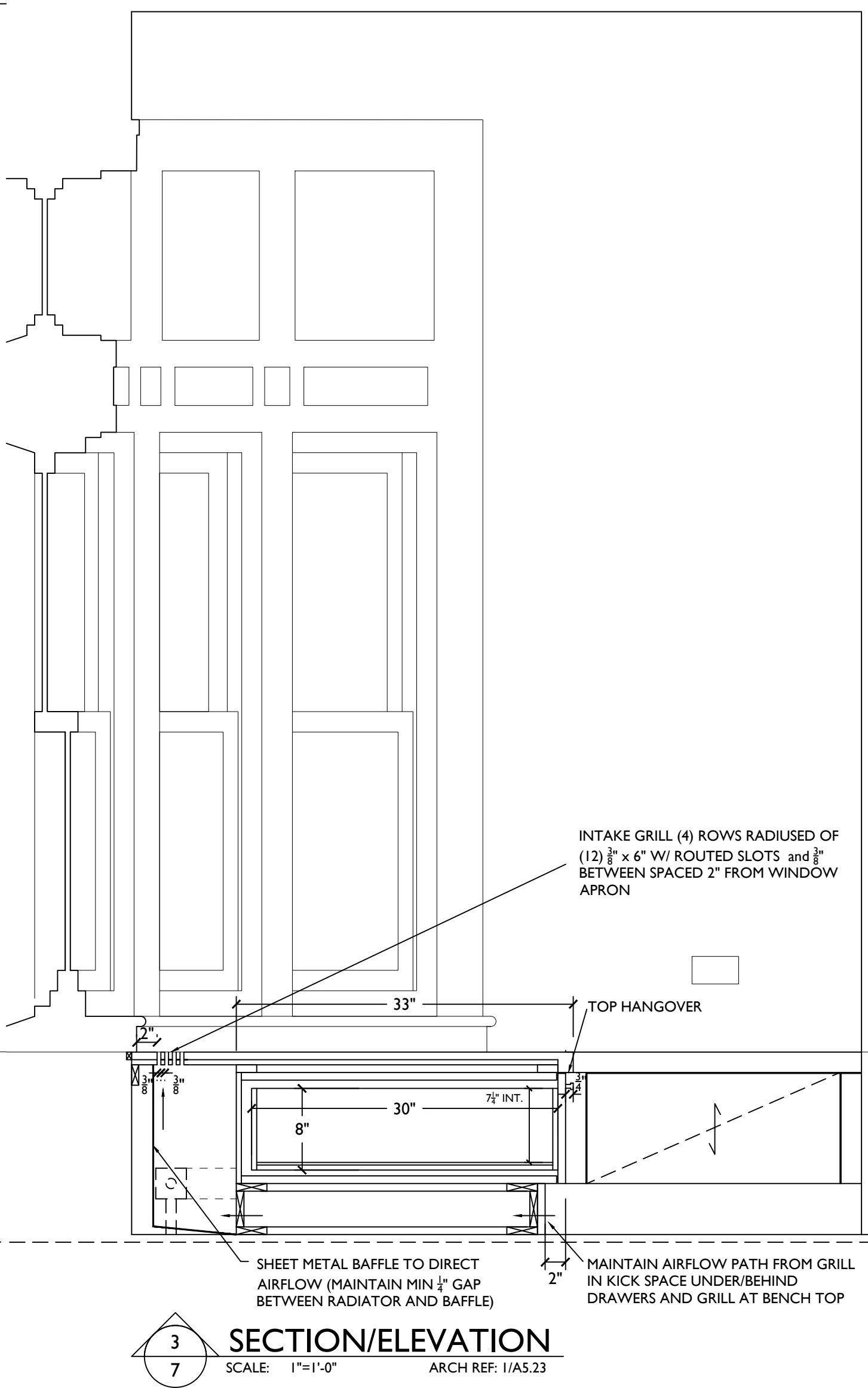


D3
 5
 HEAD JAMB DETAIL AT POCKET DOOR
 SCALE: FULL SIZE

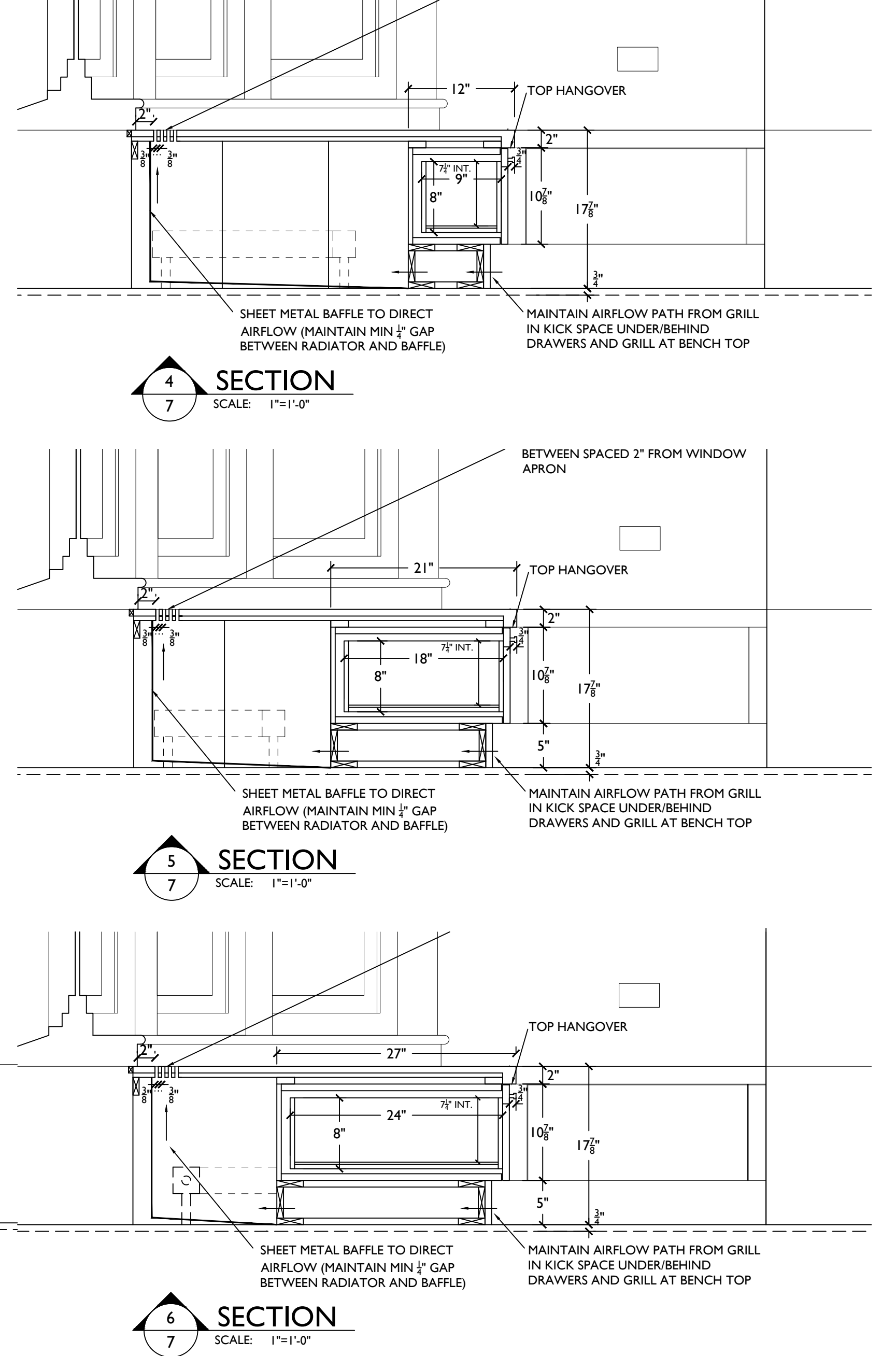


ELEVATION
SCALE: 1"=1'-0" ARCH REF: 1/A5.23

FINISHES:
EXTERIOR: STAINED RIFT OAK,
INTERIORS: STAINED RIFT OAK



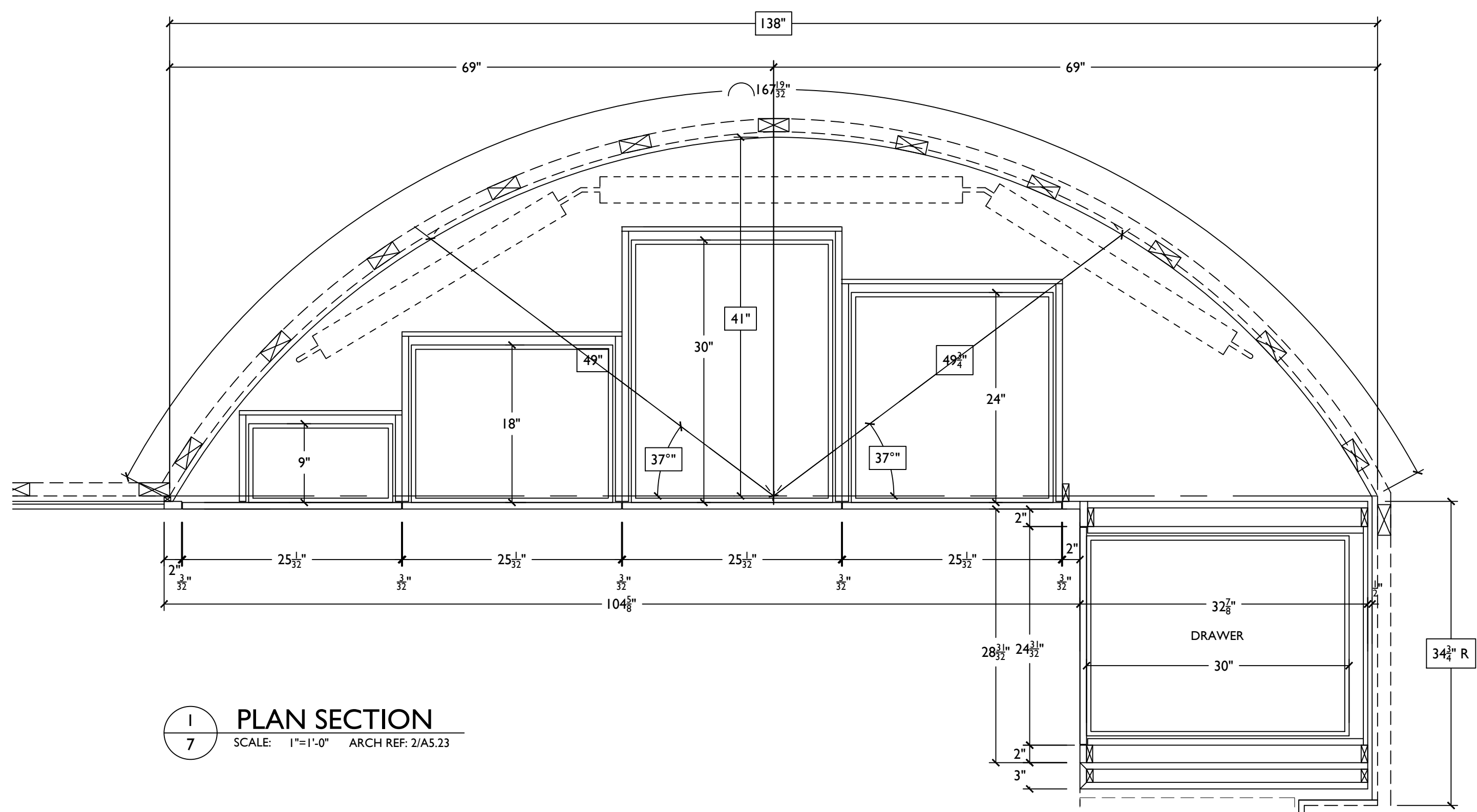
SECTION/ELEVATION
SCALE: 1"=1'-0" ARCH REF: 1/A5.23



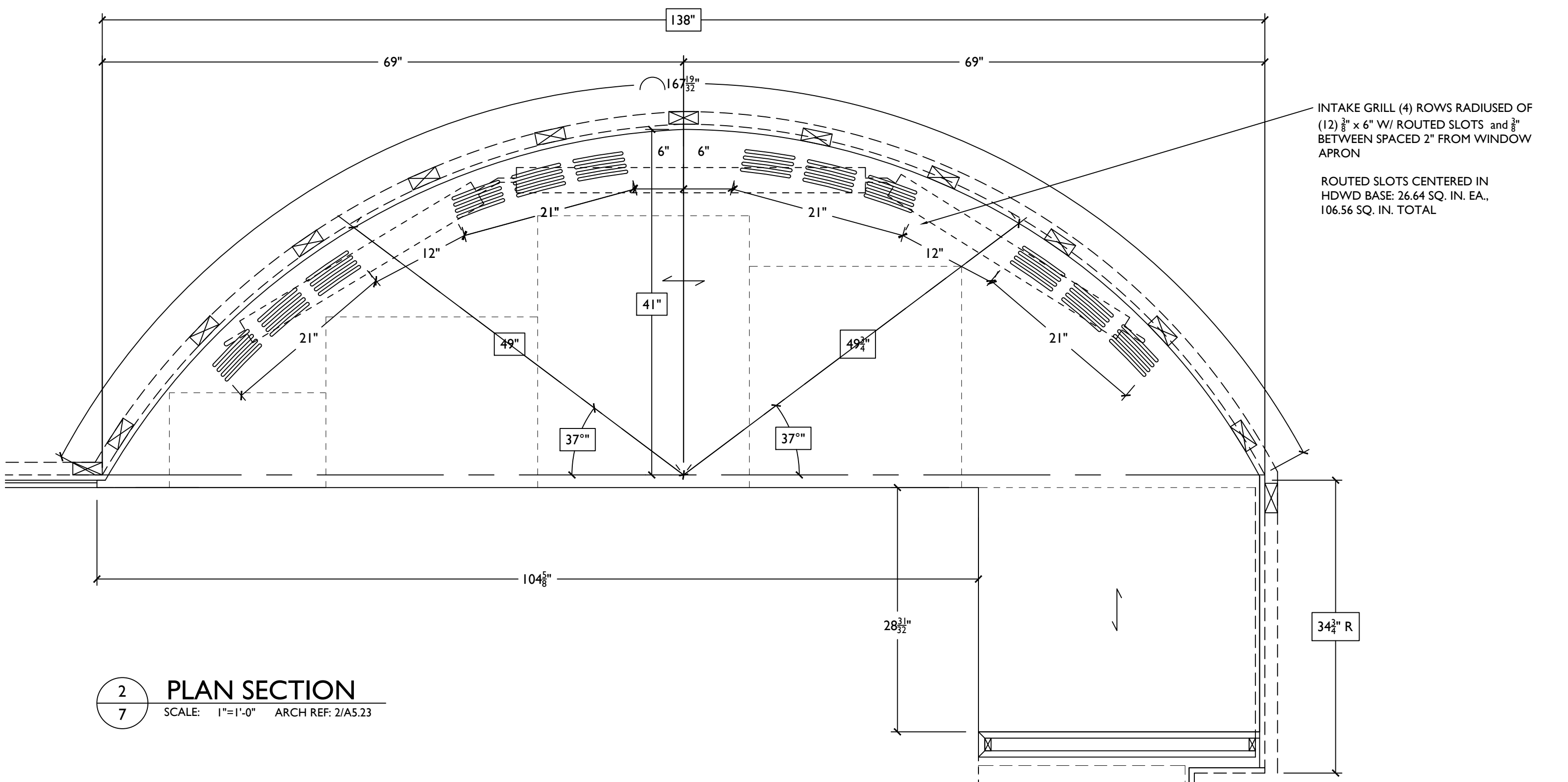
SECTION
SCALE: 1"=1'-0"

SECTION
SCALE: 1"=1'-0"

SECTION
SCALE: 1"=1'-0"



PLAN SECTION
SCALE: 1"=1'-0" ARCH REF: 2/A5.23



PLAN SECTION
SCALE: 1"=1'-0" ARCH REF: 2/A5.23