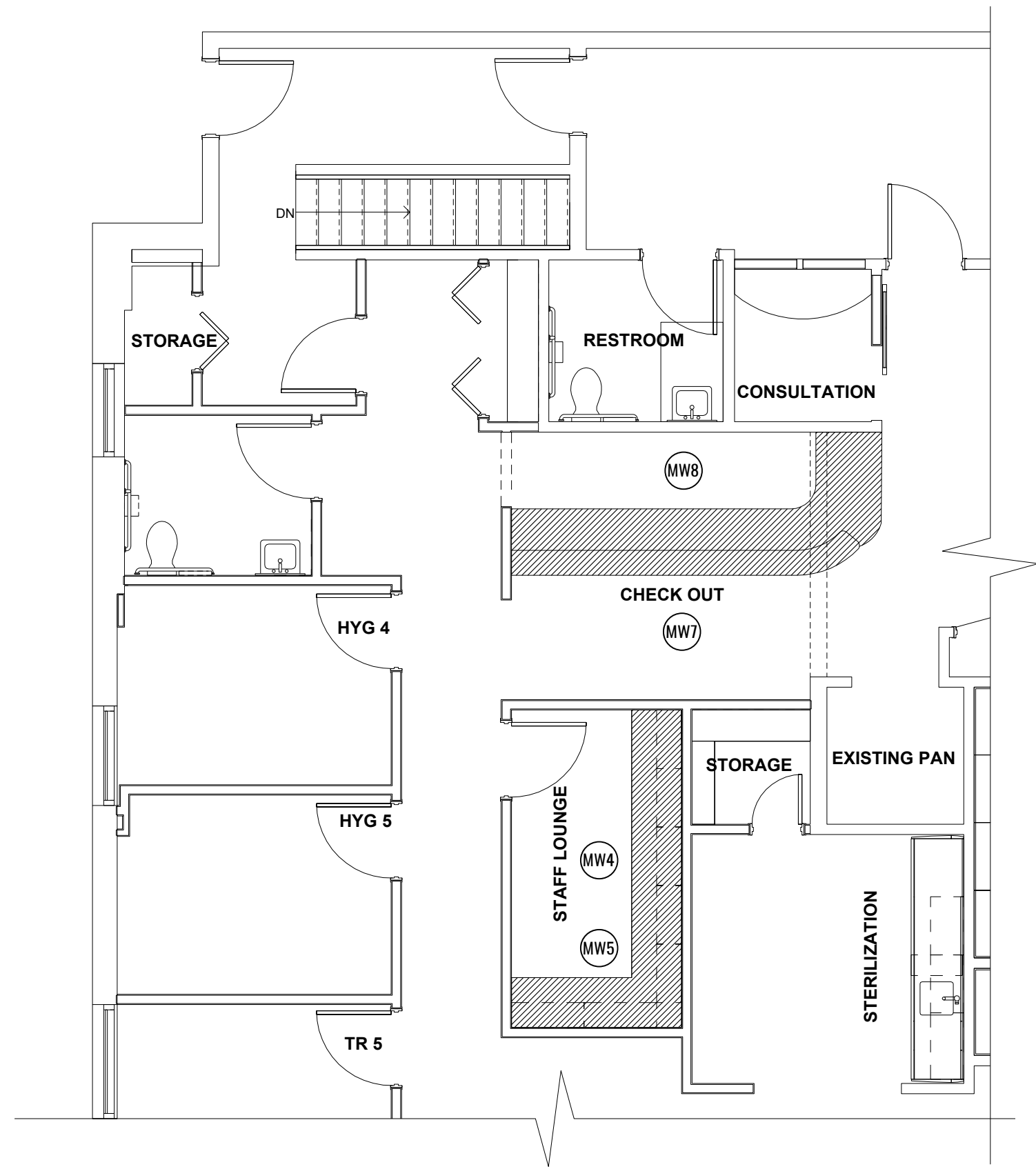
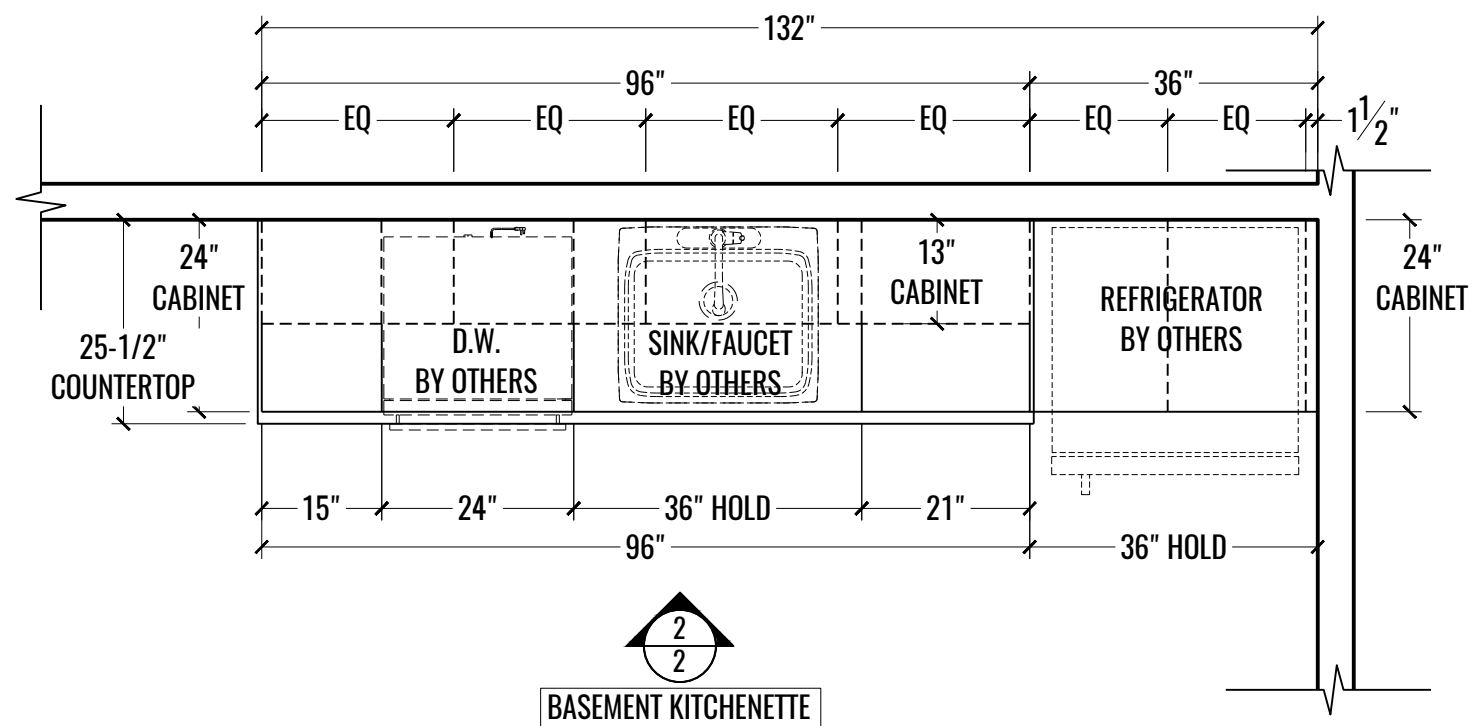


BASEMENT



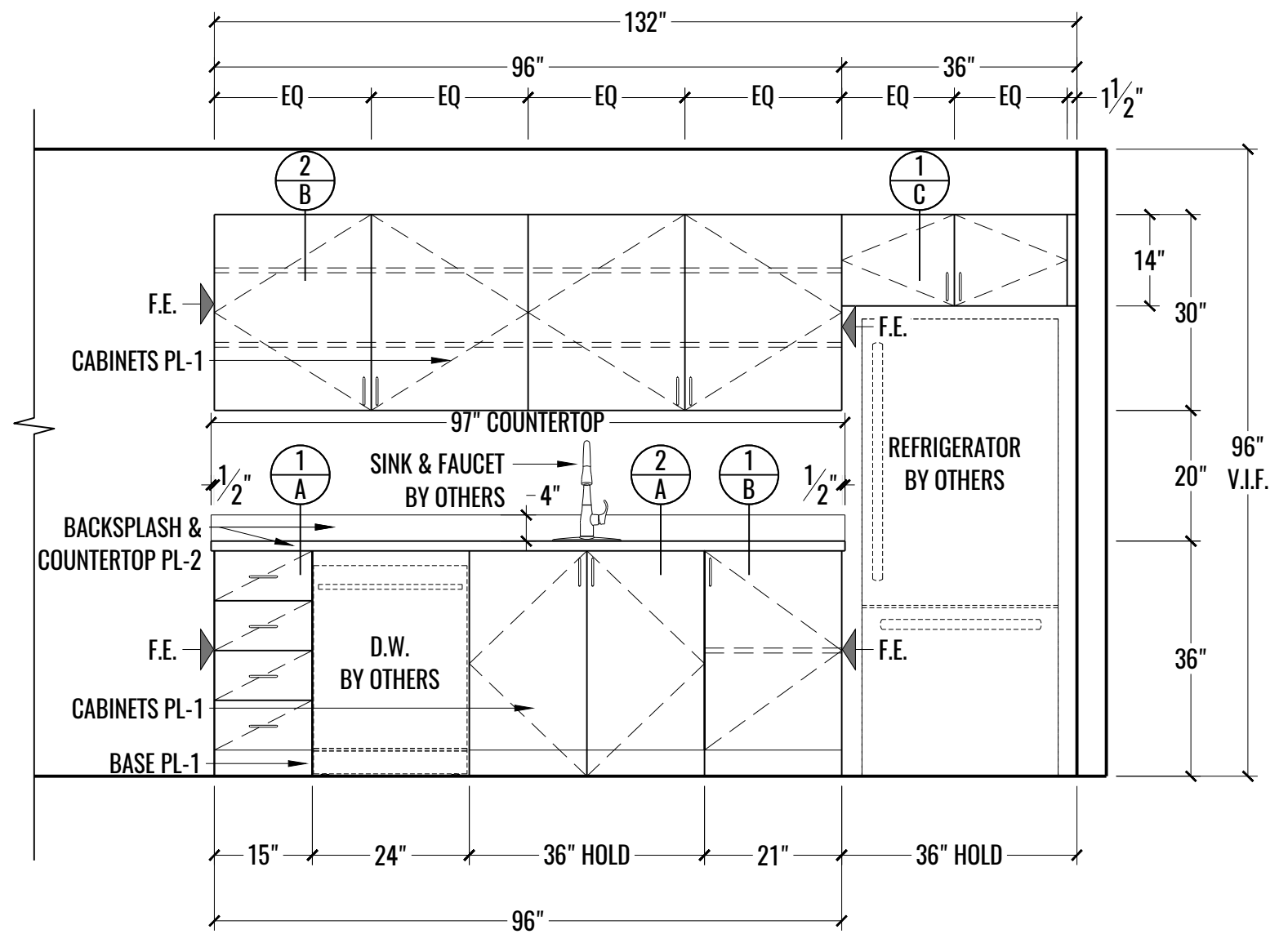
FIRST FLOOR

1 PLAN: PROJECT SCOPE - BASEMENT & FIRST FLOOR
 1 SCALE: NOT TO SCALE

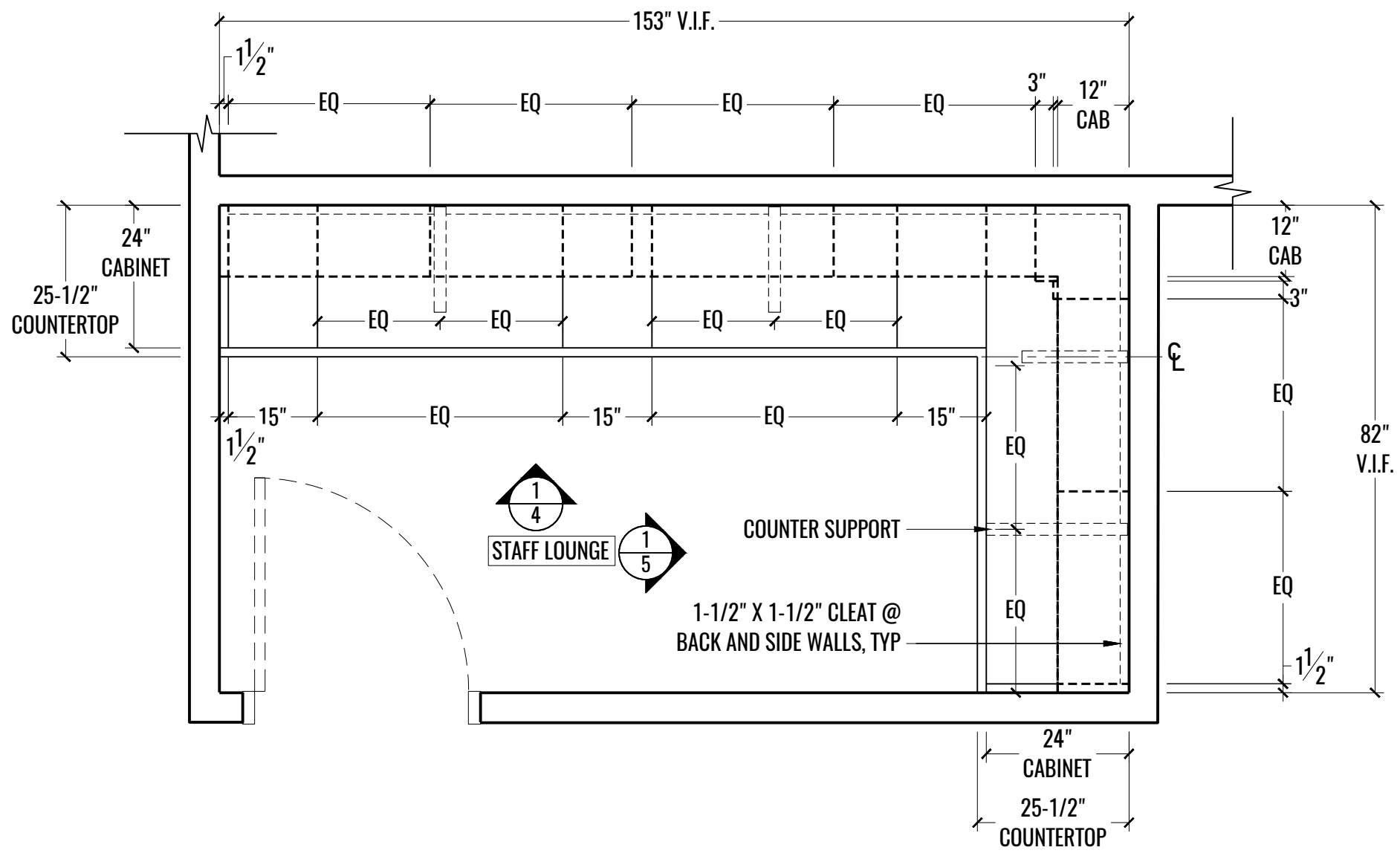


2
2
BASEMENT KITCHENETTE

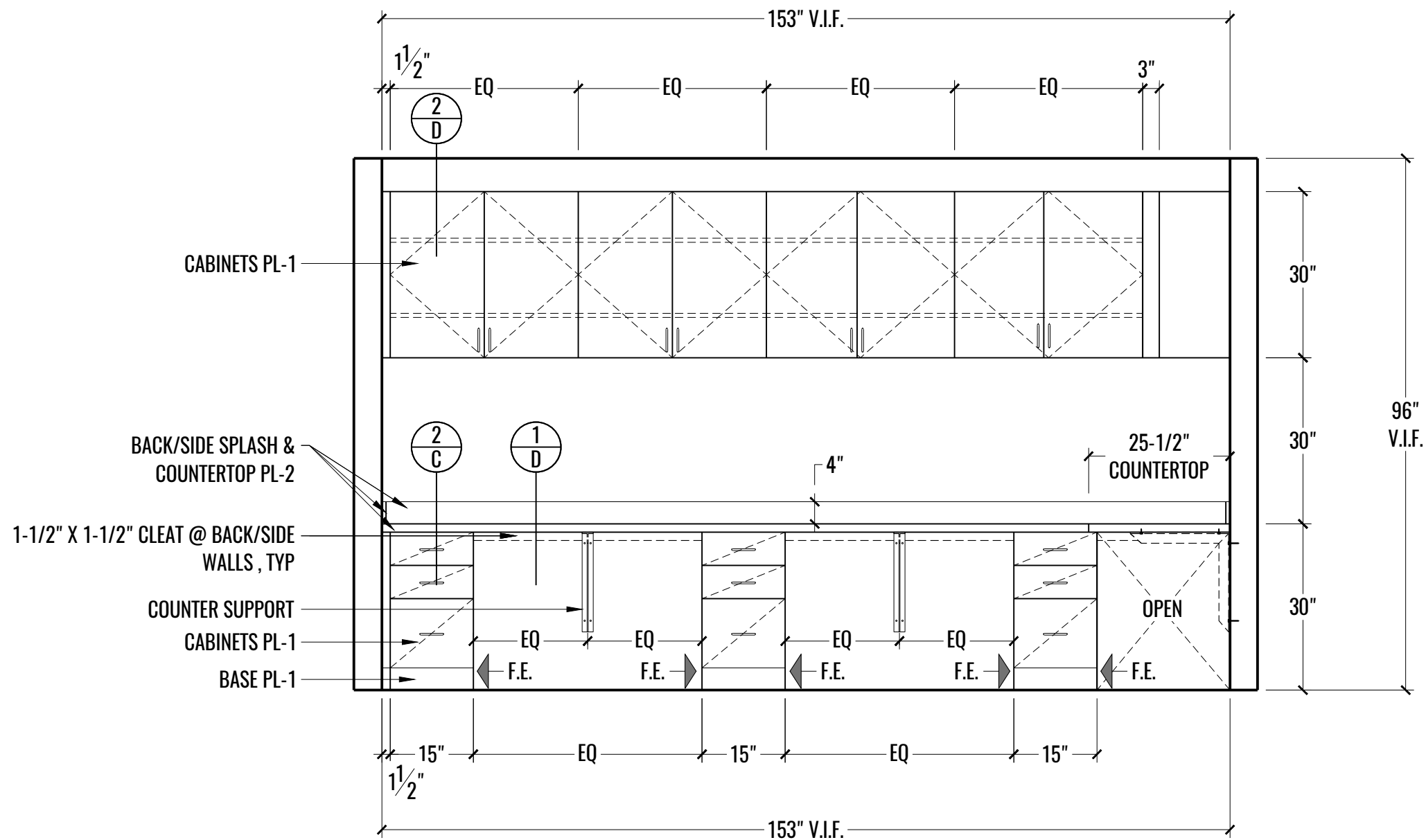
1 PLAN: BASEMENT KITCHENETTE
2 SCALE: 1/2" = 1'-0"



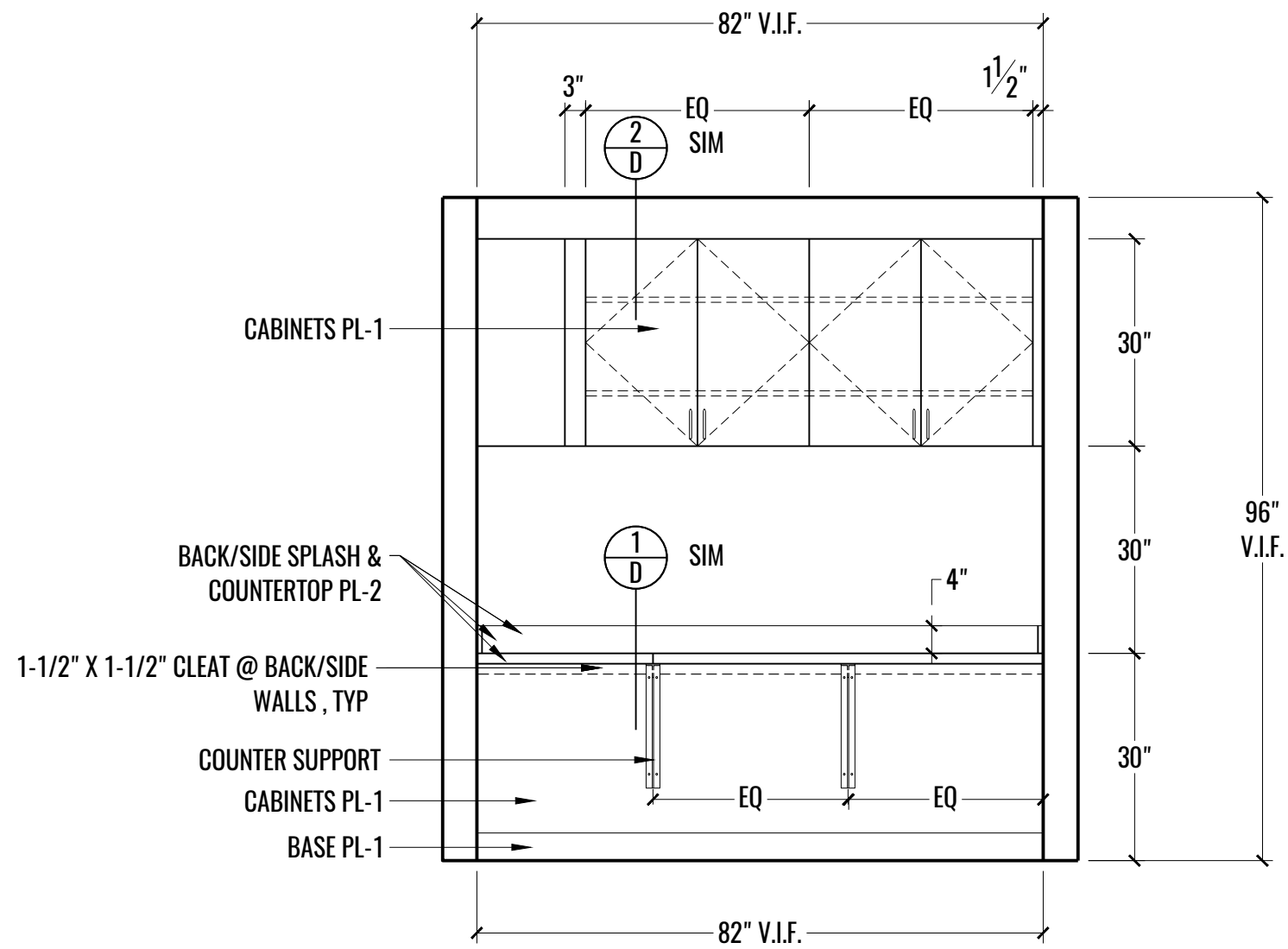
2 ELEVATION: BASEMENT KITCHENETTE
2 SCALE: 1/2" = 1'-0"



1 PLAN: STAFF LOUNGE
 3 SCALE: 1/2" = 1'-0"



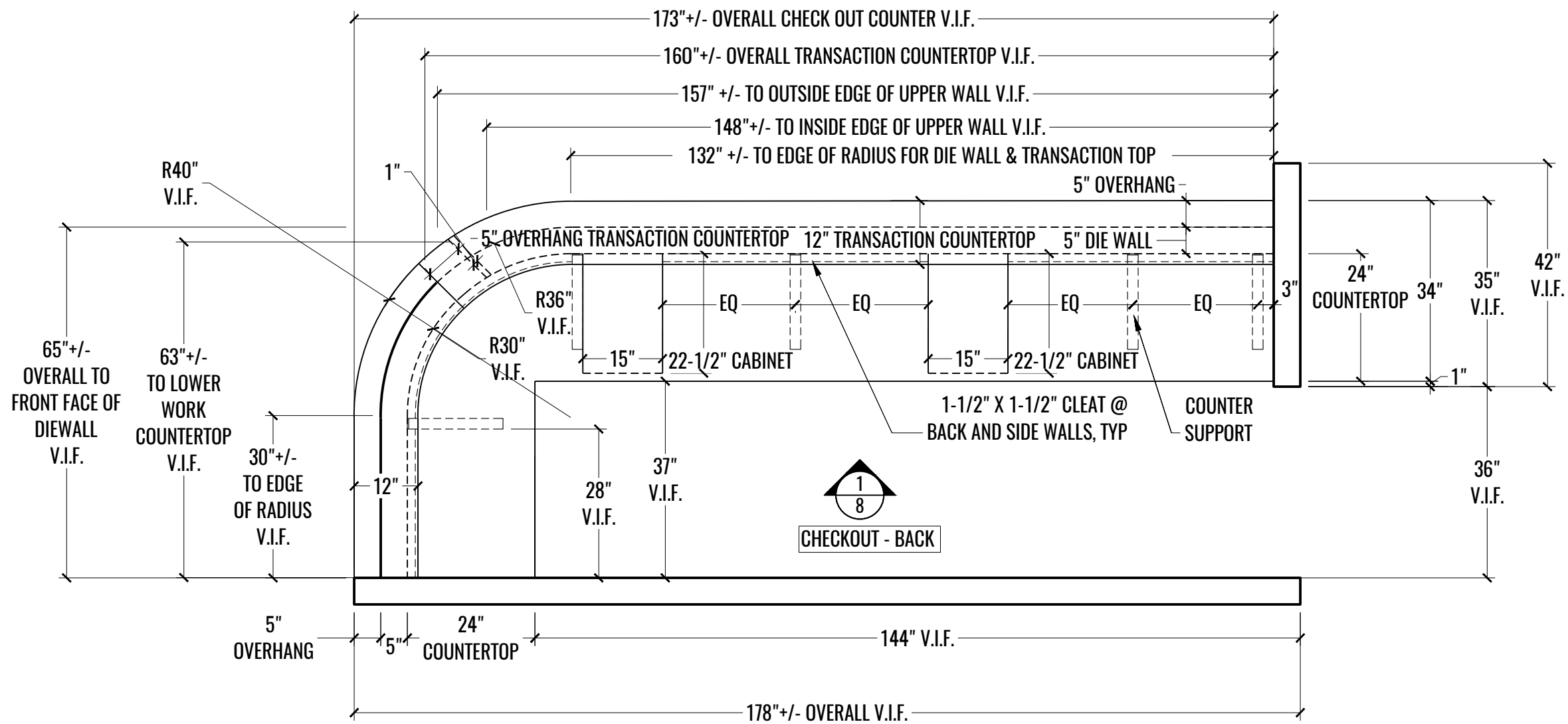
1 ELEVATION: STAFF LOUNGE
 4 SCALE: 1/2" = 1'-0"



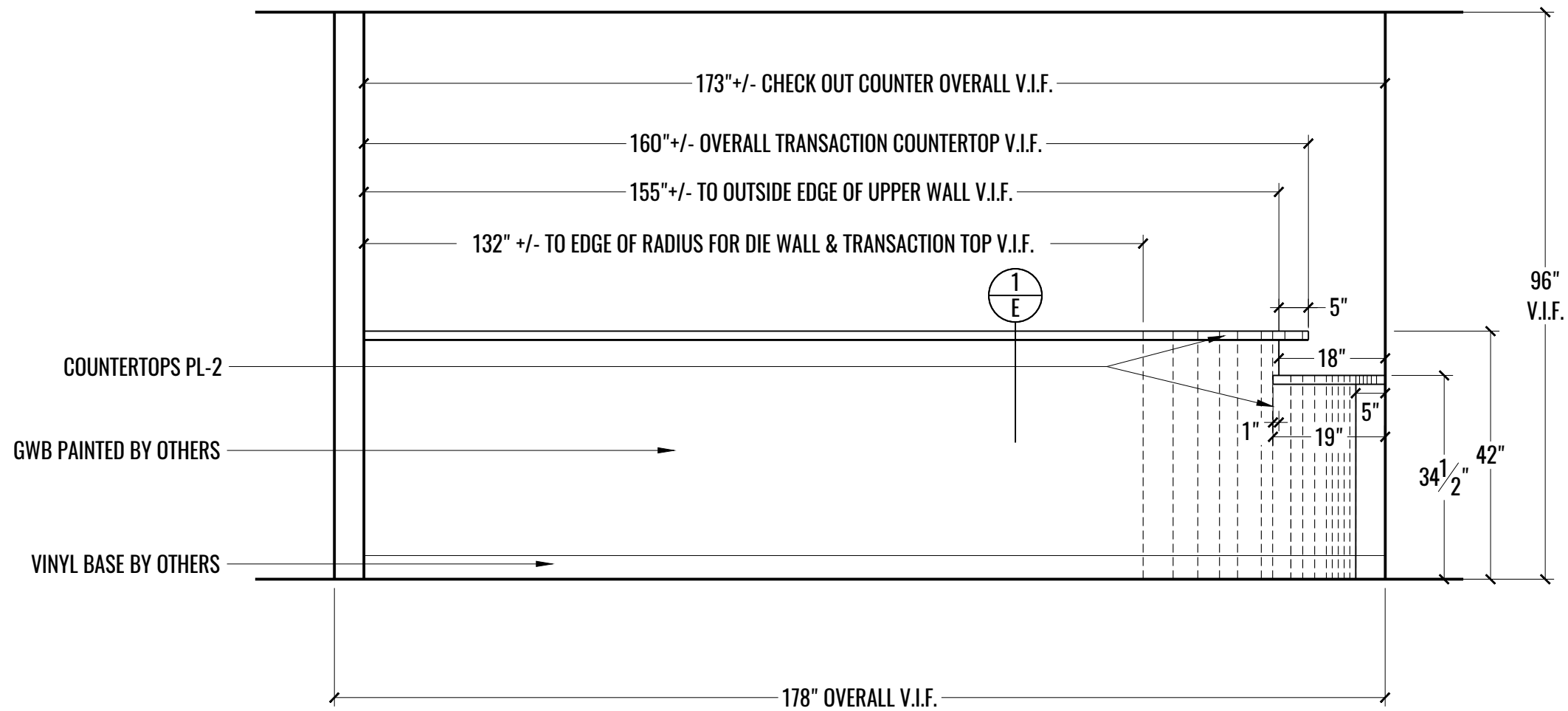
1
 5

ELEVATION: STAFF LOUNGE
 SCALE: 1/2" = 1'-0"

CHECKOUT - FRONT

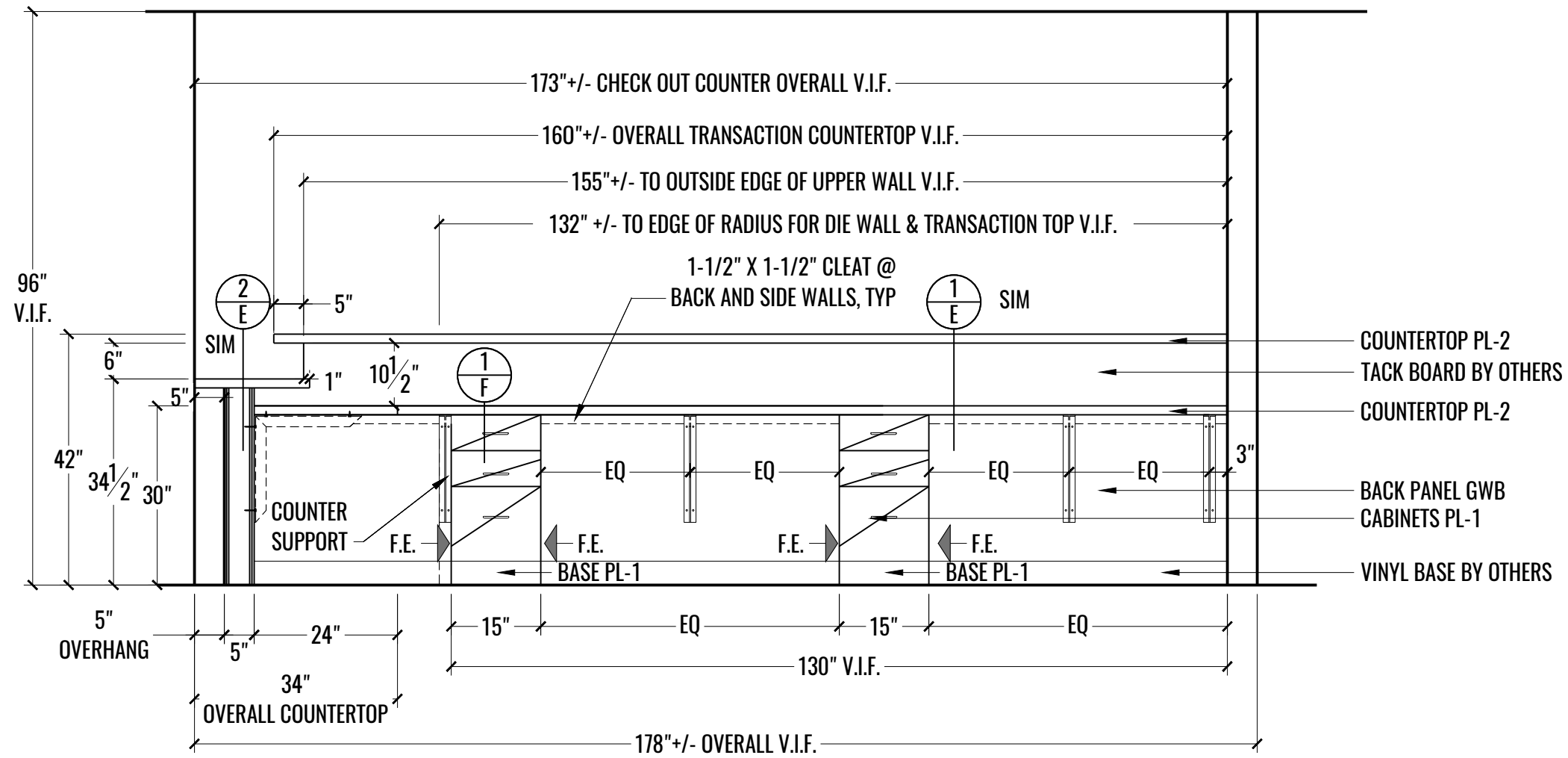


1 PLAN: CHECKOUT
6 SCALE: 1/2" = 1'-0"

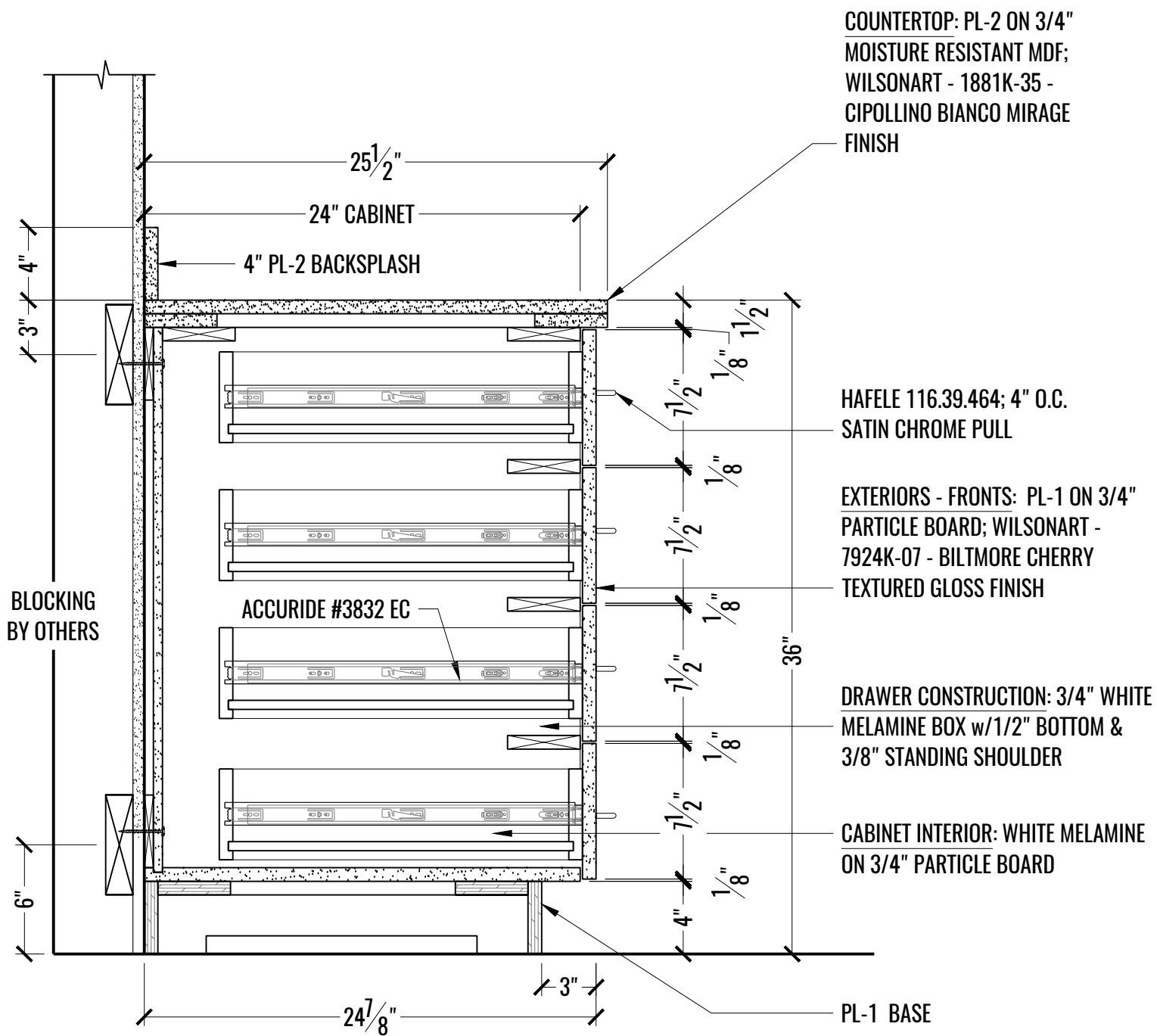


1
 7

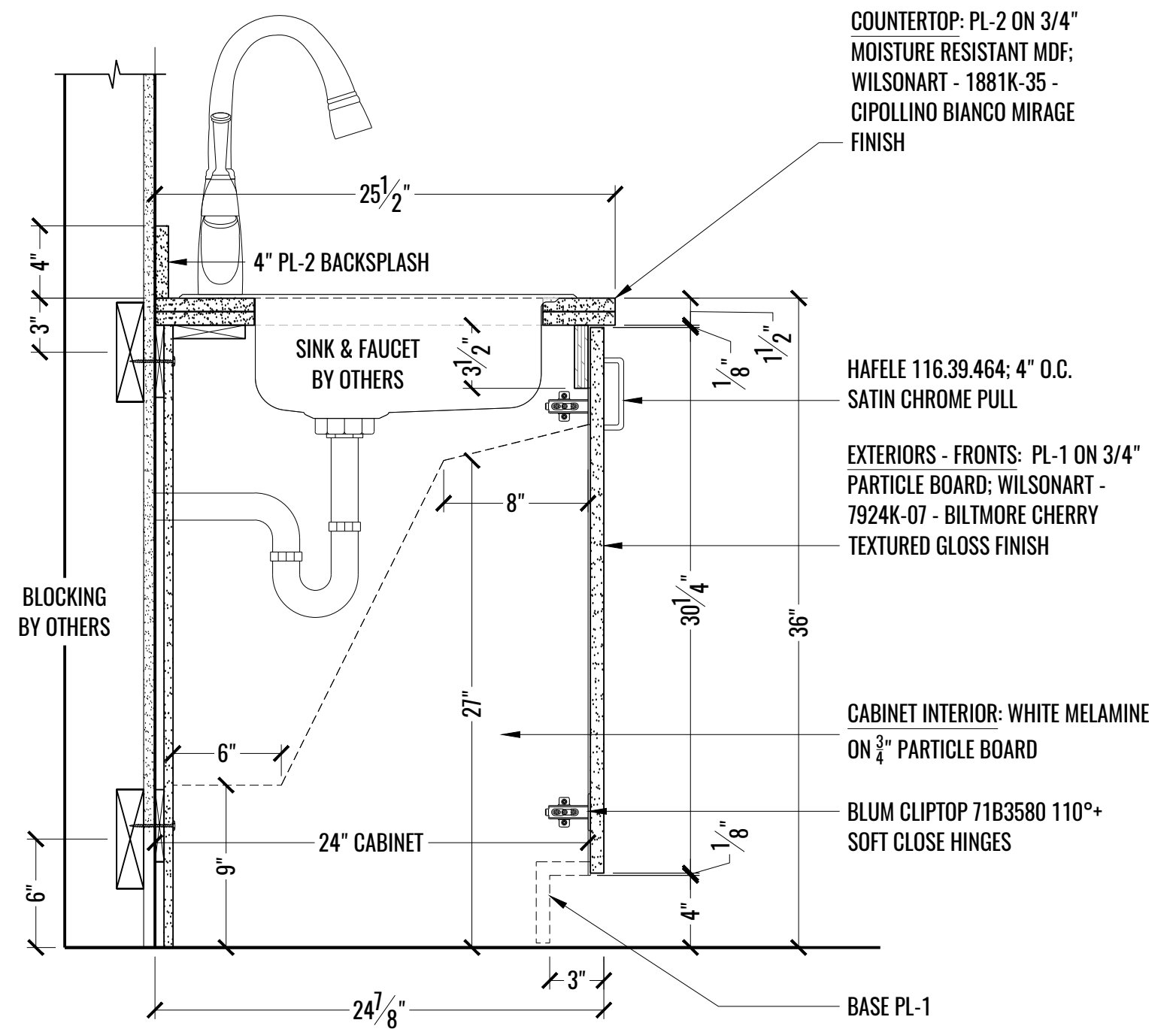
 ELEVATION: CHECKOUT - FRONT
 SCALE: 1/2" = 1'-0"



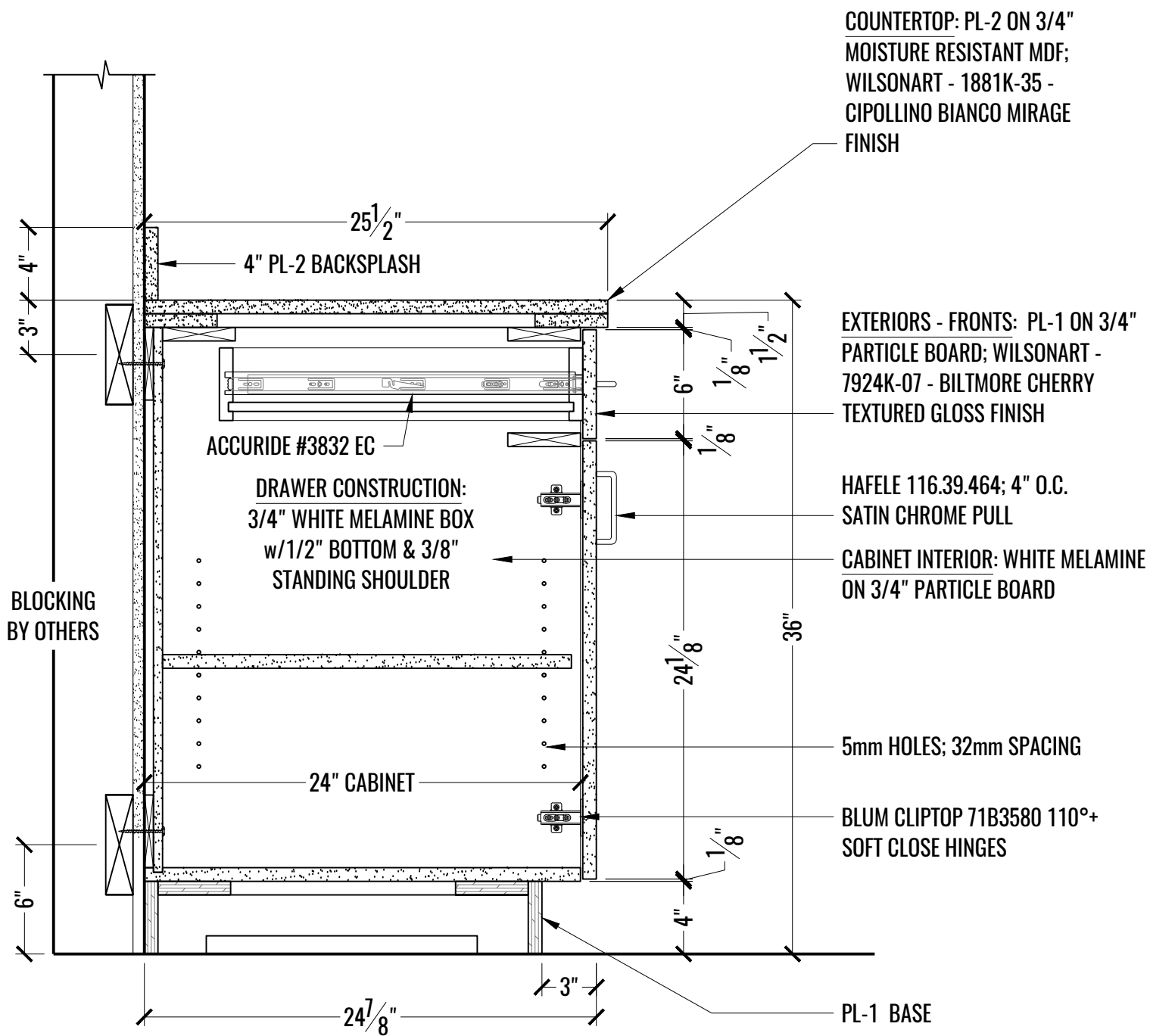
1 ELEVATION: CHECKOUT - BACK
 8 SCALE: 1/2" = 1'-0"



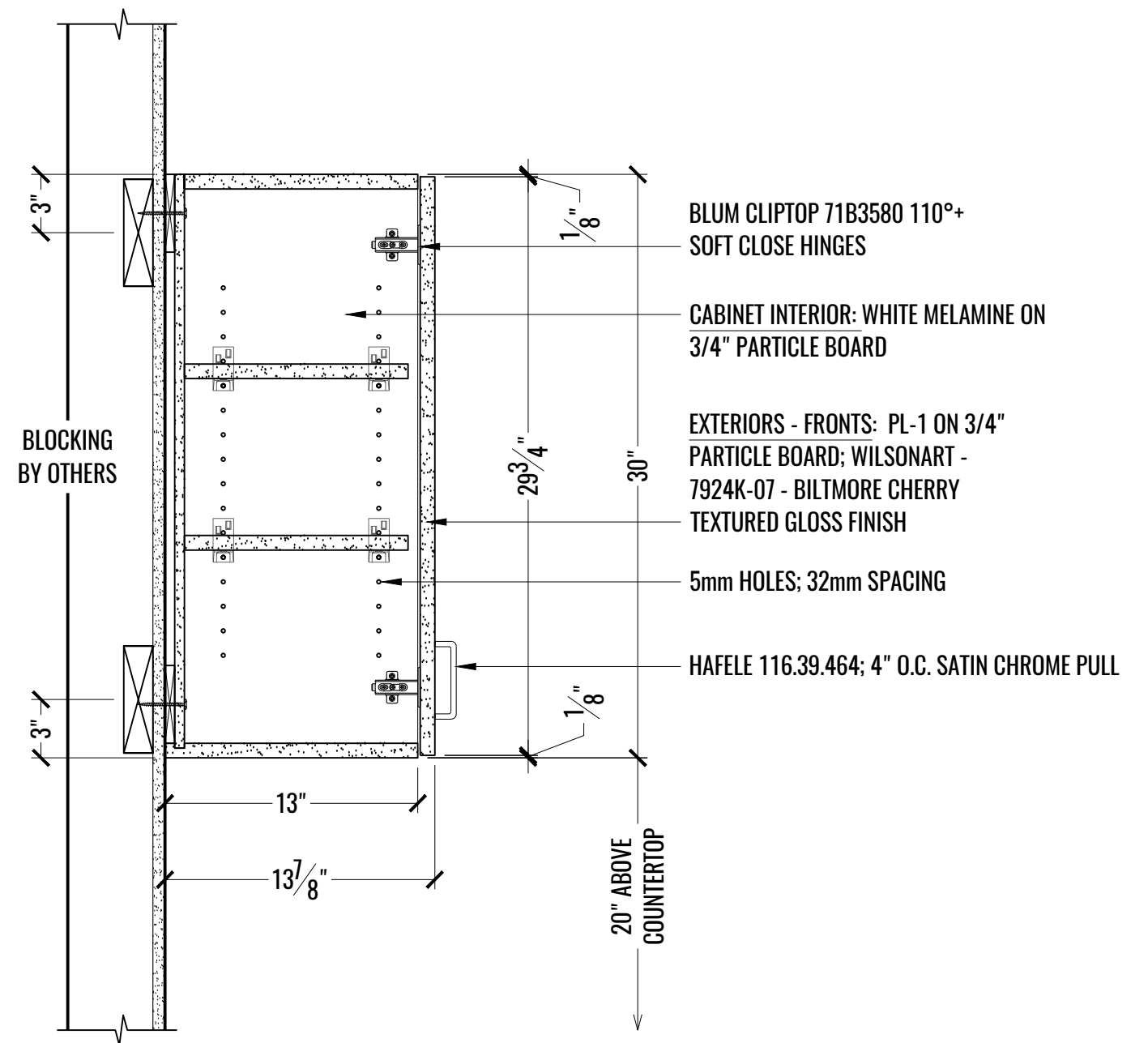
1 SECTION: BASE CABINET W/DRAWERS @ BASEMENT KITCHENETTE
 A SCALE: 1-1/2" = 1'-0"



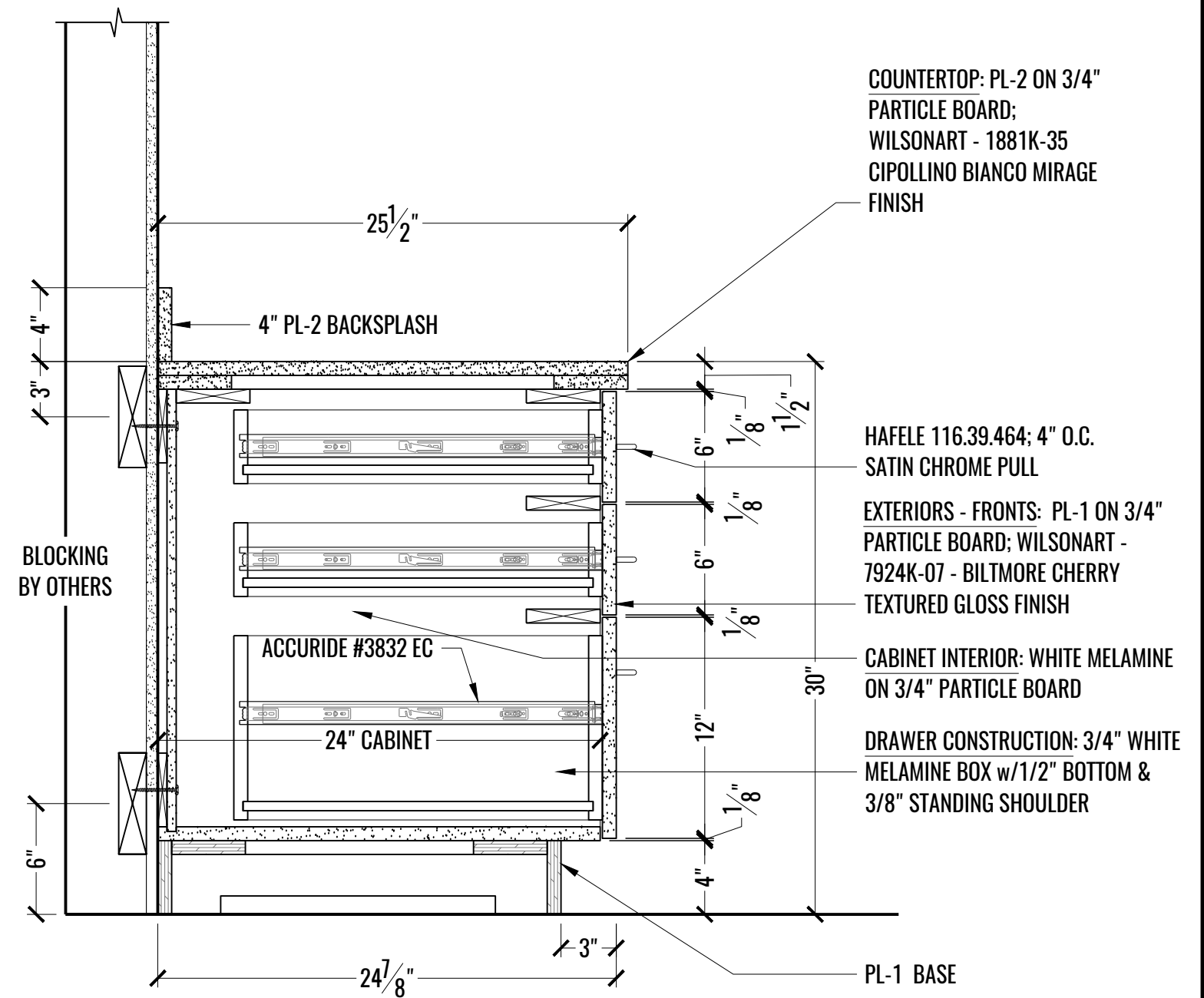
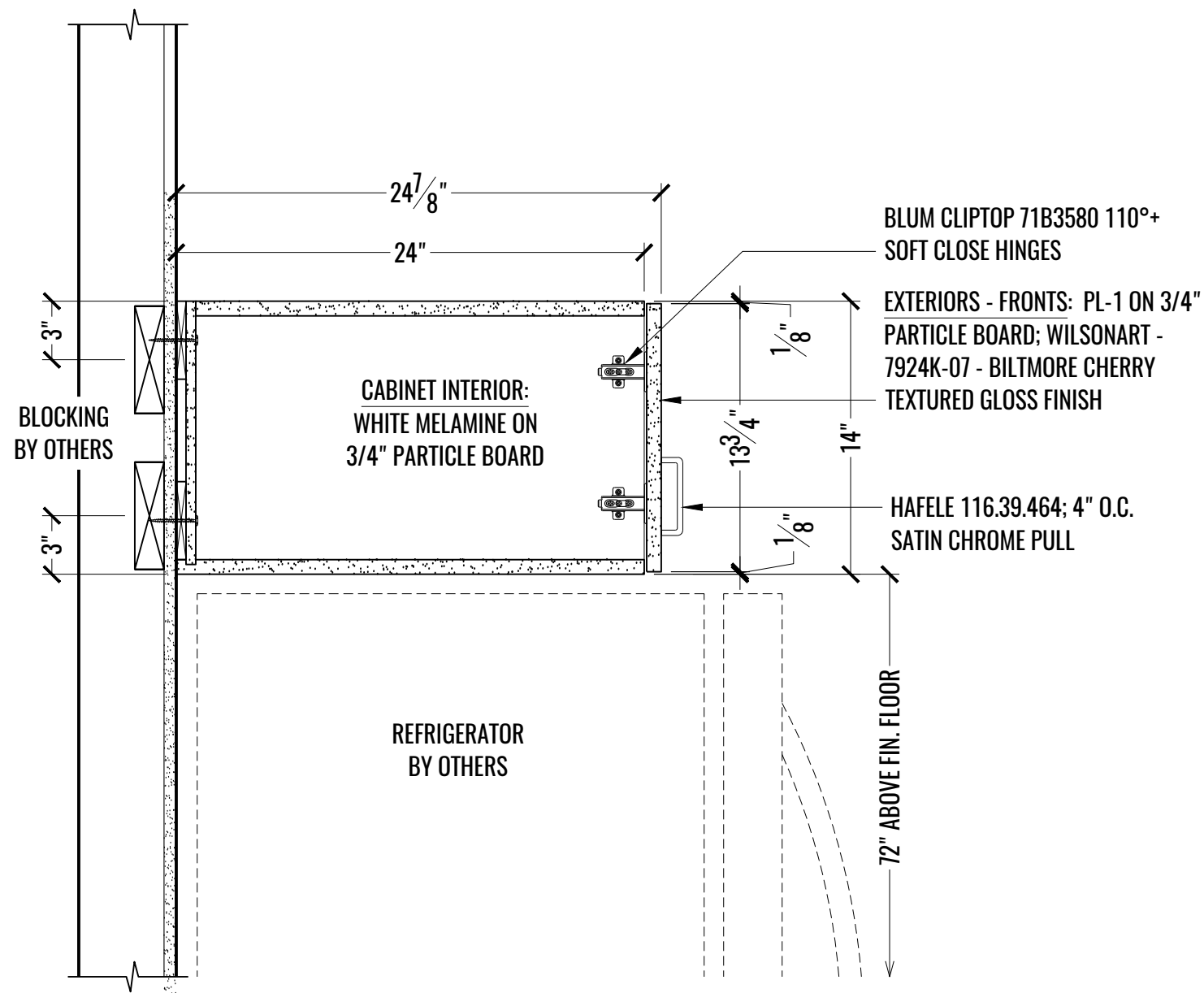
2 SECTION: SINK @ BASE CABINET - BASEMENT KITCHENETTE
 A SCALE: 1-1/2" = 1'-0"



1 SECTION: BASE CABINET WITH DRAWER @ BASEMENT KITCHENETTE
B SCALE: 1-1/2" = 1'-0"

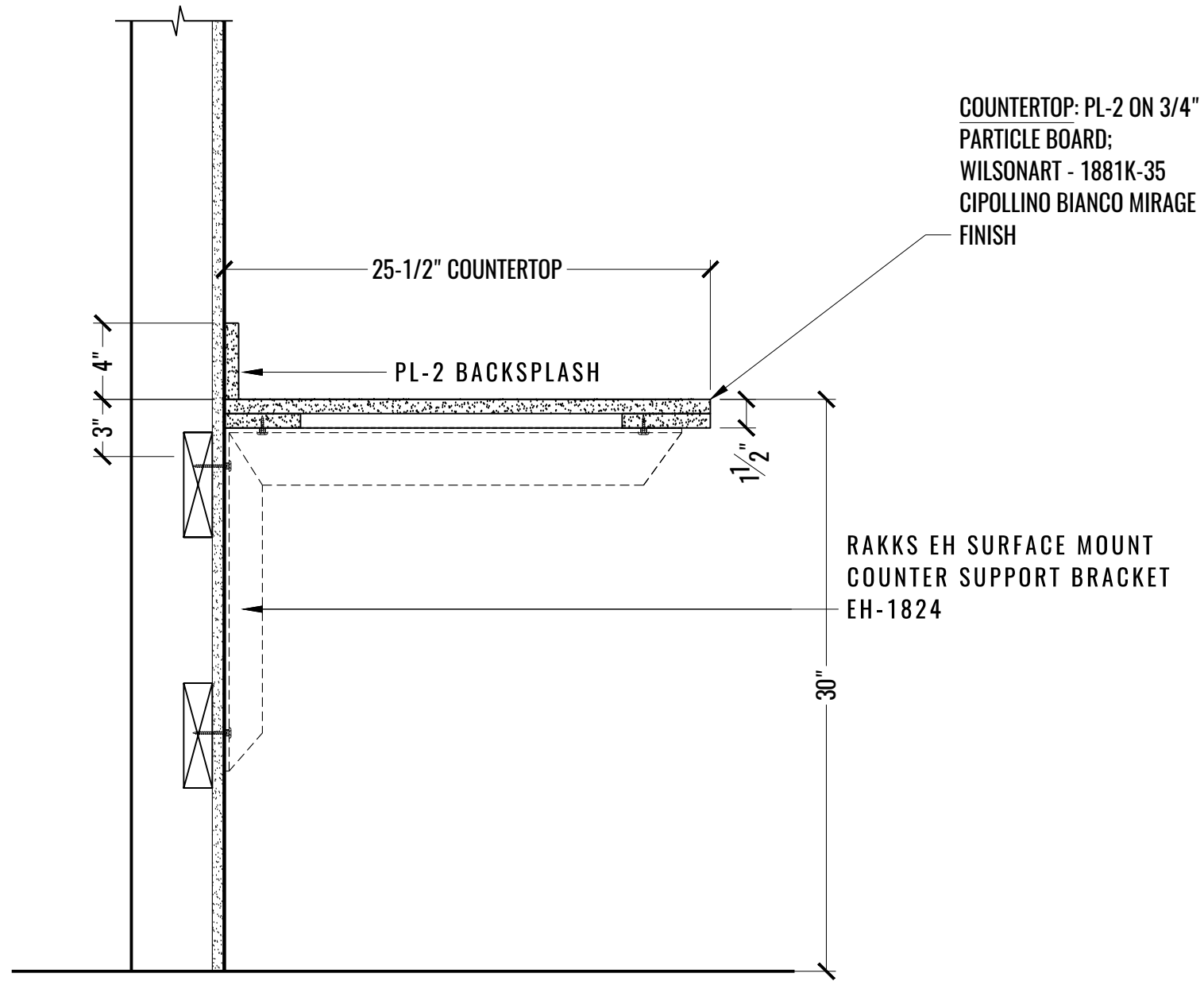


2 SECTION: UPPER CABINETS 30"H @ BASEMENT KITCHENETTE
B SCALE: 1-1/2" = 1'-0"

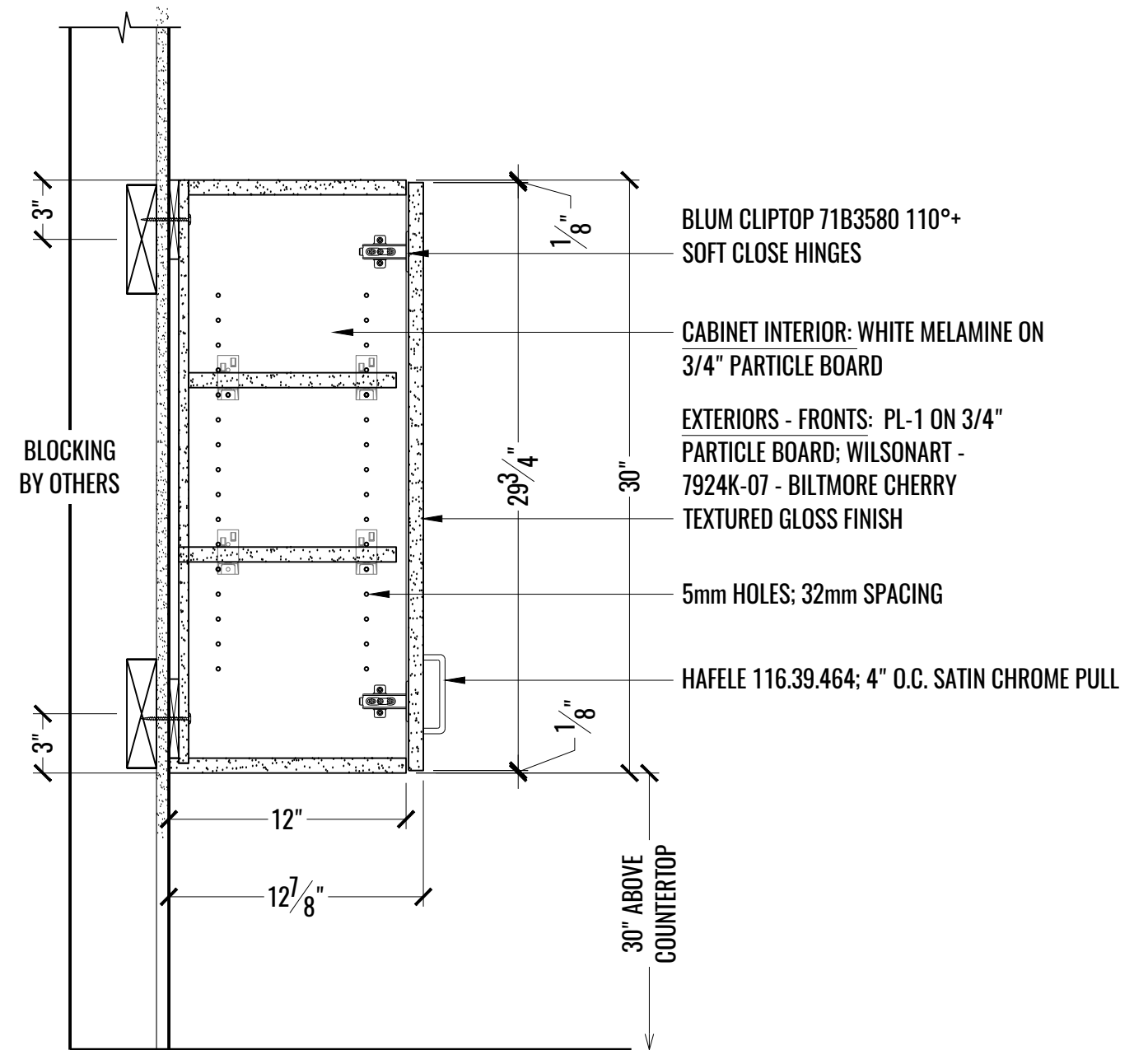


1 SECTION: UPPER CABINET ABOVE REFRIGERATOR 14" H @ BASEMENT KITCHENETTE
C SCALE: 1-1/2" = 1'-0"

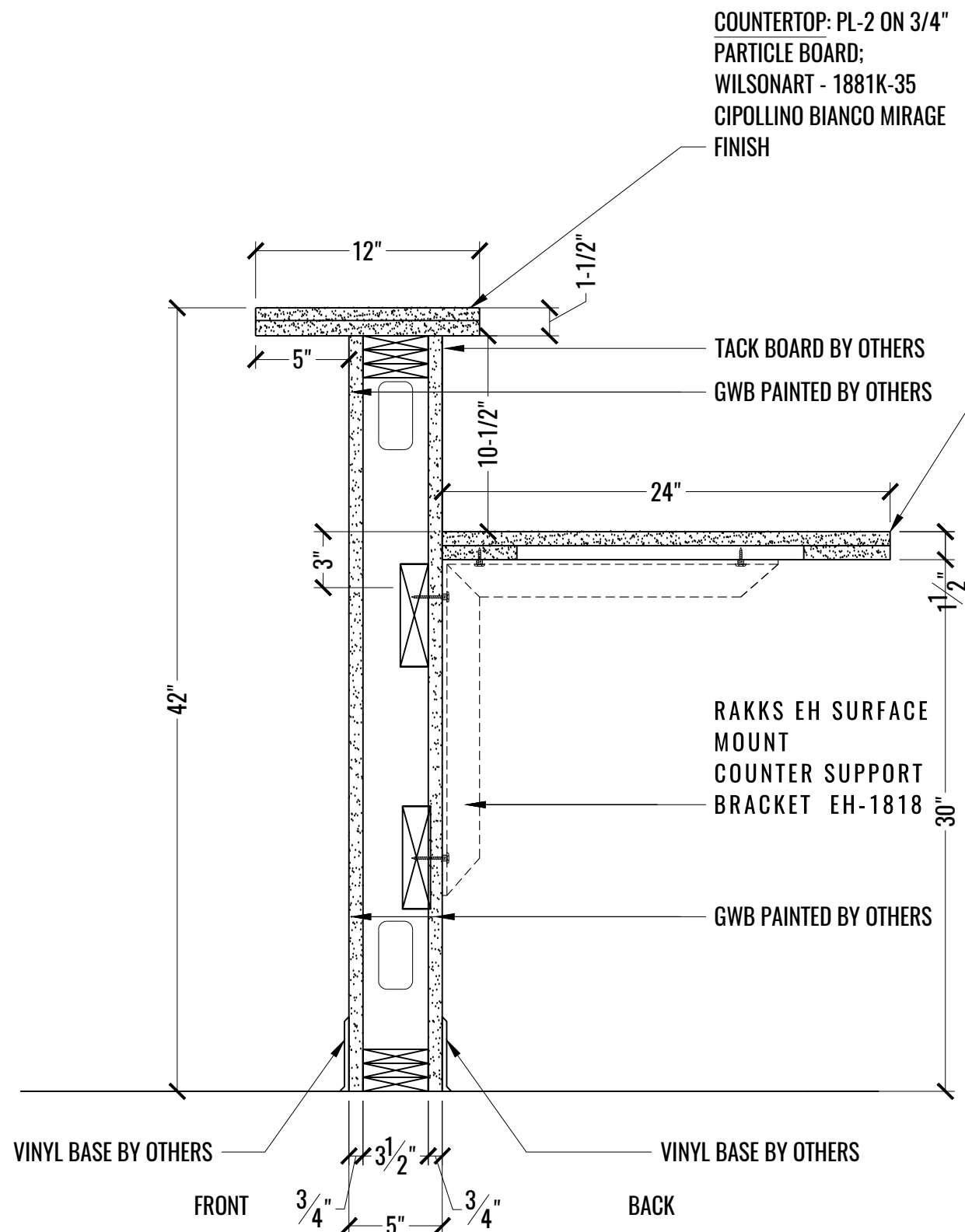
2 SECTION: BASE CABINETS W/DRAWERS @ STAFF LOUNGE
C SCALE: 1-1/2" = 1'-0"



1 SECTION: COUNTER @ STAFF LOUNGE
D SCALE: 1-1/2" = 1'-0"

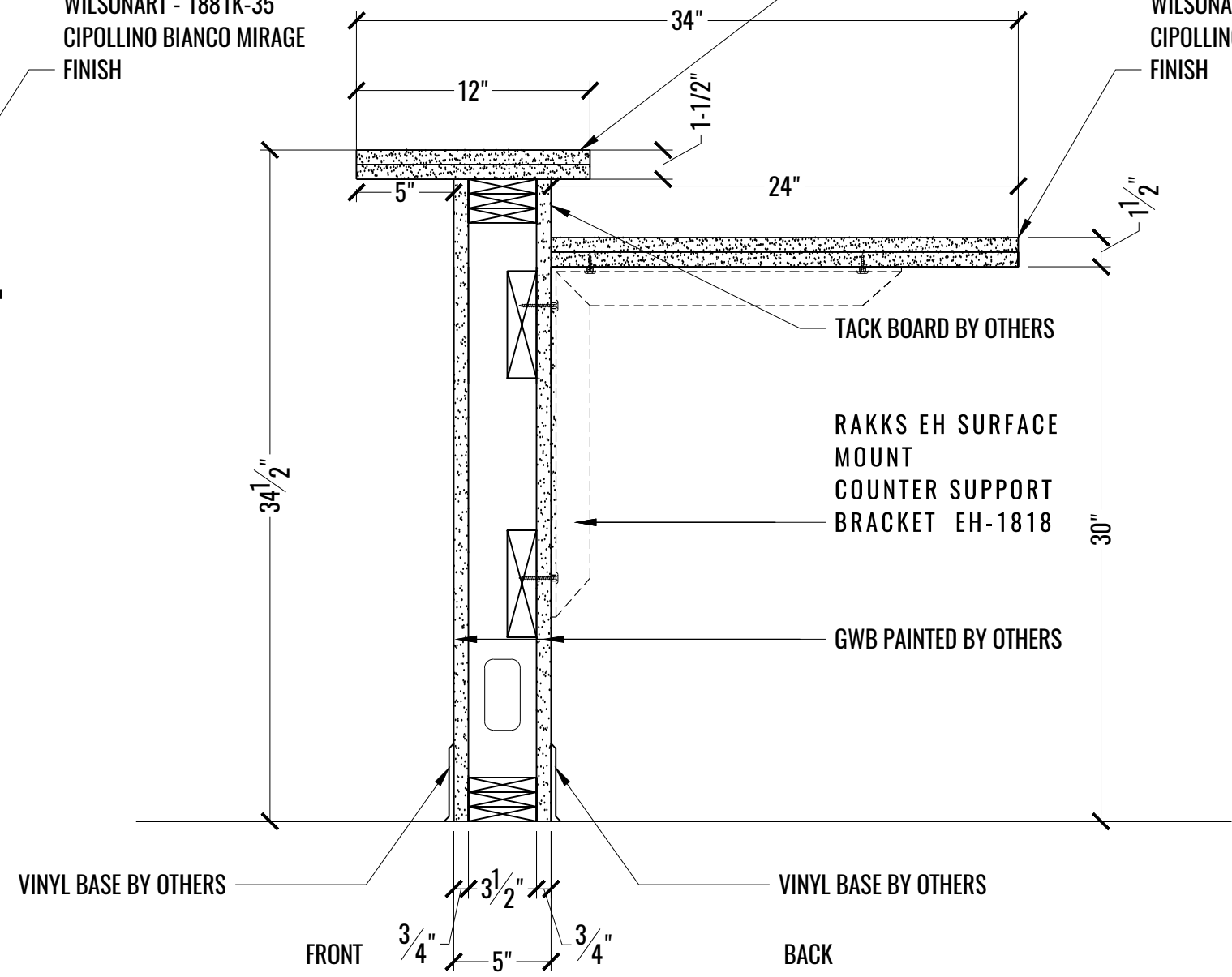


2 SECTION: UPPER CABINETS @ STAFF LOUNGE
D SCALE: 1-1/2" = 1'-0"

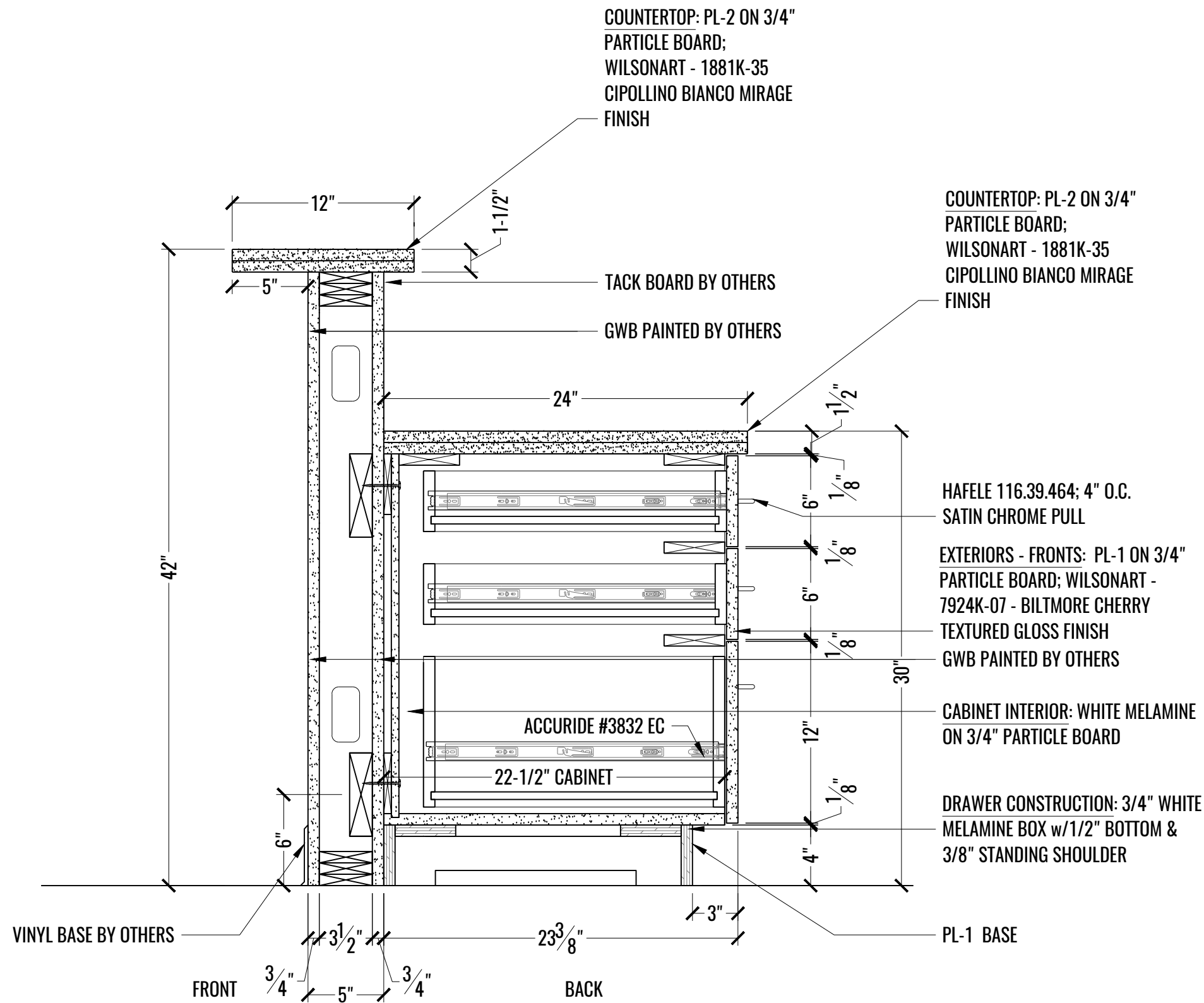


1 SECTION: COUNTER @ CHECKOUT 42"H
E SCALE: 1-1/2" = 1'-0"

COUNTERTOP: PL-2 ON 3/4"
PARTICLE BOARD;
WILSONART - 1881K-35
CIPOLLINO BIANCO MIRAGE
FINISH



2 SECTION: COUNTER @ CHECKOUT - 34-1/2"H
E SCALE: 1-1/2" = 1'-0"



1 SECTION: BASE CABINET W/DRAWERS @ CHECKOUT
 F SCALE: 1-1/2" = 1'-0"