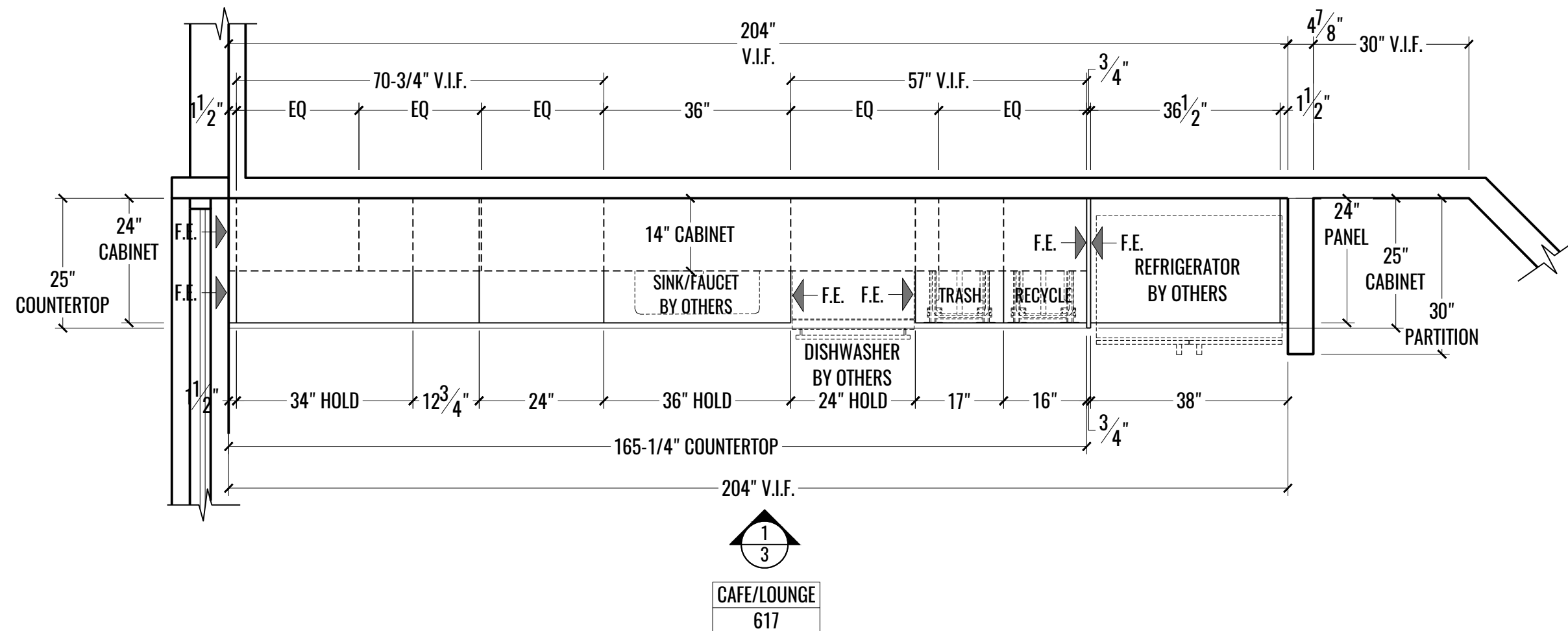
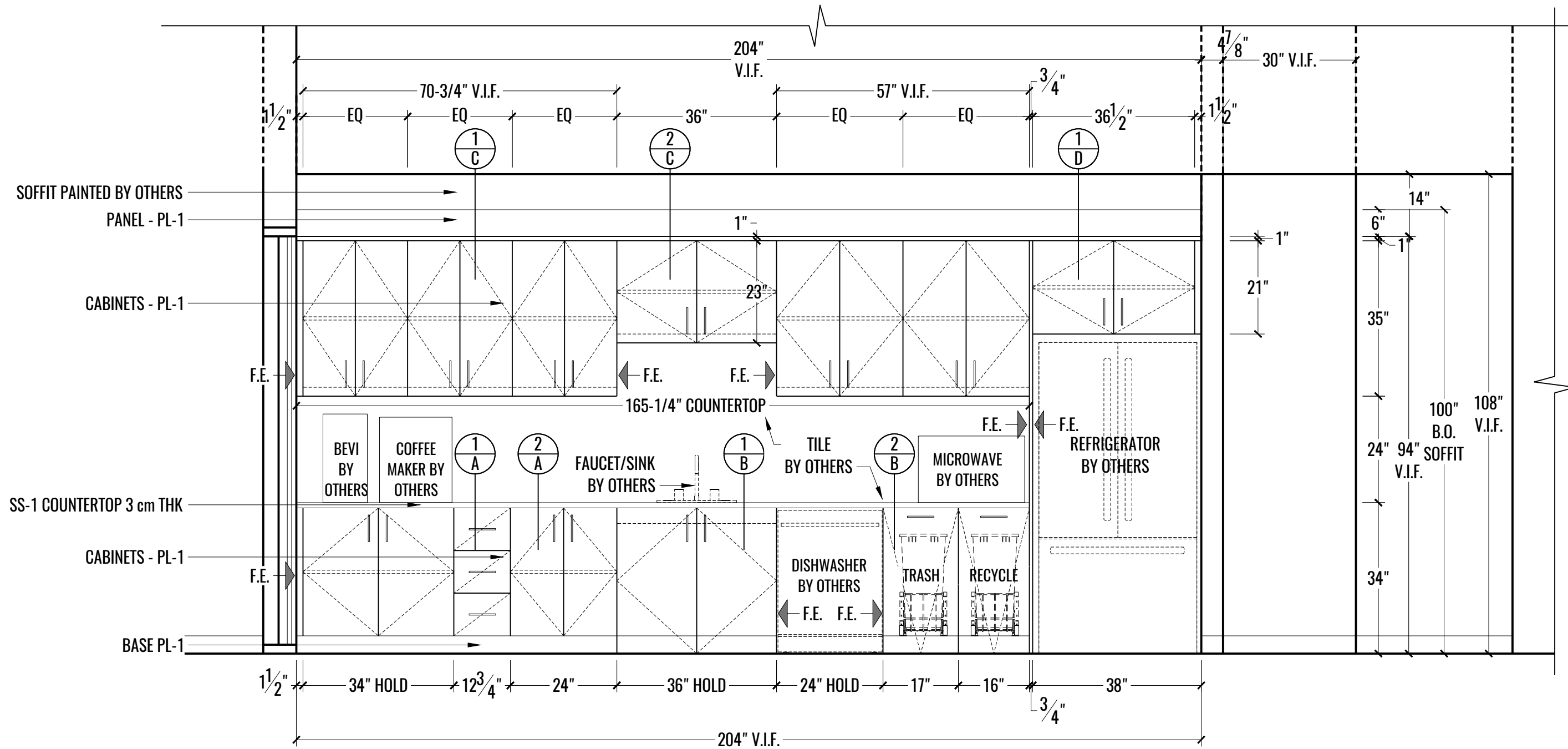


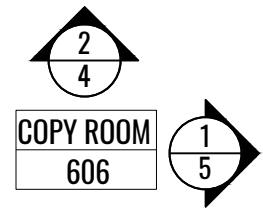
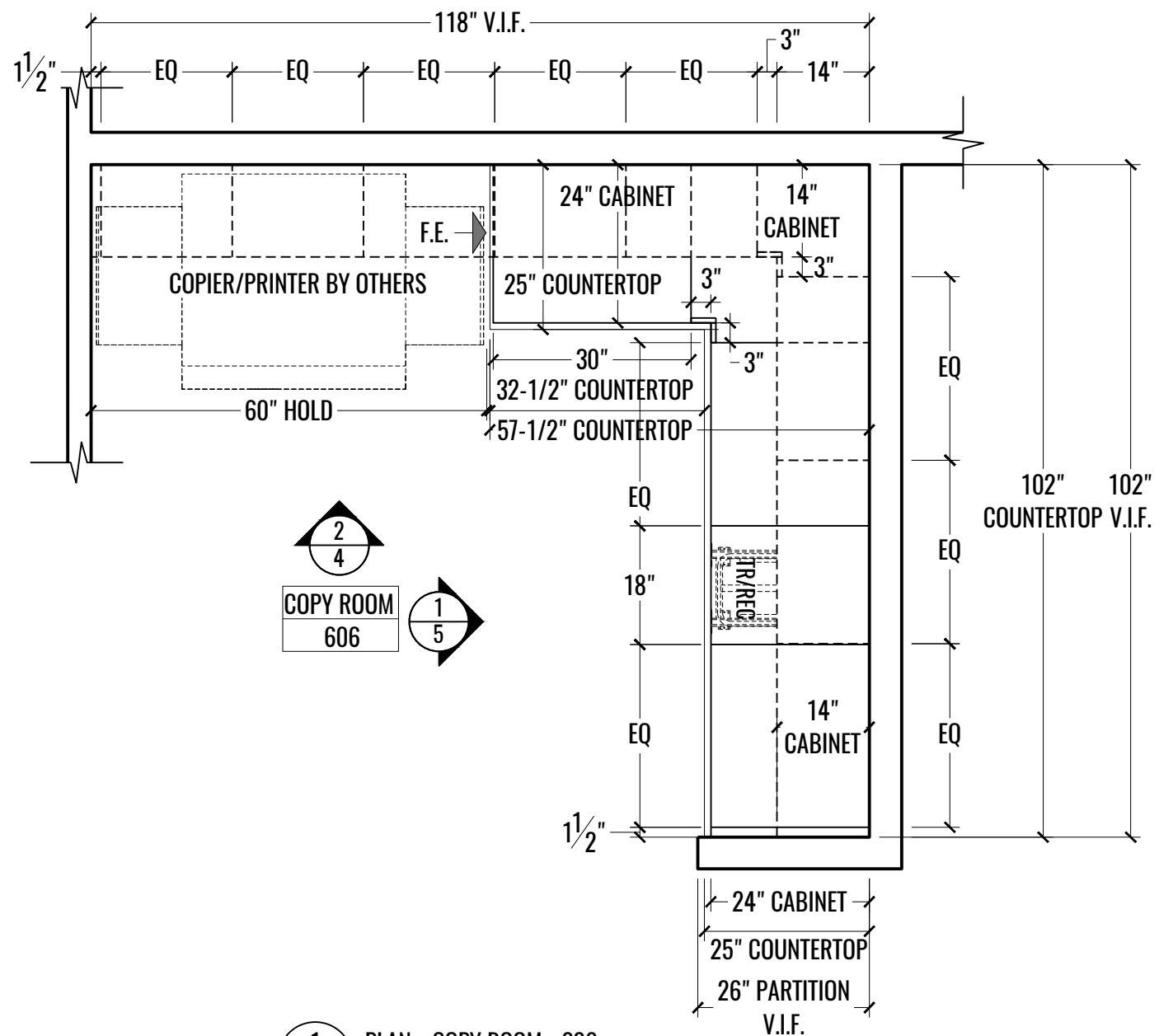
1 PLAN: PROJECT SCOPE - 6TH FLOOR  
 1 SCALE: NOT TO SCALE



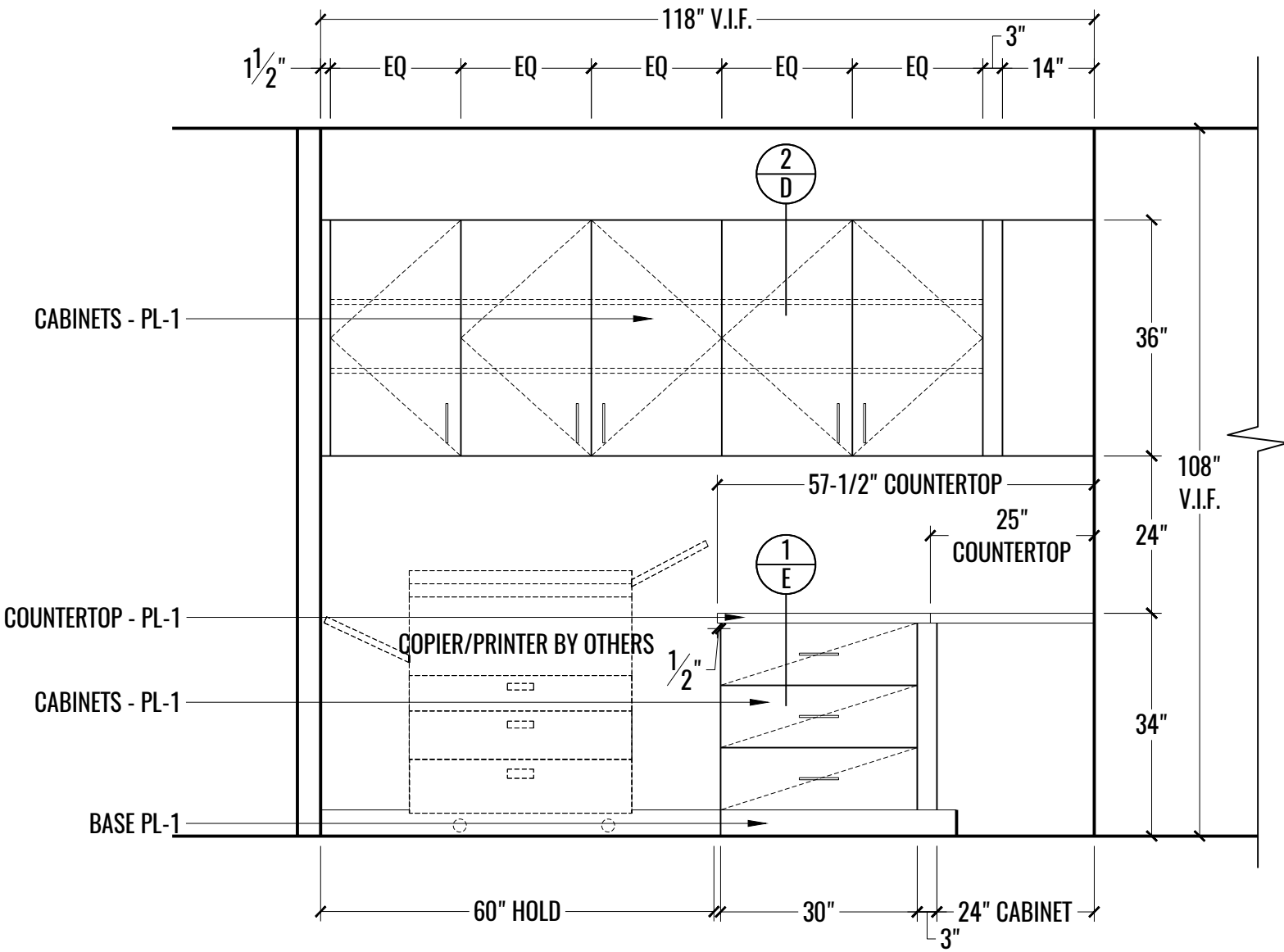
1 PLAN: CAFE/LOUNGE - 617  
2 SCALE: 1/2" = 1'-0"



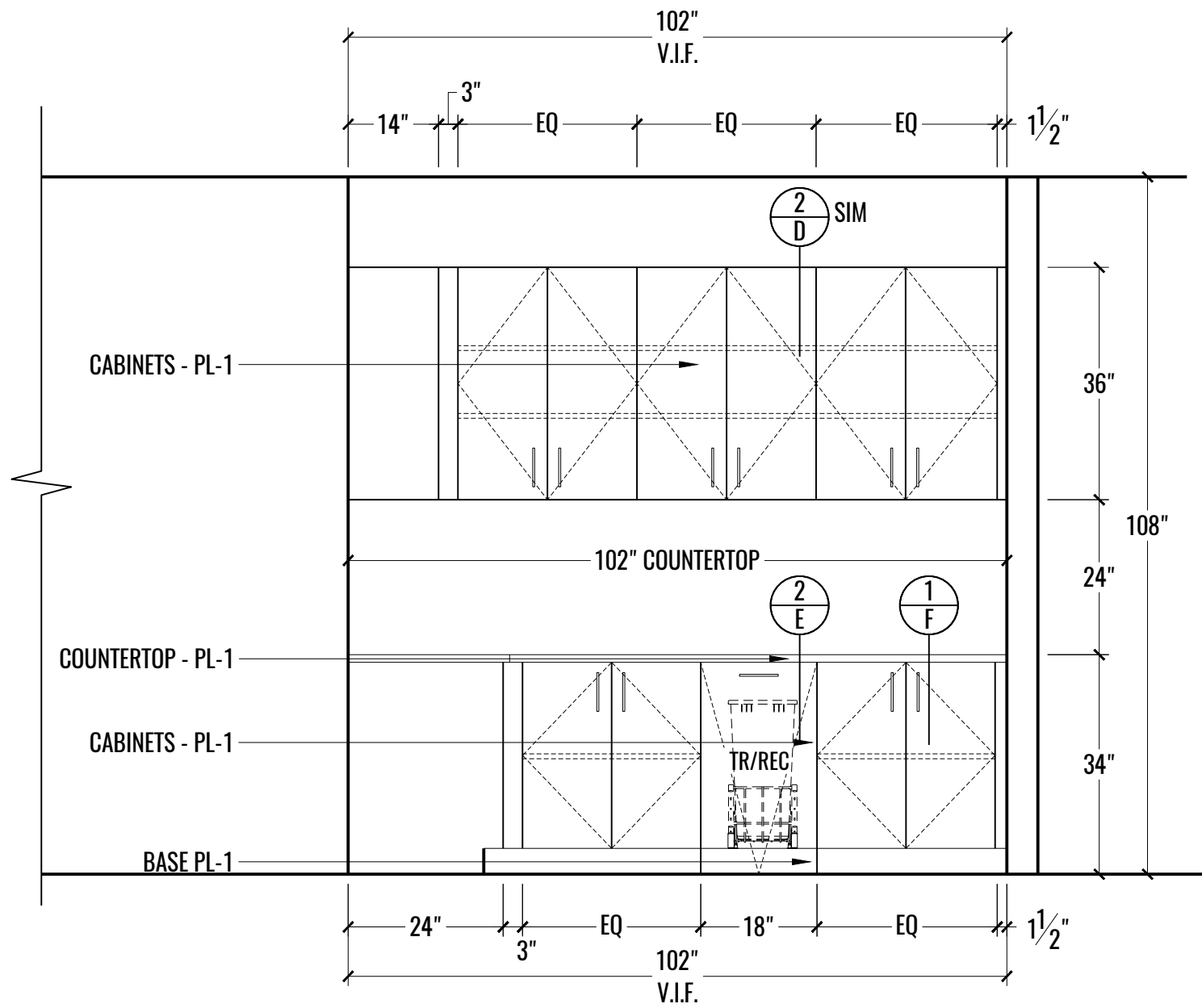
1 ELEVATION: CAFE/LOUNGE - 617  
 3 SCALE: 1/2" = 1'-0"



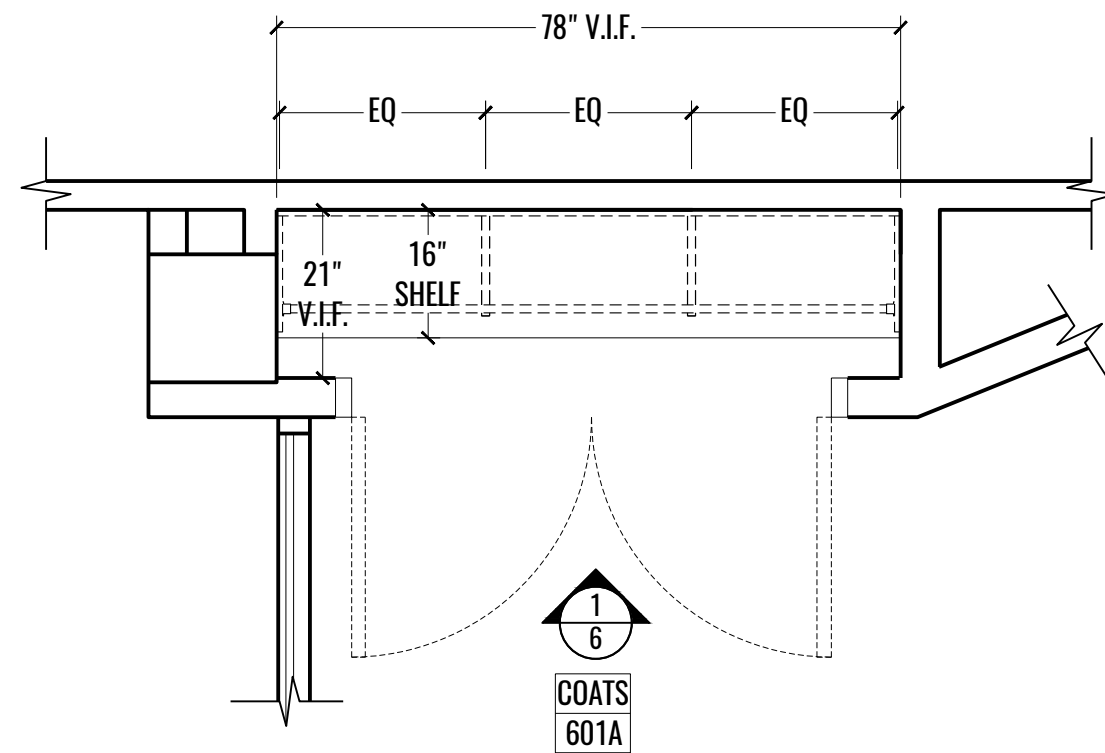
1 PLAN: COPY ROOM - 606  
4 SCALE: 1/2" = 1'-0"



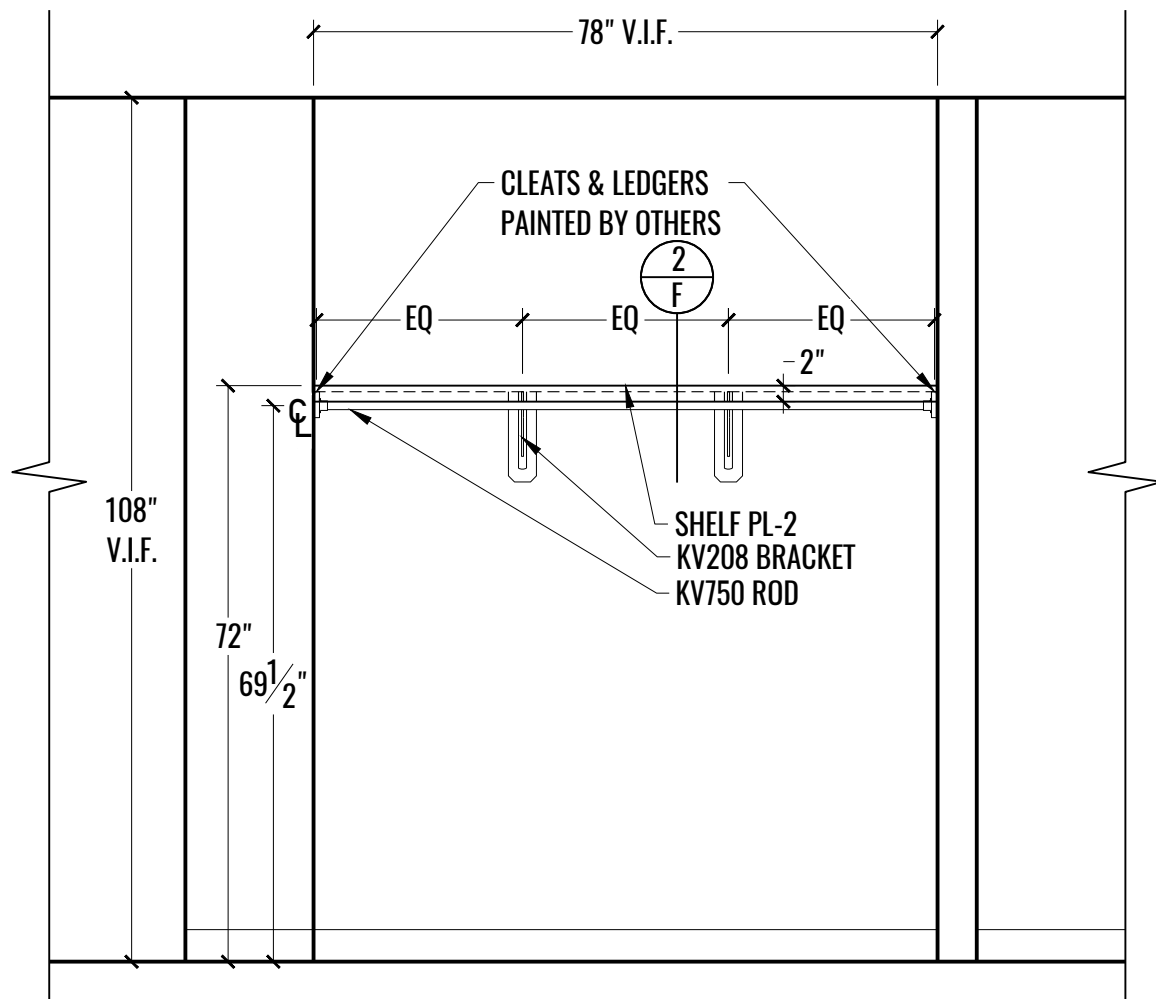
2 ELEVATION: COPY ROOM - 606  
4 SCALE: 1/2" = 1'-0"



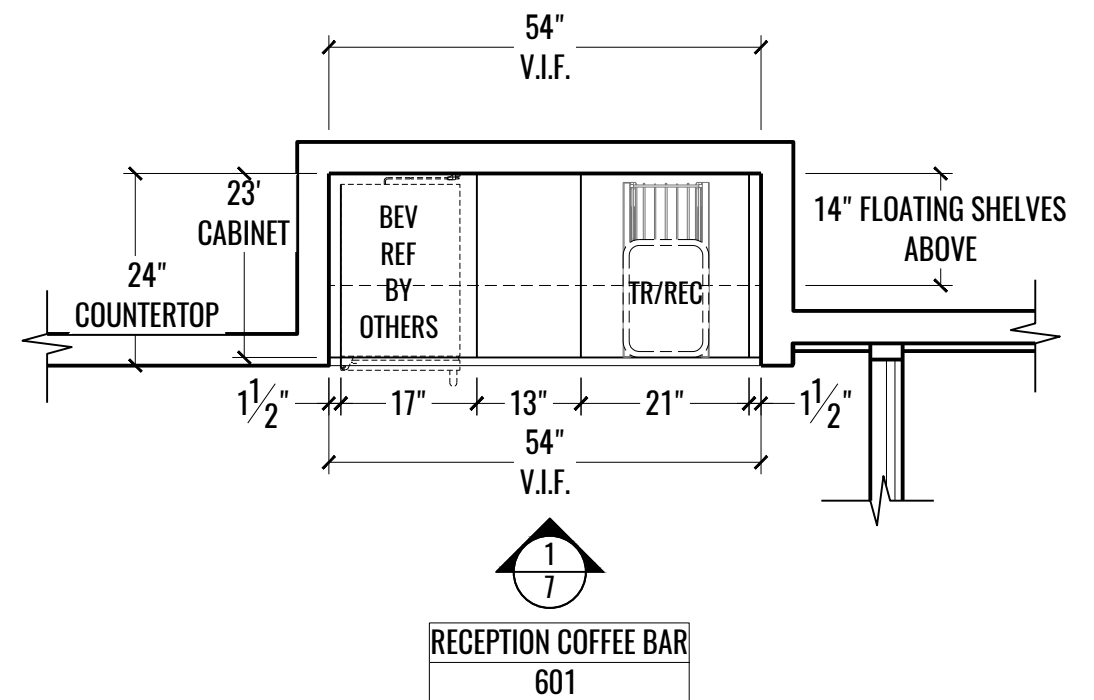
1 ELEVATION: COPY ROOM - 606  
5 SCALE: 1/2" = 1'-0"



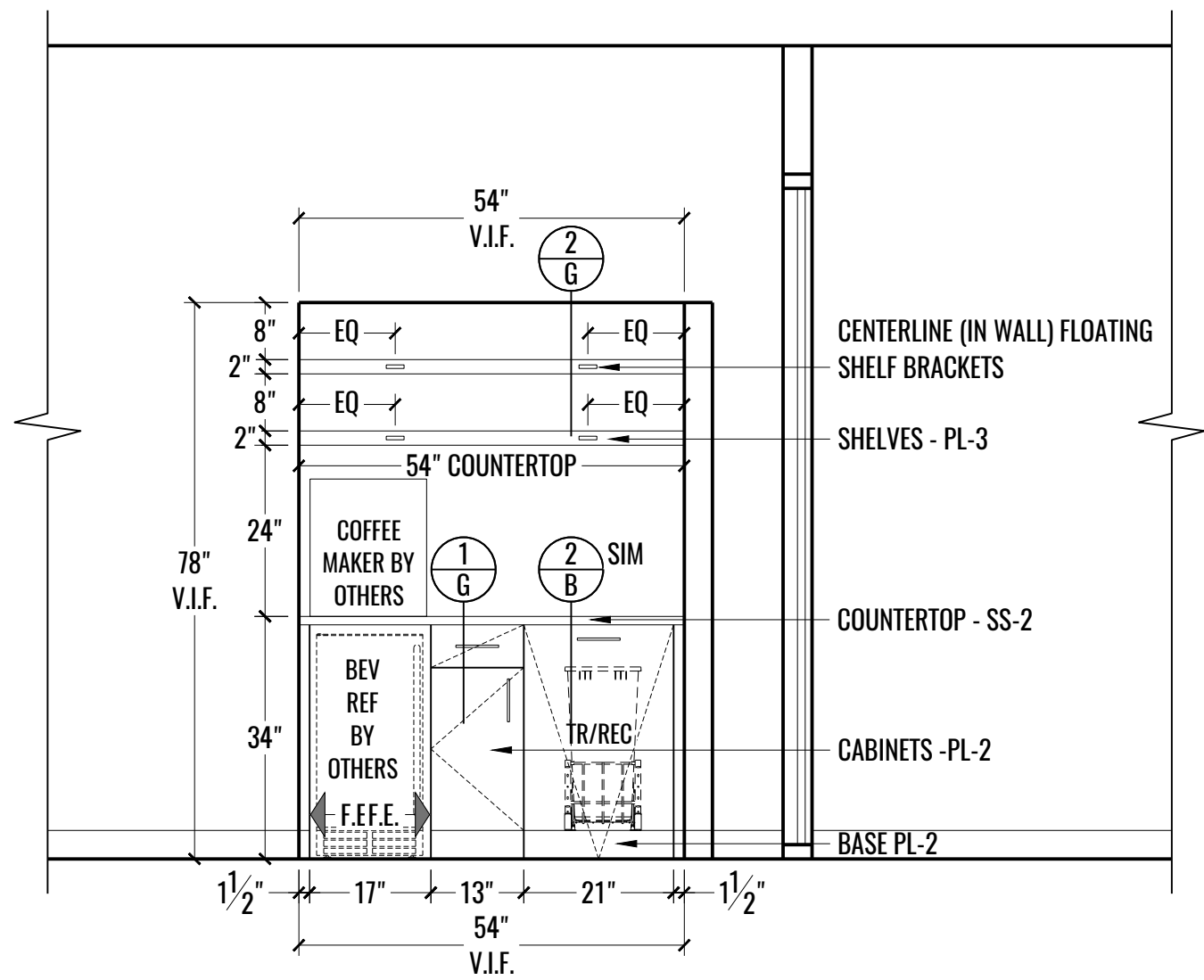
2 PLAN: COATS - 601A  
5 SCALE: 1/2" = 1'-0"



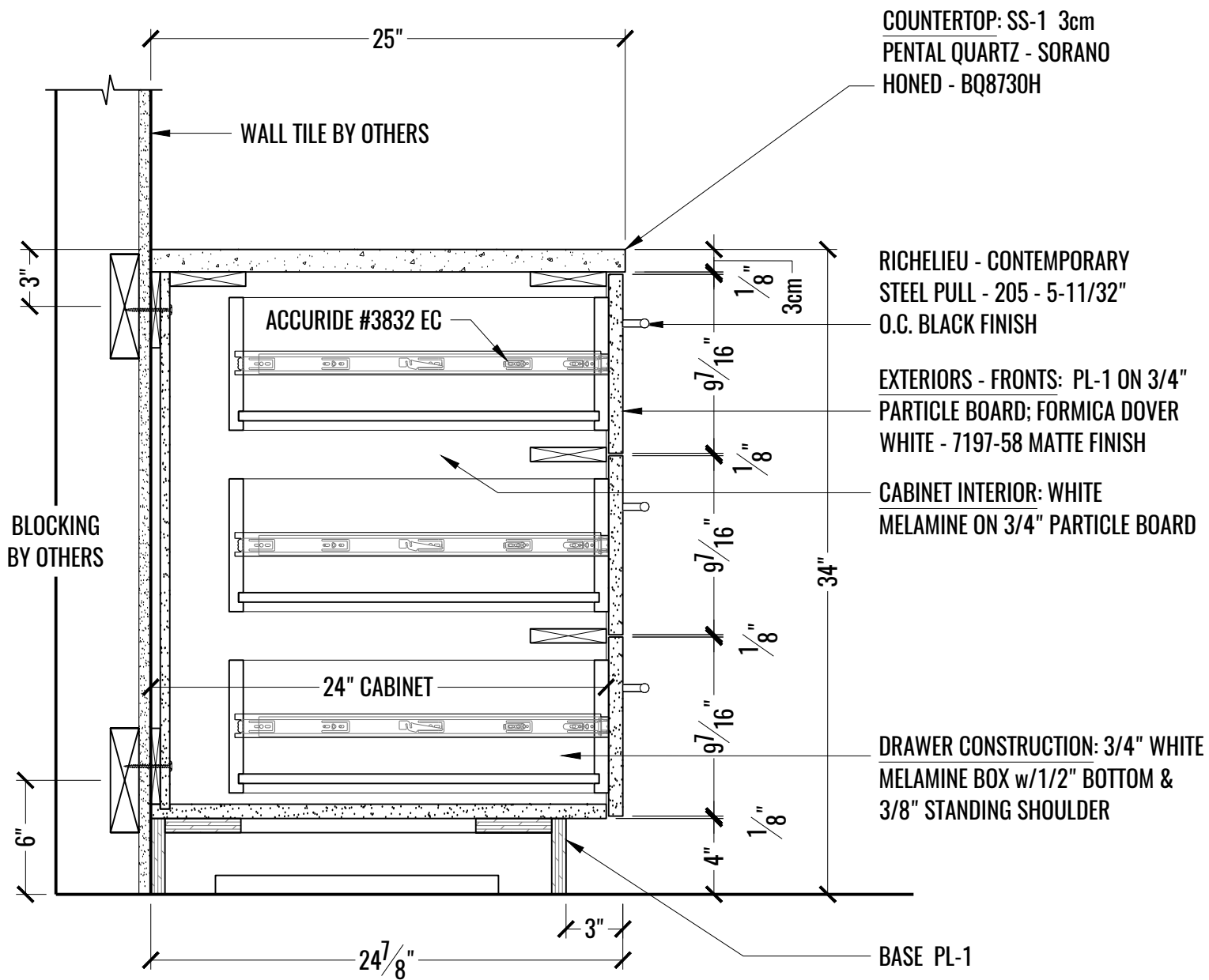
1  
6 ELEVATION: COATS - 601A  
SCALE: 1/2" = 1'-0"



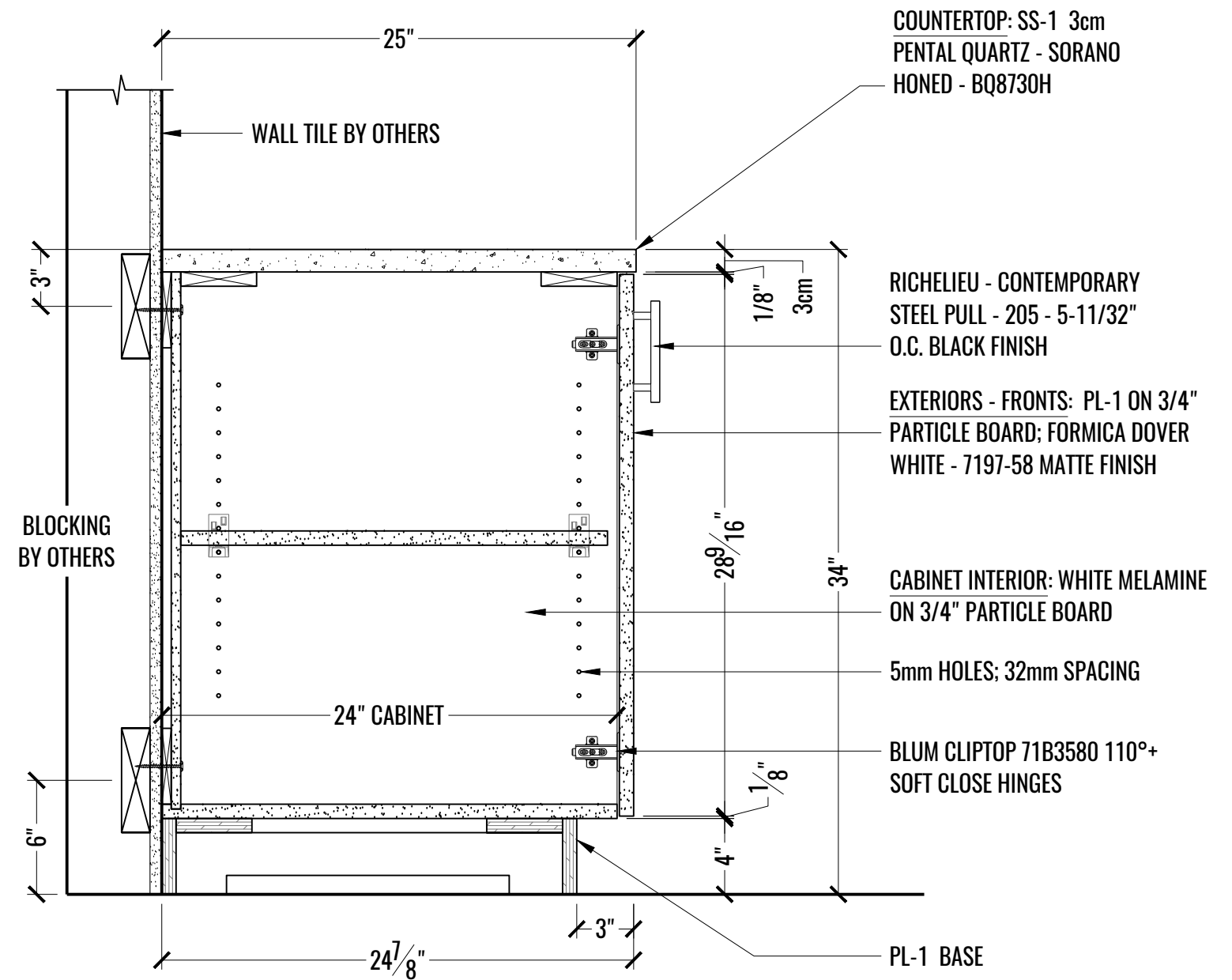
2  
6 PLAN: RECEPTION COFFEE BAR - 601  
SCALE: 1/2" = 1'-0"



1 ELEVATION: RECEPTION COFFEE BAR - 601  
 7 SCALE: 1/2" = 1'-0"

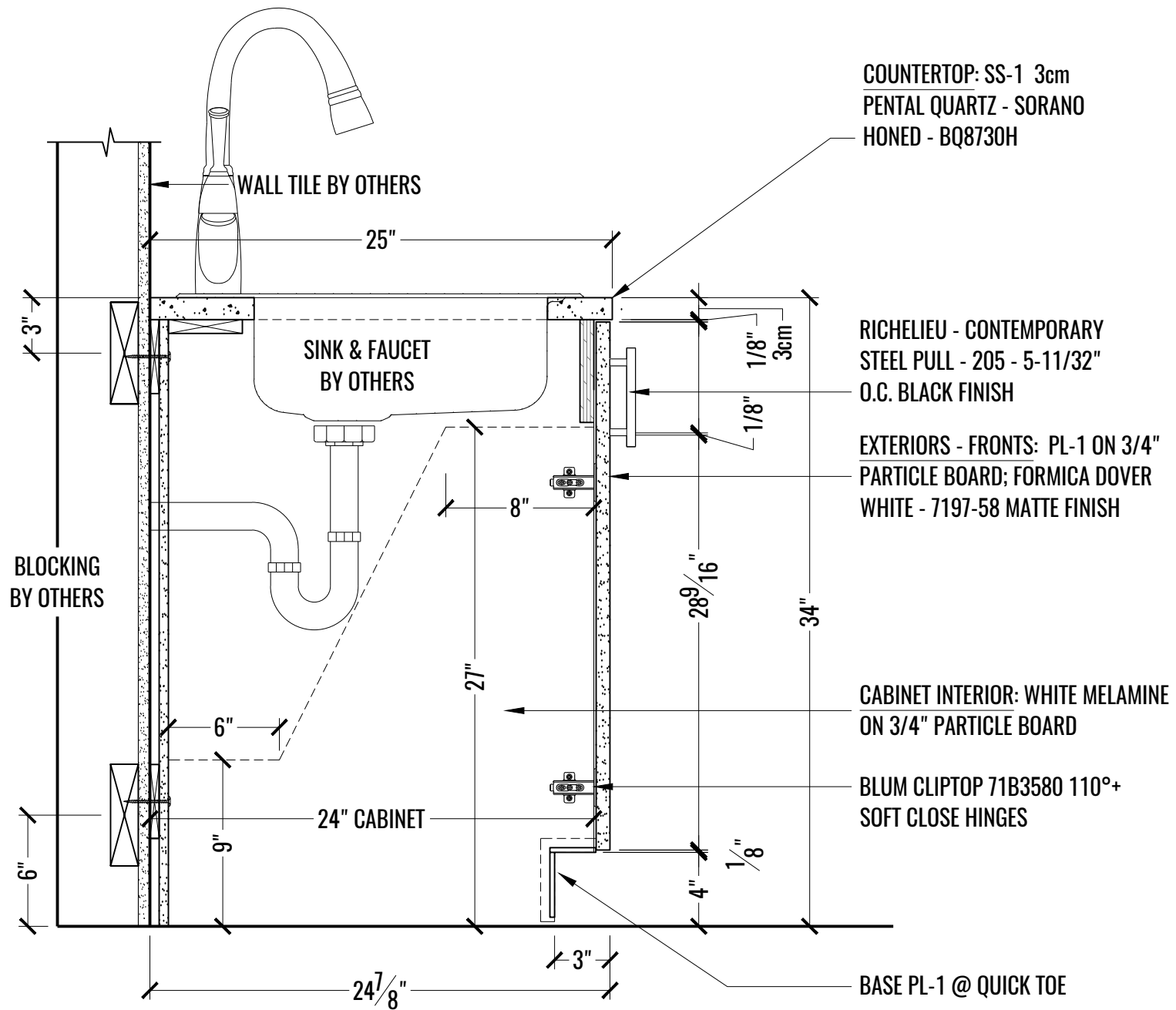


1 SECTION: BASE CABINET W/DRAWERS - CAFE LOUNGE - 617  
A SCALE: 1-1/2" = 1'-0"

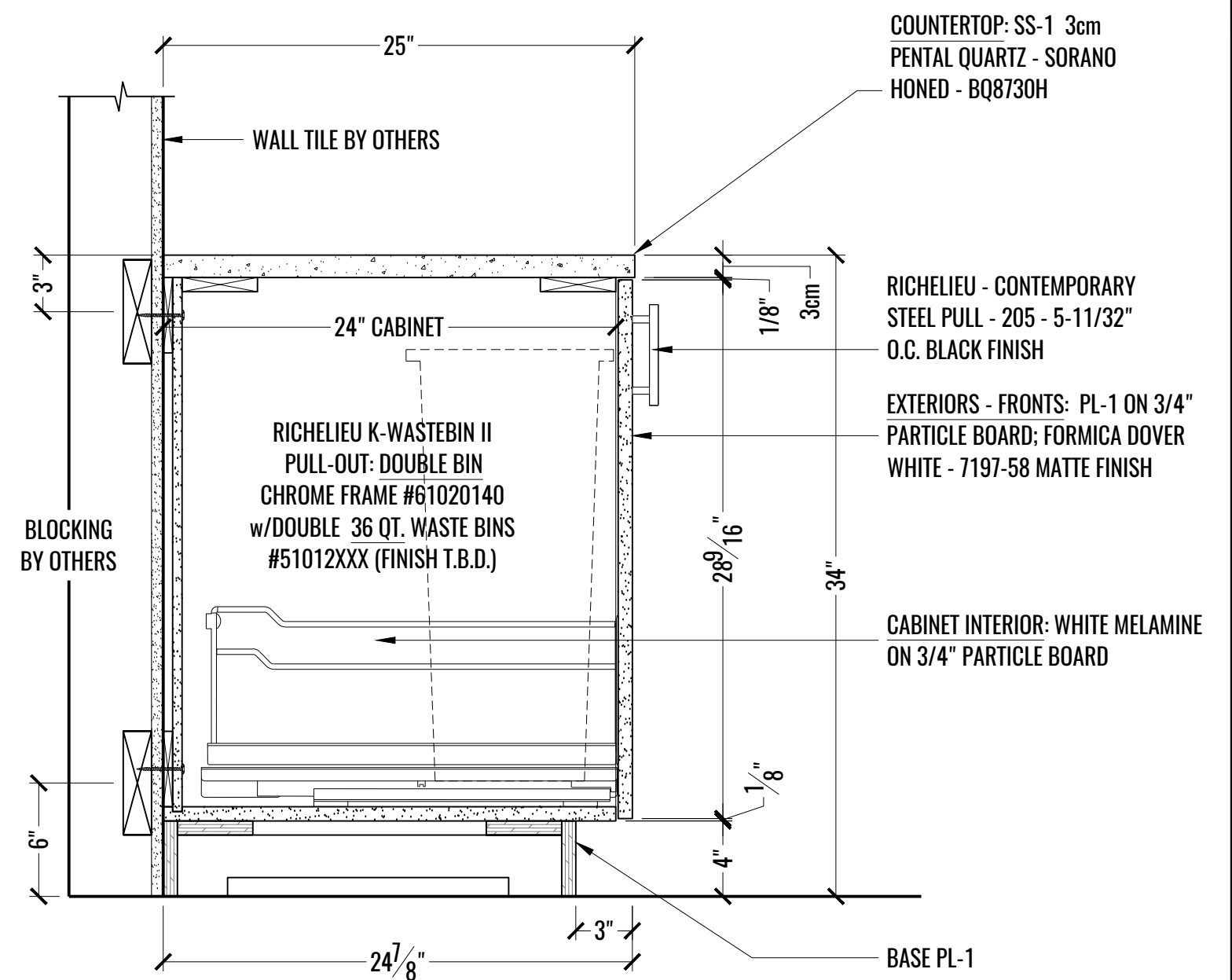


2 SECTION: BASE CABINET - CAFE LOUNGE - 617  
A SCALE: 1-1/2" = 1'-0"

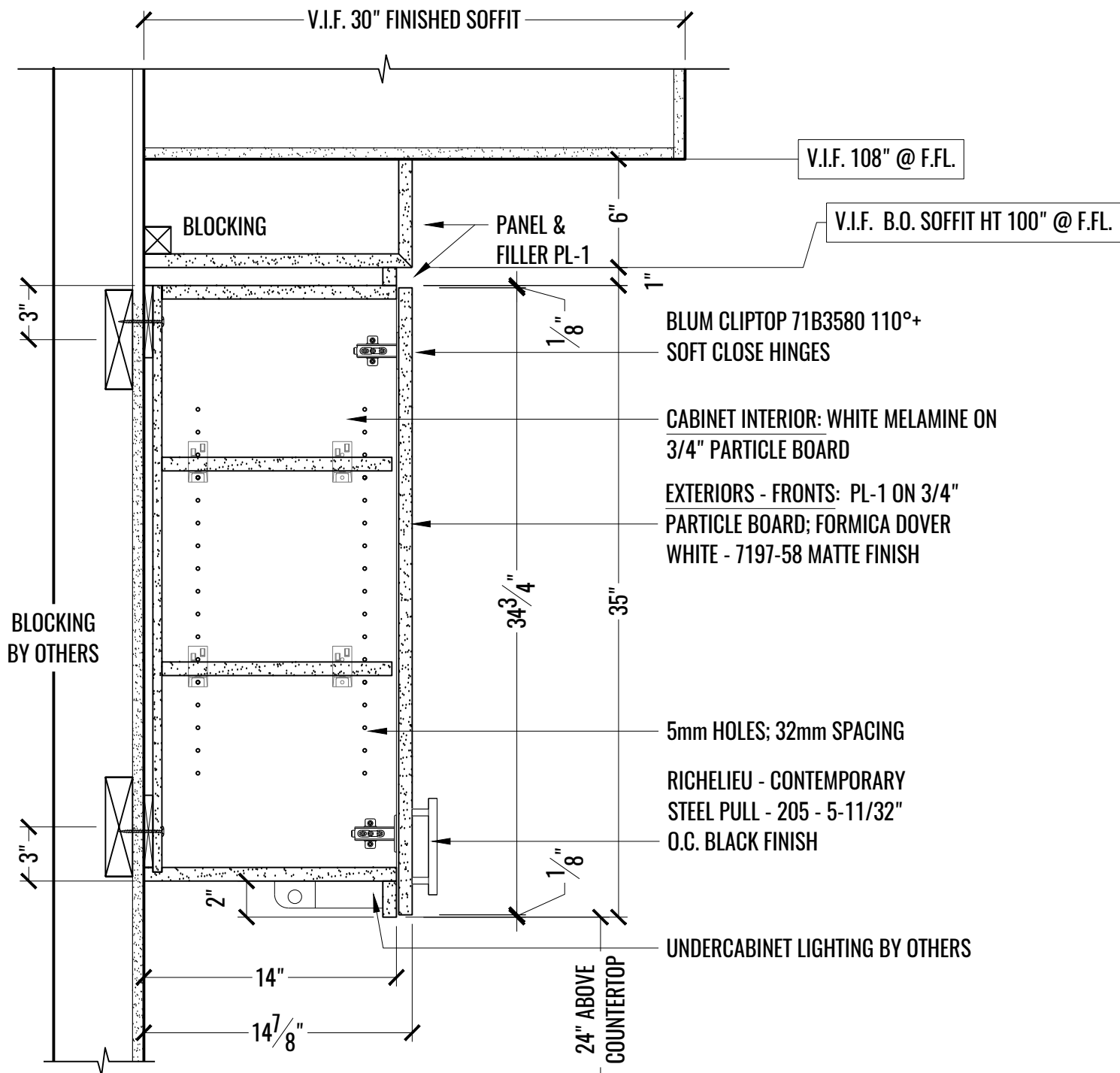




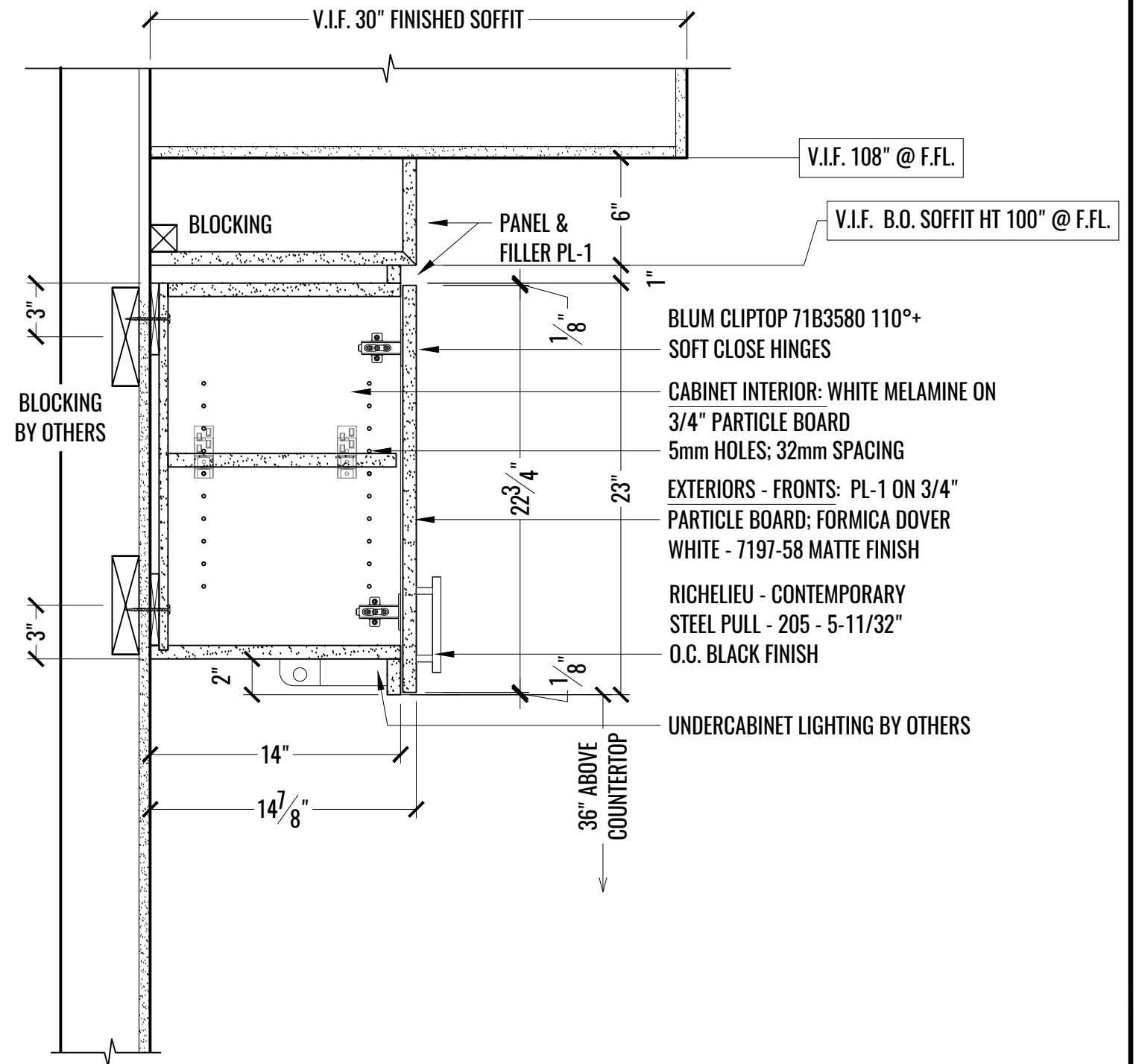
1 SECTION: SINK @ CAFE LOUNGE - 617  
B SCALE: 1-1/2" = 1'-0"



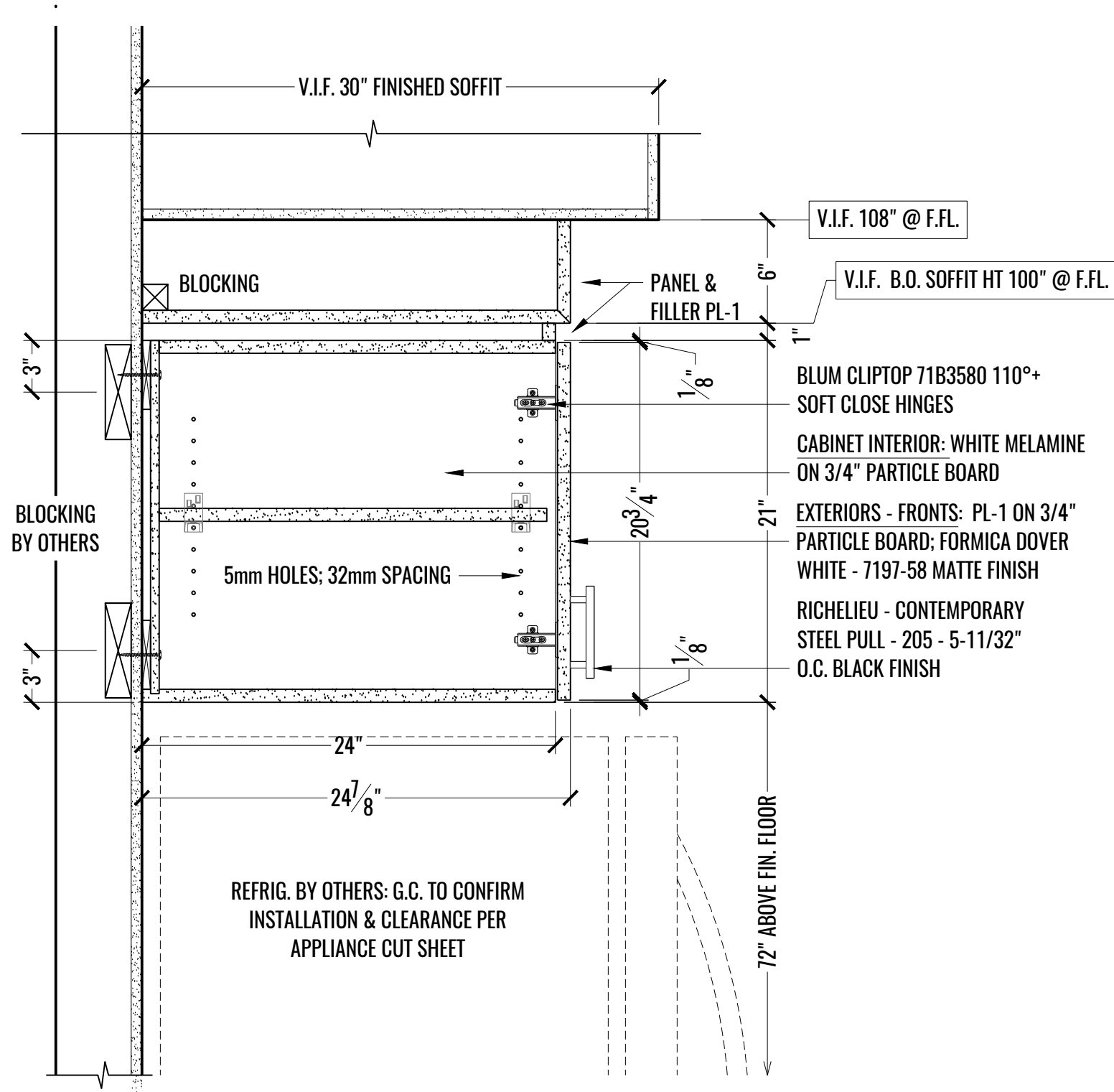
2 SECTION: TRASH/RECYCLE ROLLOUT @ CAFE LOUNGE - 617  
B SCALE: 1-1/2" = 1'-0"



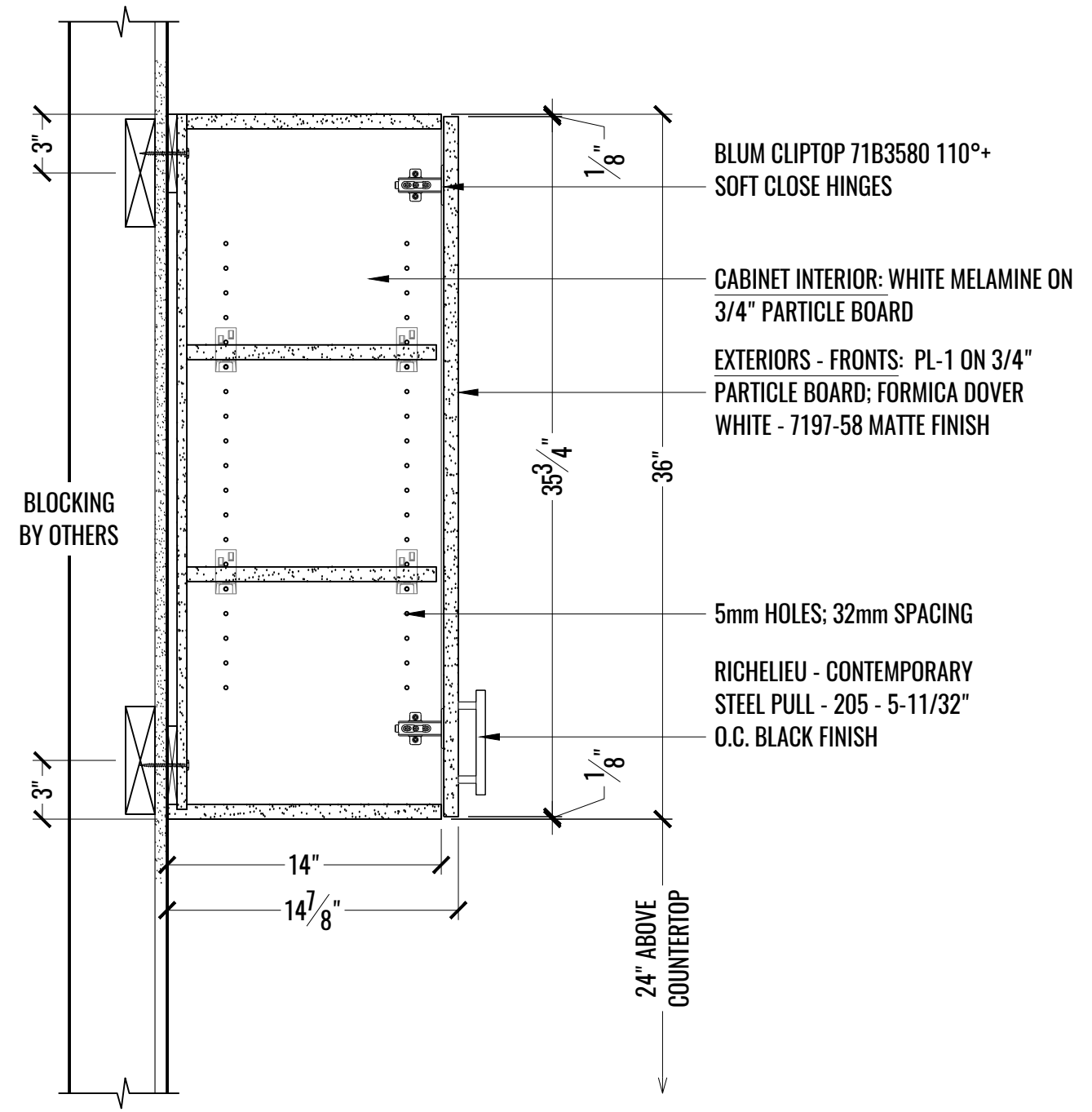
1 SECTION: UPPER CABINETS W/FILLER (36" H) & 6" PANEL ABOVE @ CAFE LOUNGE - 617  
 C SCALE: 1-1/2" = 1'-0"



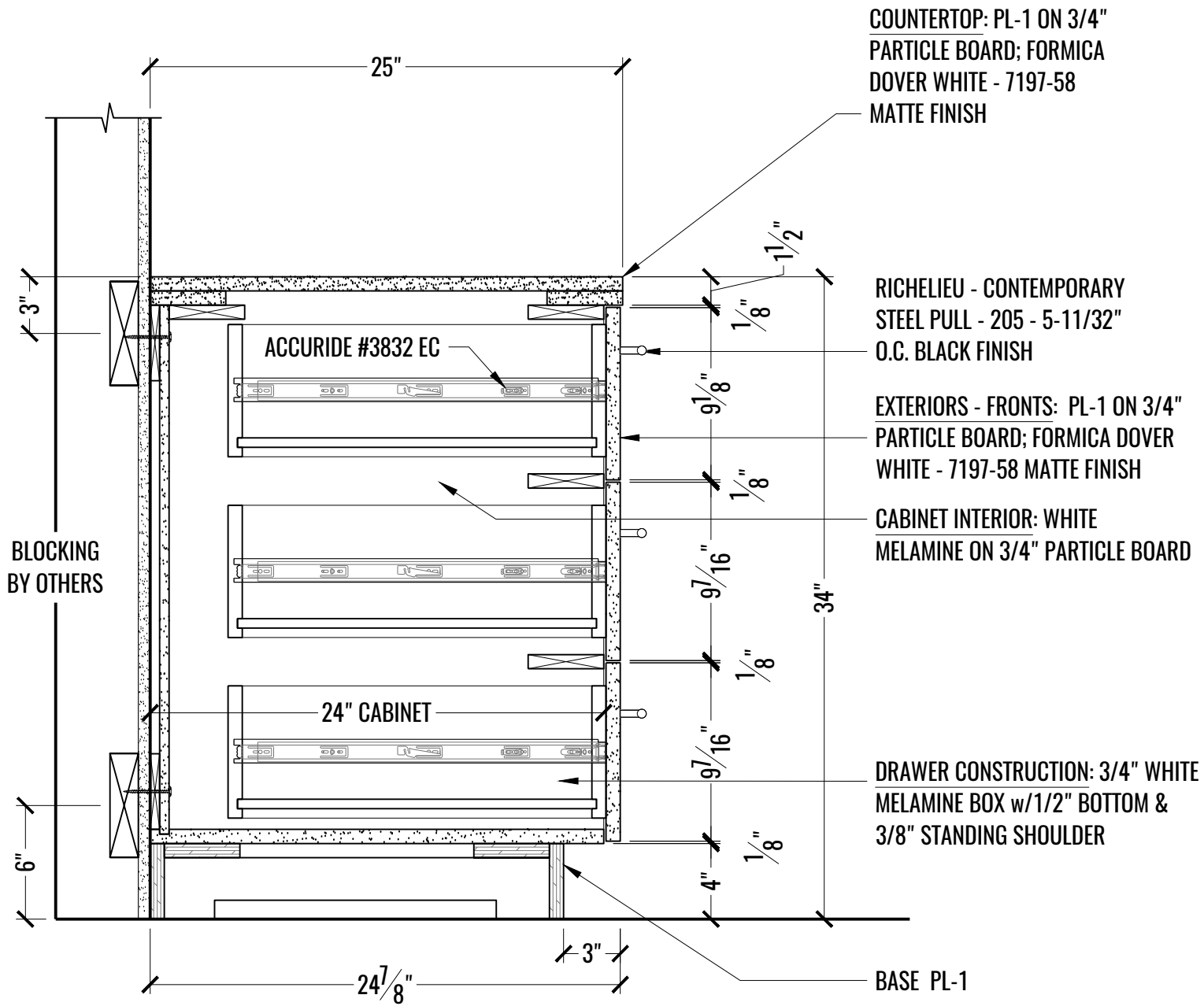
2 SECTION: UPPER CABINETS W/FILLER (24" H) & 6" PANEL ABOVE @ CAFE LOUNGE - 617  
 C SCALE: 1-1/2" = 1'-0"



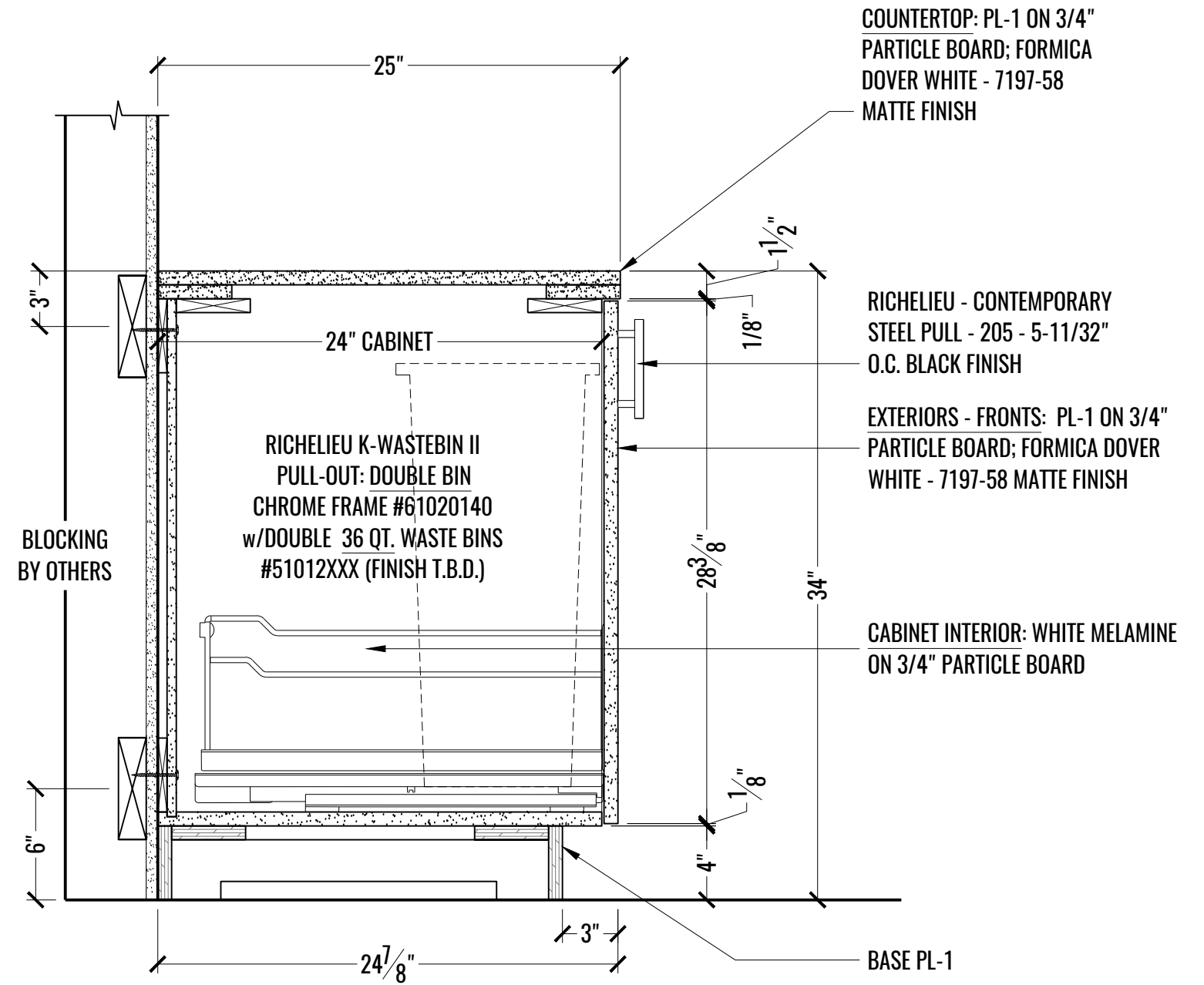
1 SECTION: UPPER CABINETS W/FILLER (22" H) & 6" PANEL ABOVE CAFE LOUNGE - 617  
 D SCALE: 1-1/2" = 1'-0"



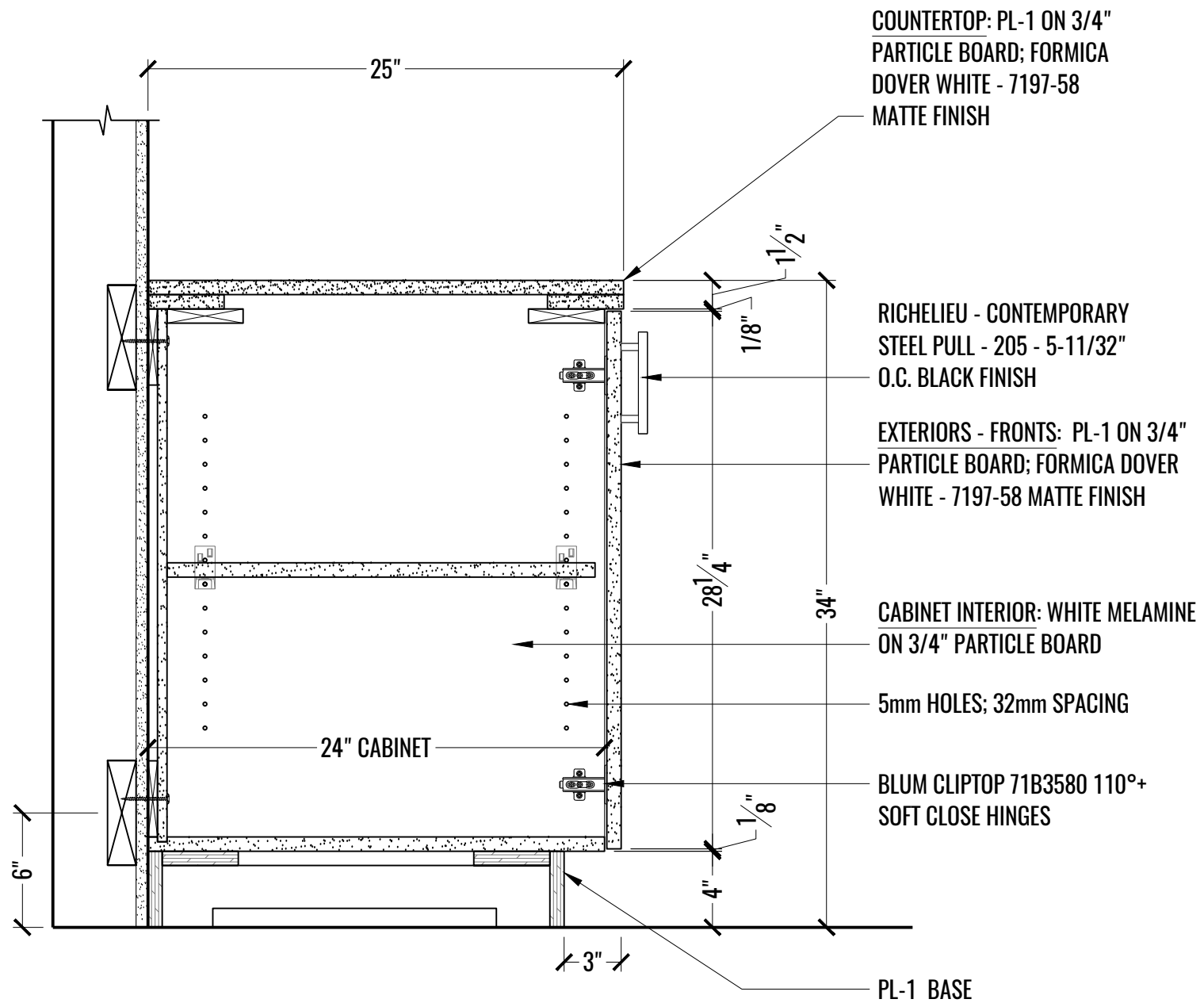
2 SECTION: UPPER CABINETS (36" H) @ COPY ROOM - 606  
 D SCALE: 1-1/2" = 1'-0"



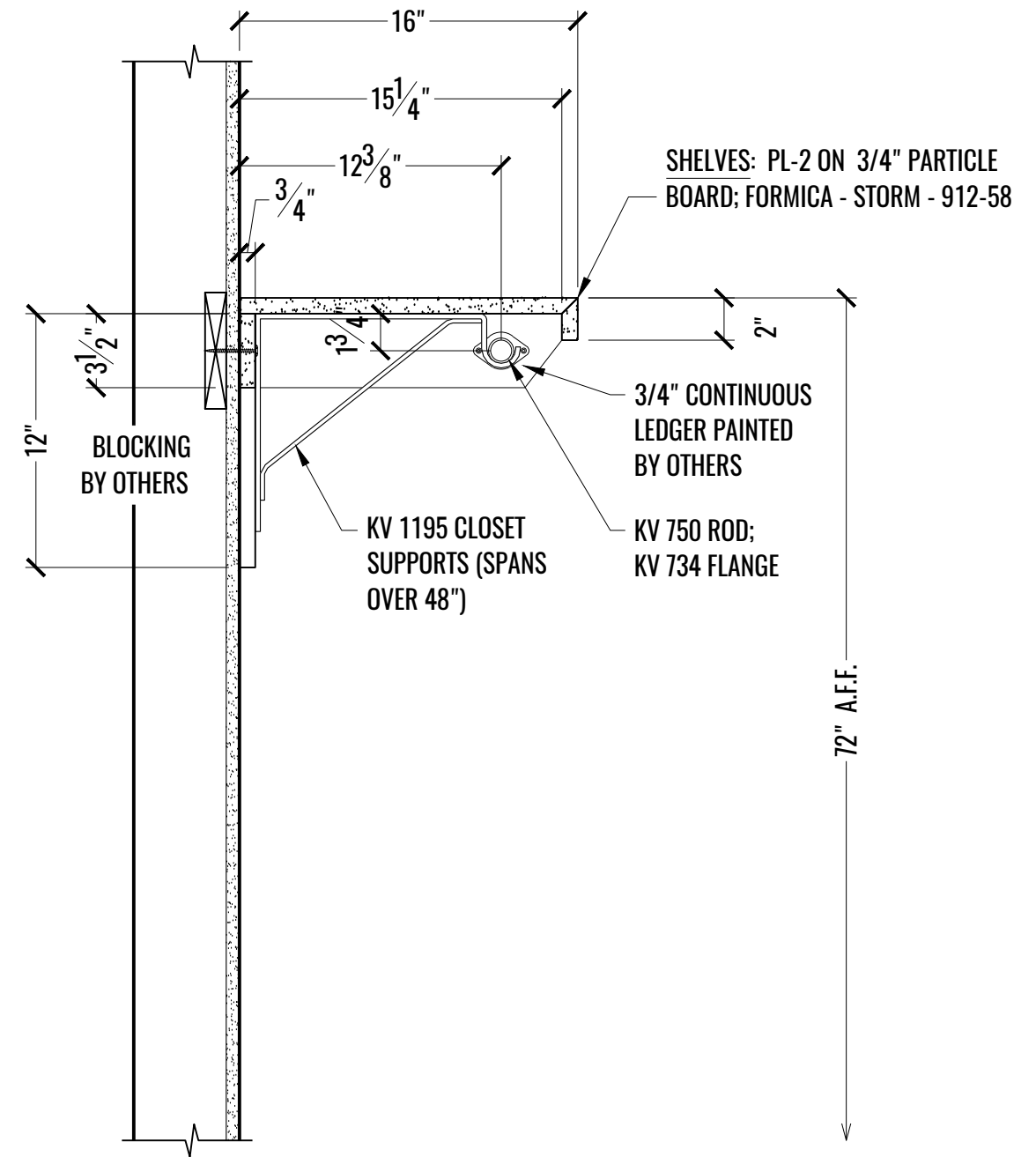
1 SECTION: BASE CABINET W/DRAWER @ COPY ROOM - 606  
E SCALE: 1-1/2" = 1'-0"



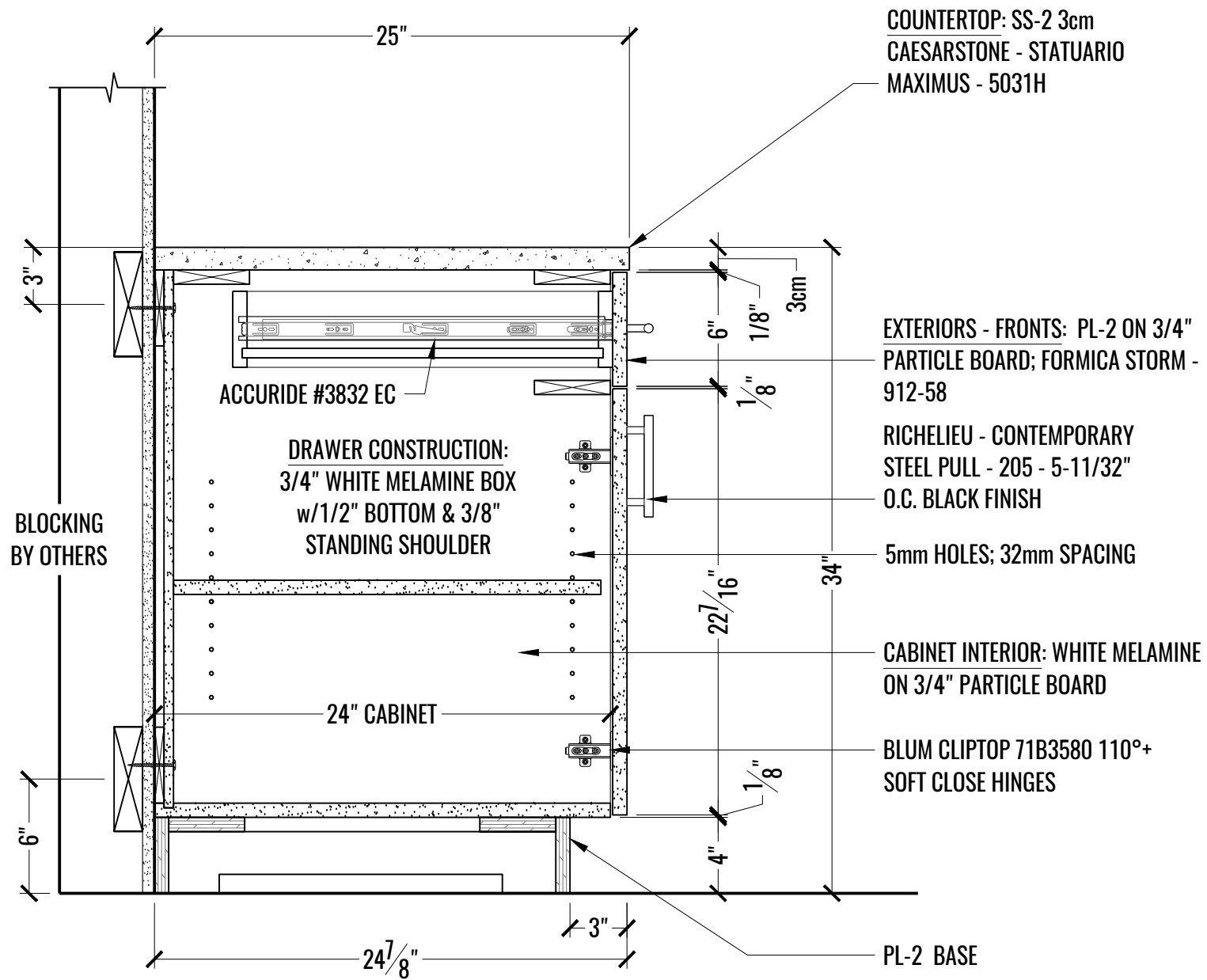
2 SECTION: TRASH/RECYCLE ROLLOUT - COPY ROOM - 606  
E SCALE: 1-1/2" = 1'-0"



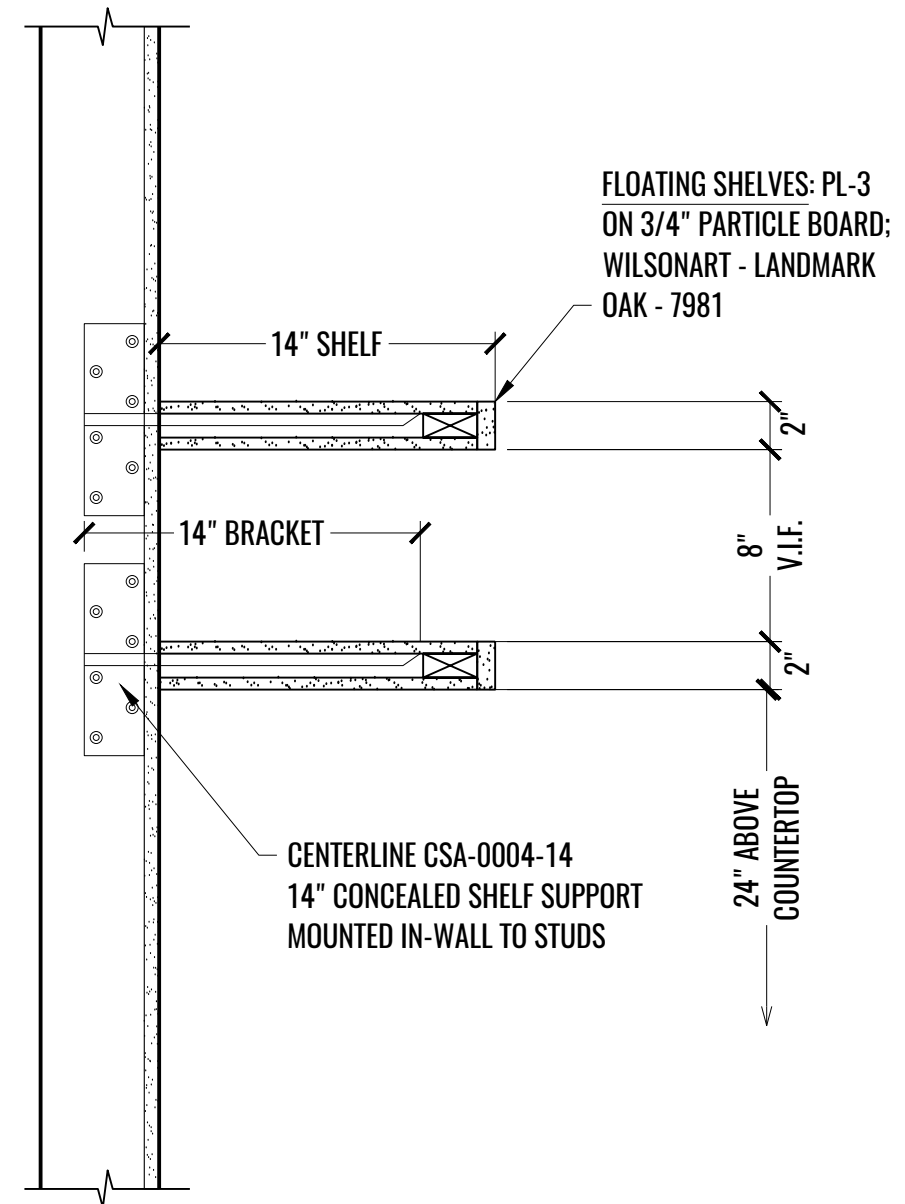
1 SECTION: BASE CABINET @ COPY ROOM - 606  
F SCALE: 1-1/2" = 1'-0"



2 SECTION: CLOSET ROD/SHELF - COATS - 601A  
F SCALE: 1-1/2" = 1'-0"



1 SECTION: BASE CABINET W/DRAWER @ RECEPTION COFFE BAR - 601  
G SCALE: 1-1/2" = 1'-0"



2 SECTION: FLOATING SHELVES @ RECEPTION COFFEE BAR - 601  
G SCALE: 1-1/2" = 1'-0"