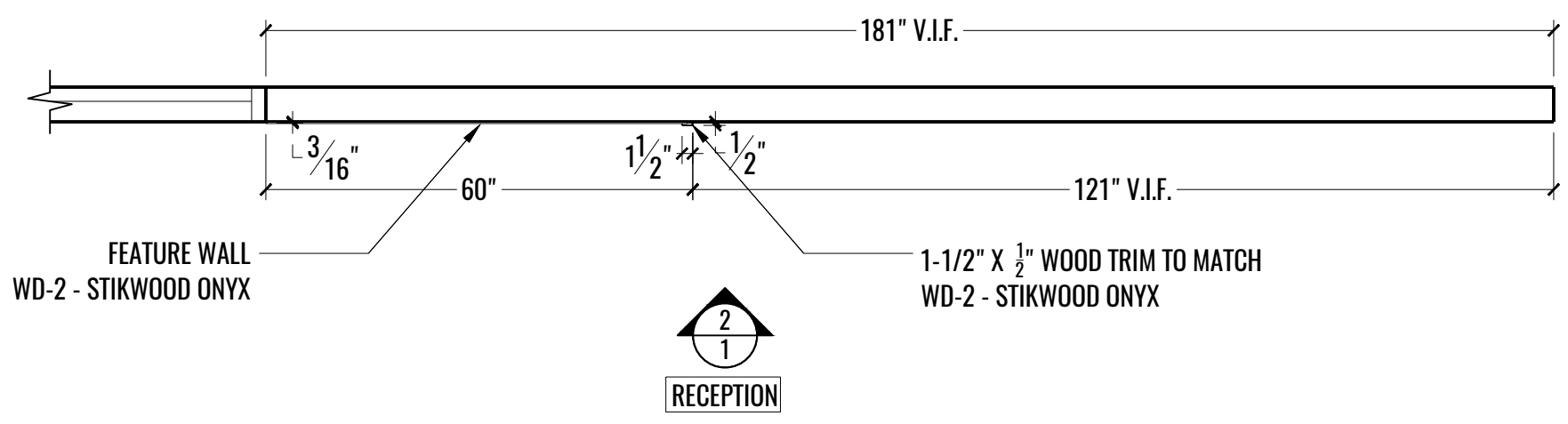
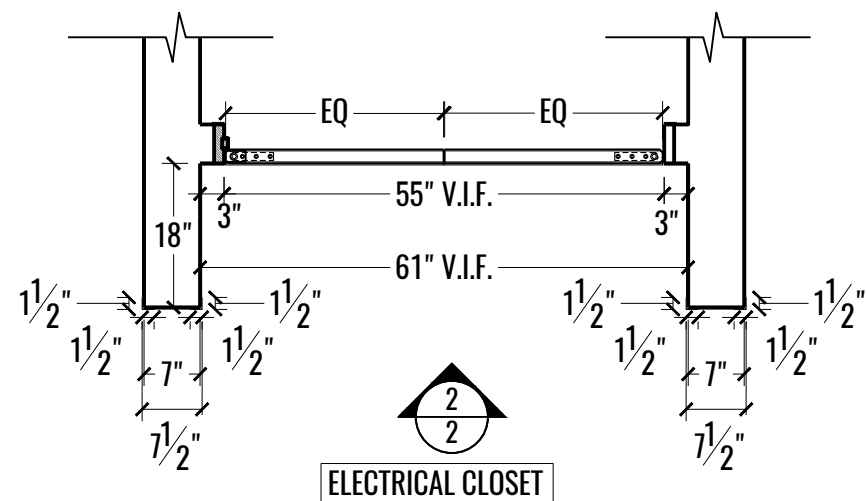


2
1 ELEVATION: FEATURE WALL @ RECEPTION
 SCALE: 1/2" = 1'-0"

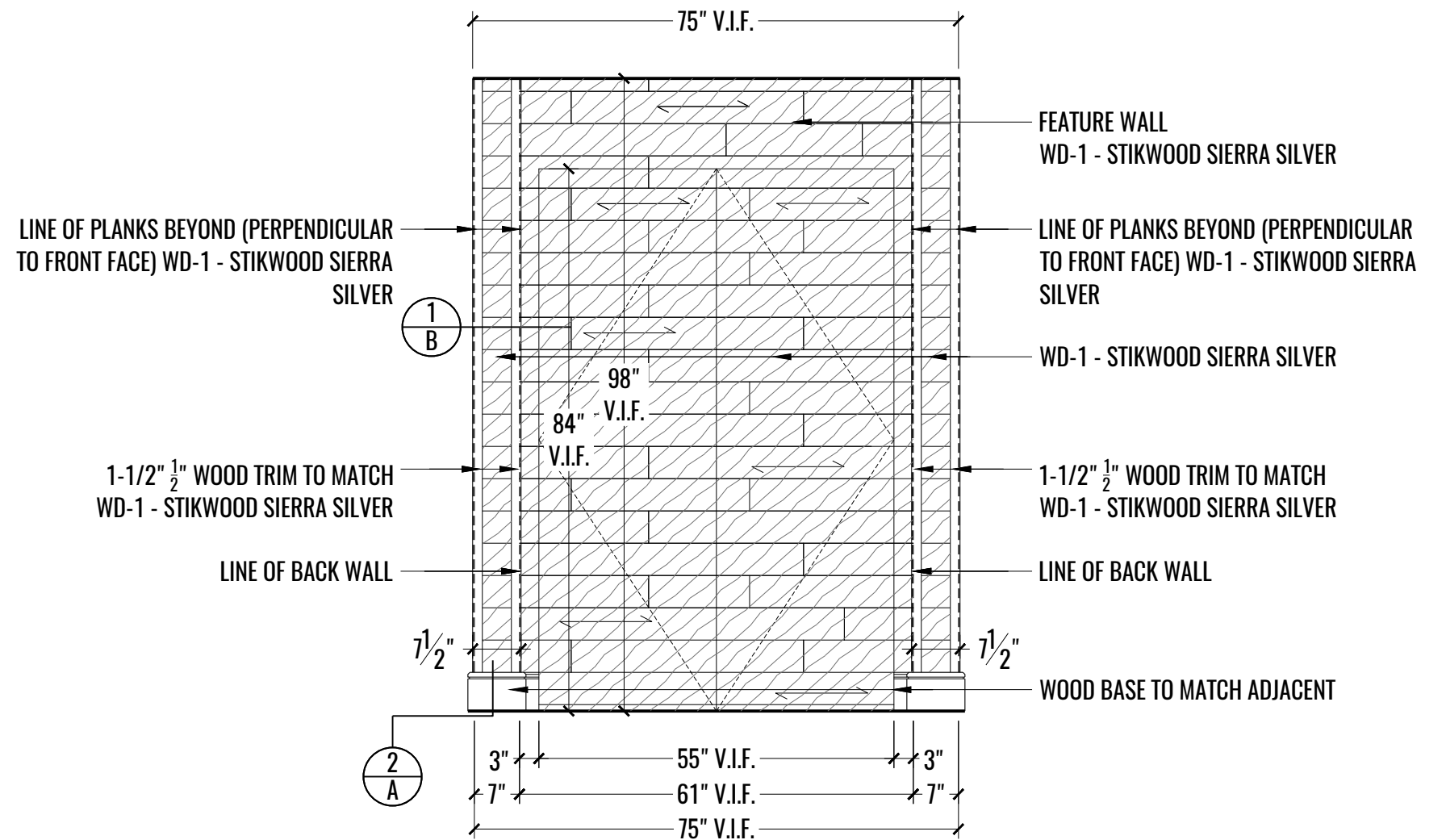


1
1 PLAN: FEATURE WALL @ RECEPTION
 SCALE: 1/2" = 1'-0"

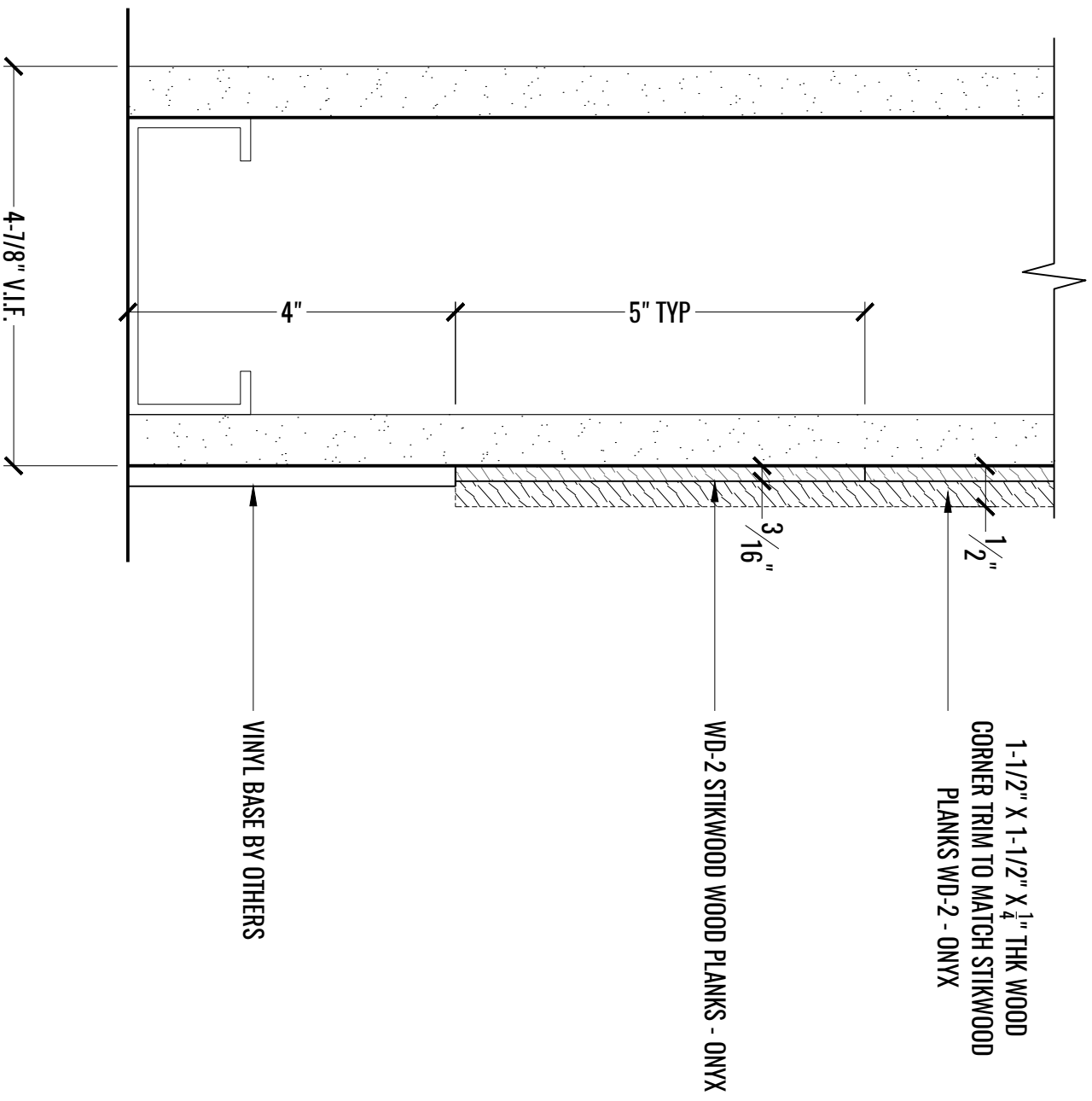




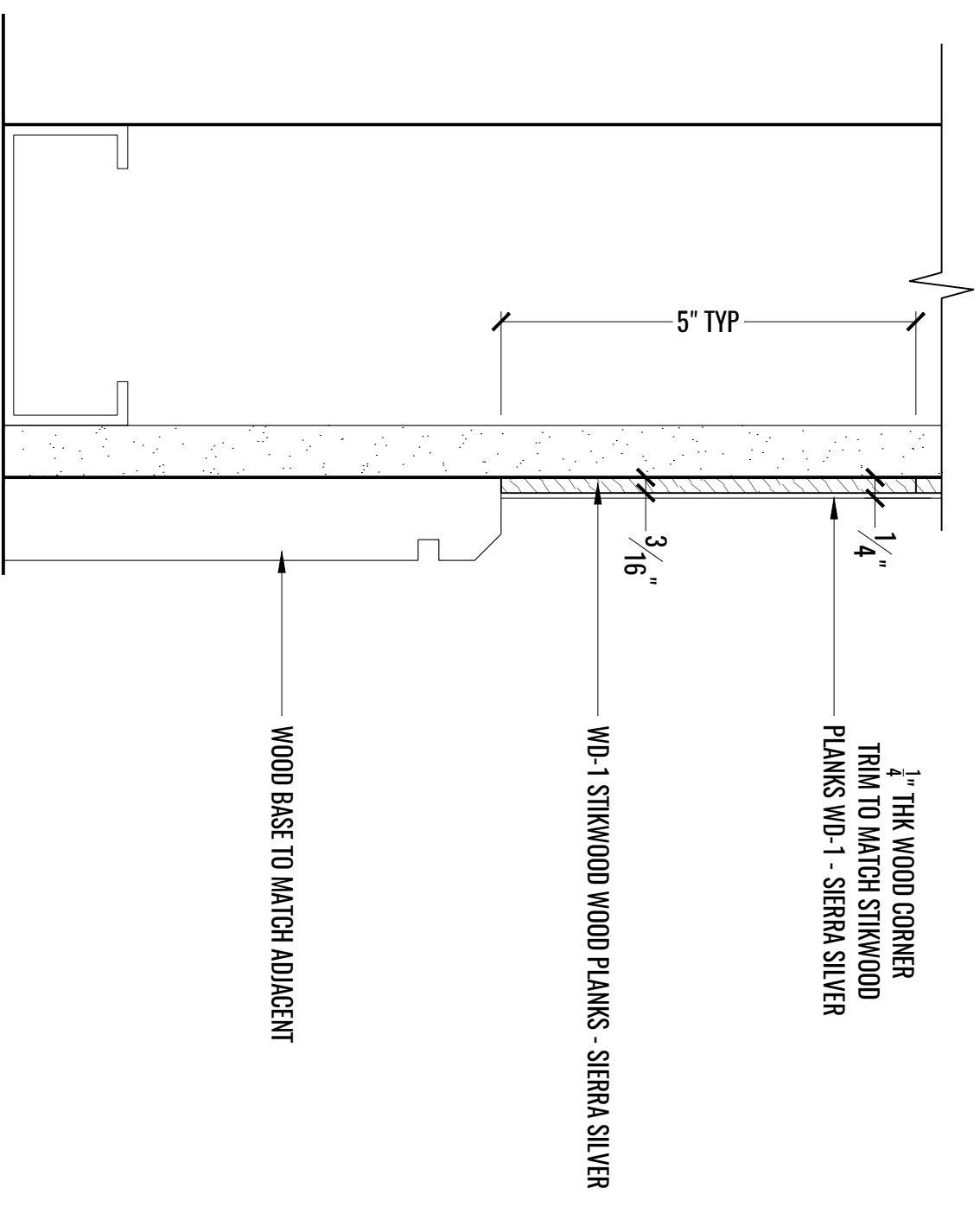
1 PLAN: ELECTRICAL CLOSET (FRONT FACE ENTRY)
2 SCALE: 1/2" = 1'-0"



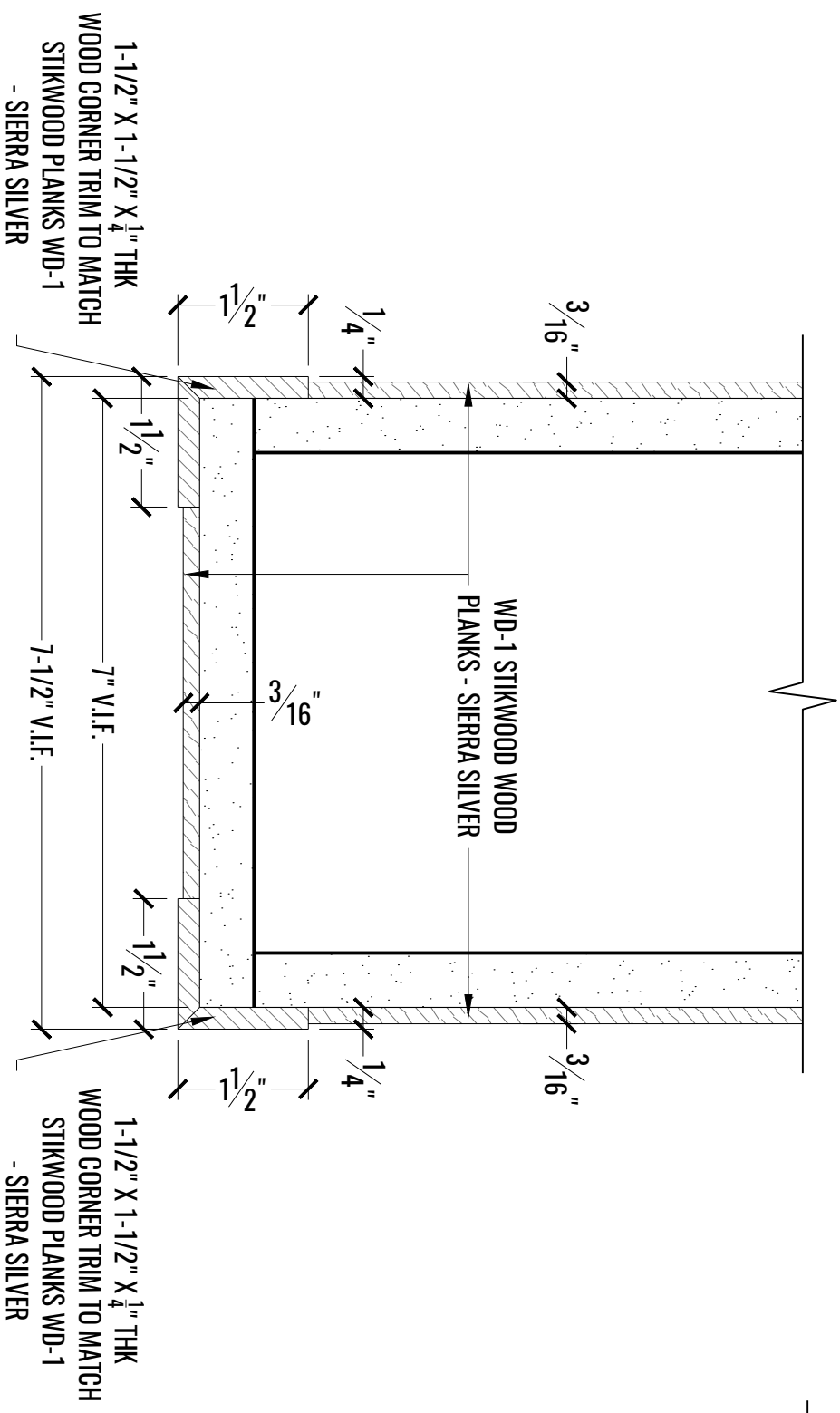
2 ELEVATION: ELECTRICAL CLOSET (FRONT FACE ENTRY)
2 SCALE: 1/2" = 1'-0"



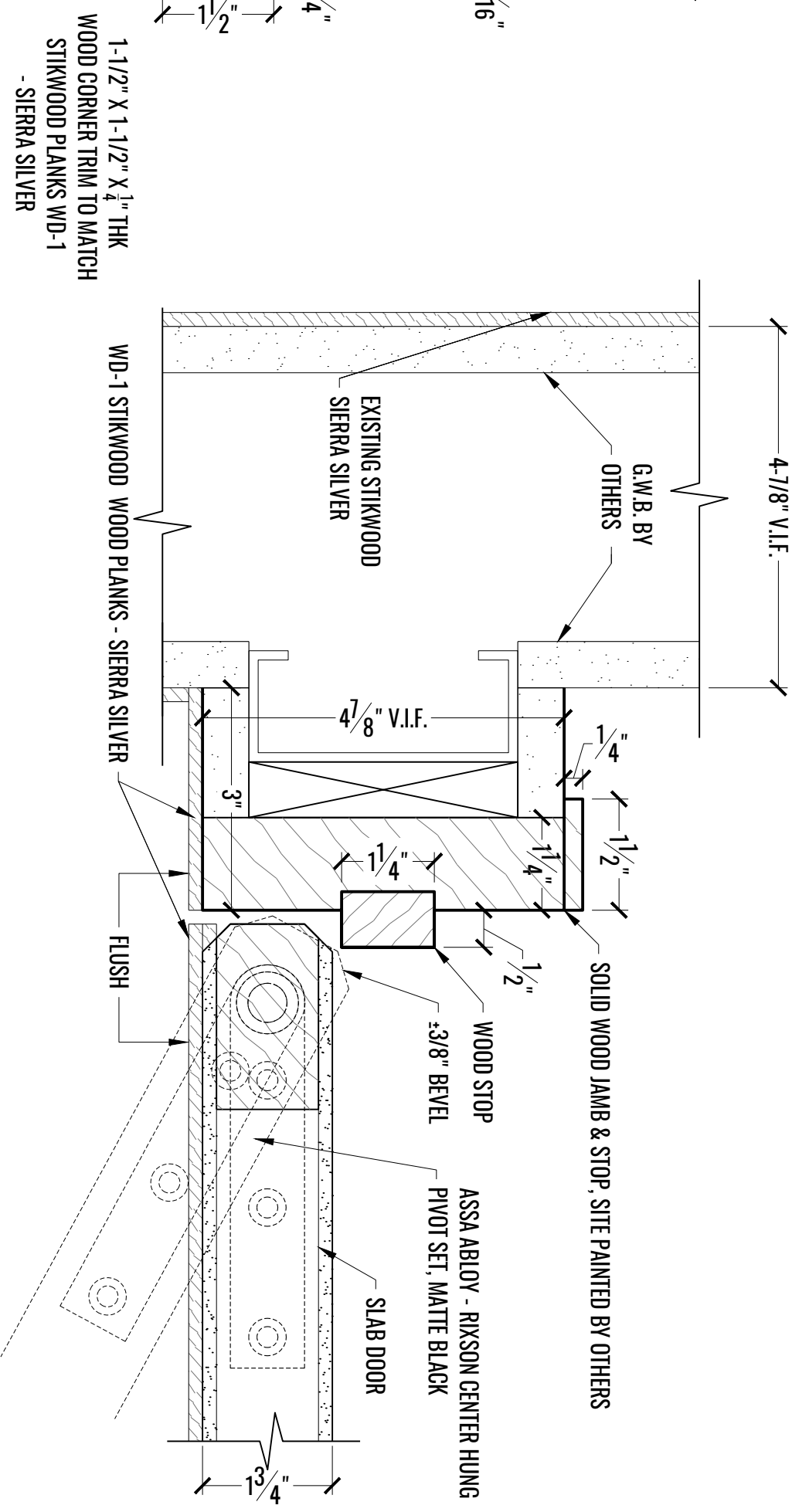
1 SECTION: FEATURE WALL @ RECEPTION
A SCALE: 6" = 1'-0"



2 SECTION: WOOD BASE & PANELS @ ELECTRICAL CLOSET
B SCALE: 6" = 1'-0"



1 SECTION: PLAN @ ENTRY OF ELECTRICAL CLOSET
SCALE: 6" = 1'-0"



2 SECTION: PLAN AT PIVOT HINGE - ELECTRICAL CLOSET
SCALE: 6" = 1'-0"