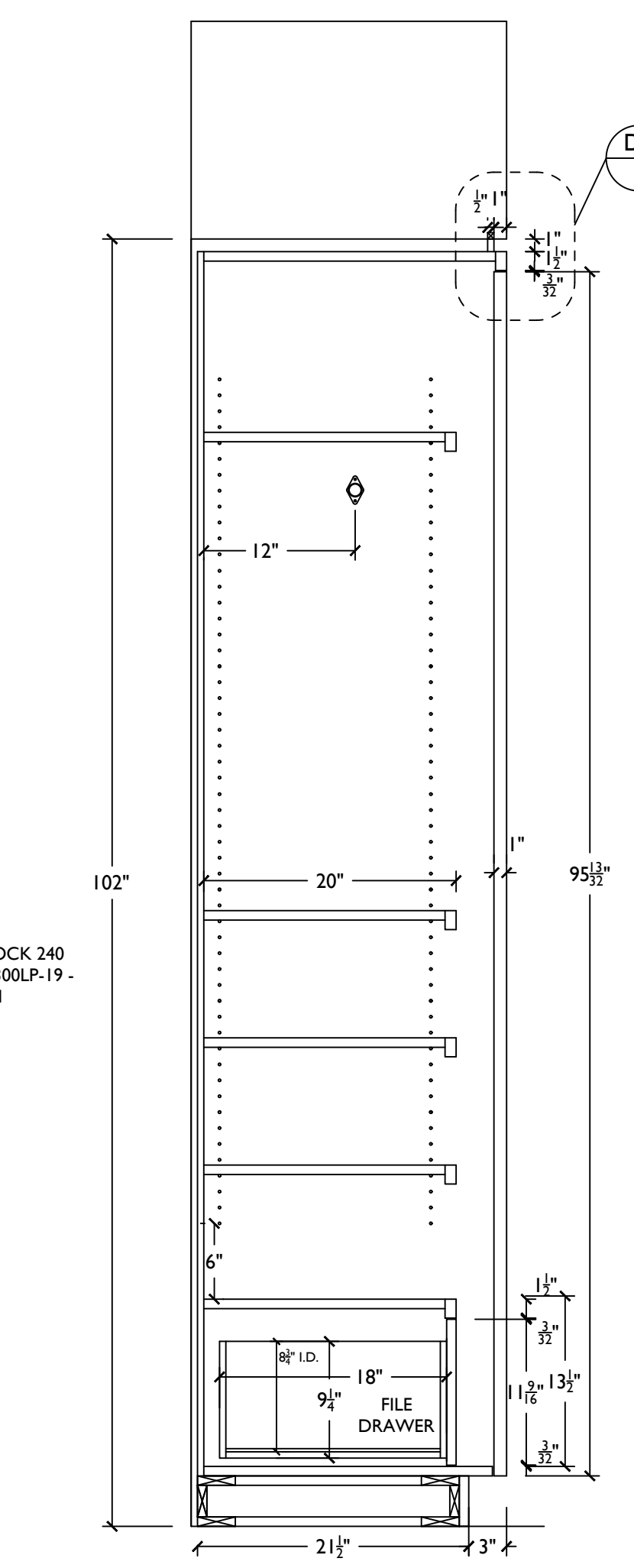
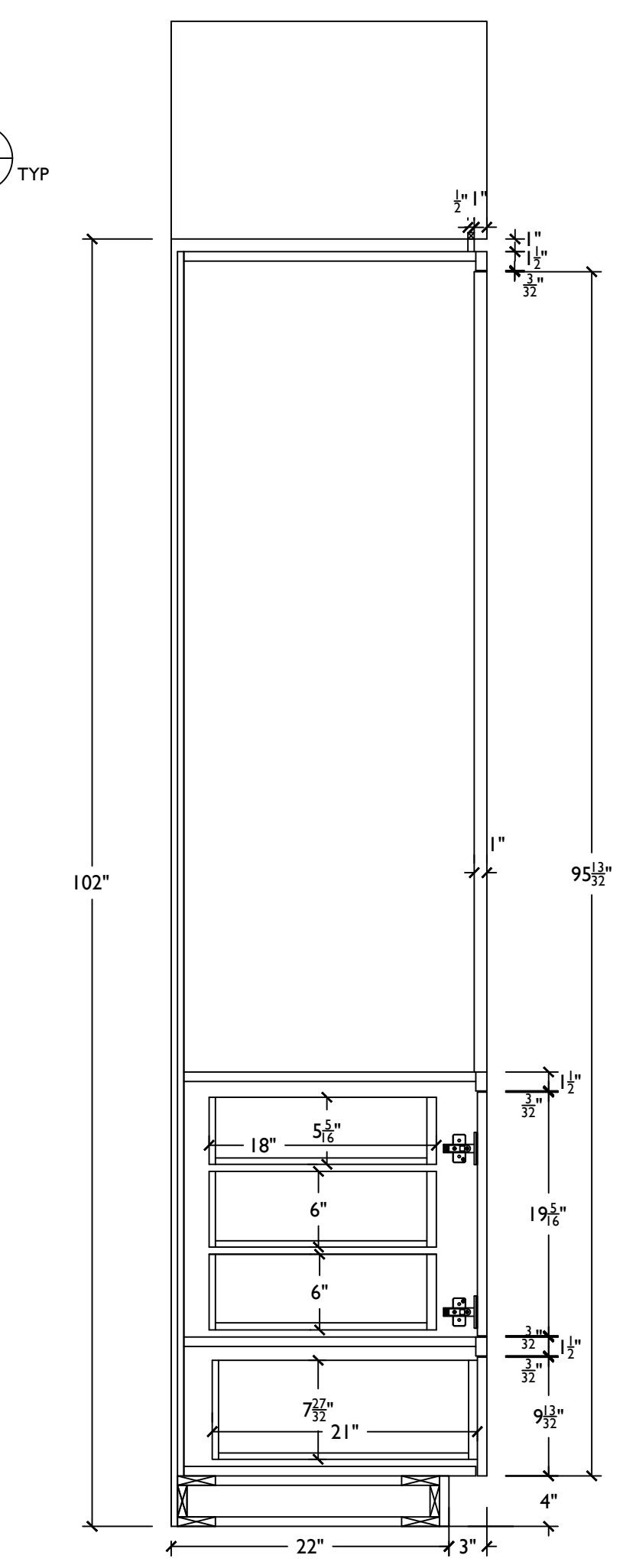


1
2
ELEVATION - OFFICE BUILT IN (EXTERIOR)
SCALE: 1"=1'-0"

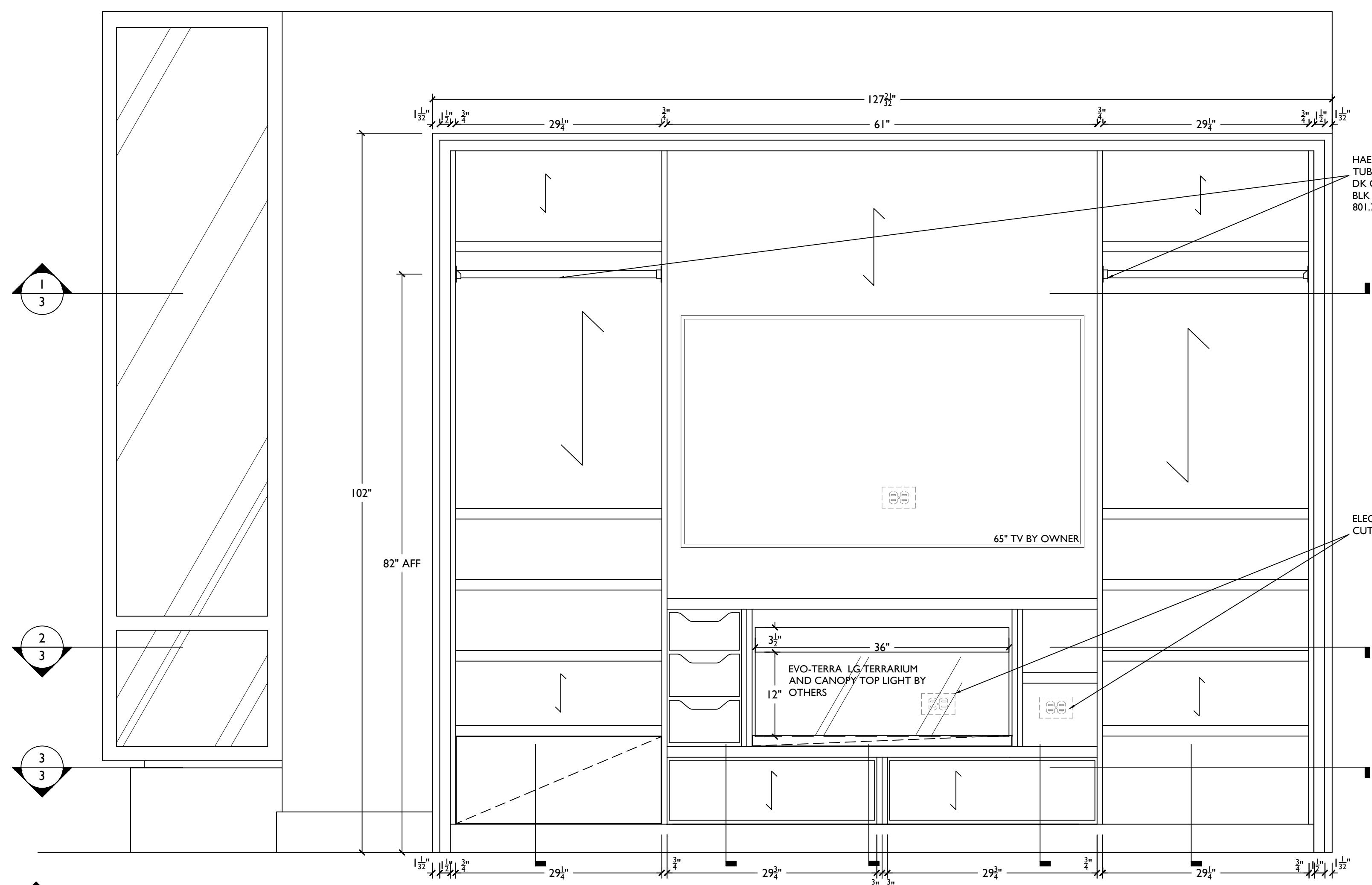
FINISHES:
EXTERIOR/INTERIOR: EAST INDIAN ROSEWOOD
(BUFFED FULL GLOSS FINISH ON EXPOSED SURFACES ONLY)



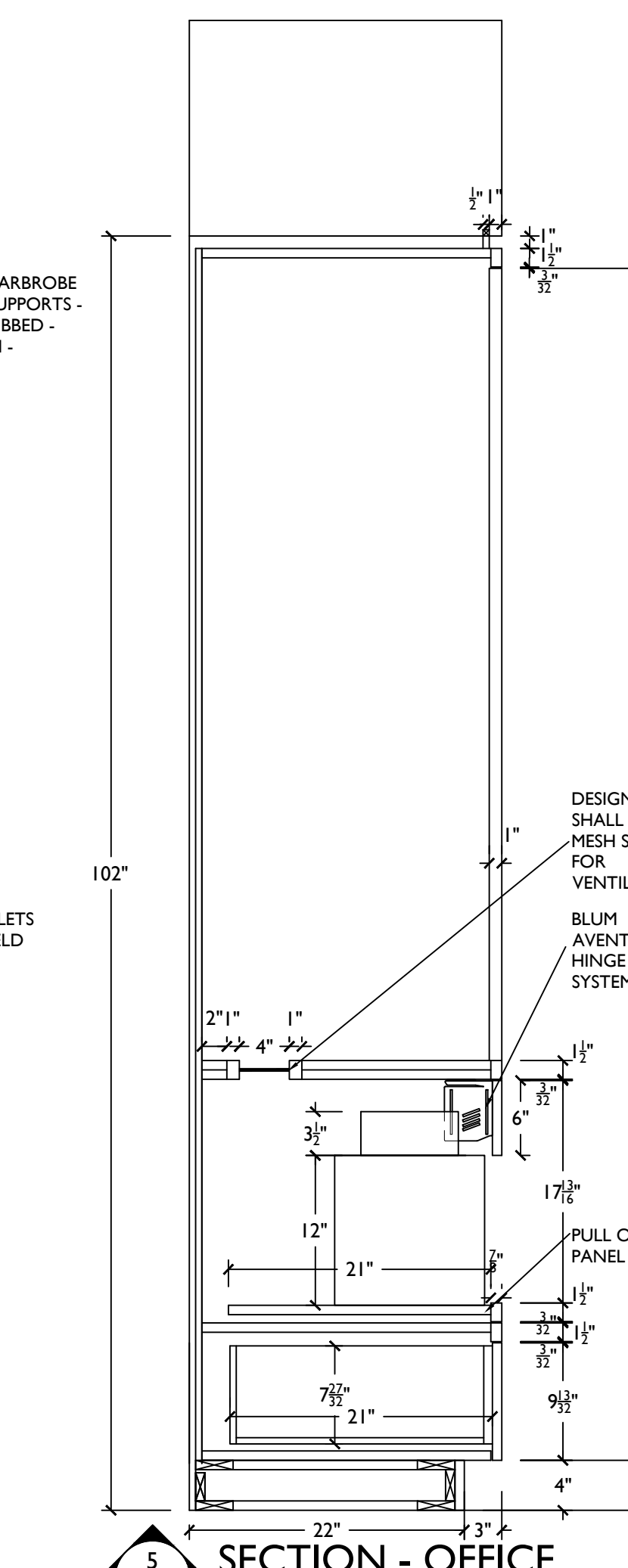
3
2
SECTION - OFFICE
SCALE: 1"=1'-0"



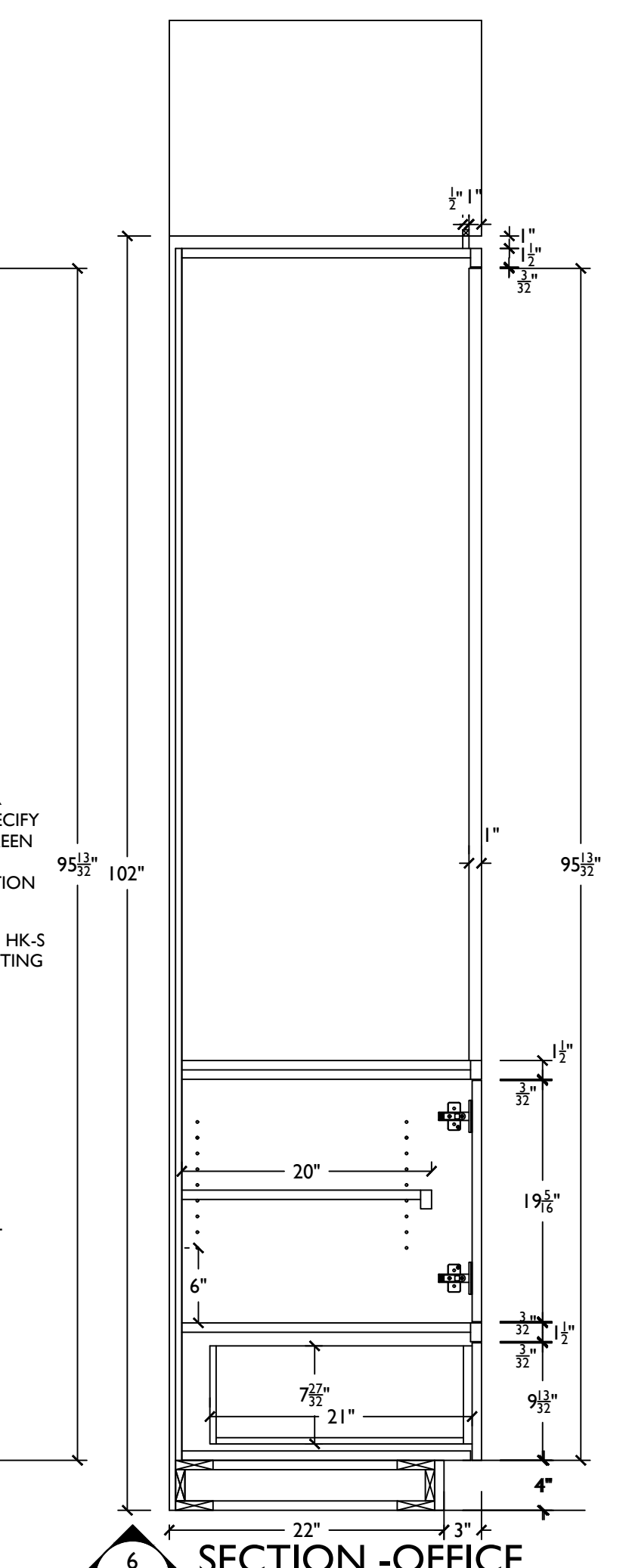
4
2
SECTION - OFFICE
SCALE: 1"=1'-0"



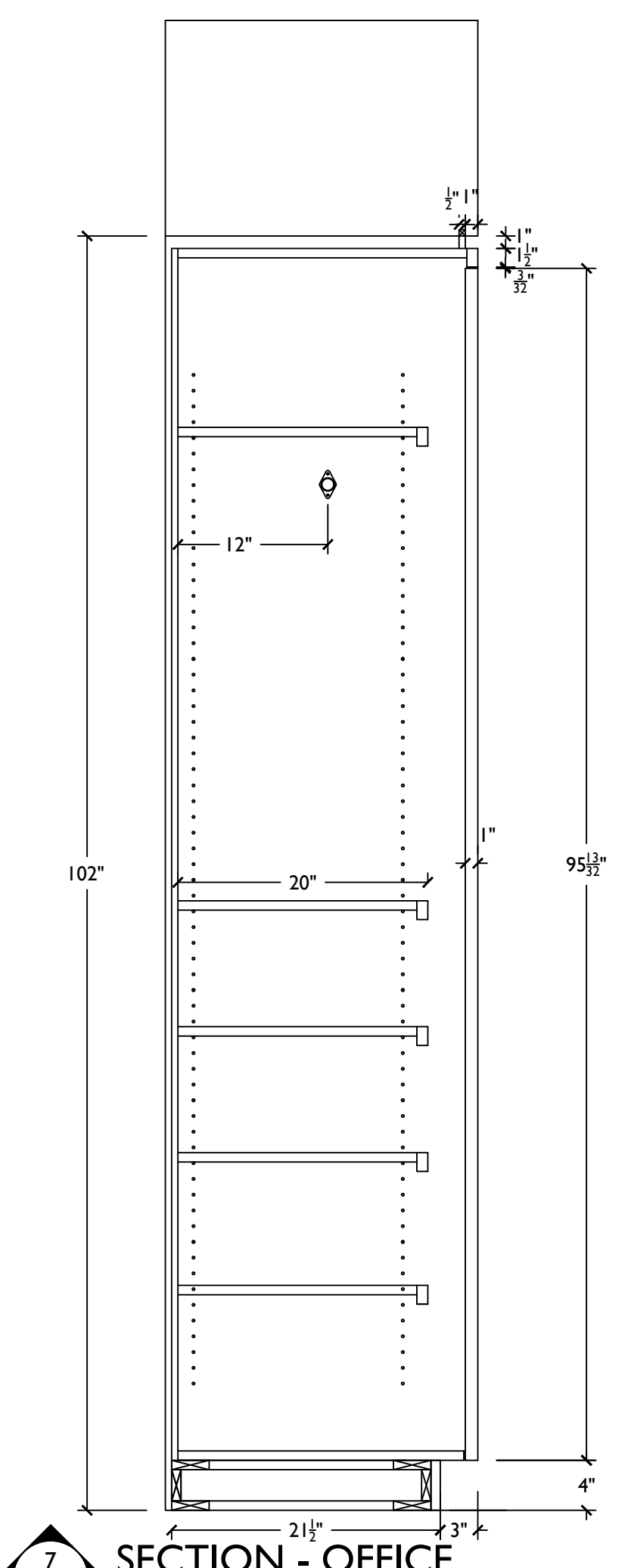
2
2
ELEVATION - OFFICE BUILT IN (INTERIOR)
SCALE: 1"=1'-0"



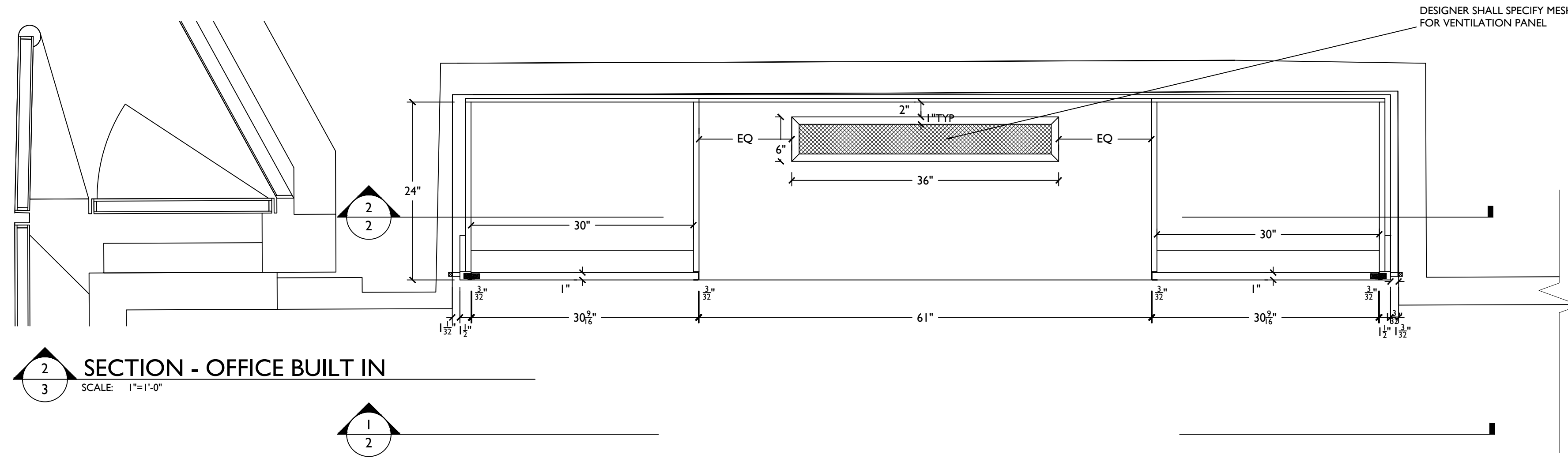
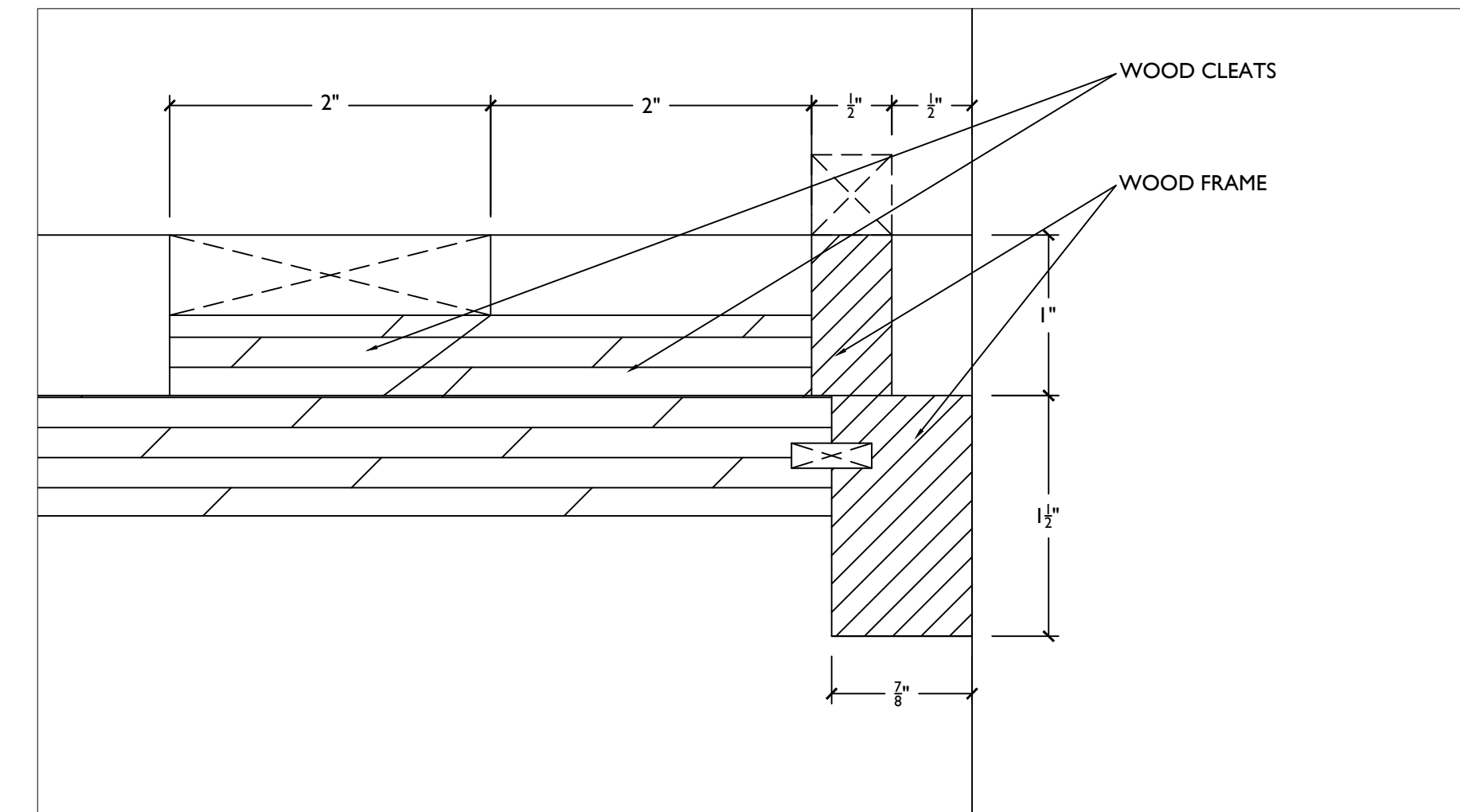
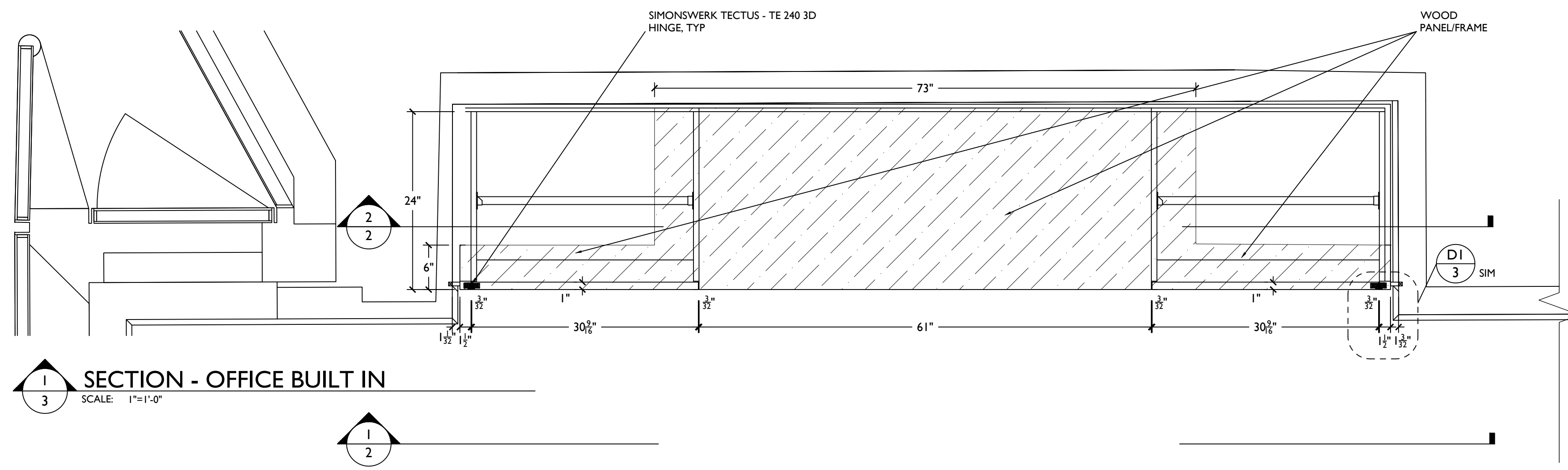
5
2
SECTION - OFFICE
SCALE: 1"=1'-0"



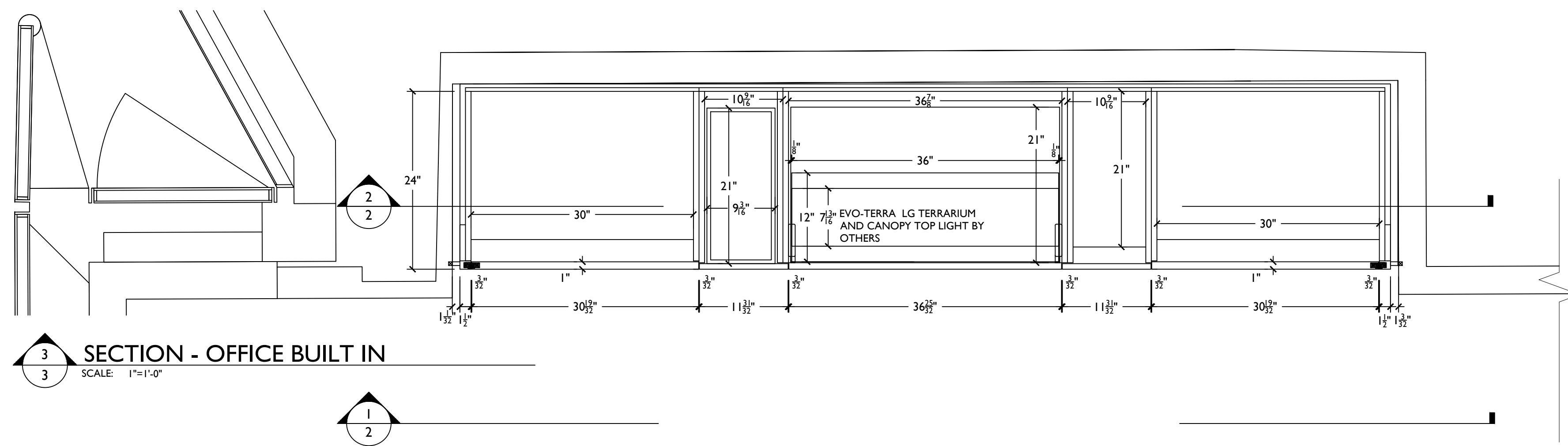
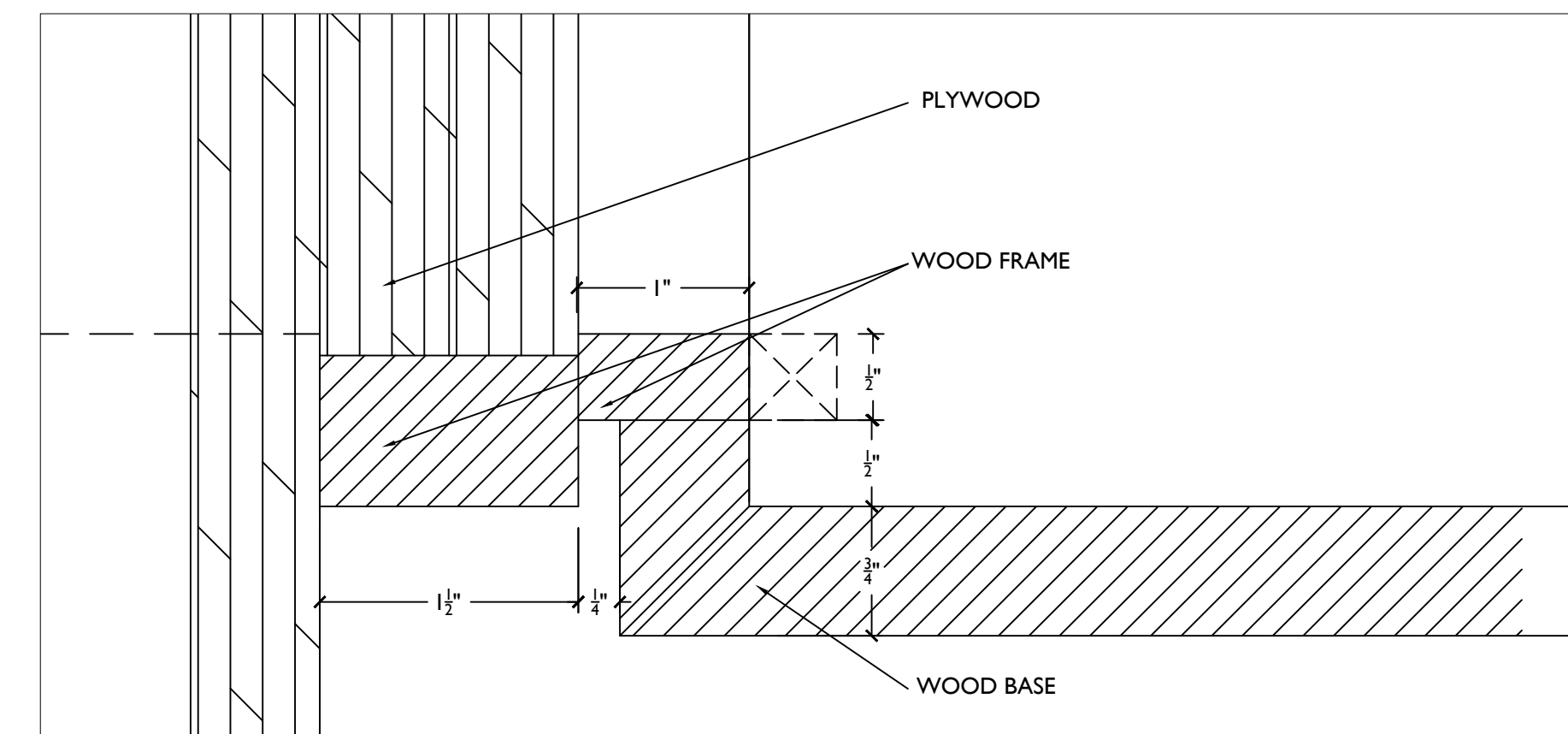
6
2
SECTION - OFFICE
SCALE: 1"=1'-0"



7
2
SECTION - OFFICE
SCALE: 1"=1'-0"



D1/3 TYP. FRAME DETAIL/REVEAL @ UNDERSIDE OF SOFFIT
SCALE: FULL SIZE



D2/3 TYP. FRAME DETAIL/REVEAL @ BASE TRANSITION
SCALE: FULL SIZE

