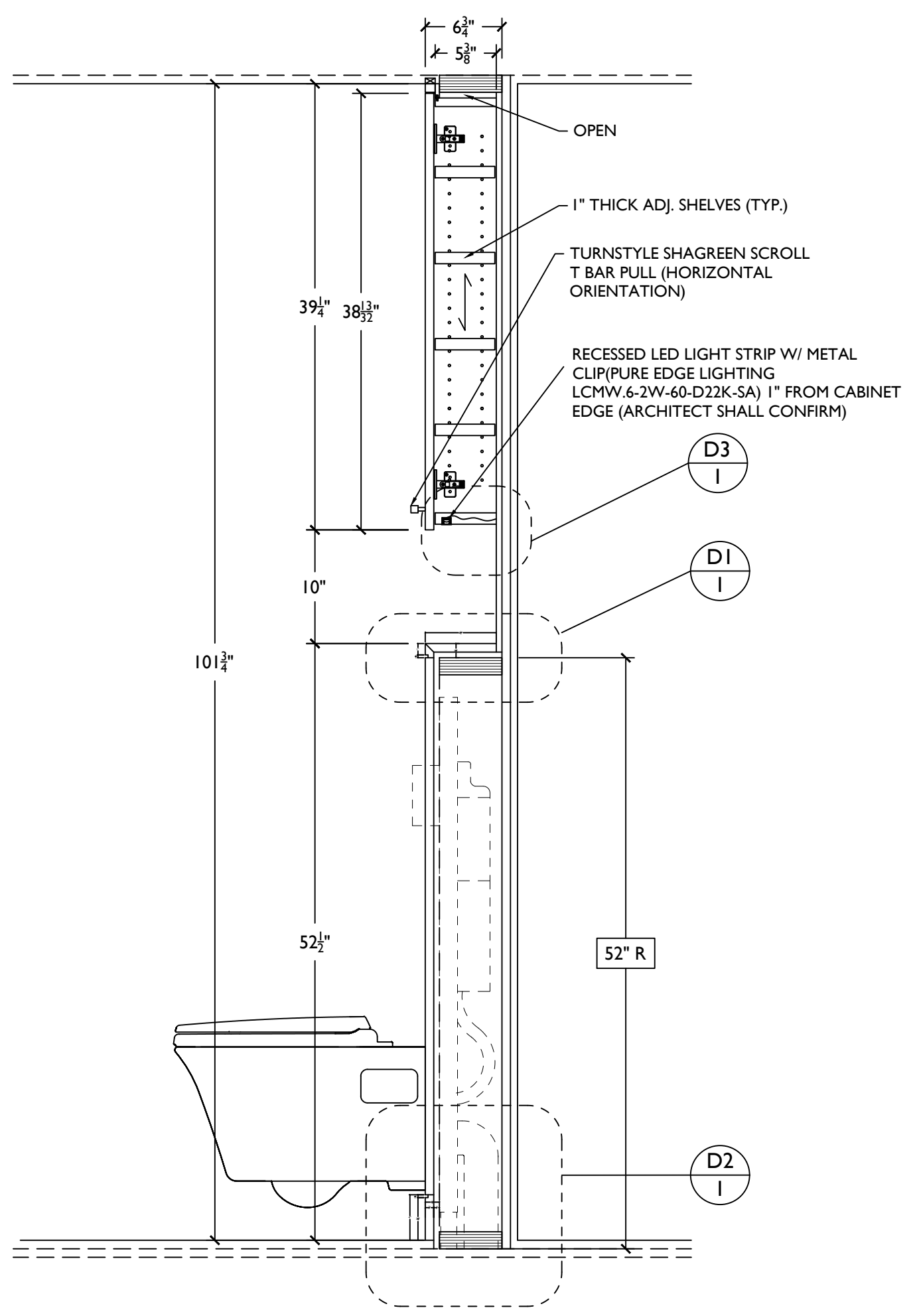
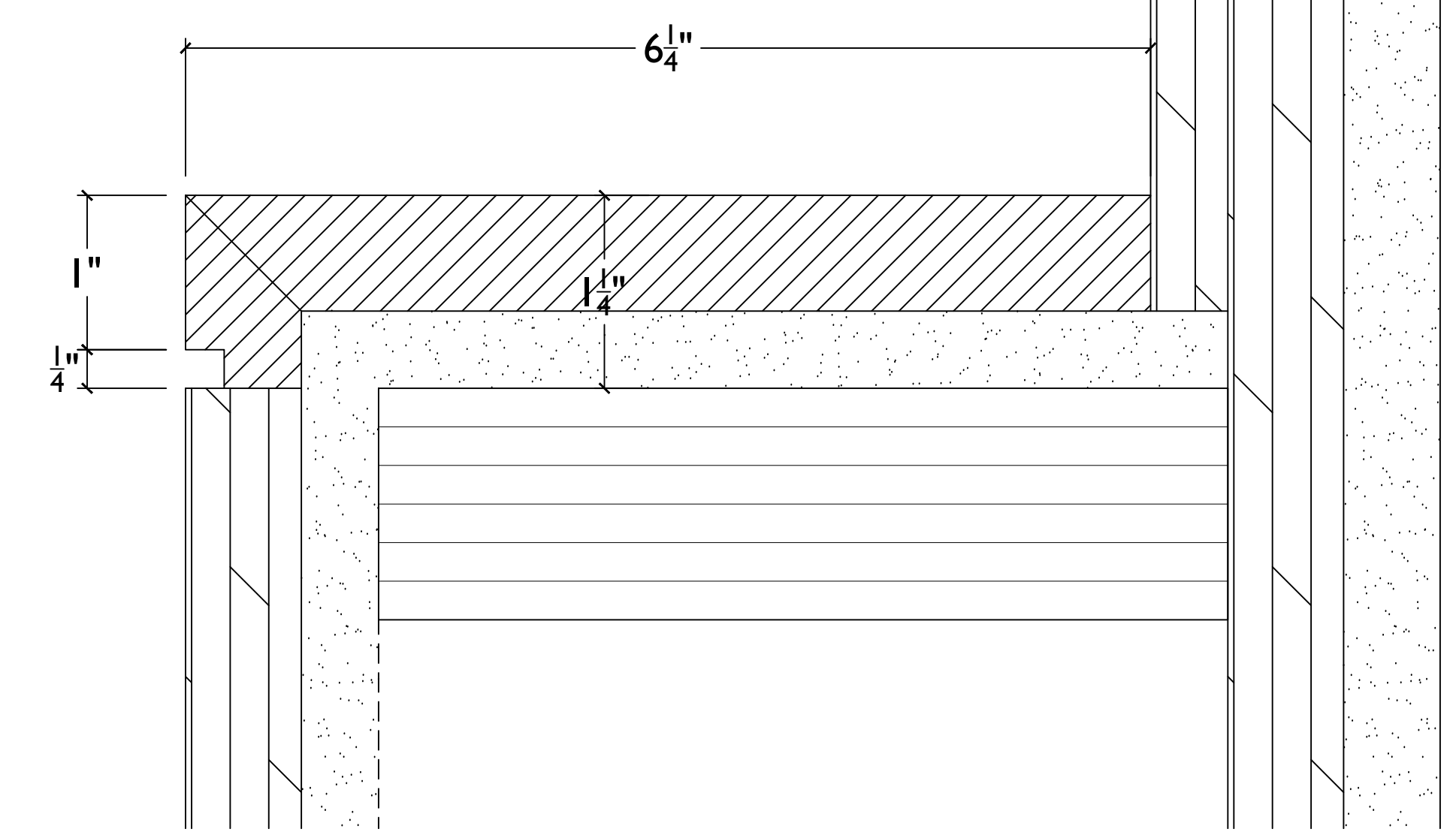


**ELEVATION**  
SCALE: 1"=1'-0" ARCH REF: 5/AS.12

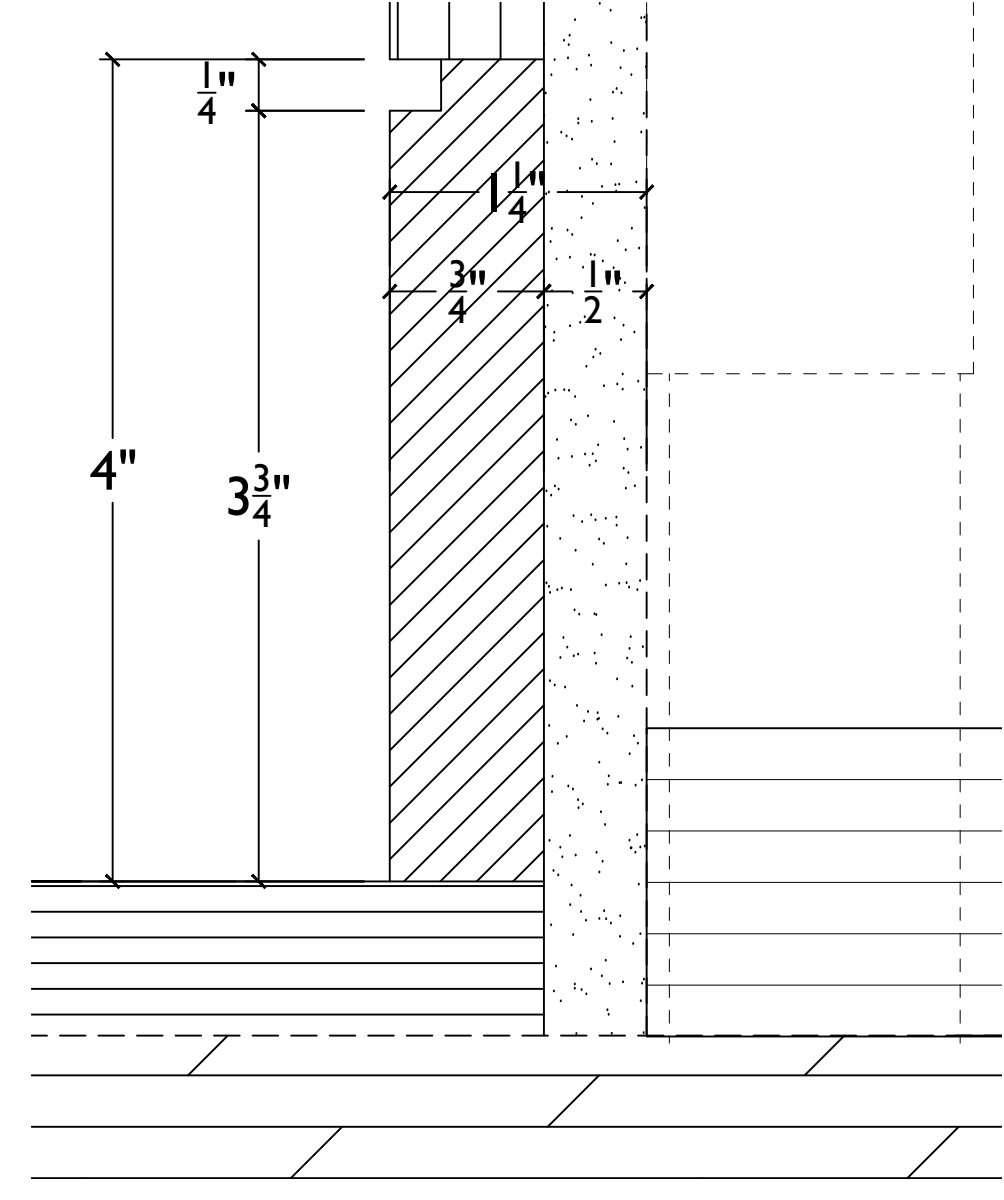
FINISHES:  
EXTERIORS: STAINED RIFT OAK  
INTERIORS: STAINED RIFT OAK



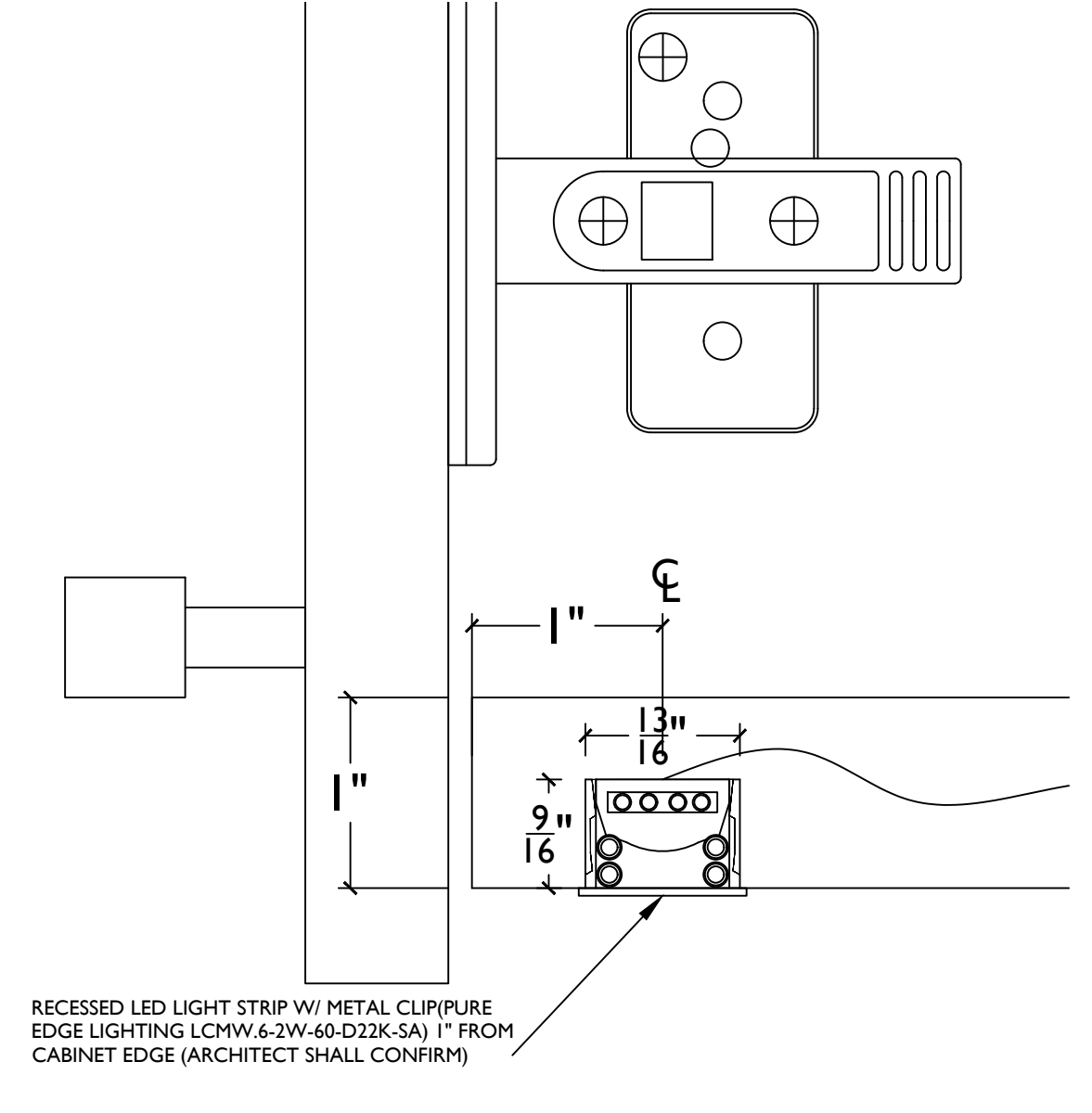
**SECTION**  
SCALE: 1"=1'-0"



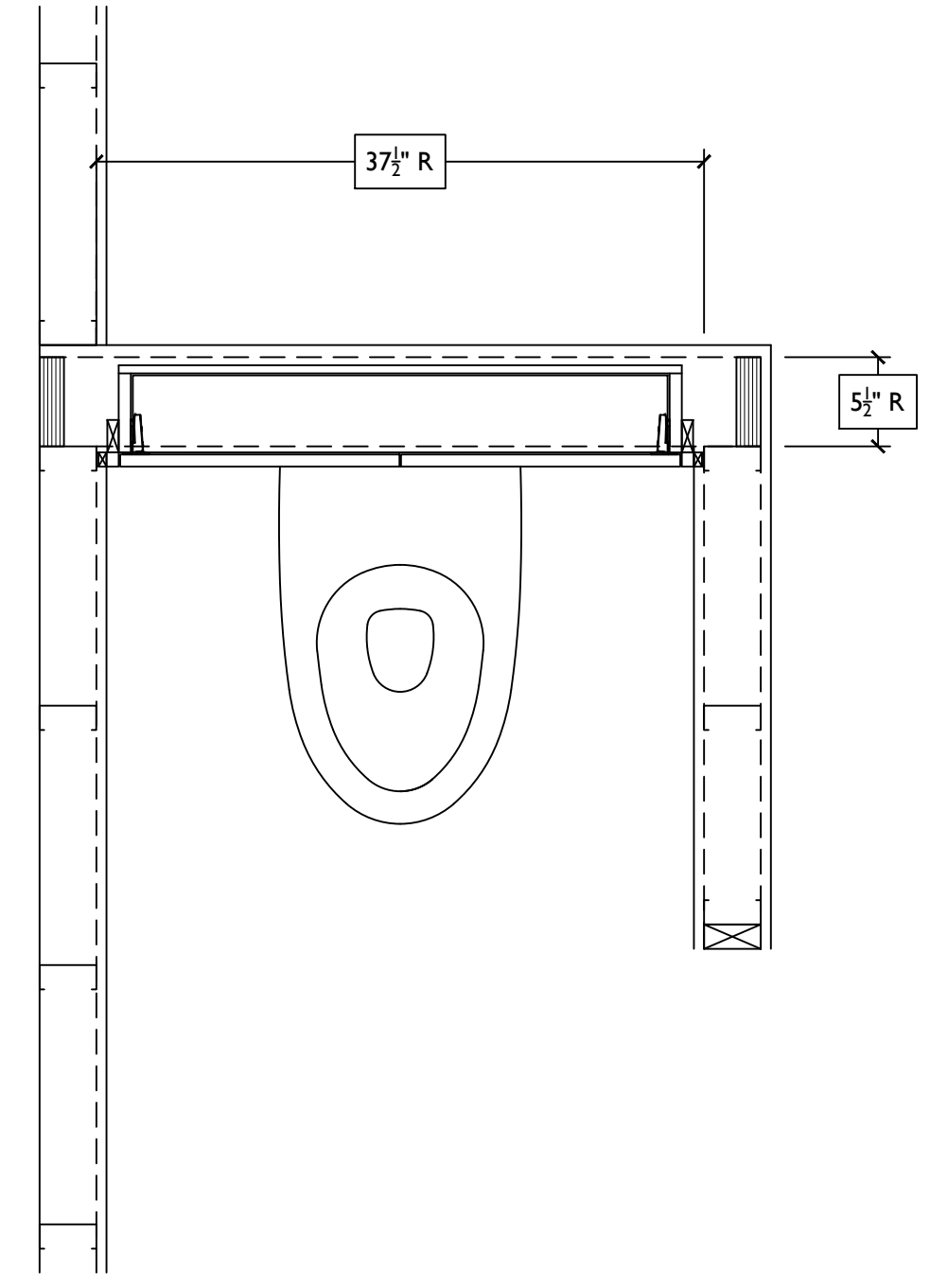
**EDGE DETAIL**  
SCALE: FULL SIZE



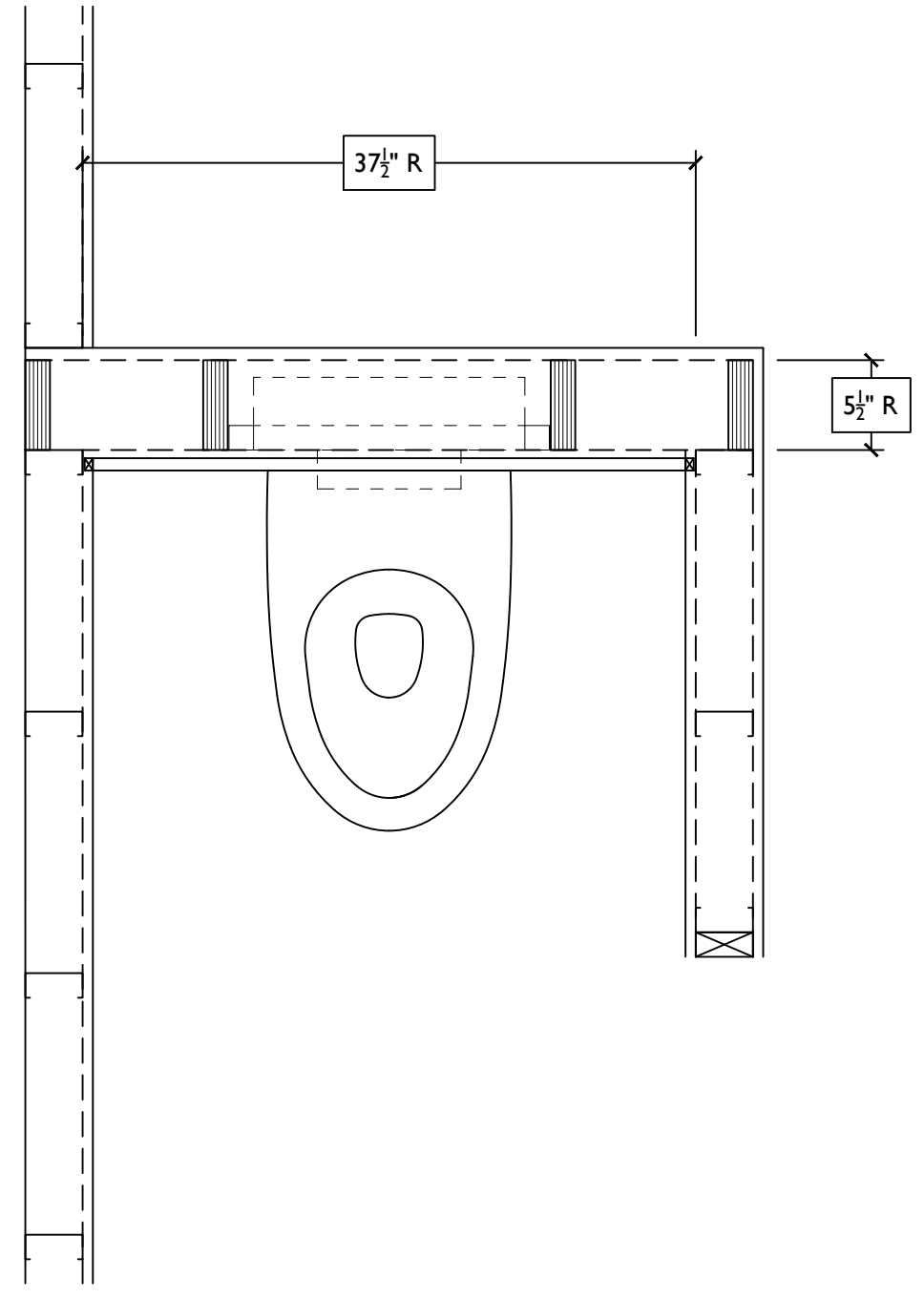
**BASE DETAIL**  
SCALE: FULL SIZE



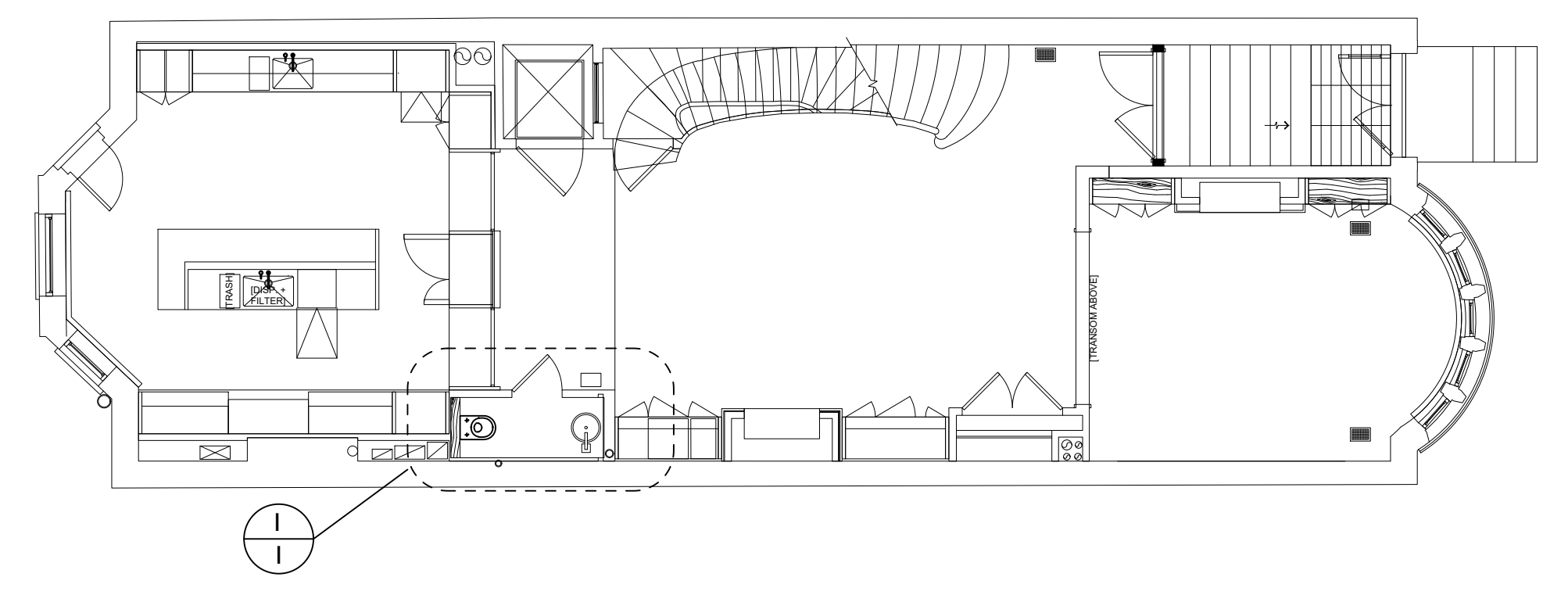
**RECESSED LED STRIP FIXTURE**  
SCALE: FULL SIZE



**PLAN SECTION**  
SCALE: 1"=1'-0"



**PLAN SECTION**  
SCALE: 1"=1'-0"



**FIRST FLOOR KEY PLAN**  
SCALE: 1/8"=1'-0"