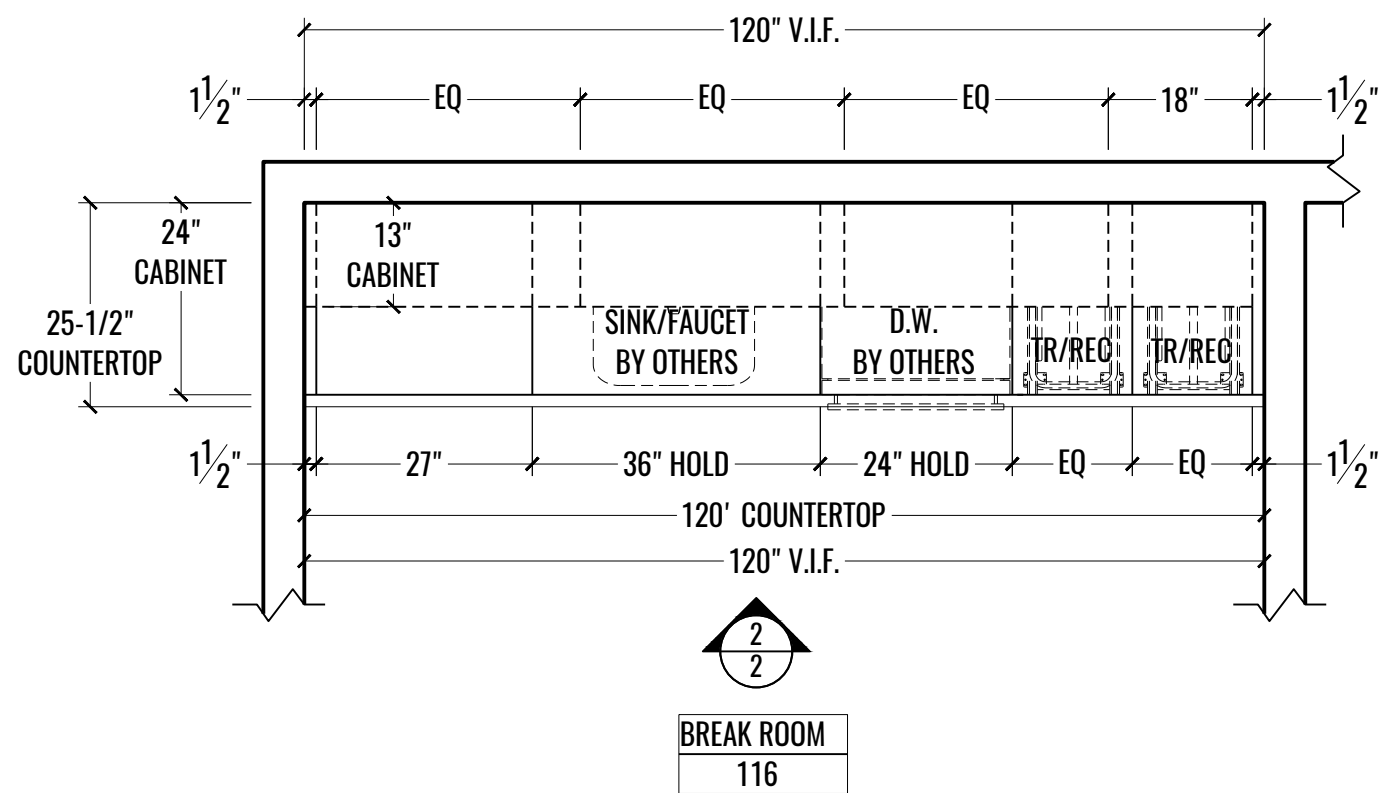
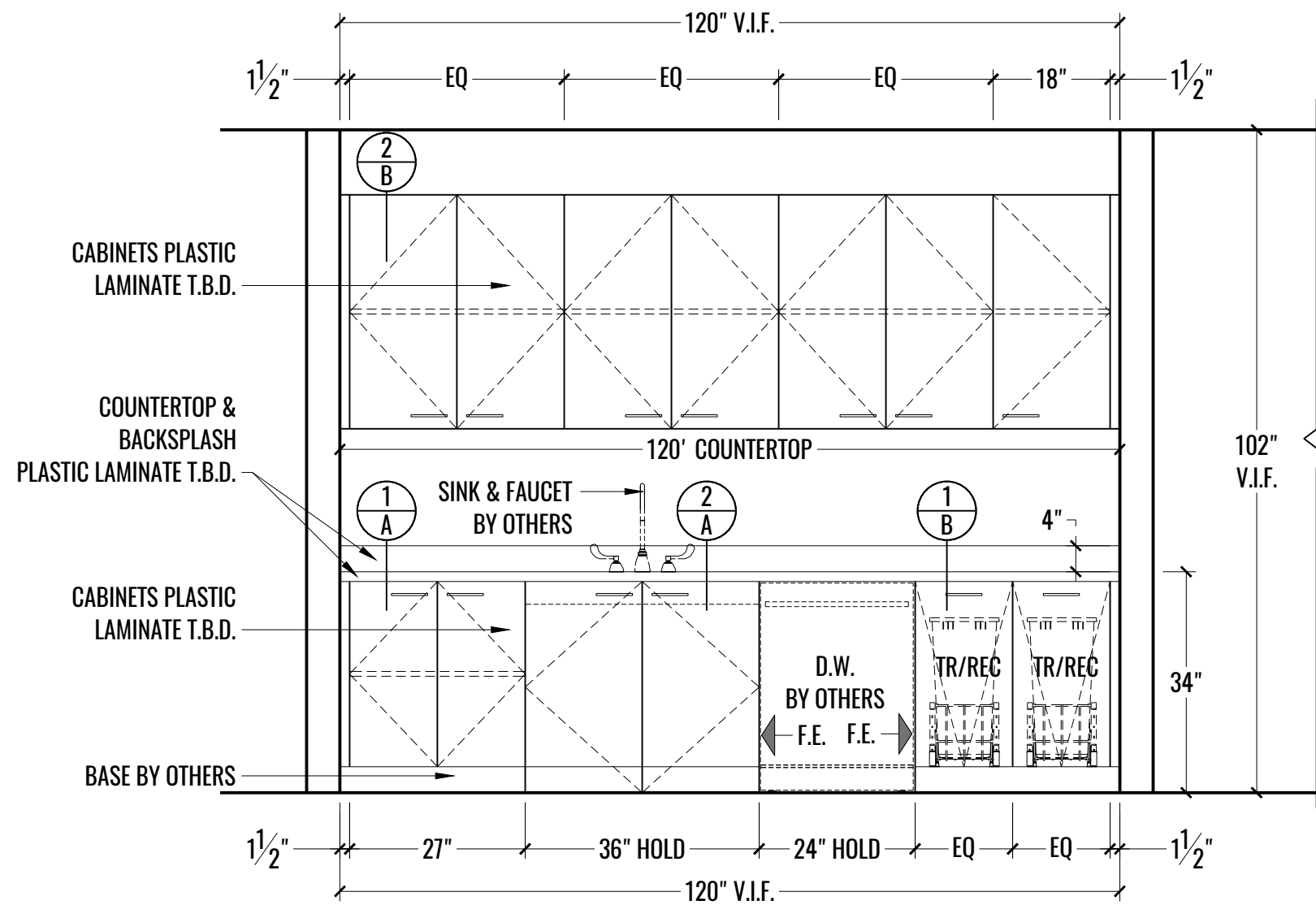


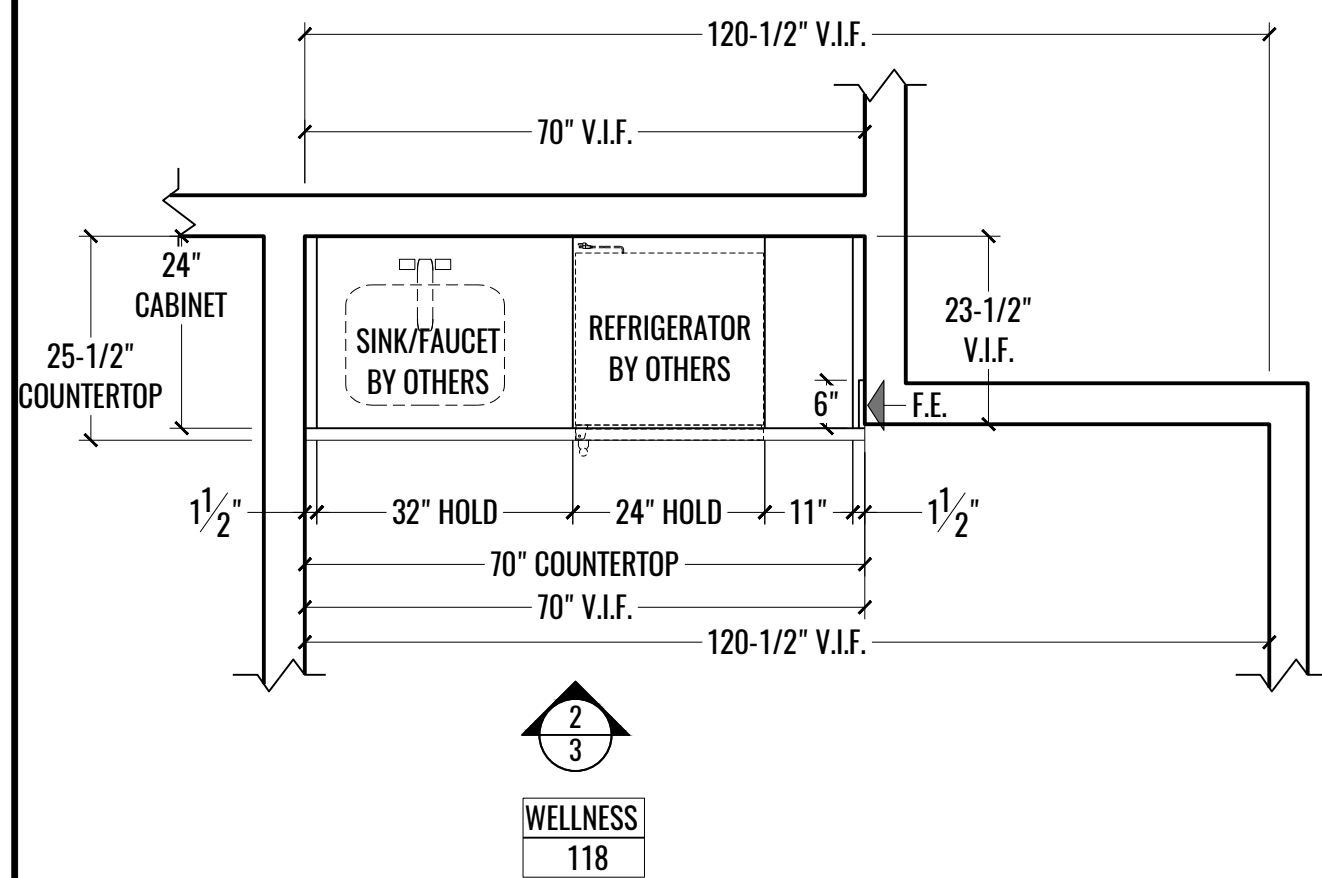
1 PLAN: PROJECT SCOPE - FIRST FLOOR
 1 SCALE: NOT TO SCALE



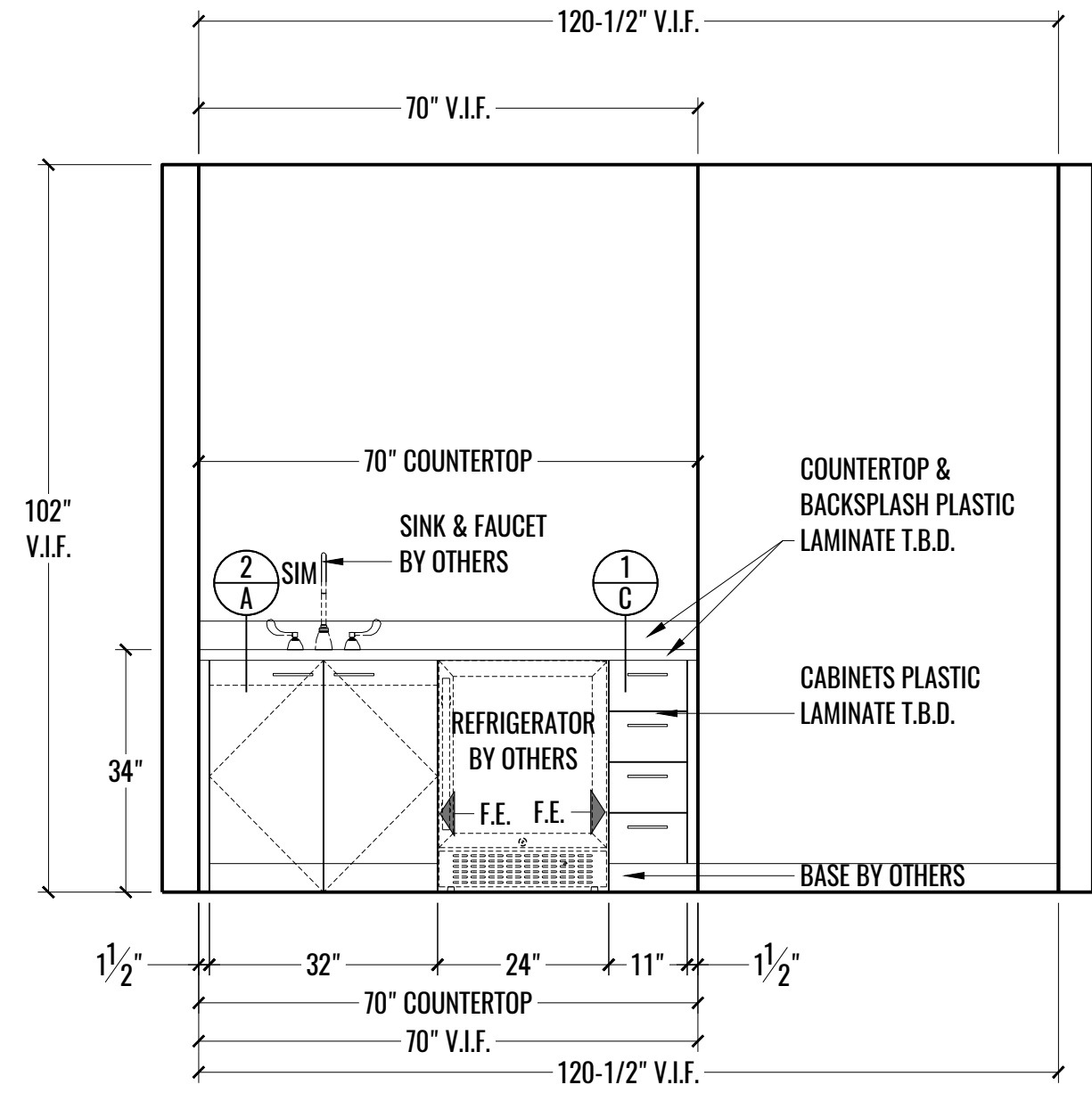
1 PLAN: BREAK ROOM - 116
2 SCALE: 1/2" = 1'-0"



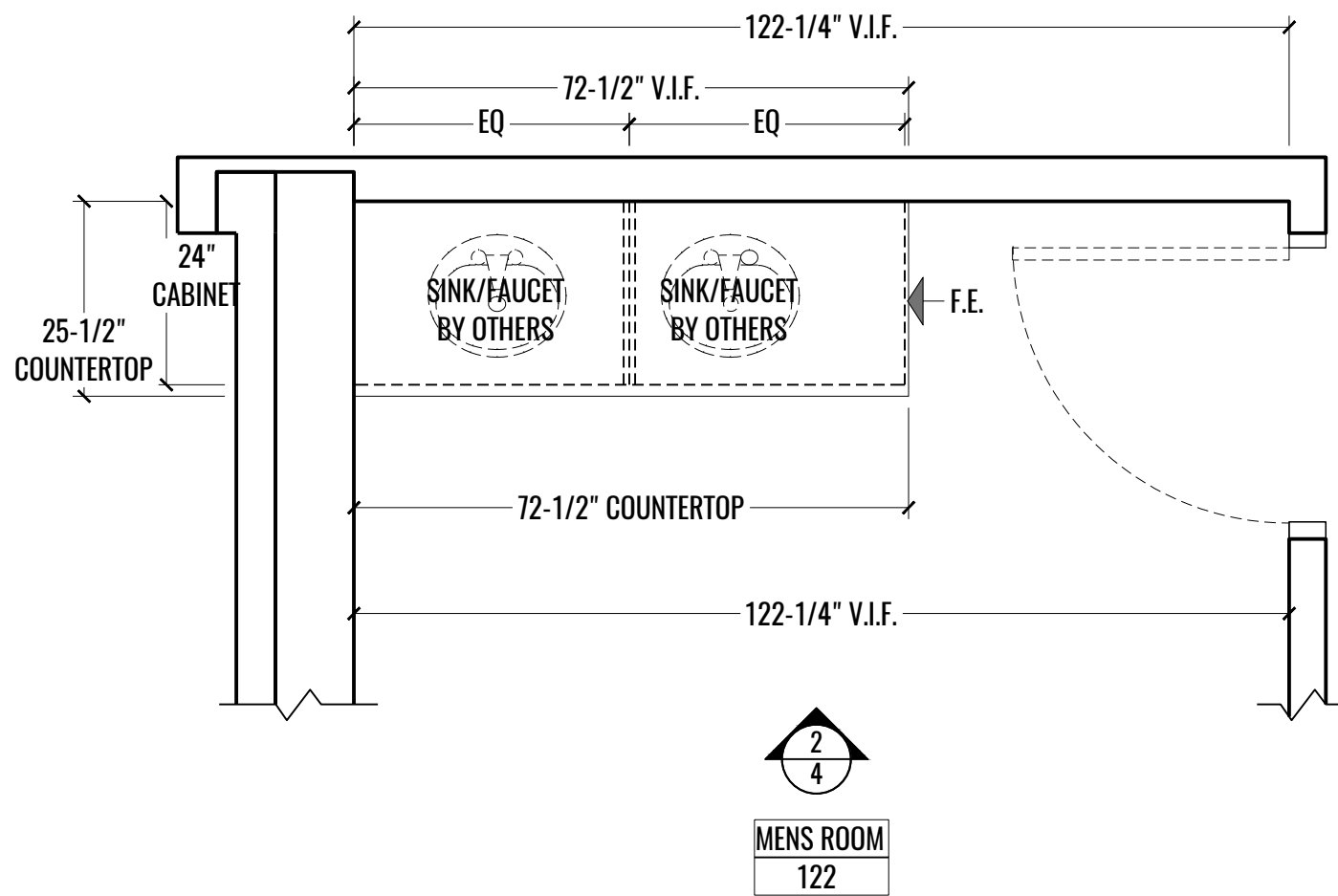
2 ELEVATION: BREAK ROOM - 116
2 SCALE: 1/2" = 1'-0"



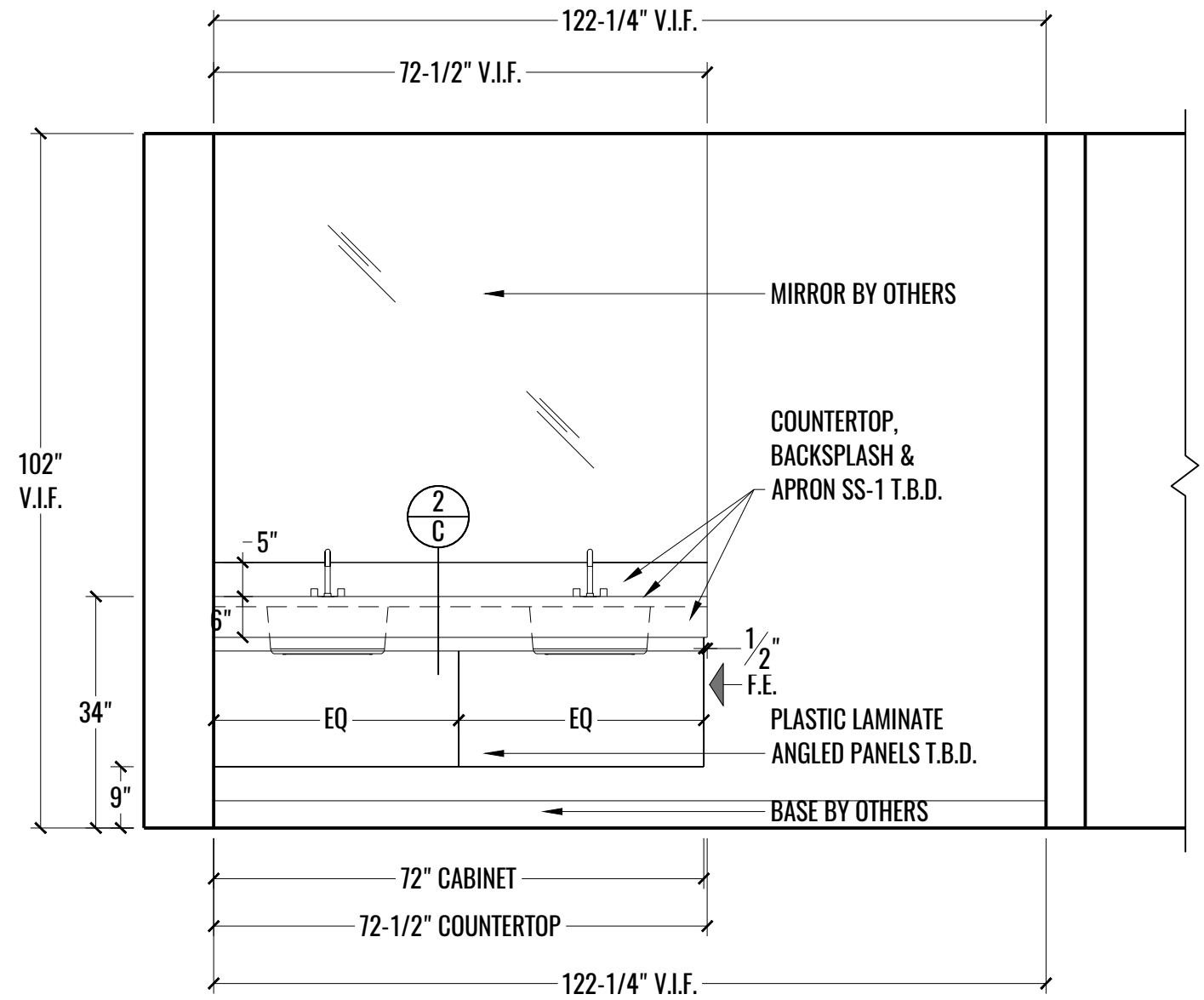
1 PLAN: WELLNESS - 118
3 SCALE: 1/2" = 1'-0"



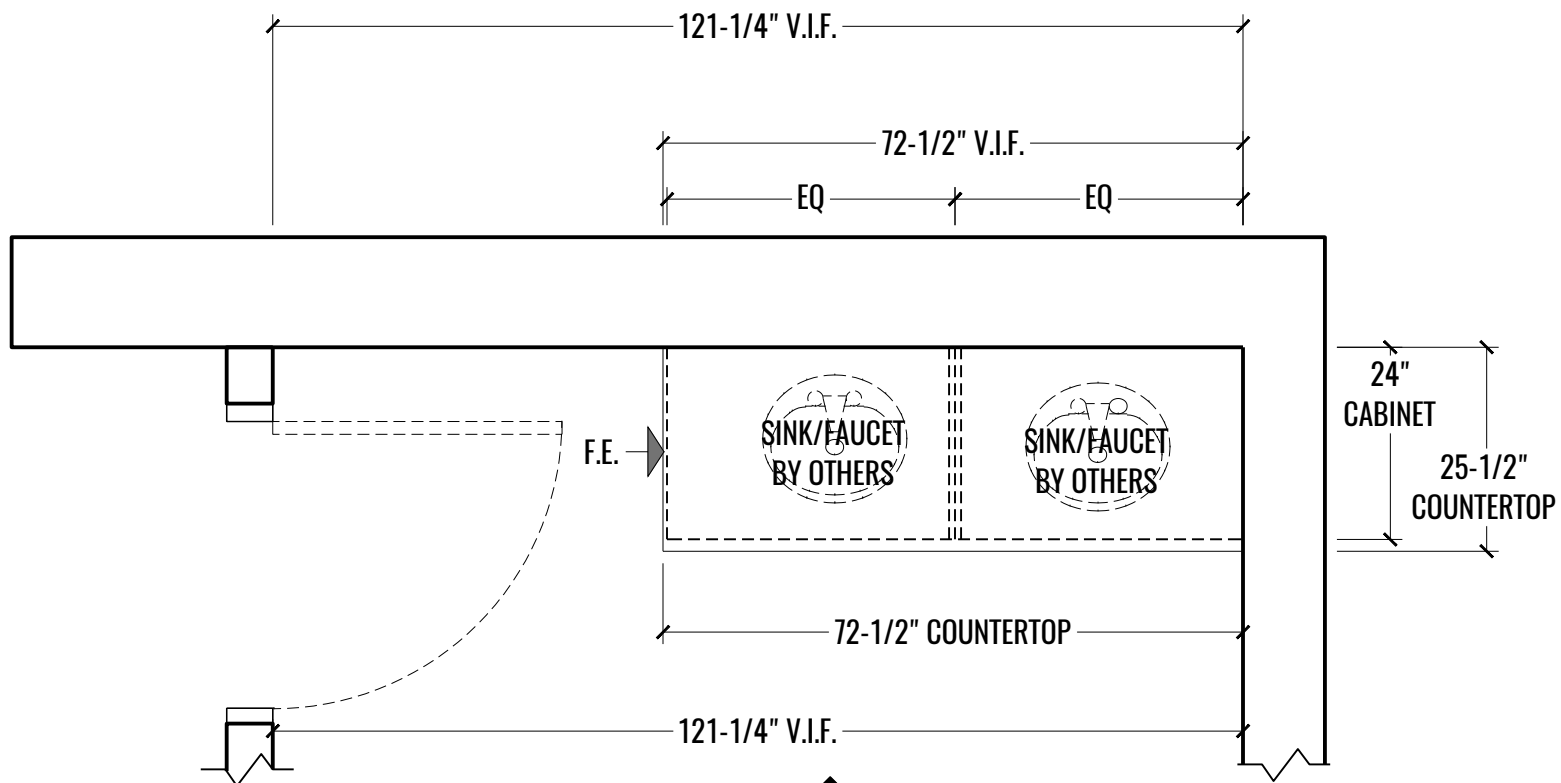
2 ELEVATION: WELLNESS - 118
3 SCALE: 1/2" = 1'-0"



1 PLAN: MENS ROOM - 122
4 SCALE: 1/2" = 1'-0"

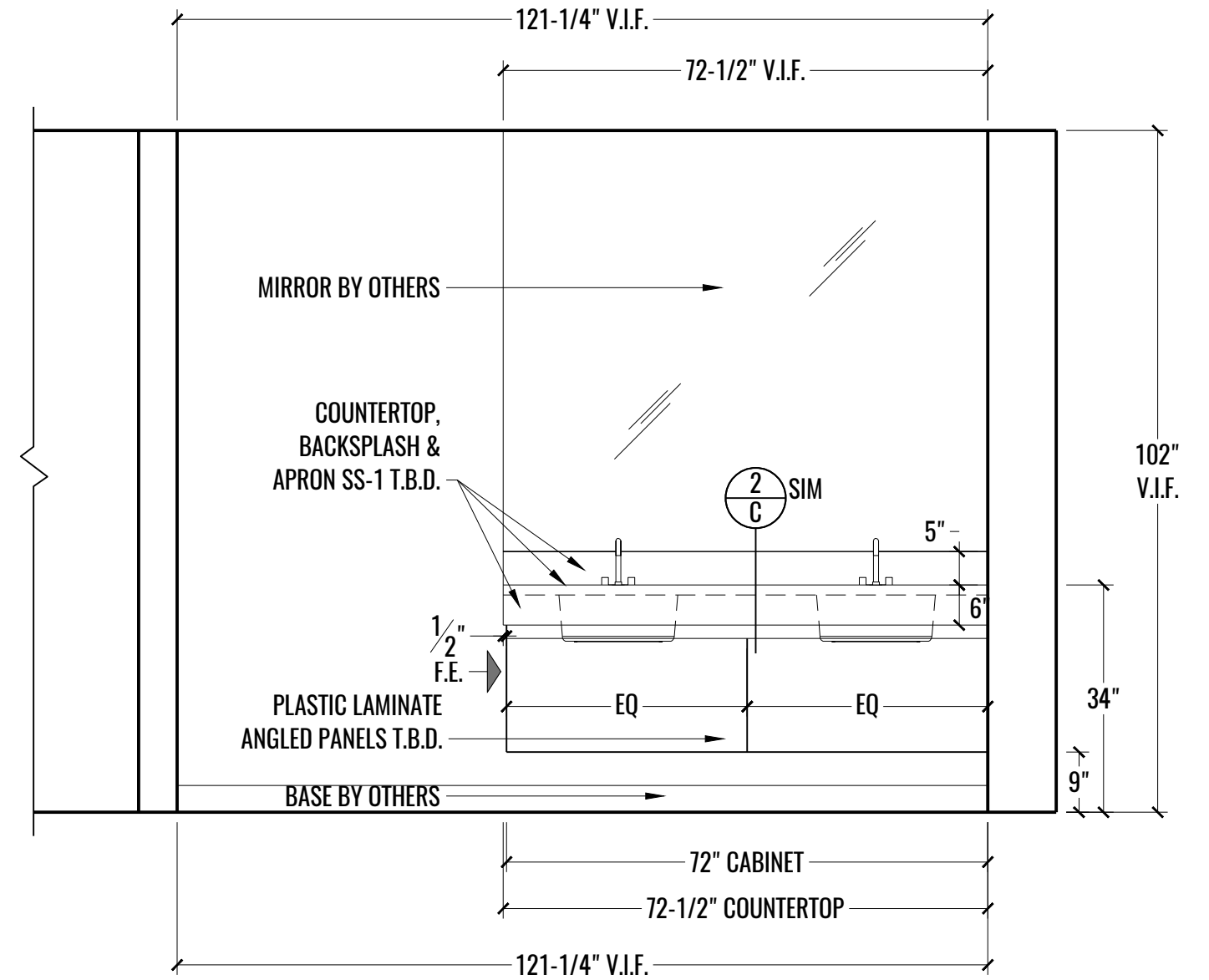


2 ELEVATION: MENS ROOM - 122
4 SCALE: 1/2" = 1'-0"

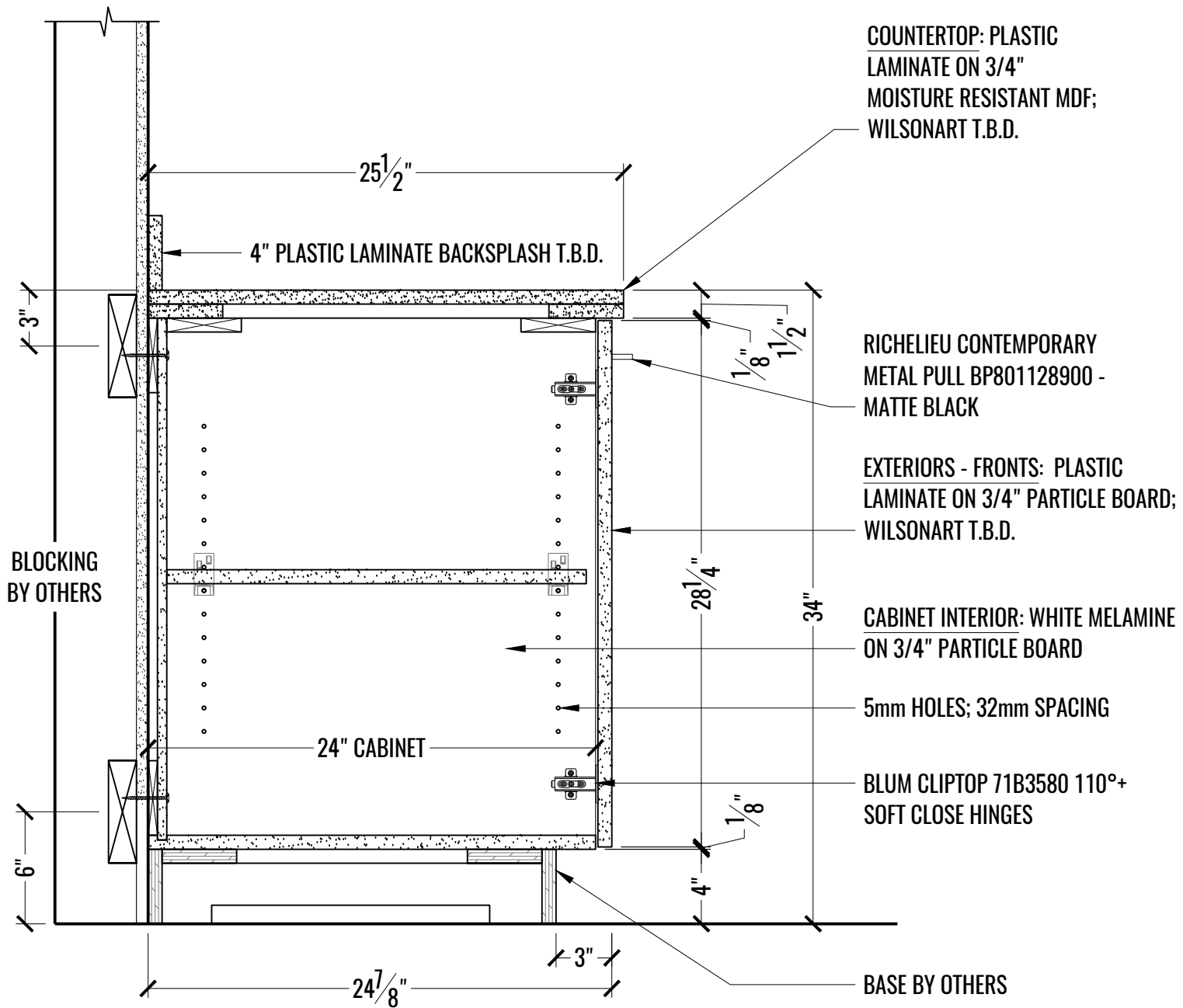


2
5
WOMENS ROOM
123

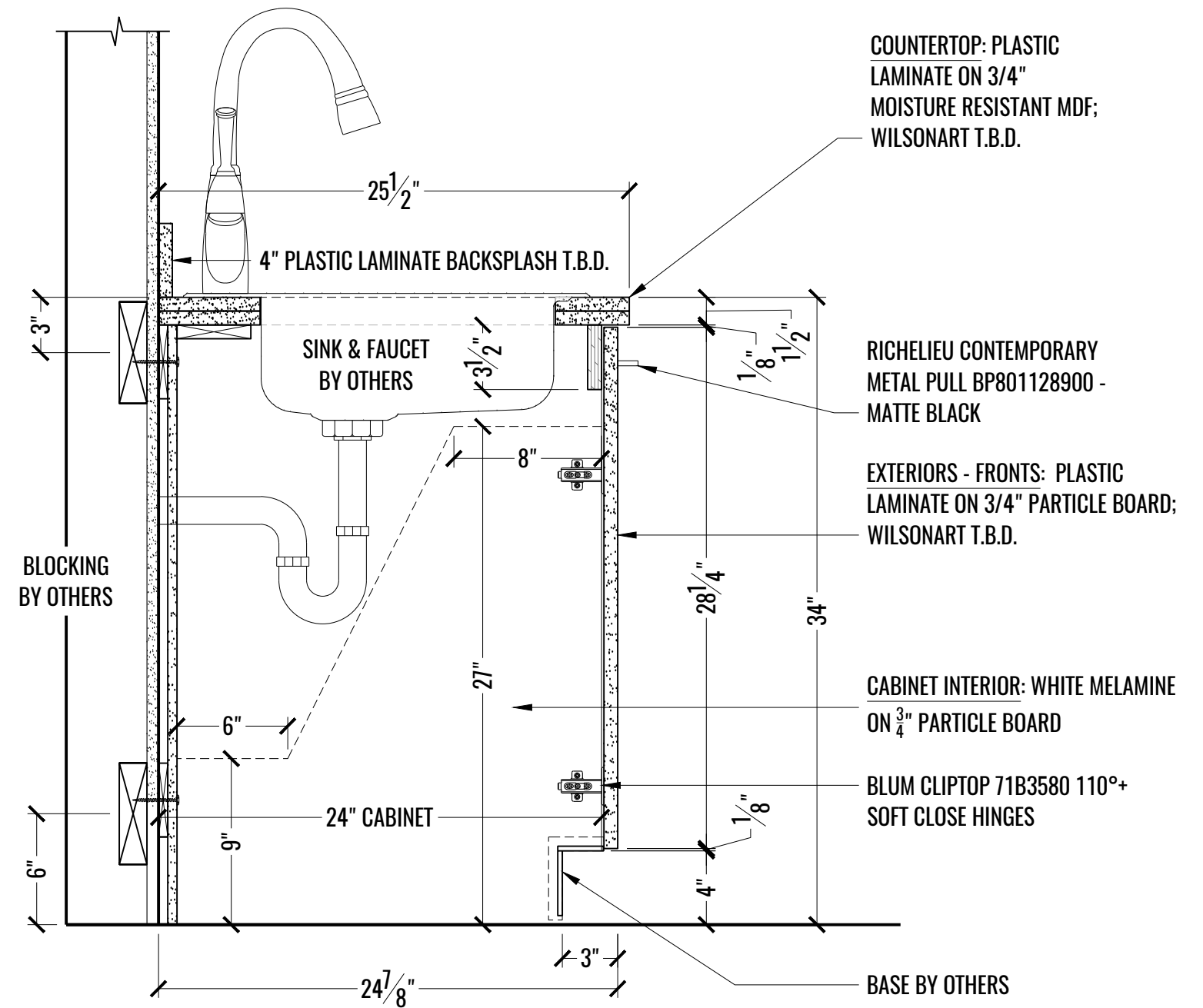
1
5 PLAN: WOMENS ROOM - 123
 SCALE: 1/2" = 1'-0"



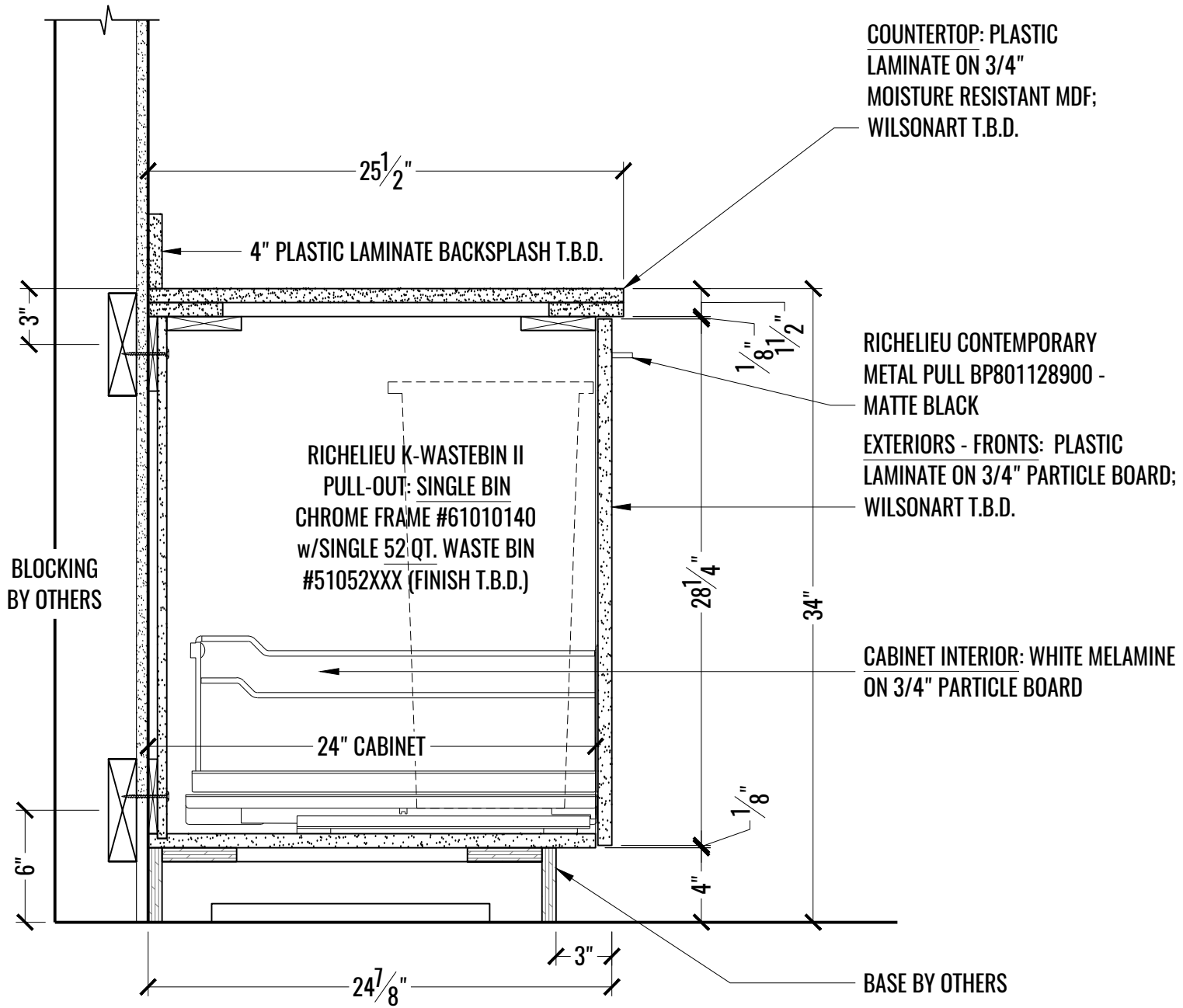
2
5 ELEVATION: WOMENS ROOM - 123
 SCALE: 1/2" = 1'-0"



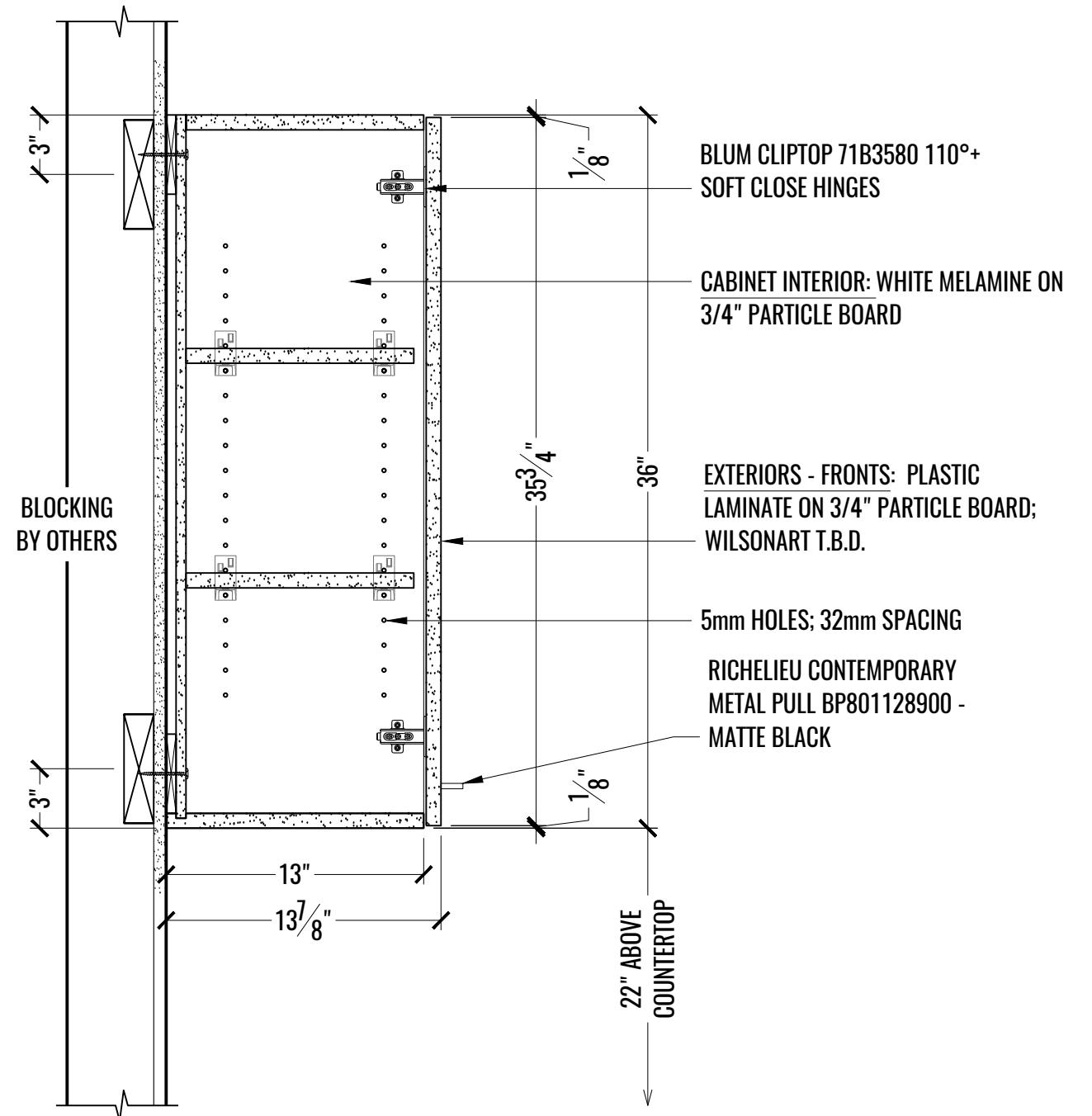
1 SECTION: BASE CABINET @ BREAK ROOM - 116 & WELLNESS - 118
A SCALE: 1-1/2" = 1'-0"



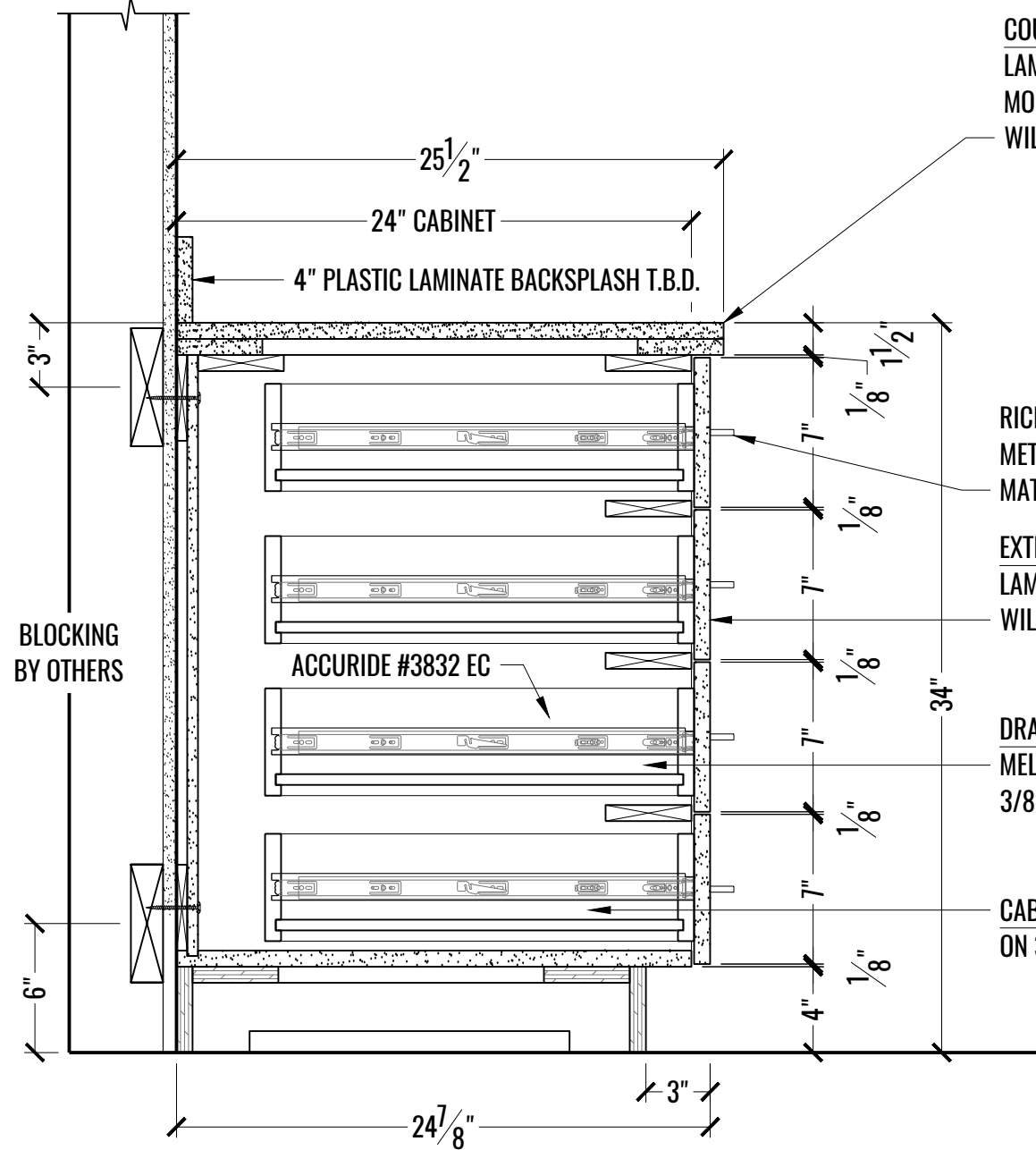
2 SECTION: SINK @ BREAK ROOM - 116 & WELLNESS - 118
A SCALE: 1-1/2" = 1'-0"



1 SECTION: TRASH/RECYCLE @ BREAK ROOM - 116
B SCALE: 1-1/2" = 1'-0"



2 SECTION: UPPER CABINET @ BREAK ROOM - 116
B SCALE: 1-1/2" = 1'-0"



COUNTERTOP: PLASTIC LAMINATE ON 3/4" MOISTURE RESISTANT MDF; WILSONART T.B.D.

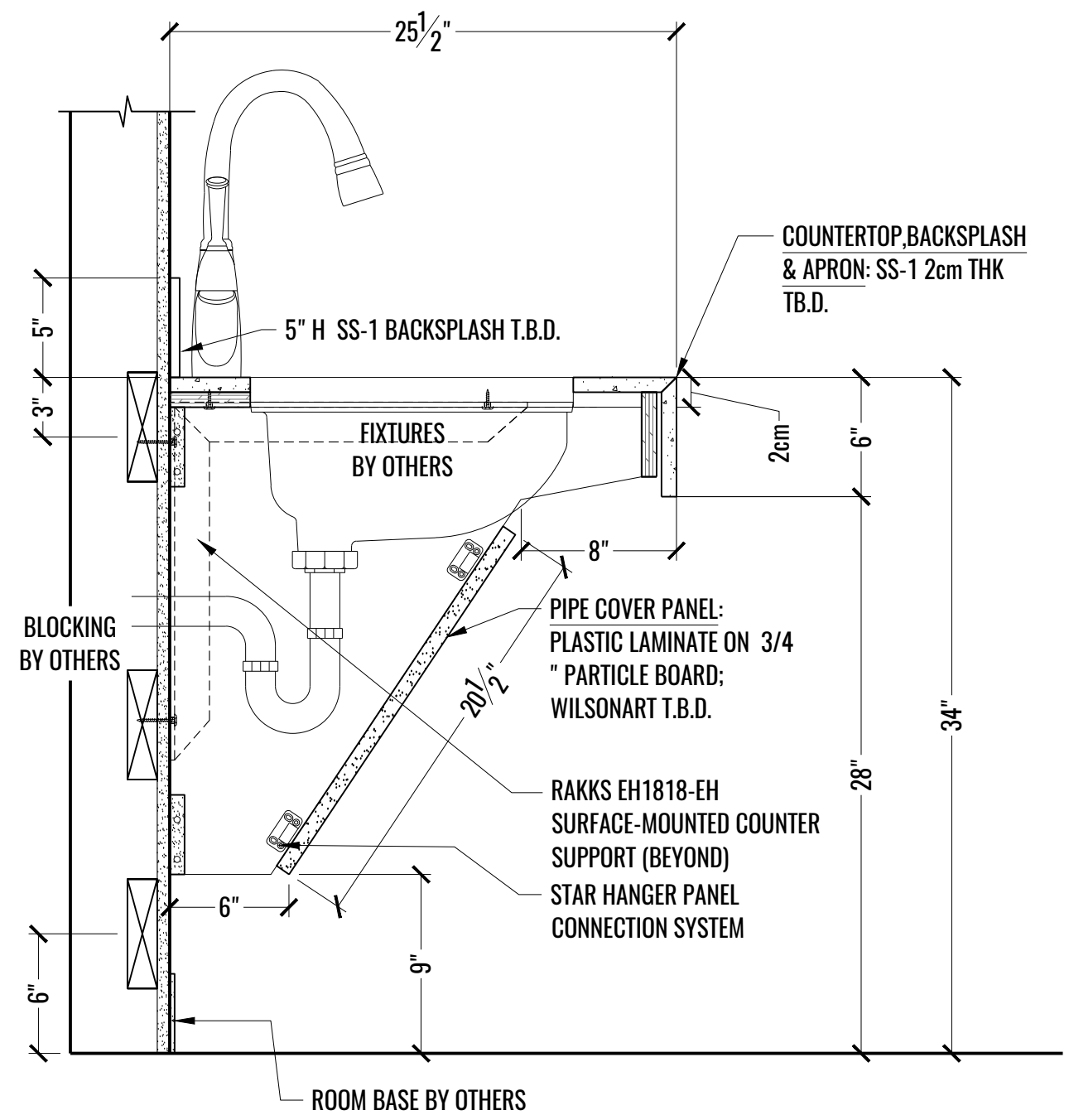
RICHELIEU CONTEMPORARY METAL PULL BP801128900 - MATTE BLACK

EXTERIORS - FRONTS: PLASTIC LAMINATE ON 3/4" PARTICLE BOARD; WILSONART T.B.D.

DRAWER CONSTRUCTION: 3/4" WHITE MELAMINE BOX w/1/2" BOTTOM & 3/8" STANDING SHOULDER

CABINET INTERIOR: WHITE MELAMINE ON 3/4" PARTICLE BOARD

1 SECTION: BASE CABINET W/DRAWERS @ WELNESS - 118
C SCALE: 1-1/2" = 1'-0"



COUNTERTOP, BACKSPLASH & APRON: SS-1 2cm THK TB.D.

5" H SS-1 BACKSPLASH T.B.D.

FIXTURES BY OTHERS

PIPE COVER PANEL: PLASTIC LAMINATE ON 3/4" PARTICLE BOARD; WILSONART T.B.D.

RAKKS EH1818-EH SURFACE-MOUNTED COUNTER SUPPORT (BEYOND) STAR HANGER PANEL CONNECTION SYSTEM

ROOM BASE BY OTHERS

2 SECTION: SINK @ MENS RM - 122 & WOMENS RM - 123
C SCALE: 1-1/2" = 1'-0"