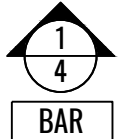
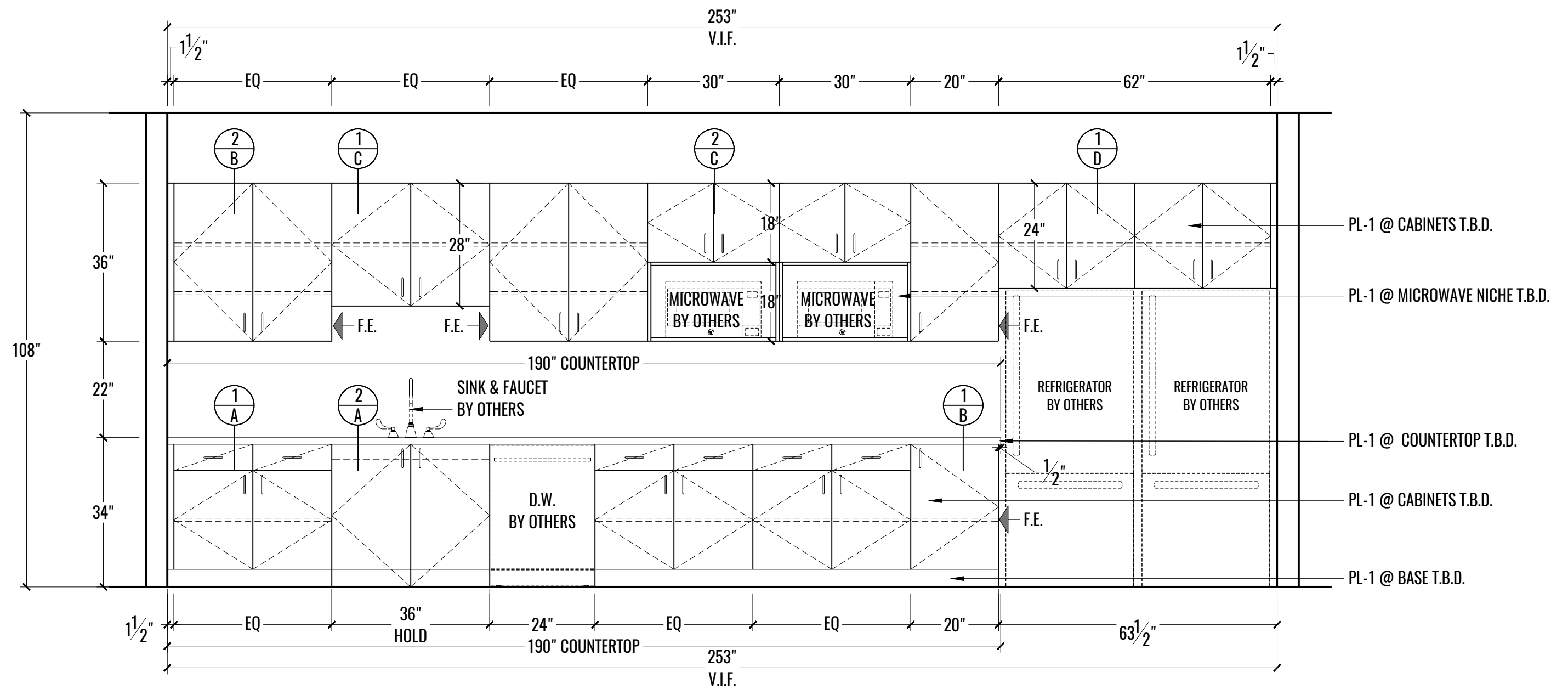
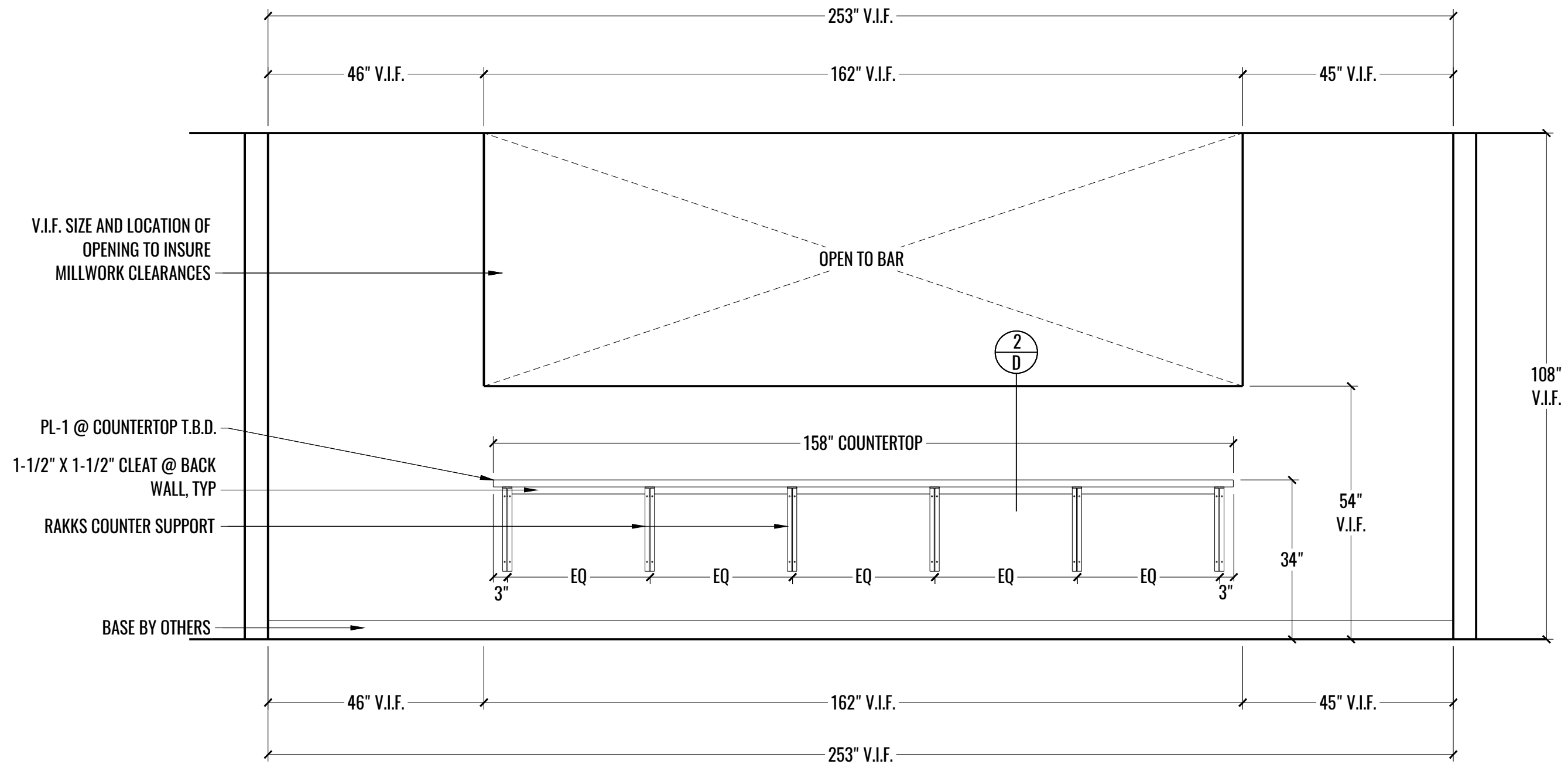


1 PLAN: KITCHEN/BAR
1 SCALE: 1/2" = 1'-0"

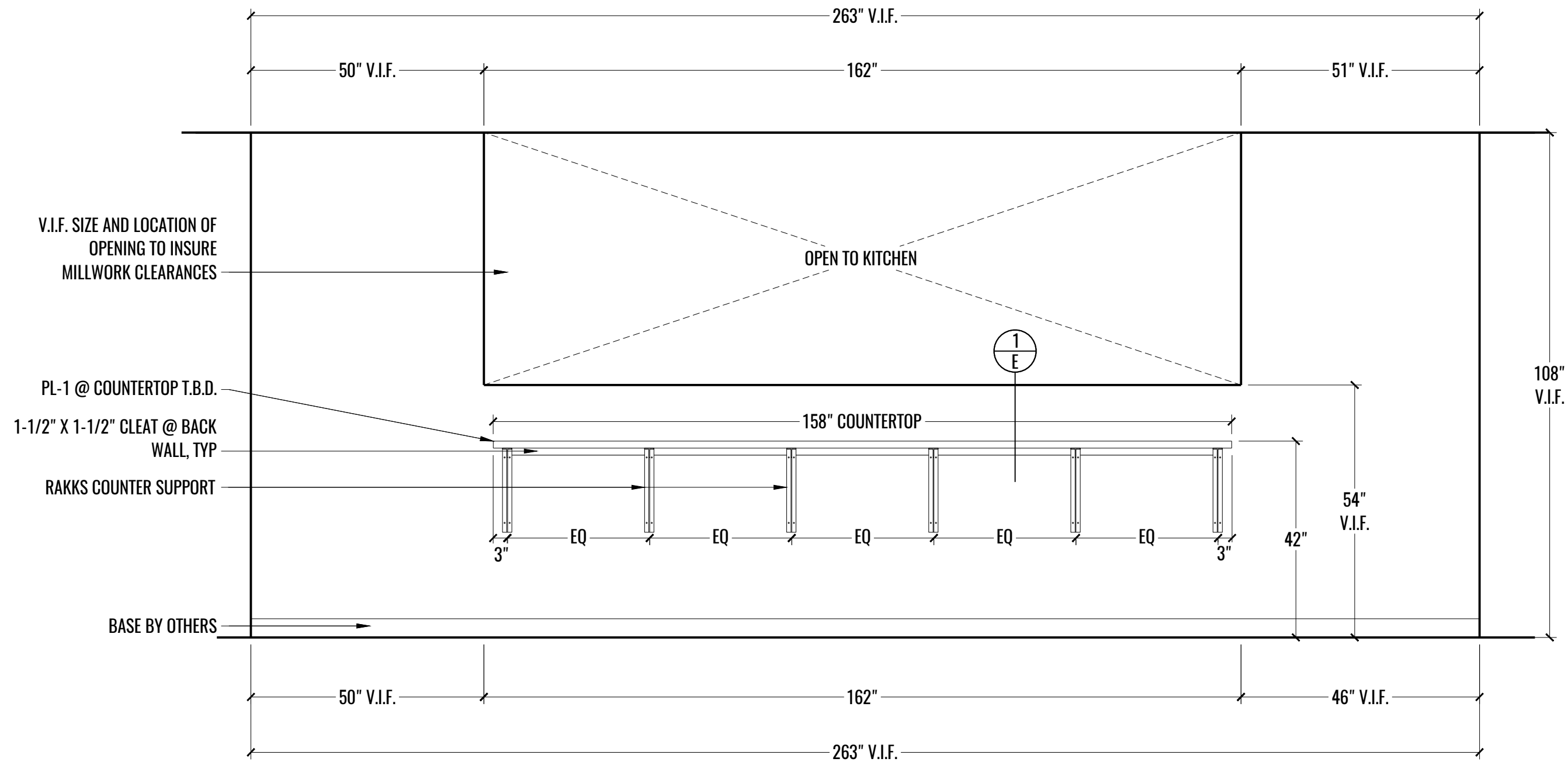




1 ELEVATION: KITCHEN
 2 SCALE: 1/2" = 1'-0"

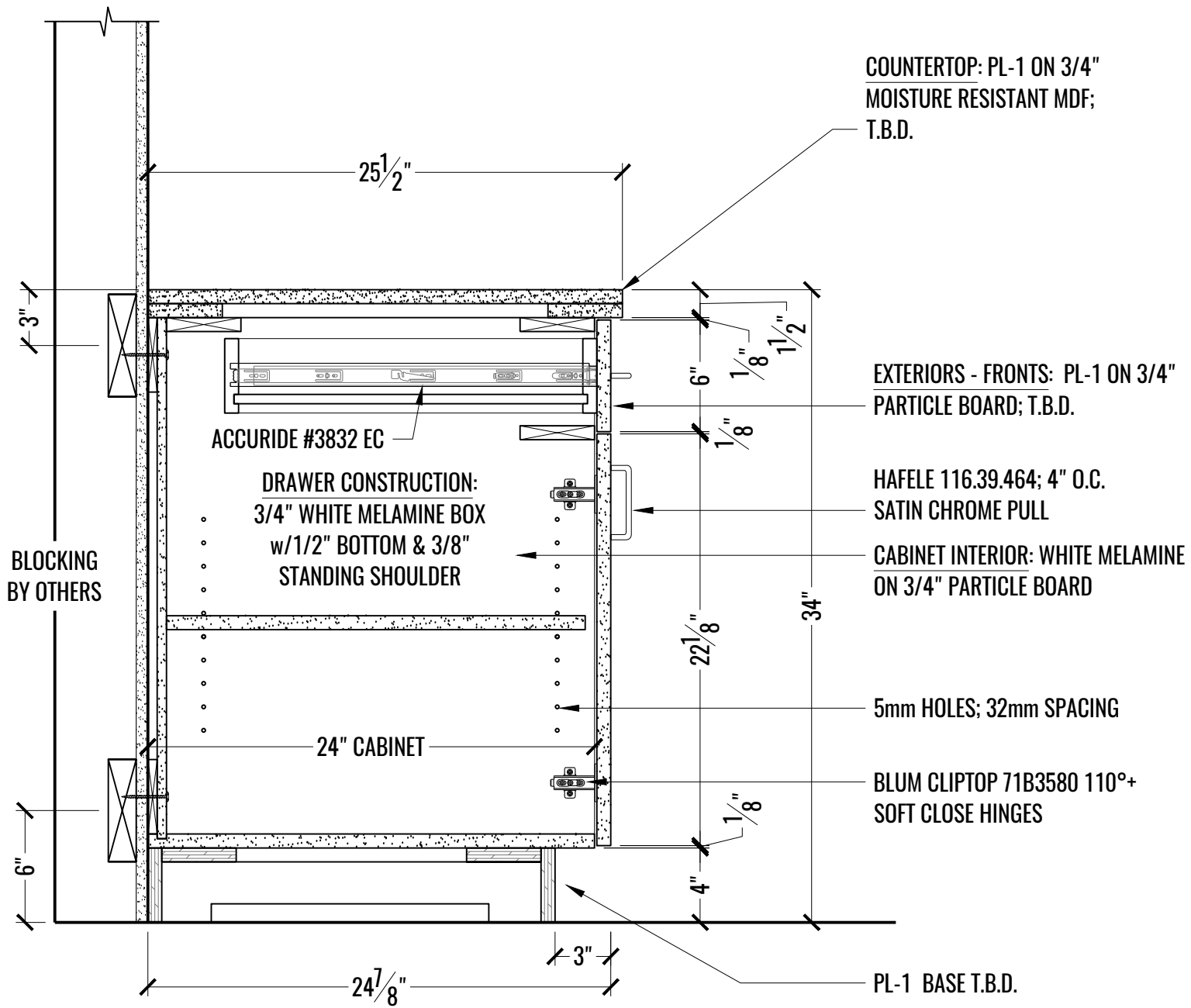


1 ELEVATION: COUNTERTOP @ KITCHEN
3 SCALE: 1/2" = 1'-0"

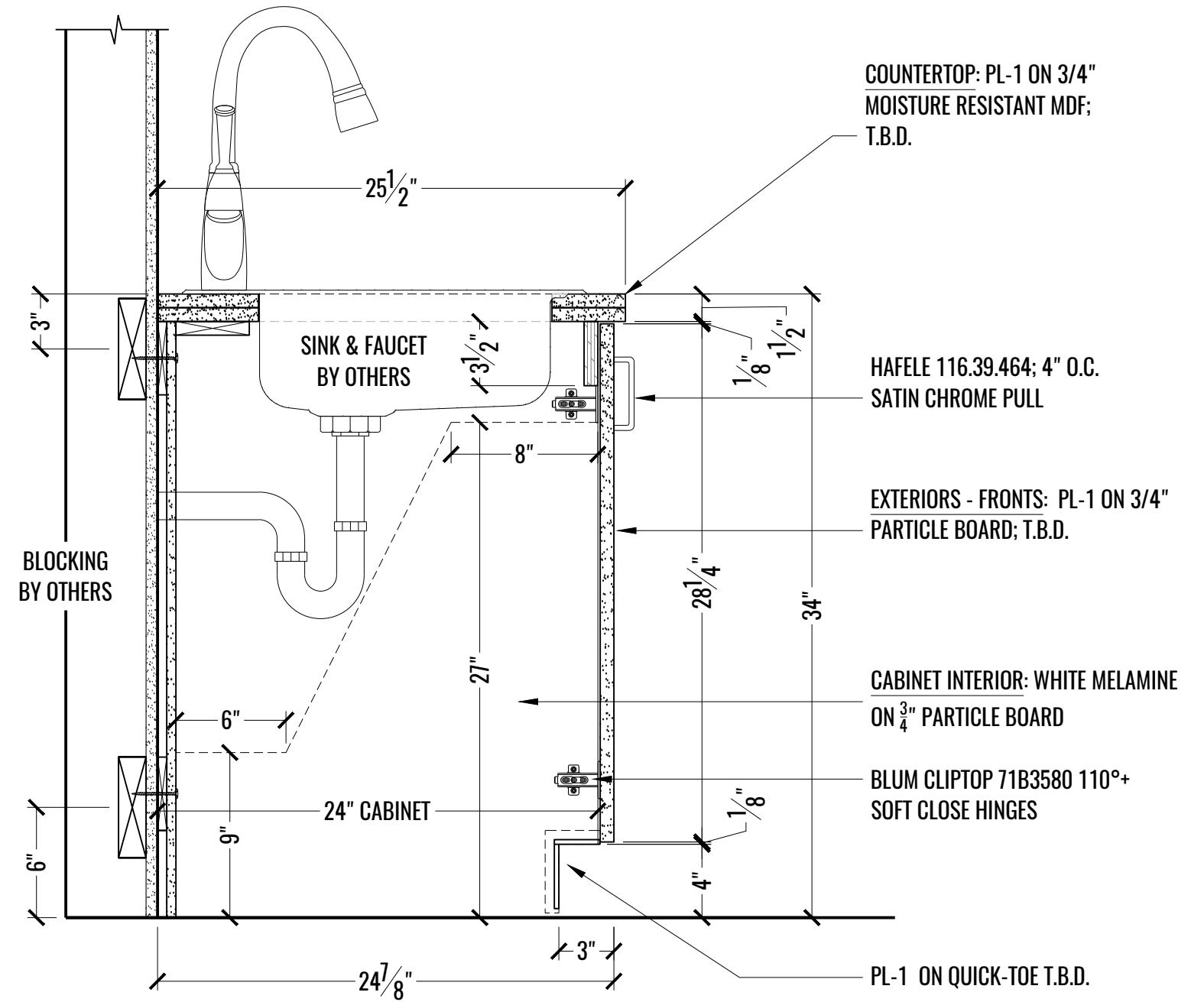


1
 4

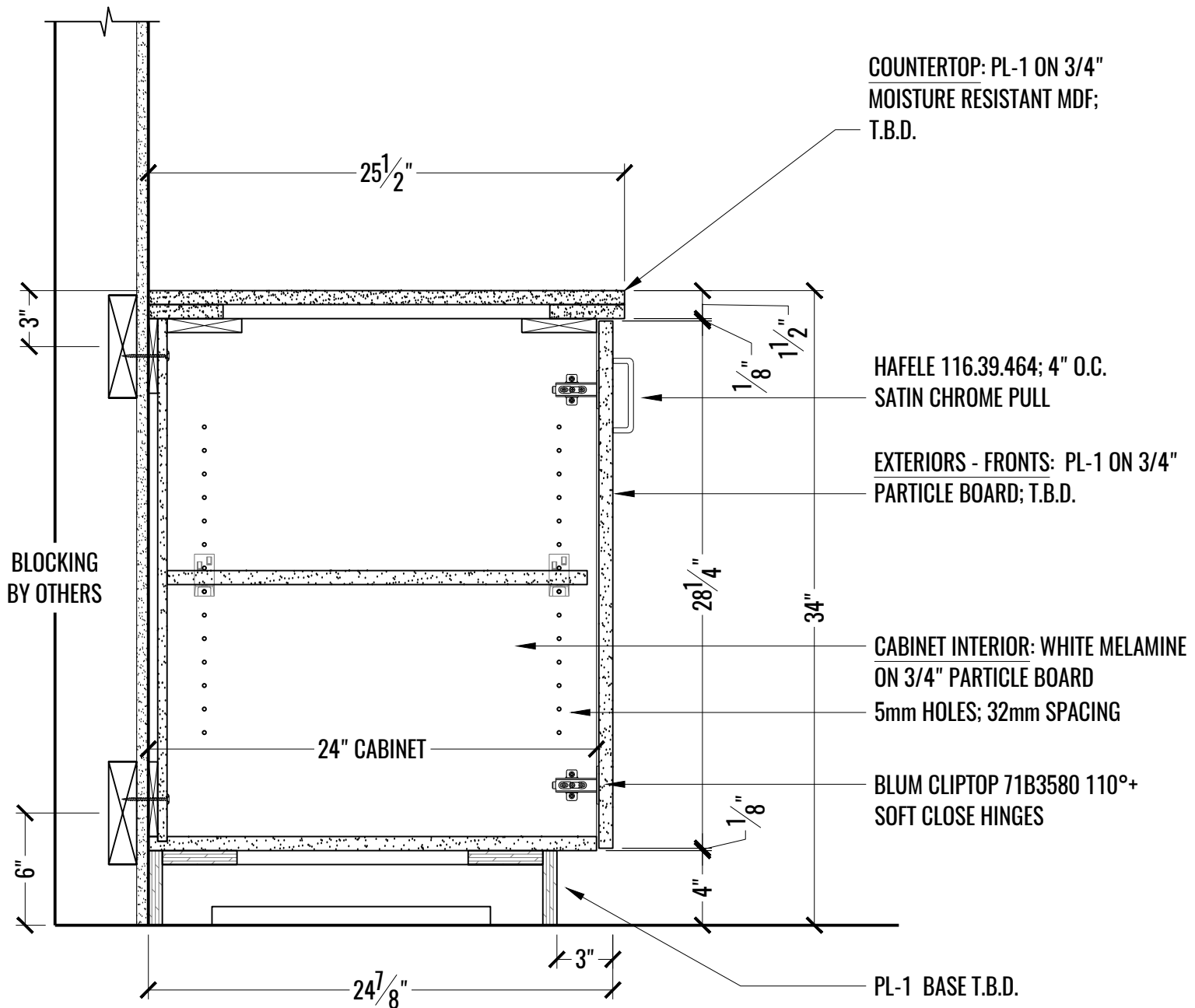
ELEVATION: COUNTERTOP @ BAR
 SCALE: 1/2" = 1'-0"



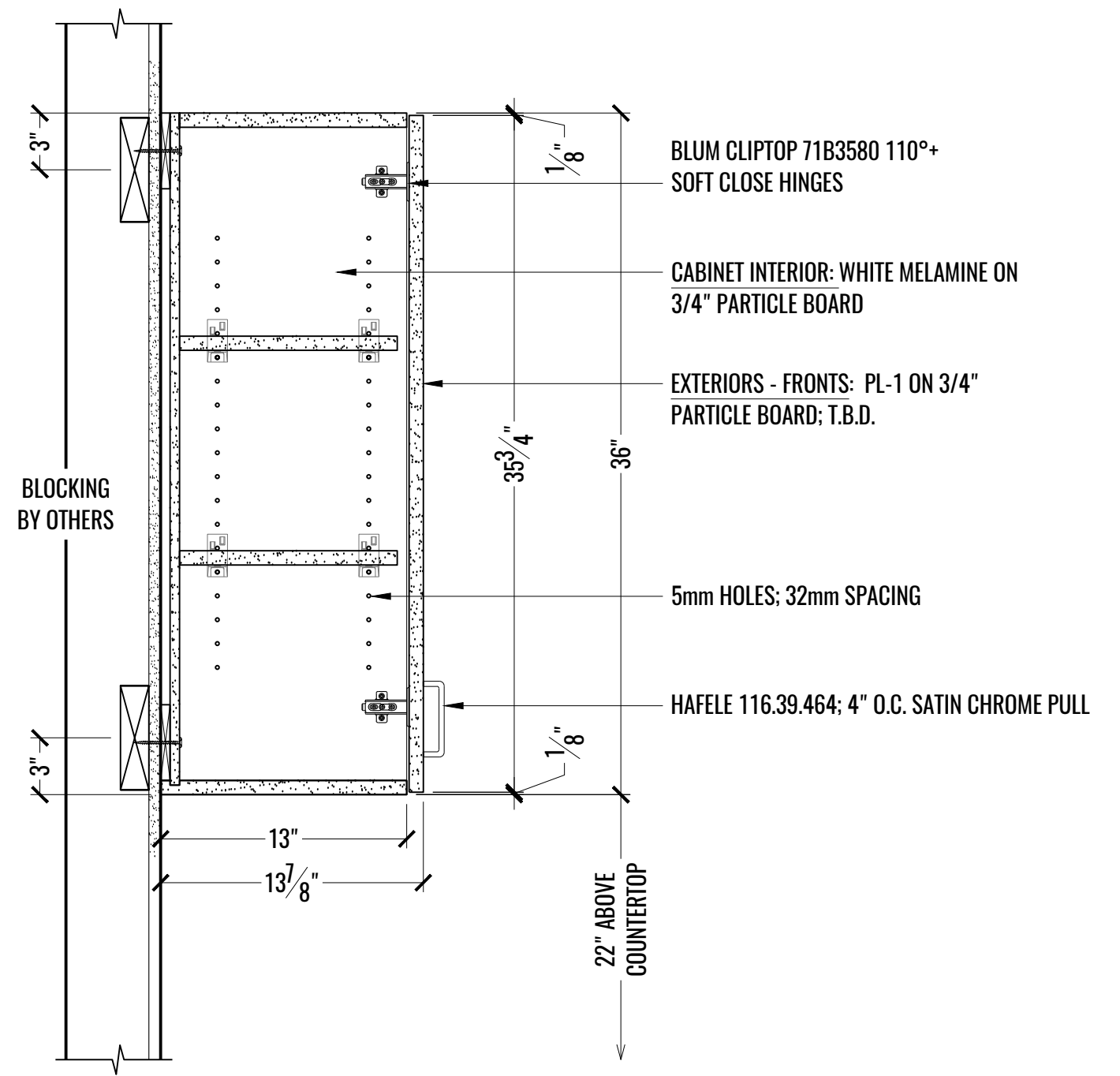
1 SECTION: BASE CABINET & DRAWER - KITCHEN
A SCALE: 1-1/2" = 1'-0"



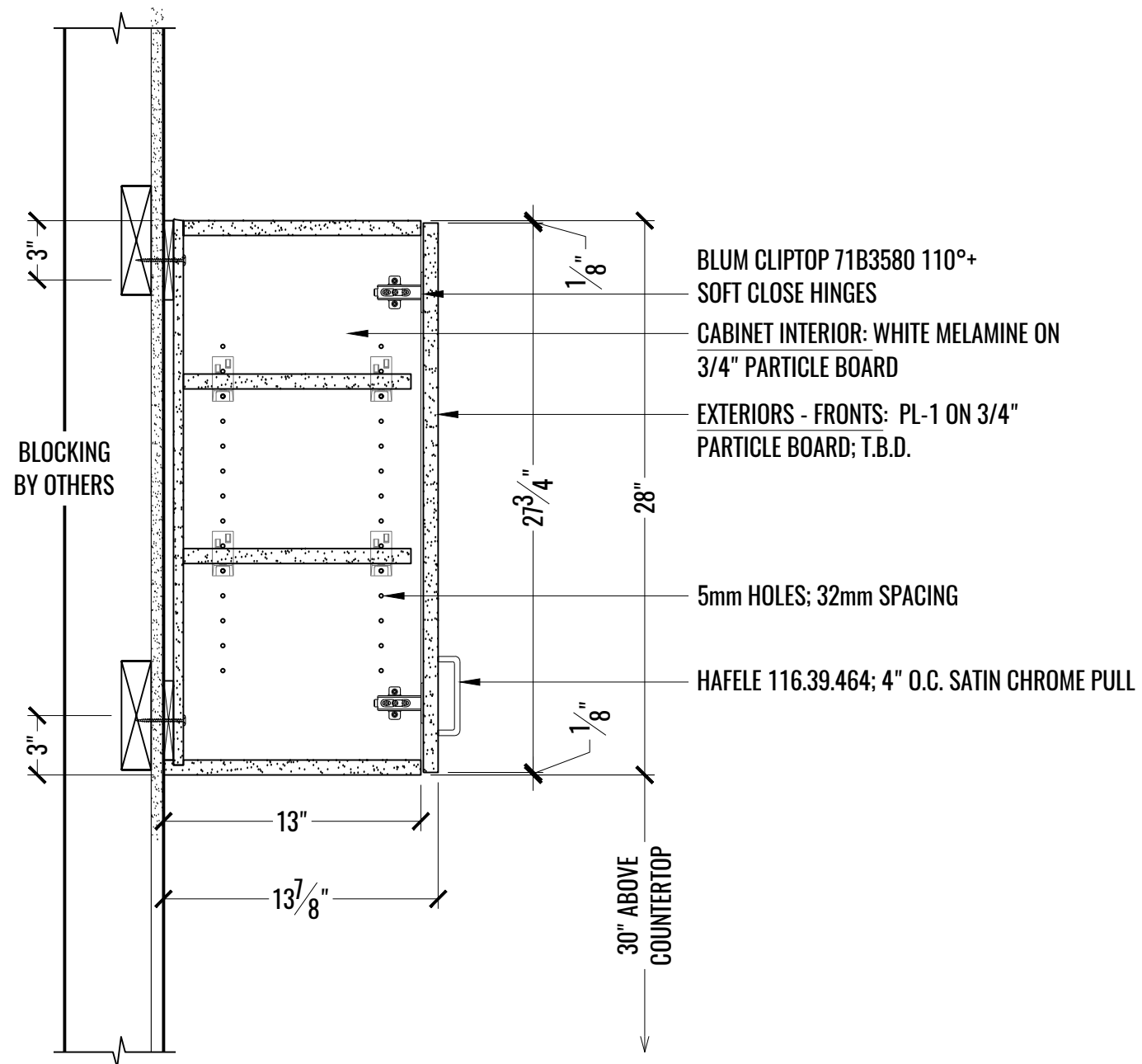
2 SECTION: BASE CABINET @ SINK - KITCHEN
A SCALE: 1-1/2" = 1'-0"



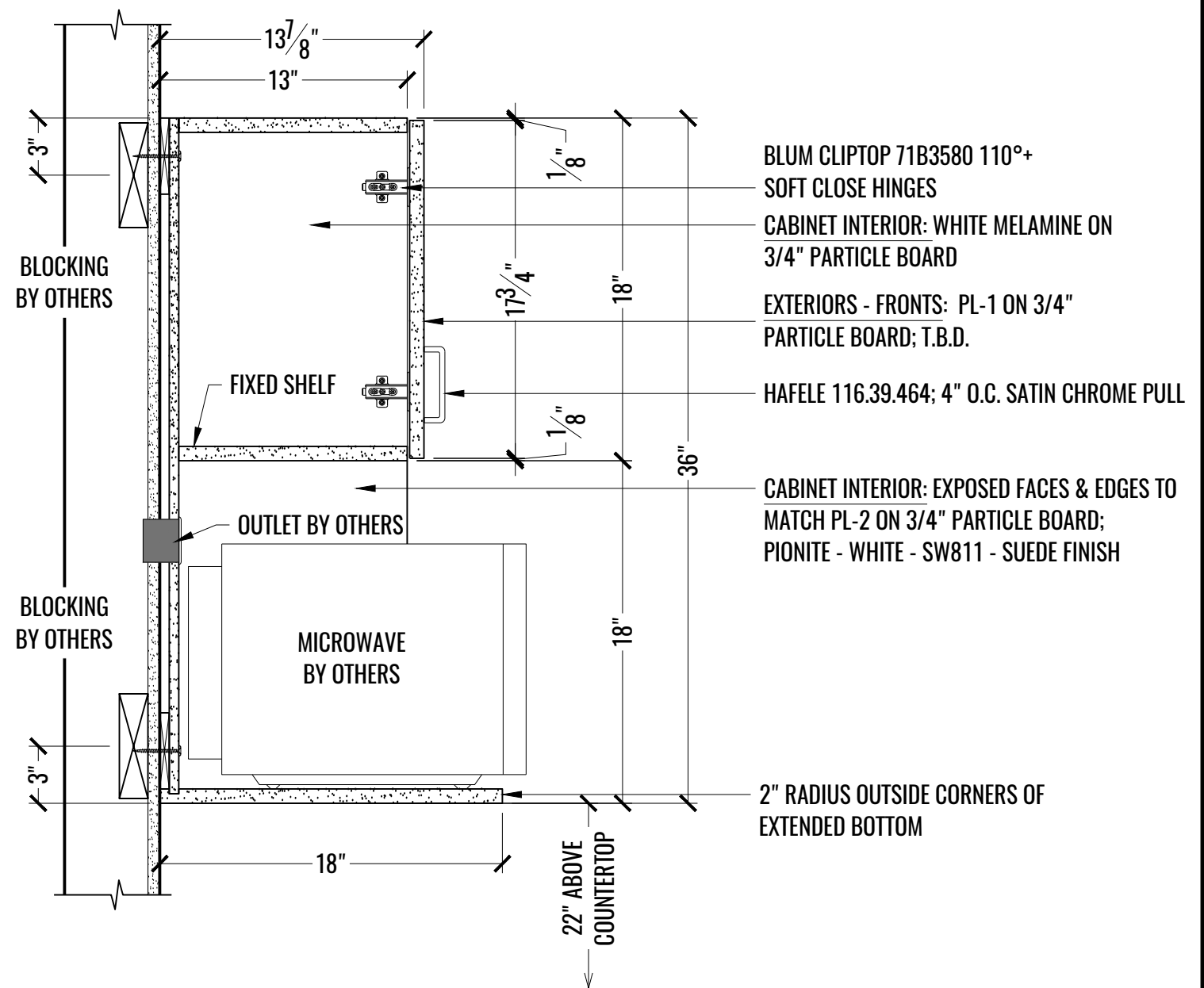
1 SECTION: BASE CABINET - KITCHEN
 B SCALE: 1-1/2" = 1'-0"



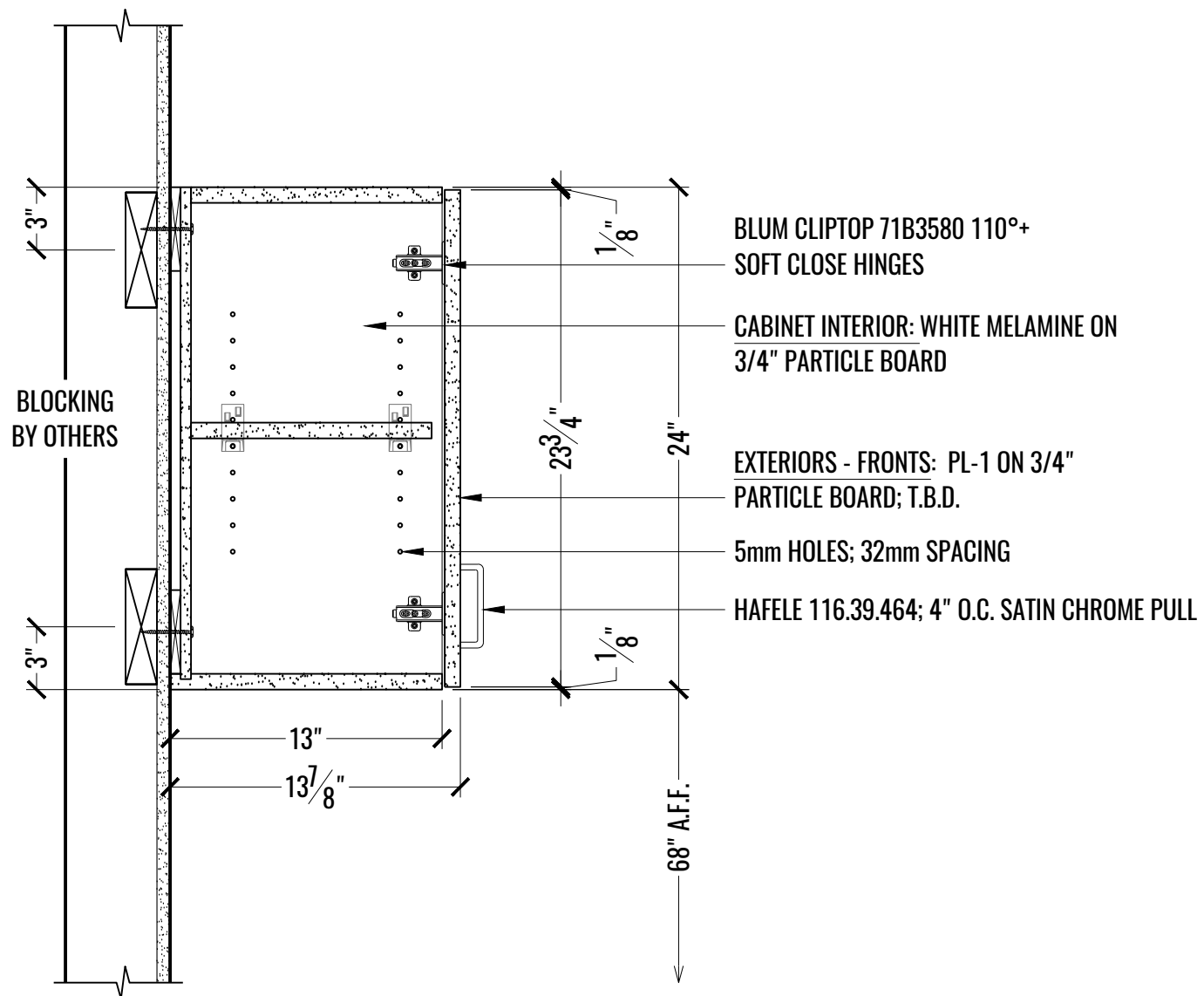
2 SECTION: UPPER CABINET 36" H - KITCHEN
 B SCALE: 1-1/2" = 1'-0"



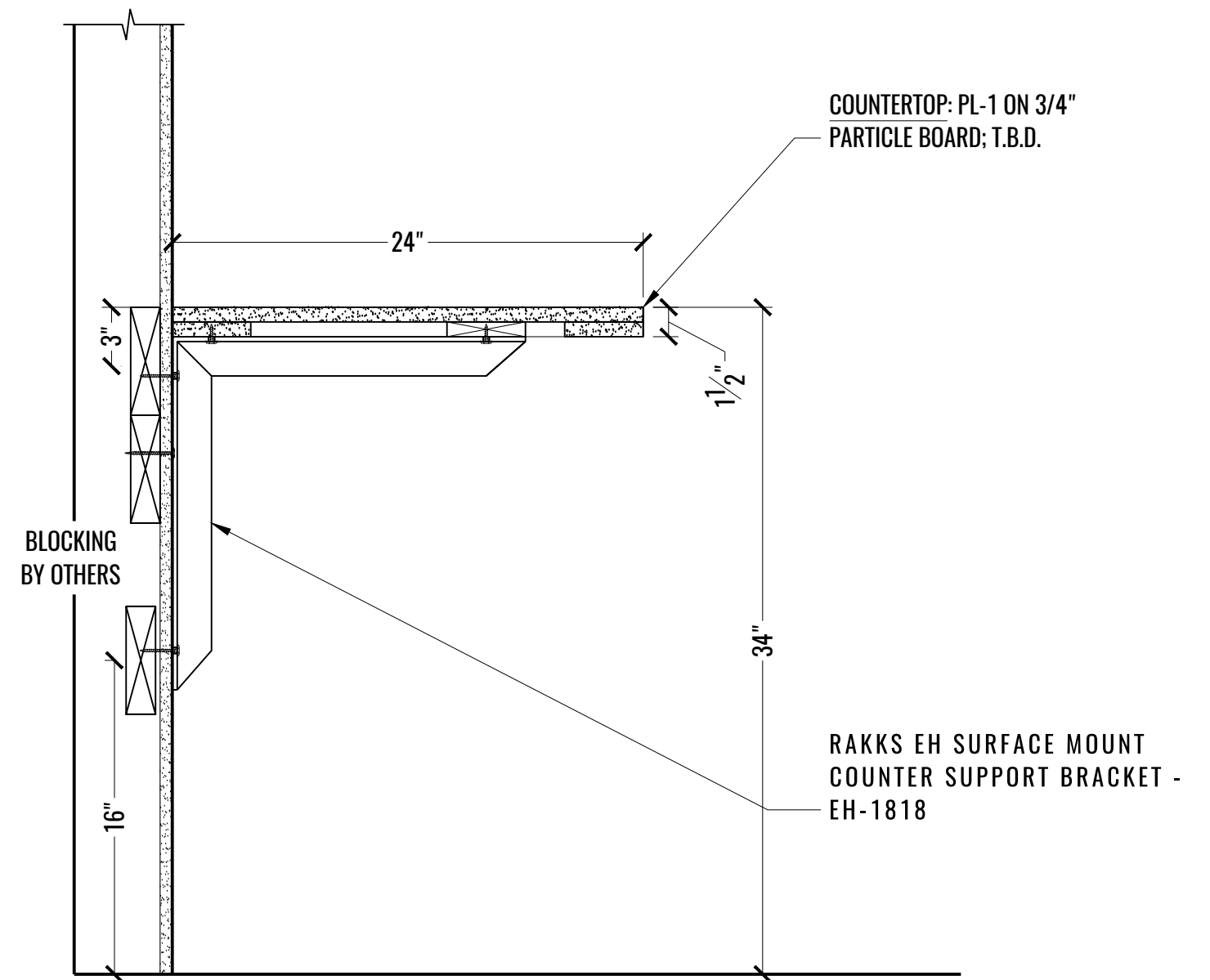
1 SECTION: UPPER CABINET 28" H - KITCHEN
 C SCALE: 1-1/2" = 1'-0"



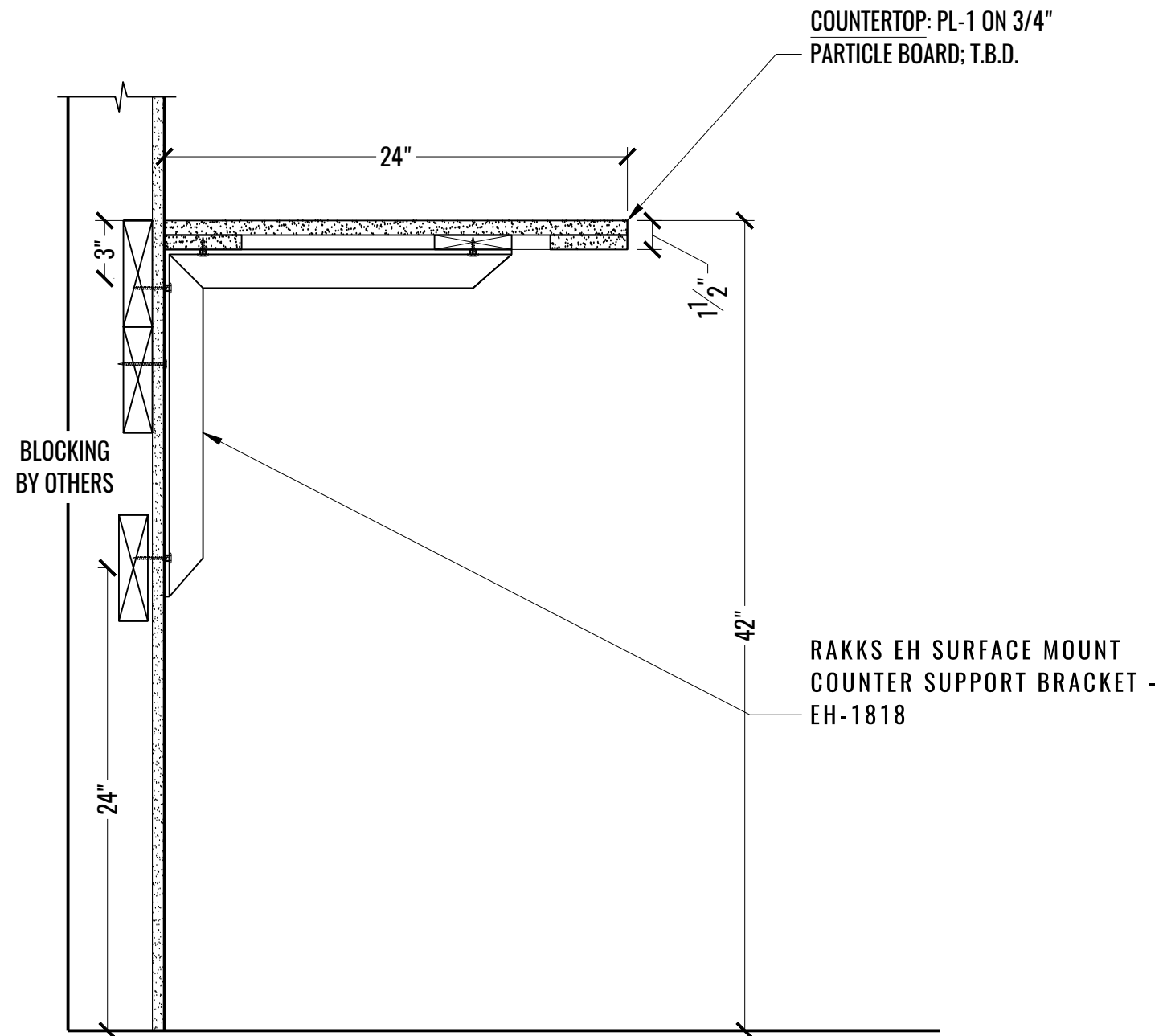
2 SECTION: UPPER CABINET 18" H @ MICROWAVE NICHE - KITCHEN
 C SCALE: 1-1/2" = 1'-0"



1 SECTION: UPPER CABINET 24" H - KITCHEN
 D SCALE: 1-1/2" = 1'-0"



2 SECTION: COUNTERTOP @ KITCHEN
 D SCALE: 1-1/2" = 1'-0"



1 SECTION: COUNTERTOP @ BAR
E SCALE: 1-1/2" = 1'-0"