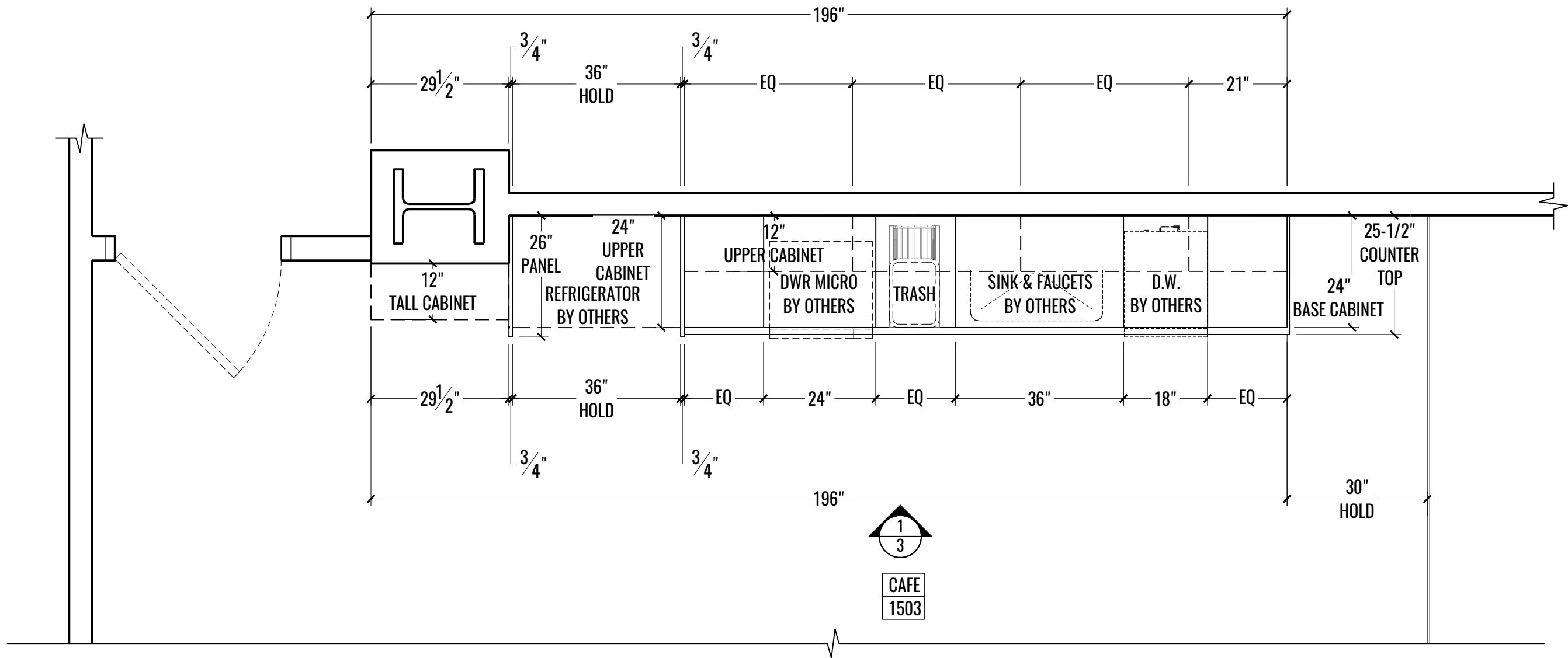
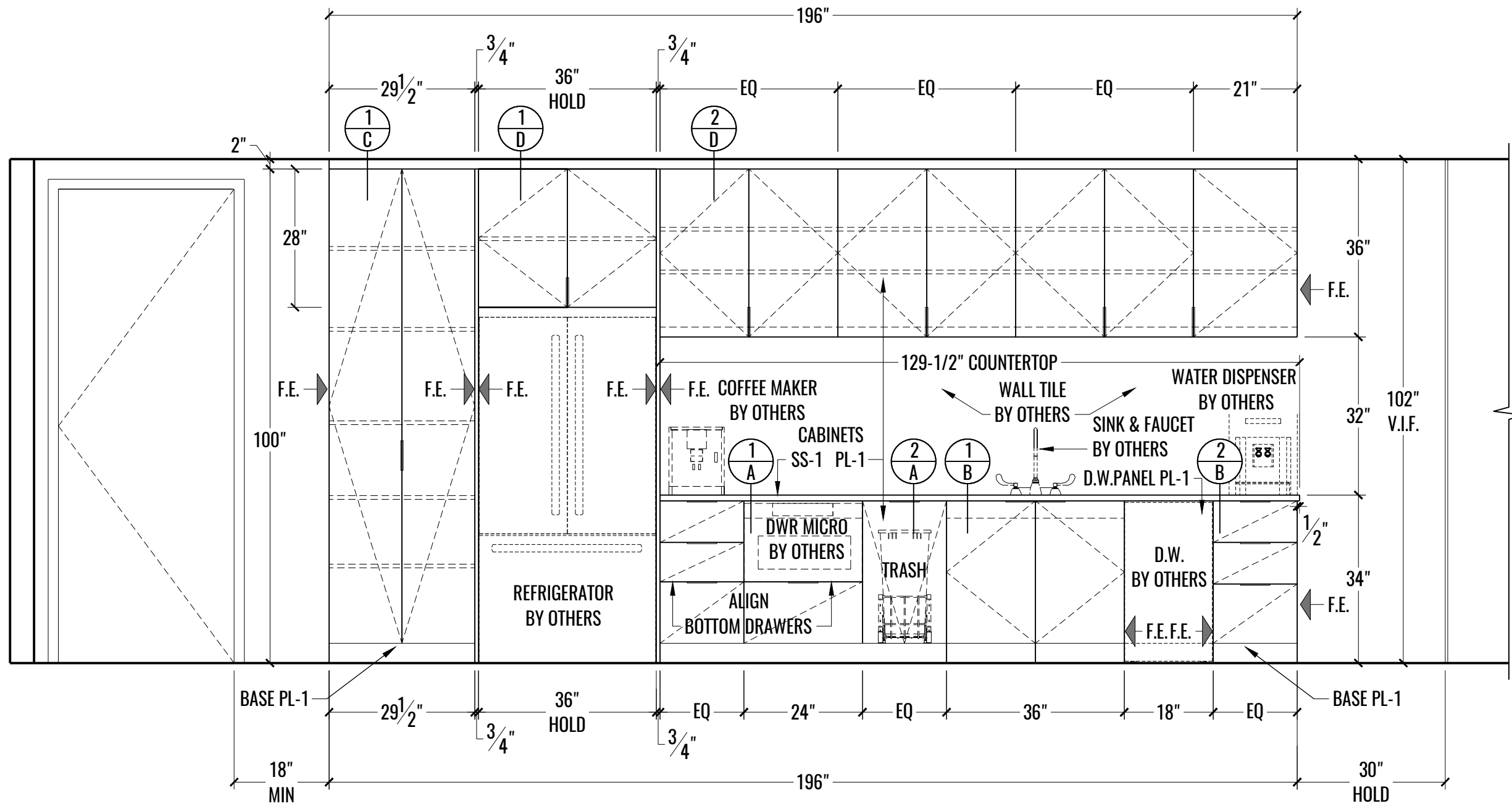


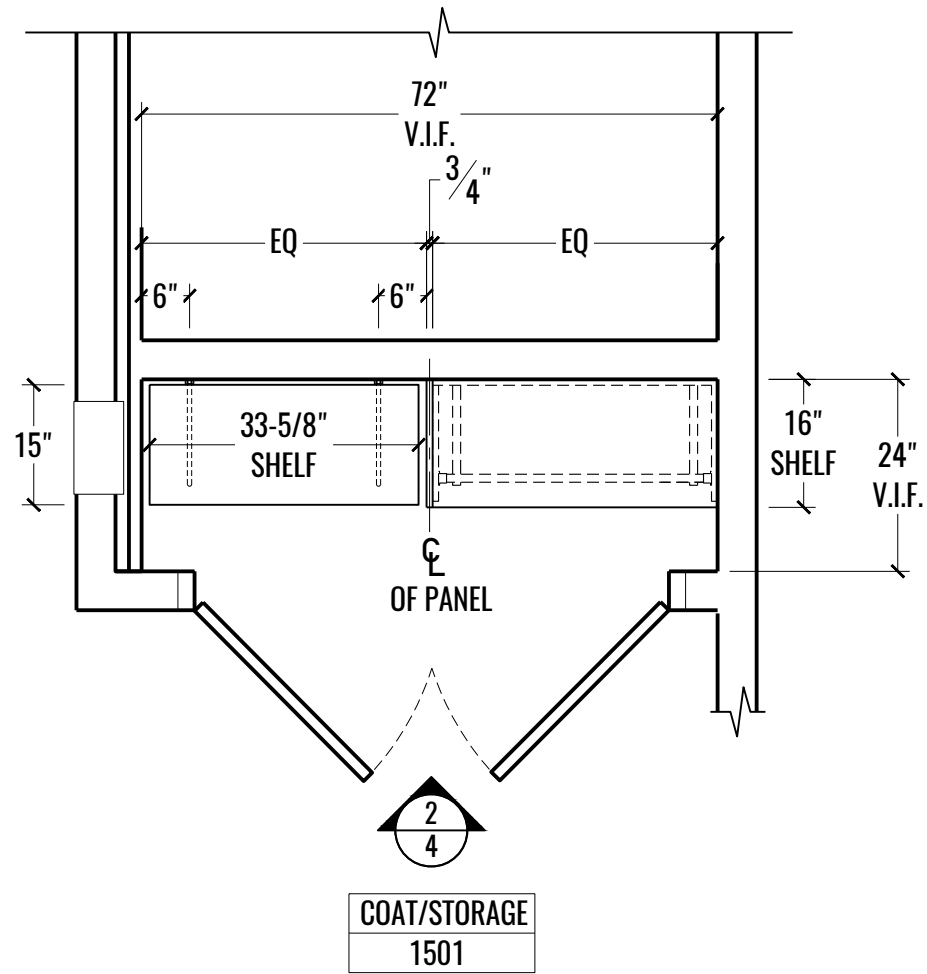
1 PLAN: PROJECT SCOPE - 15TH FLOOR
1 SCALE: NOT TO SCALE



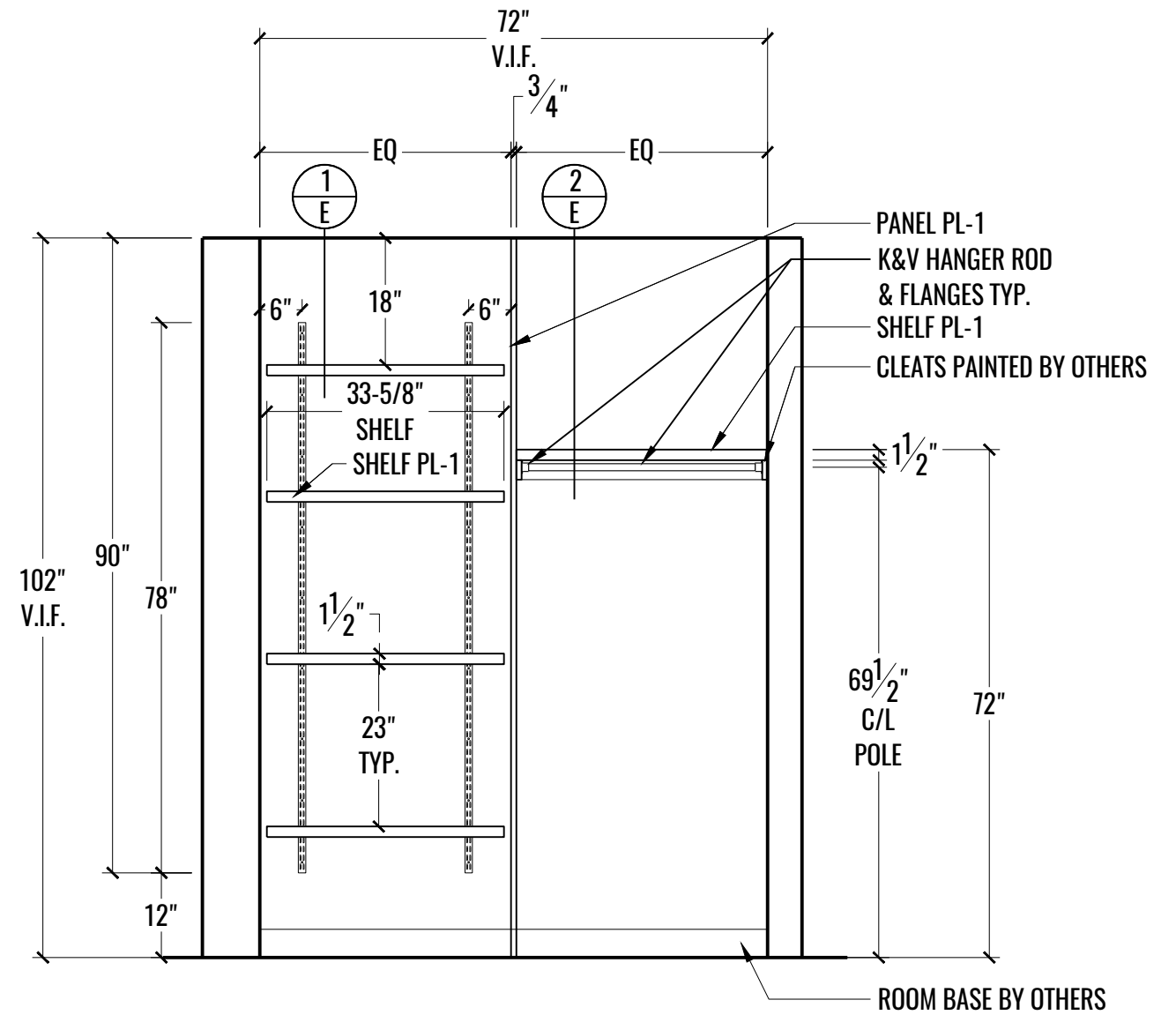
1 PLAN: CAFE - 1503
 2 SCALE: 1/2" = 1'-0"



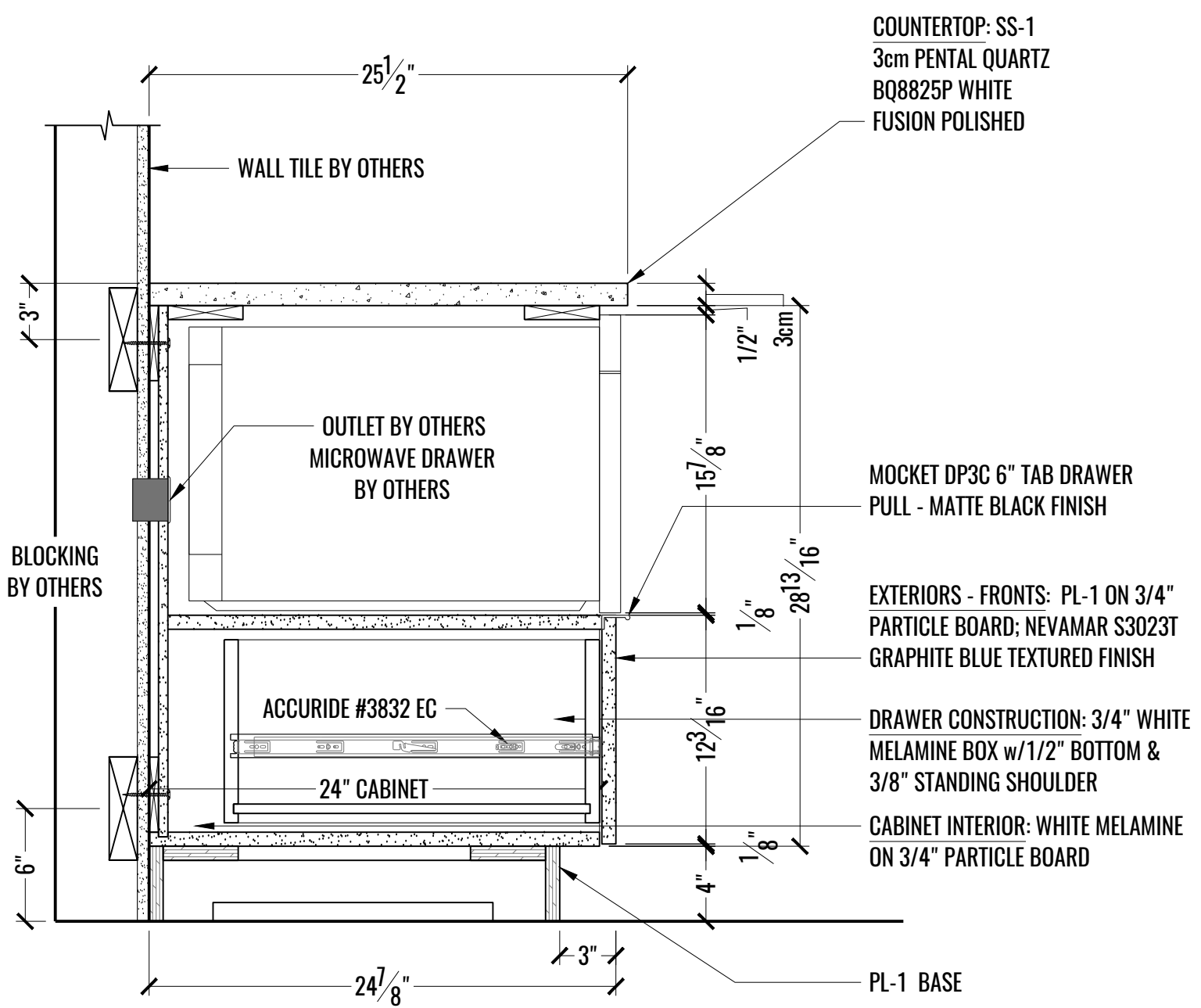
1 ELEVATION: CAFE - 1503
 3 SCALE: 1/2" = 1'-0"



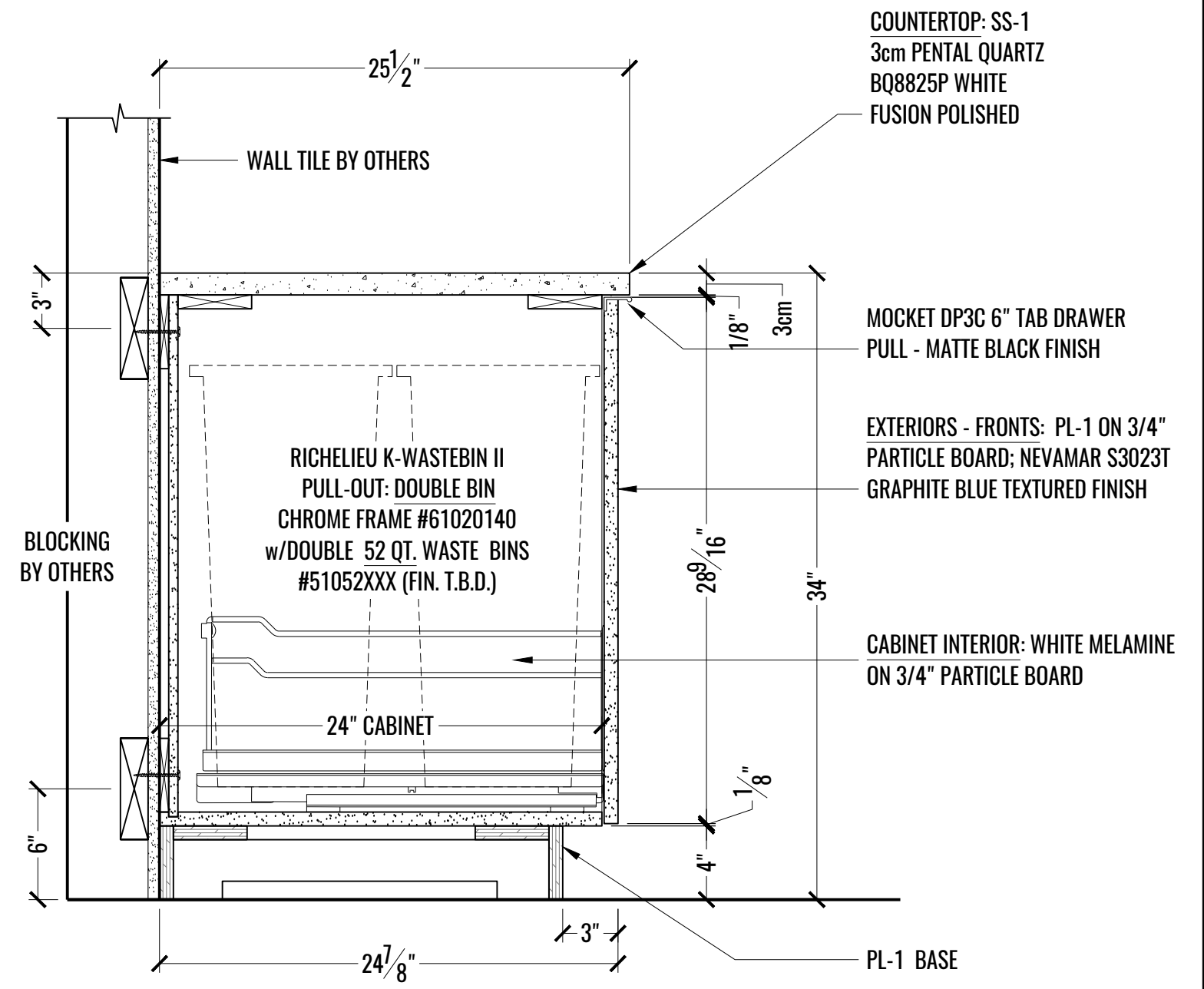
1 PLAN: COAT/STORAGE - 1501
4 SCALE: 1/2" = 1'-0"



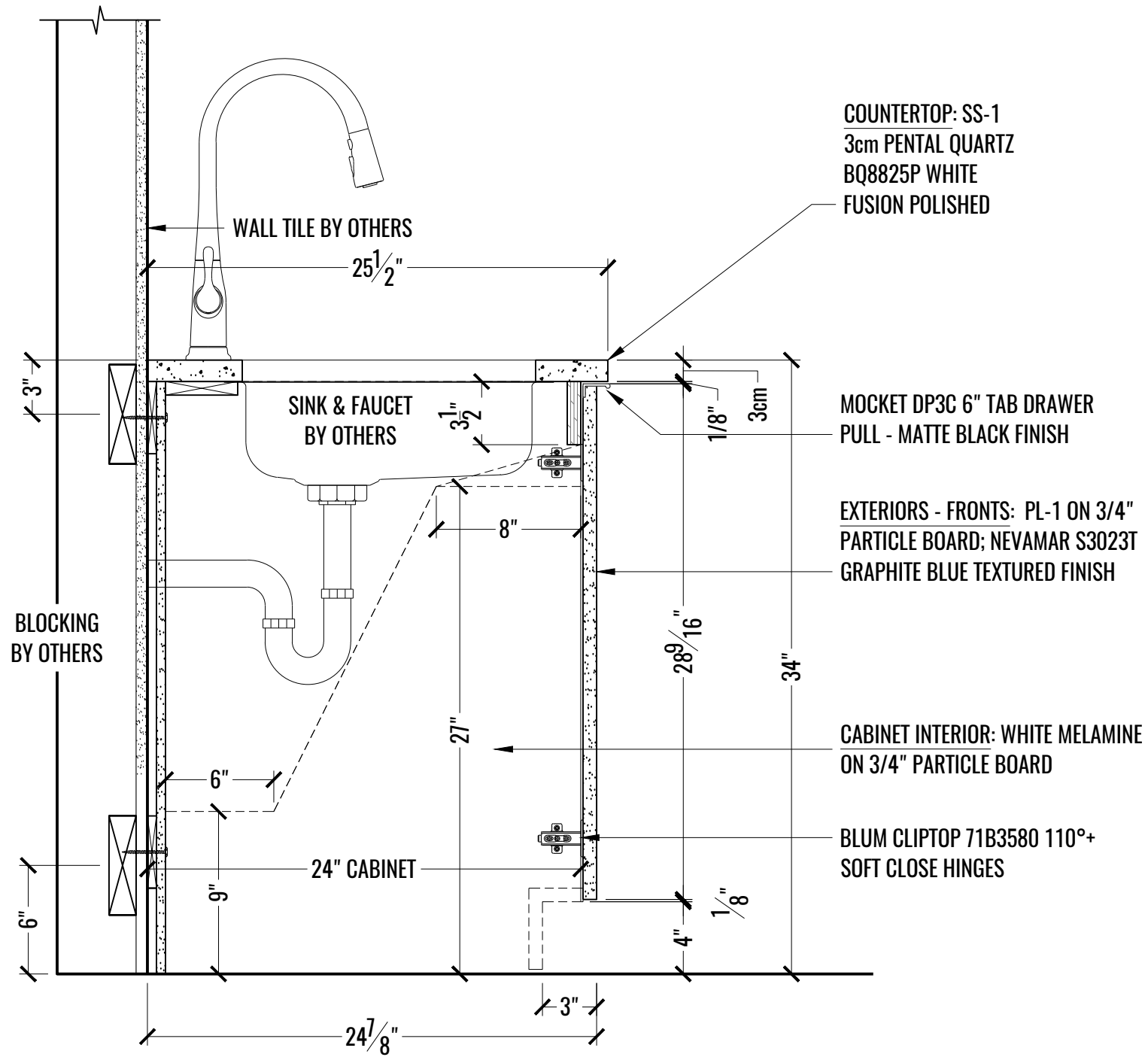
2 ELEVATION: COAT/STORAGE - 1501
4 SCALE: 1/2" = 1'-0"



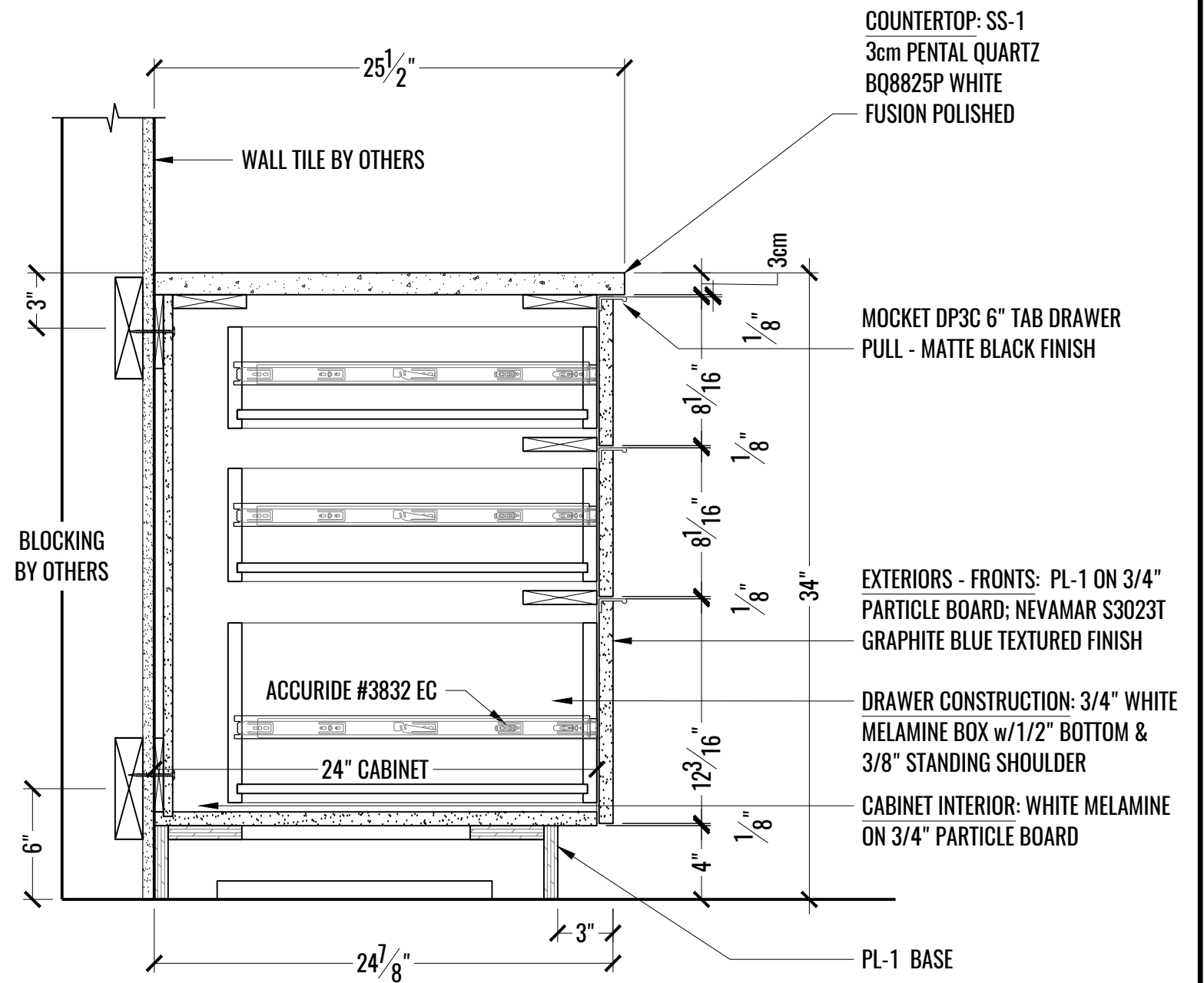
1 SECTION: BASE CABINET @ MICROWAVE DRAWER - CAFE - 1503
A SCALE: 1-1/2" = 1'-0"



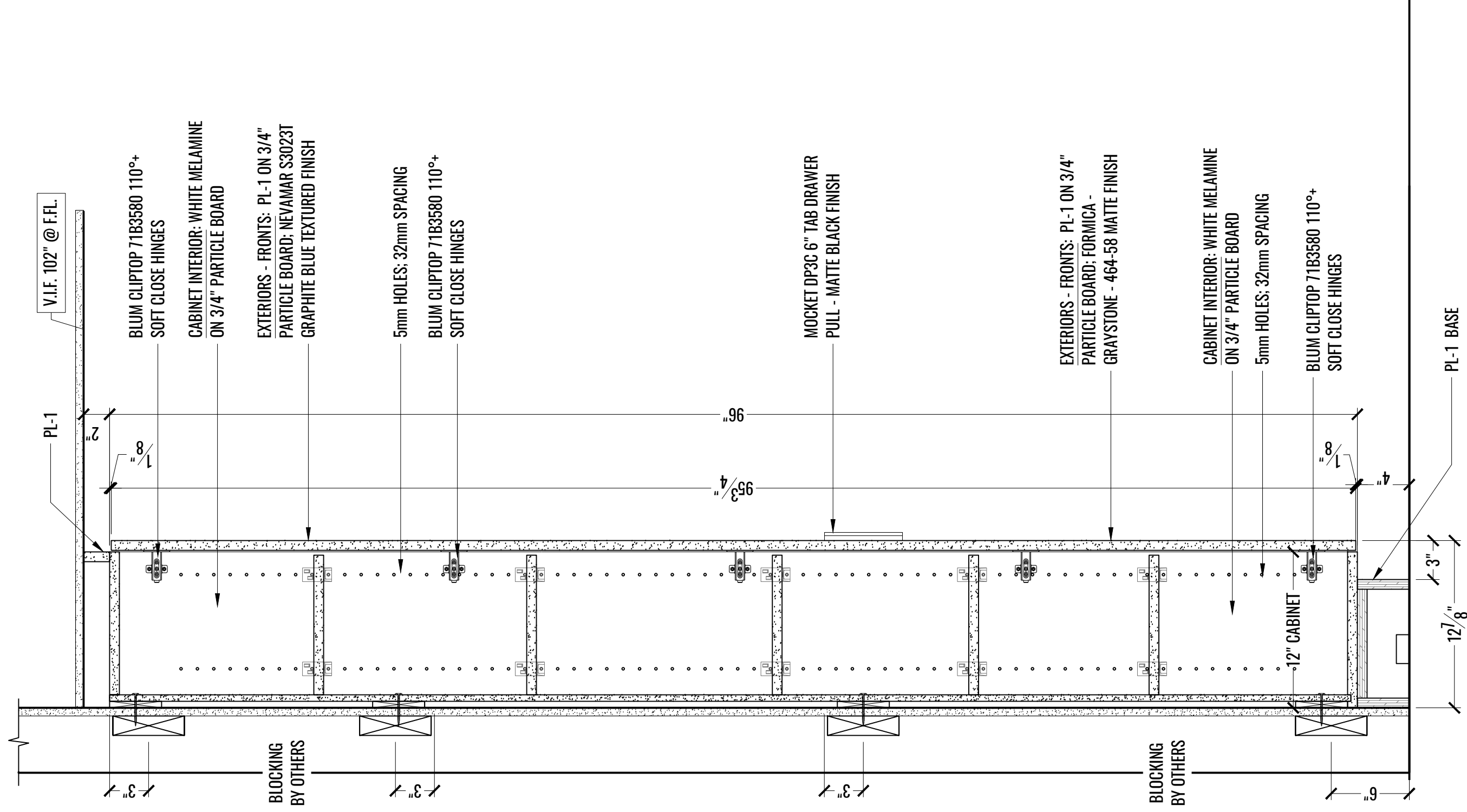
2 SECTION: BASE CABINET @ TRASH CAFE - 1503
A SCALE: 1-1/2" = 1'-0"



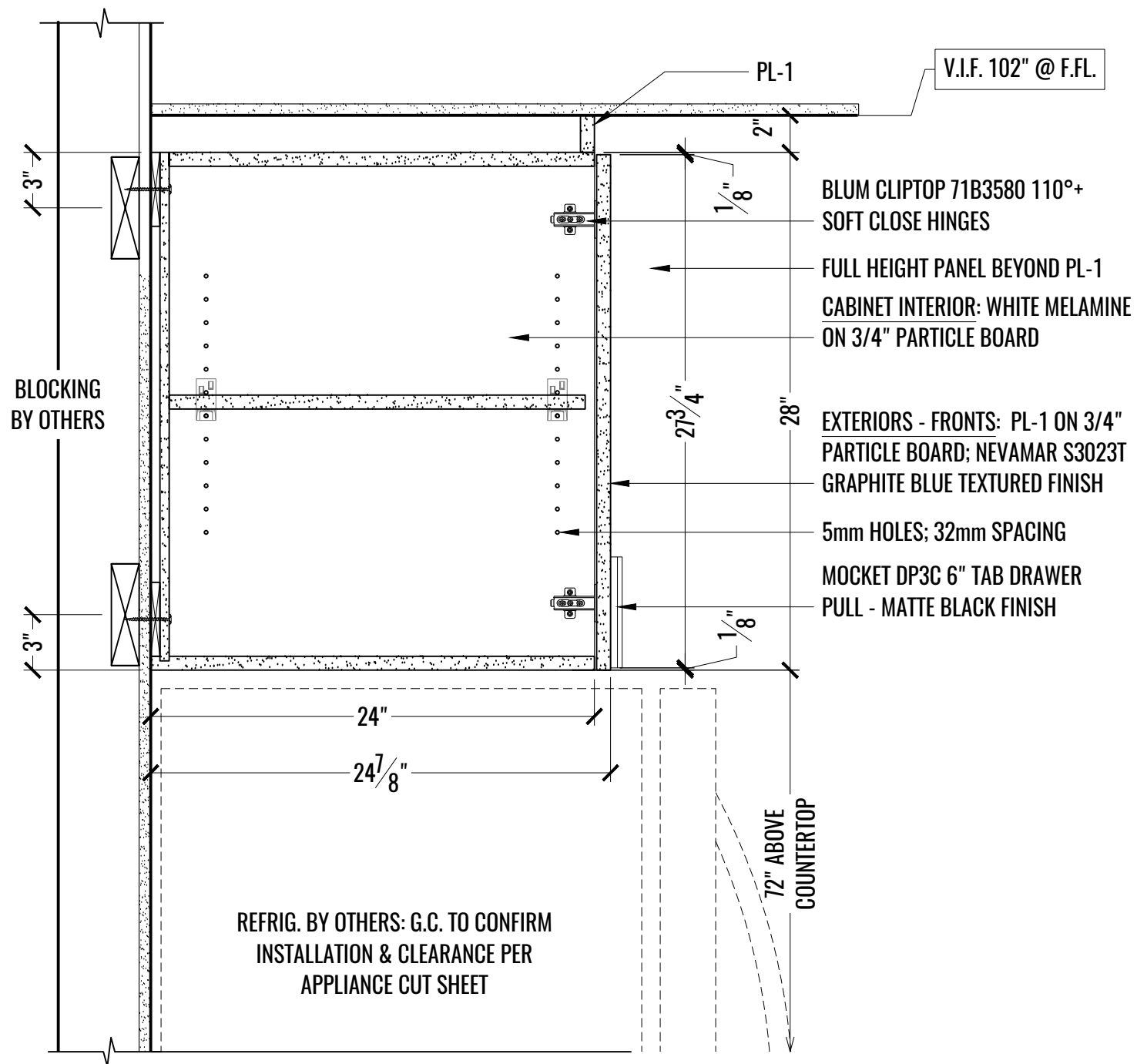
1 SECTION: BASE CABINET @ SINK CAFE - 1503
B SCALE: 1-1/2" = 1'-0"



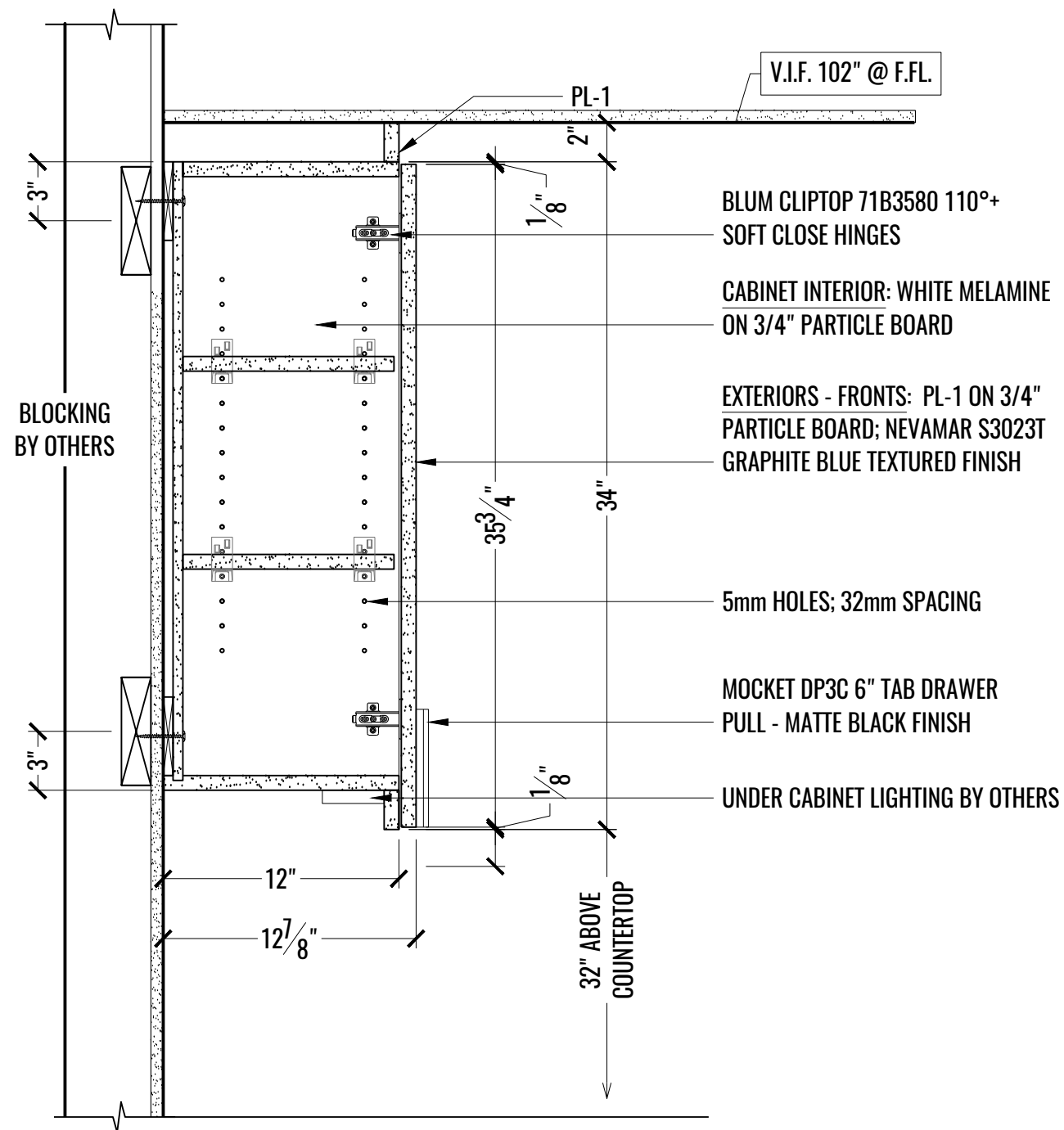
2 SECTION: BASE CABINET @ DRAWERS - CAFE - 1503
B SCALE: 1-1/2" = 1'-0"



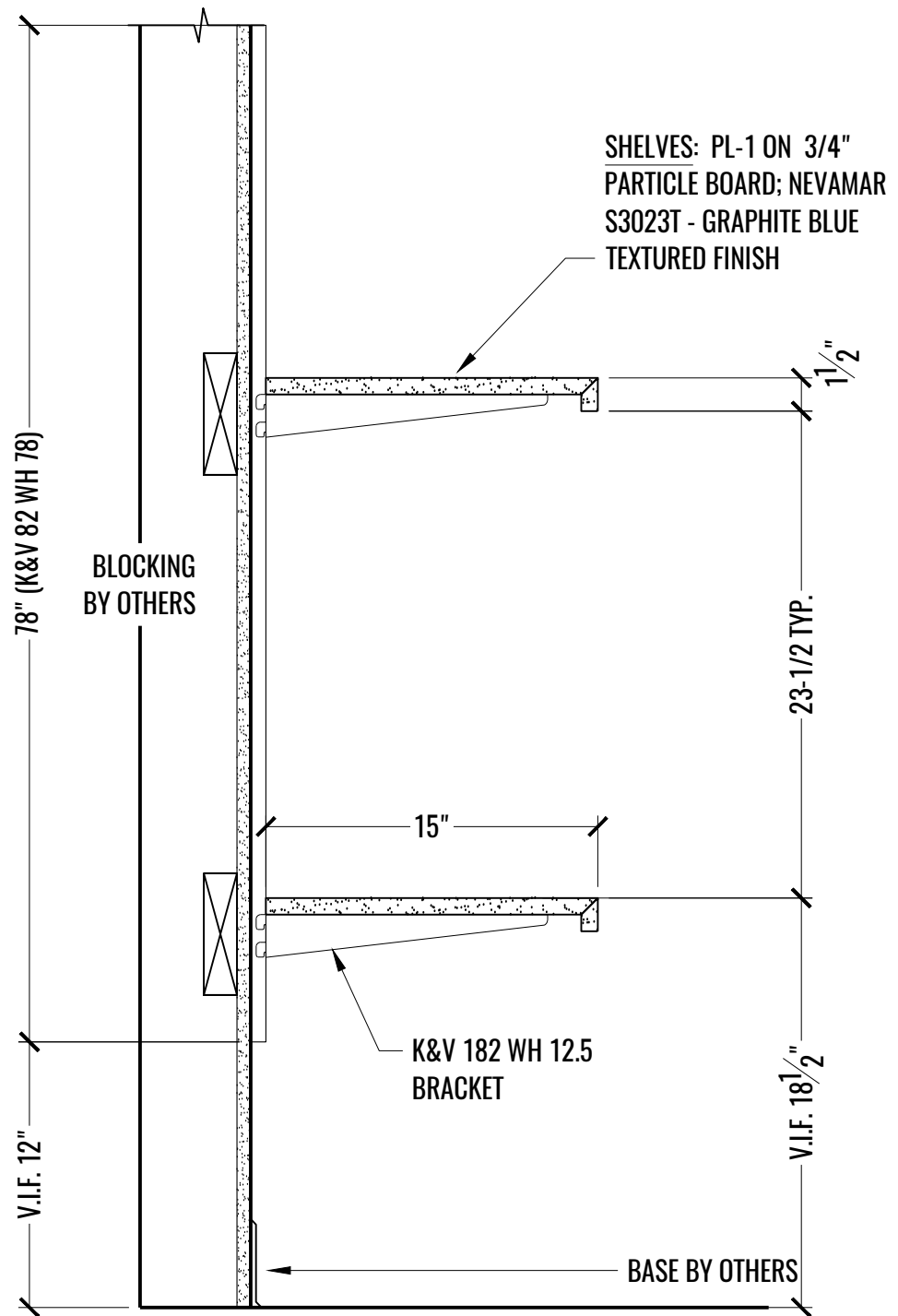
1 SECTION: TALL CABINET - CAFE - 1503
 C SCALE: 1-1/2" = 1'-0"



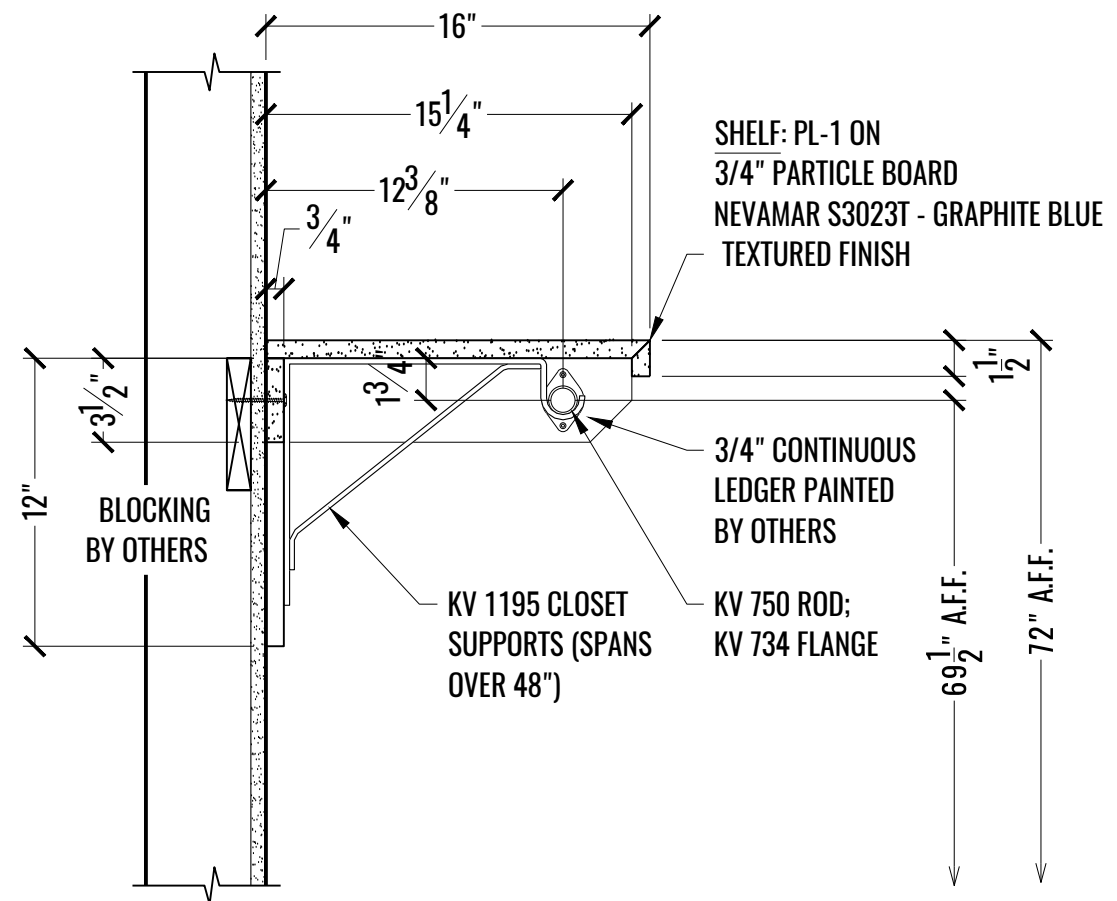
1 SECTION: UPPER CABINET ABOVE REFRIGERATOR - CAFE - 1503
 D SCALE: 1-1/2" = 1'-0"



2 SECTION: UPPER CABINET 36" H - CAFE - 1503
 D SCALE: 1-1/2" = 1'-0"



1 SECTION: ADJUSTABLE SHELVES - COAT/STORAGE - 1501
E SCALE: 1-1/2" = 1'-0"



2 SECTION: CLOSET ROD & SHELF - COAT/STORAGE - 1501
E SCALE: 1-1/2" = 1'-0"