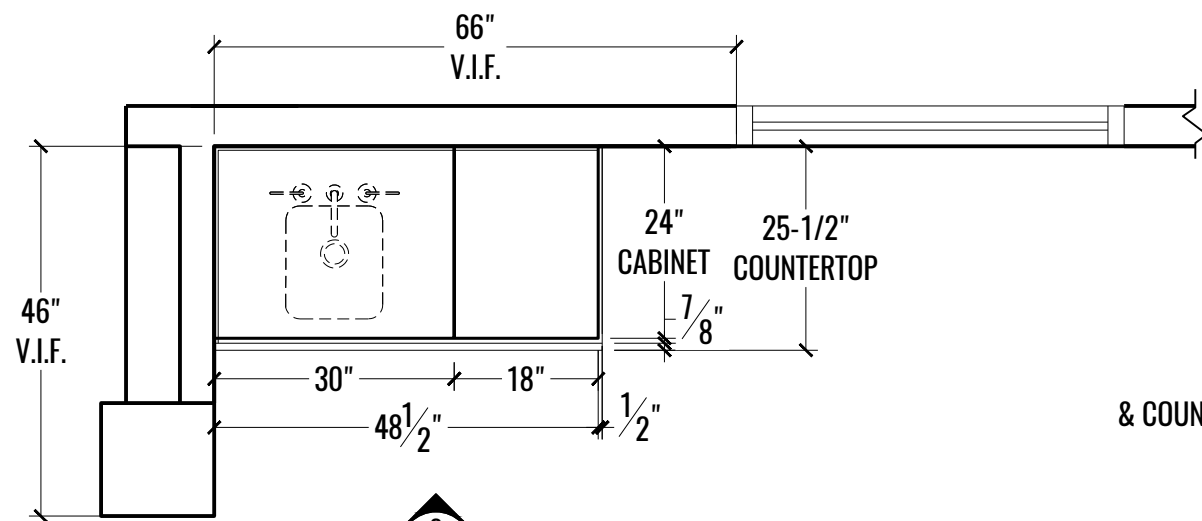
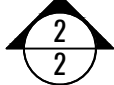
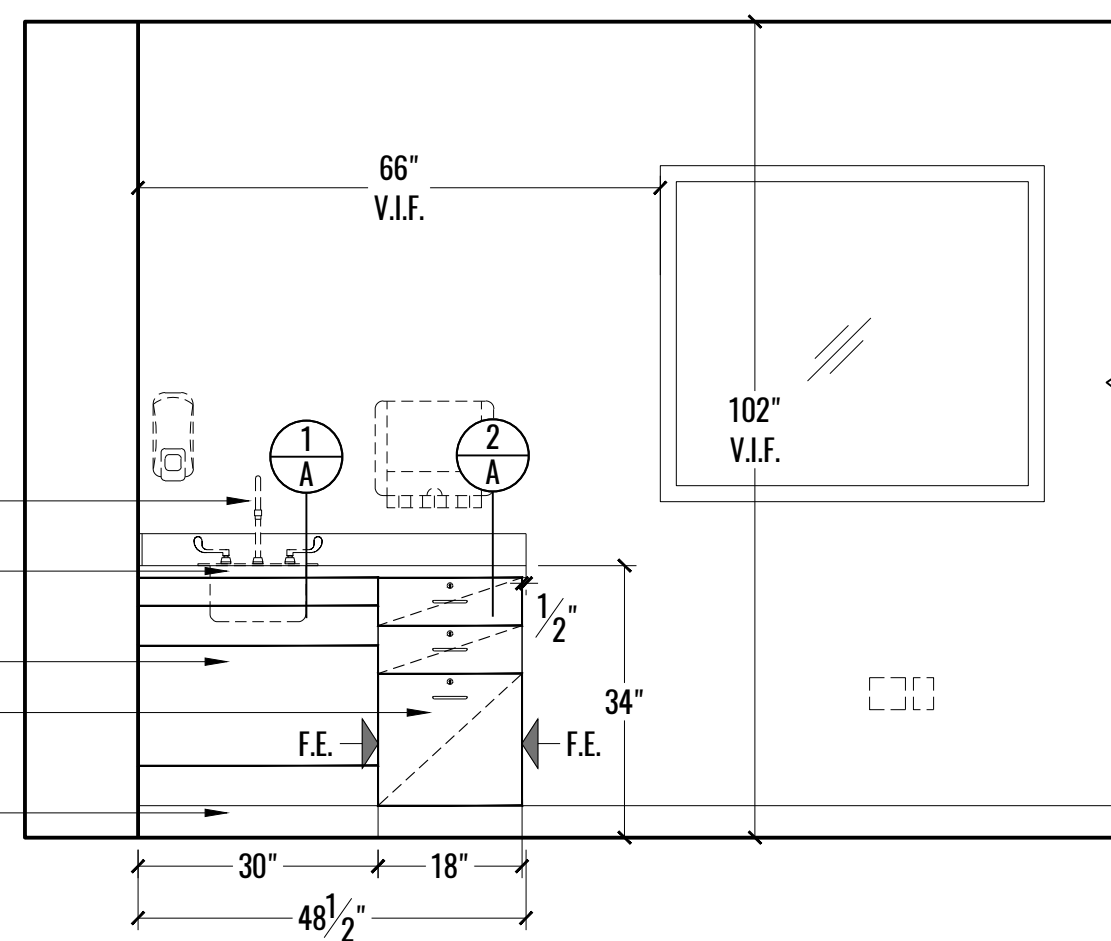


1 PLAN: PROJECT SCOPE - GROUND FLOOR
 1 SCALE: NOT TO SCALE



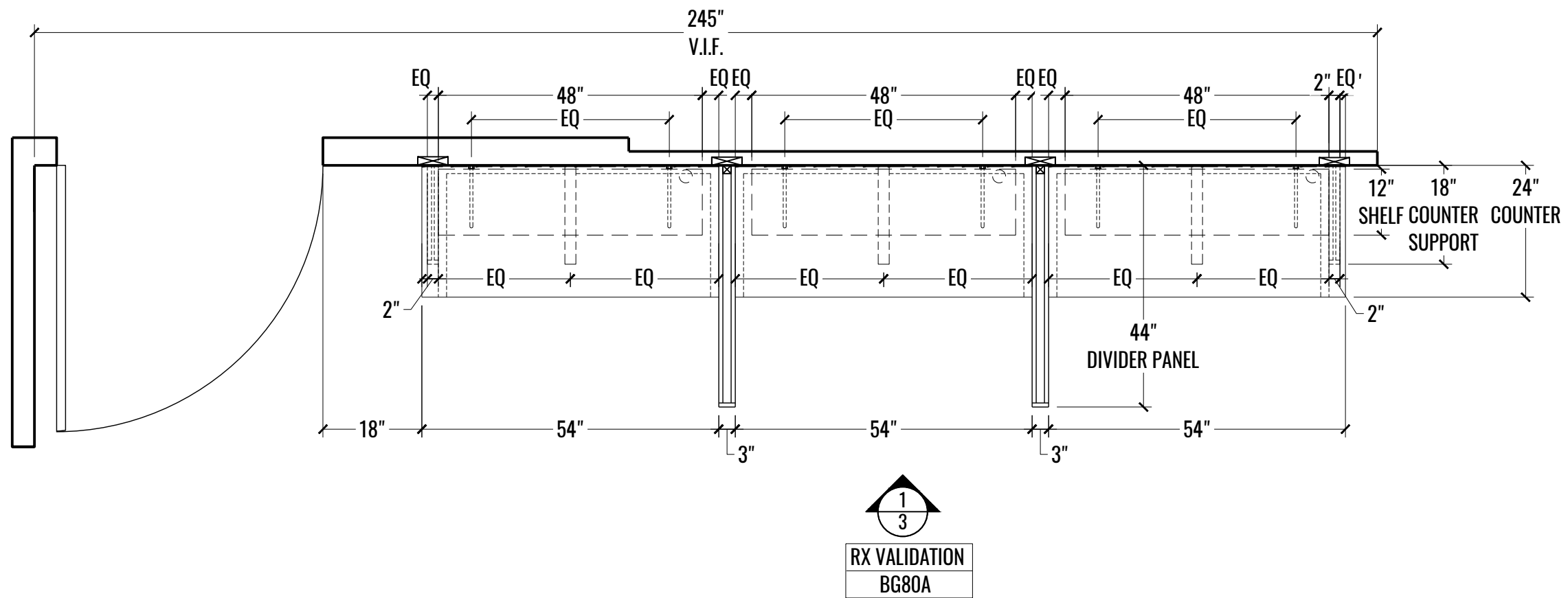

 VALIDATION
 BG79

- SINK & FAUCET BY OTHERS
- SS-1 - BACKSPLASH
& COUNTER $\frac{1}{2}$ " THK W/ $\frac{7}{8}$ " DRIP EDGE
- PL-1 ANGLED PANEL
- PL-1 CABINET
- VINYL BASE BY OTHERS

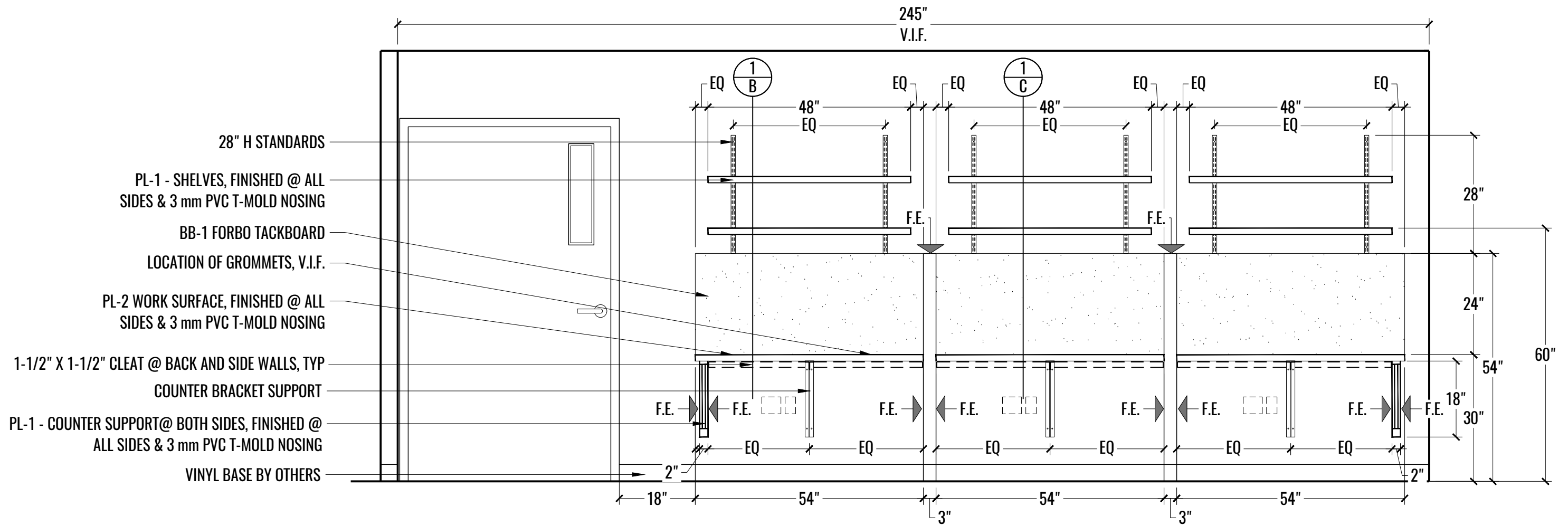


1 PLAN: VALIDATION RM# BG79
 2 SCALE: 1/2" = 1'-0"

2 ELEVATION: VALIDATION RM# BG79
 2 SCALE: 1/2" = 1'-0"



1 PLAN: RX VALIDATION RM# BG80A
3 SCALE: 1/2" = 1'-0"

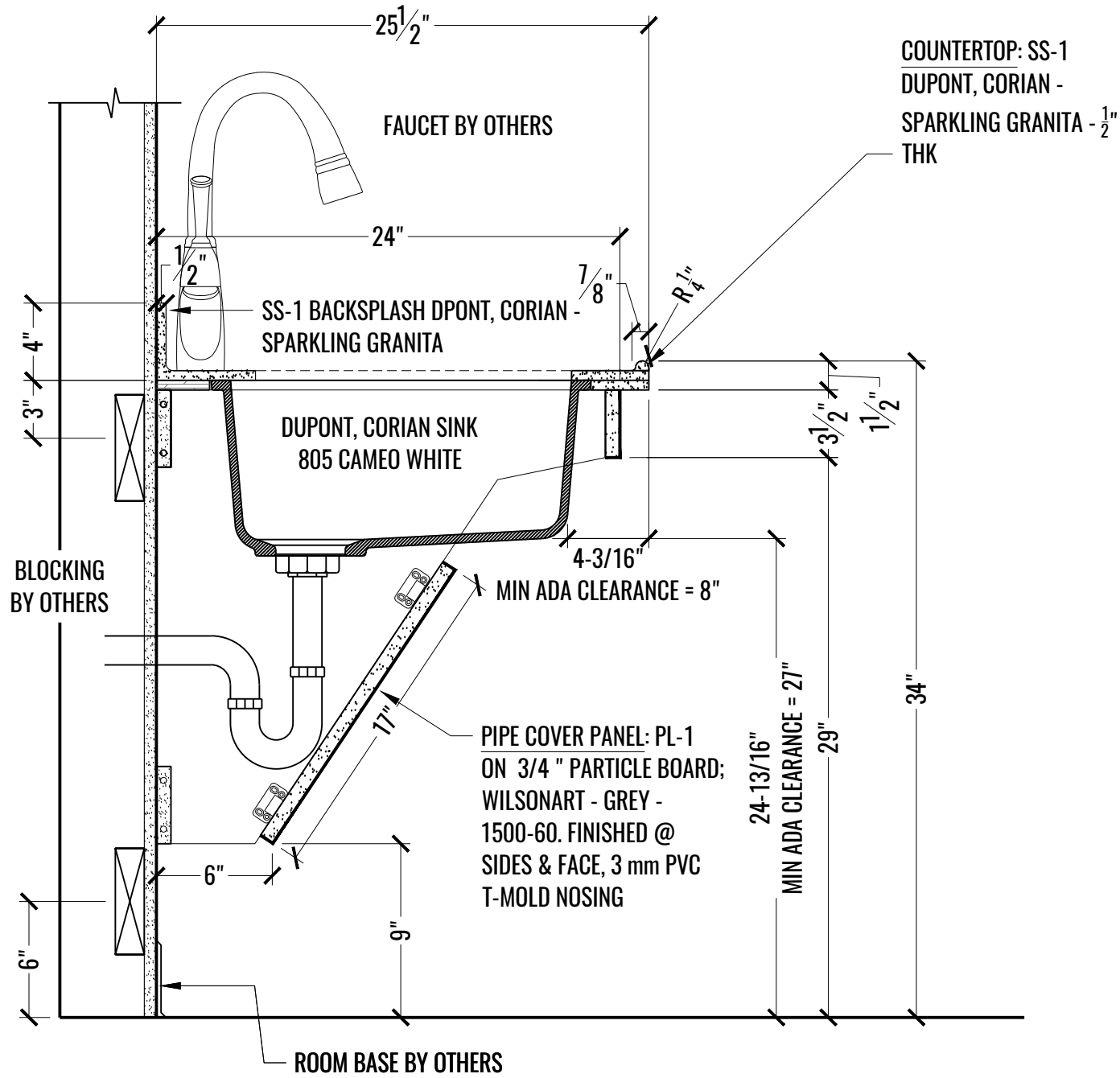


- 28" H STANDARDS
- PL-1 - SHELVES, FINISHED @ ALL SIDES & 3 mm PVC T-MOLD NOSING
- BB-1 FORBO TACKBOARD
- LOCATION OF GROMMETS, V.I.F.
- PL-2 WORK SURFACE, FINISHED @ ALL SIDES & 3 mm PVC T-MOLD NOSING
- 1-1/2" X 1-1/2" CLEAT @ BACK AND SIDE WALLS, TYP
- COUNTER BRACKET SUPPORT
- PL-1 - COUNTER SUPPORT @ BOTH SIDES, FINISHED @ ALL SIDES & 3 mm PVC T-MOLD NOSING
- VINYL BASE BY OTHERS

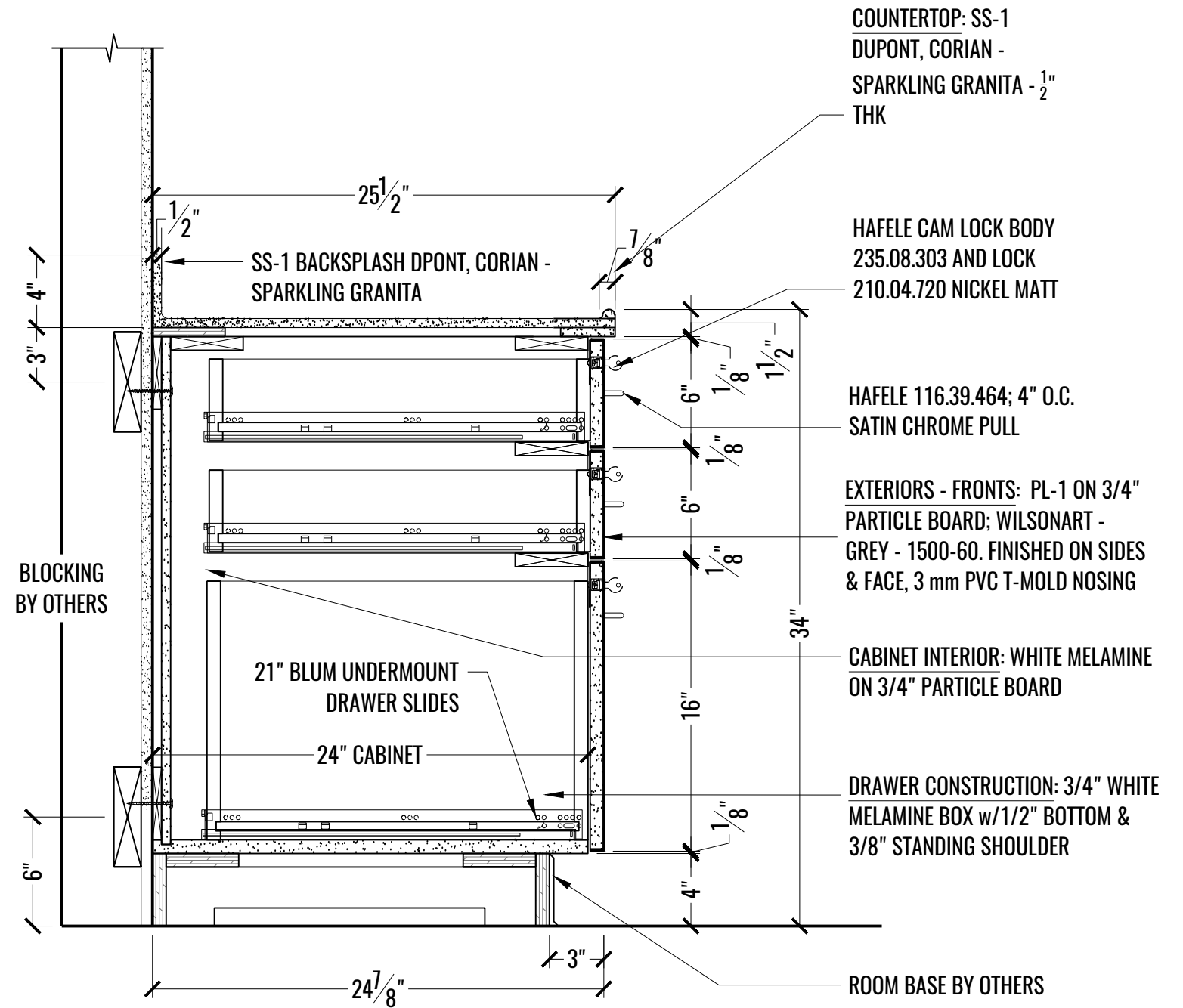
1 ELEVATION: RX VALIDATION RM# BG80A
4 SCALE: 1/2" = 1'-0"

***** DUPONT, CORIAN SINK - 805 CAMEO WHITE DOES NOT PROVIDE ADA COMPLIANCE.

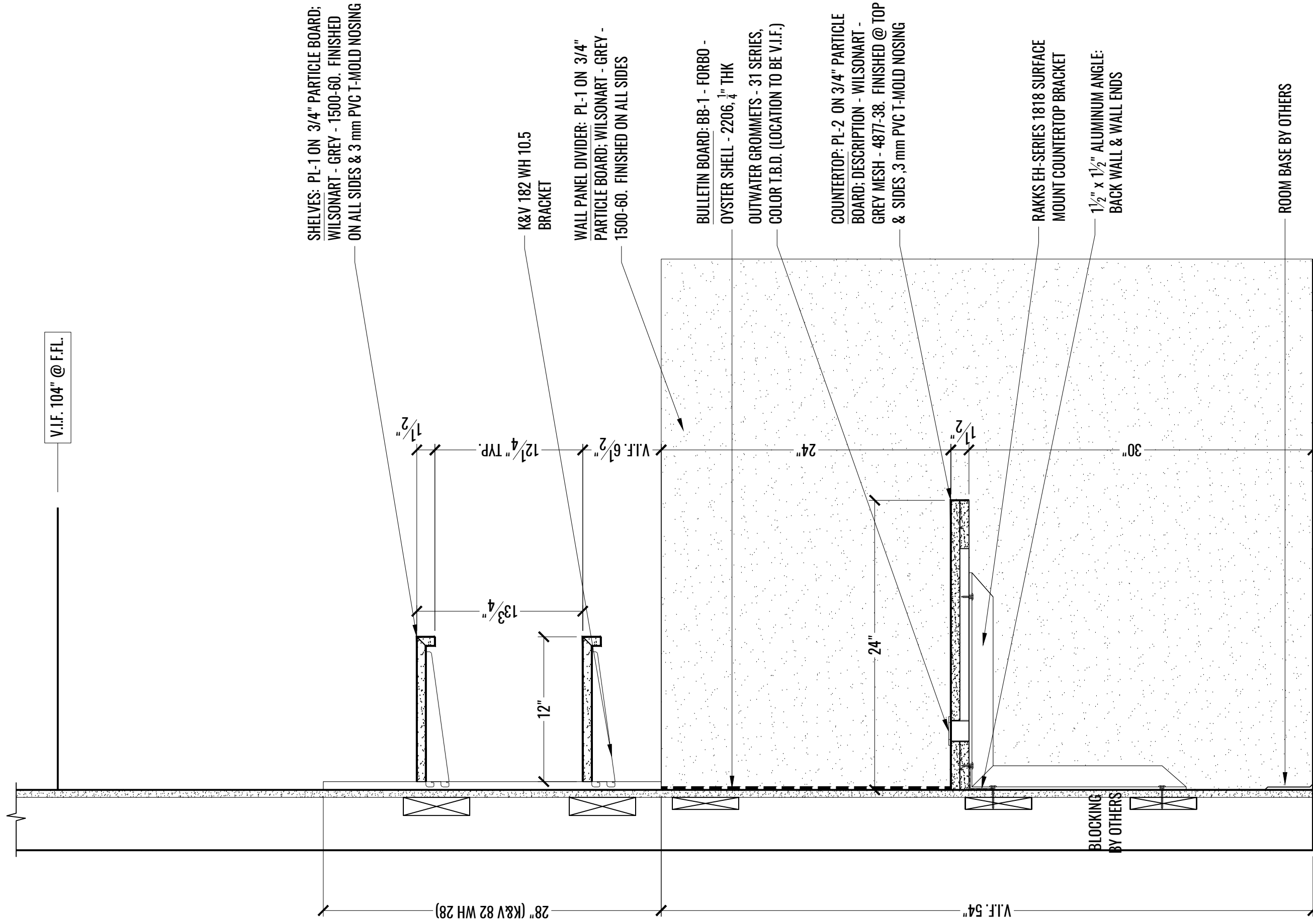
***** DUPONT, CORIAN SINK - 8254 PROVIDES ADA COMPLIANCE.



1 SECTION: VALIDATION RM# BG79 @ SINK
A SCALE: 1-1/2" = 1'-0"



2 SECTION: VALIDATION RM# BG79 @ DRAWERS
A SCALE: 1-1/2" = 1'-0"



SHELVES: PL-1 ON 3/4" PARTICLE BOARD; WILSONART - GREY - 1500-60. FINISHED ON ALL SIDES & 3 mm PVC T-MOLD NOSING

K&V 182 WH 10.5 BRACKET

WALL PANEL DIVIDER: PL-1 ON 3/4" PARTICLE BOARD; WILSONART - GREY - 1500-60. FINISHED ON ALL SIDES

BULLETIN BOARD: BB-1 - FORBO - OYSTER SHELL - 2206, 1" THK

OUTWATER GROMMETS - 31 SERIES, COLOR T.B.D. (LOCATION TO BE V.I.F.)

COUNTERTOP: PL-2 ON 3/4" PARTICLE BOARD; DESCRIPTION - WILSONART - GREY MESH - 4877-38. FINISHED @ TOP & SIDES, 3 mm PVC T-MOLD NOSING

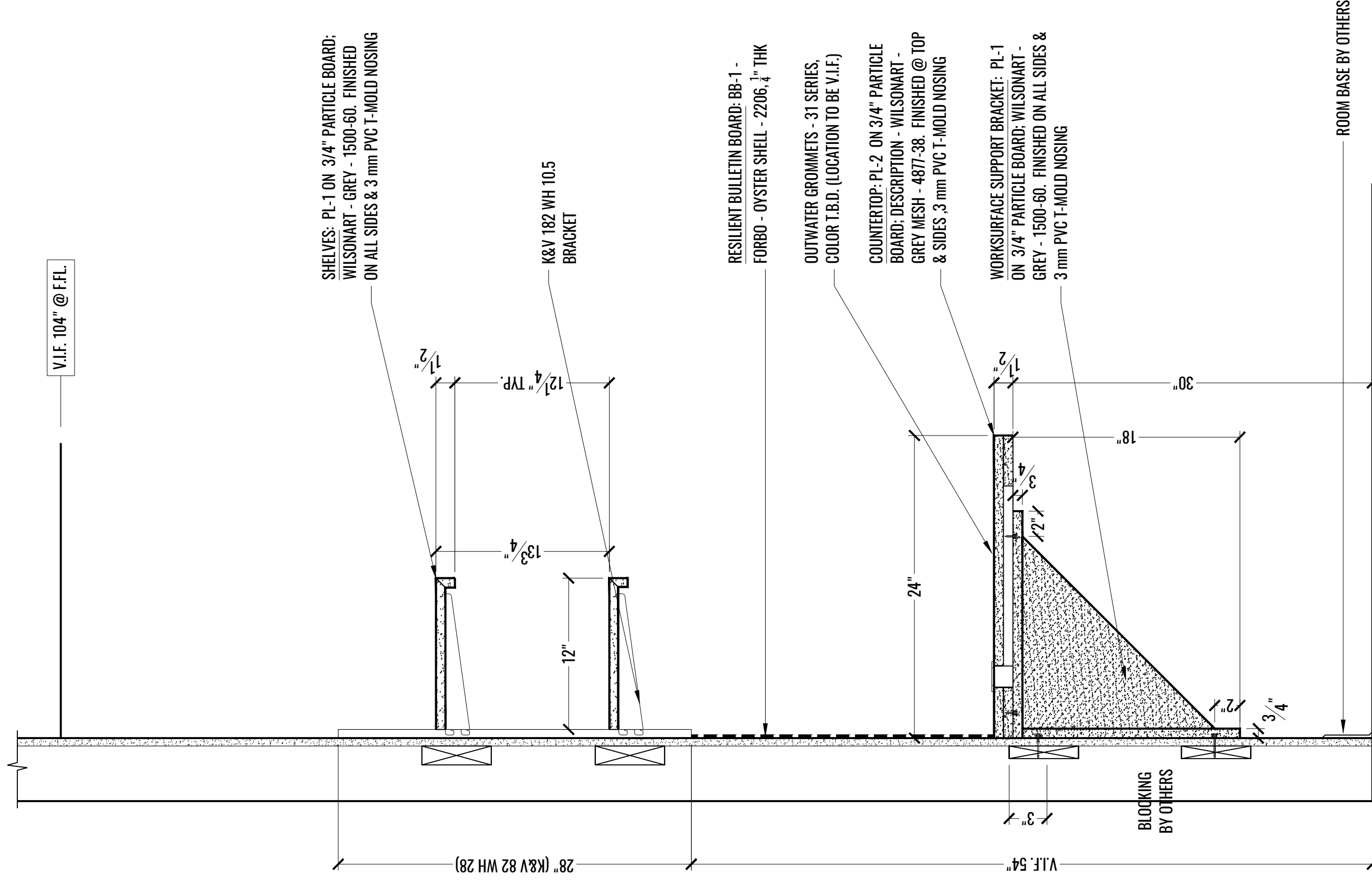
RAKKS EH-SERIES 1818 SURFACE MOUNT COUNTERTOP BRACKET

1 1/2" x 1 1/2" ALUMINUM ANGLE: BACK WALL & WALL ENDS

ROOM BASE BY OTHERS

1 SECTION: RX VALIDATION RM# BG80A @ PLAM DIVIDER PANEL
B SCALE: 1-1/2" = 1'-0"

DRAWING NUMBER
MWB



1 SECTION: RX VALIDATION RM# BG80A @ PLAM SUPPORT BRACKET
 C SCALE: 1-1/2" = 1'-0"