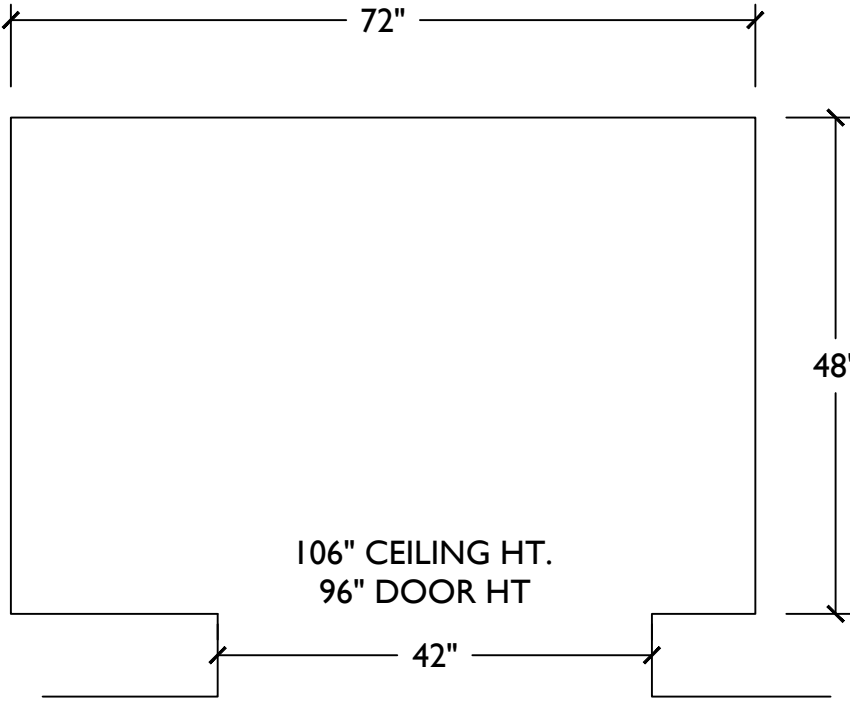


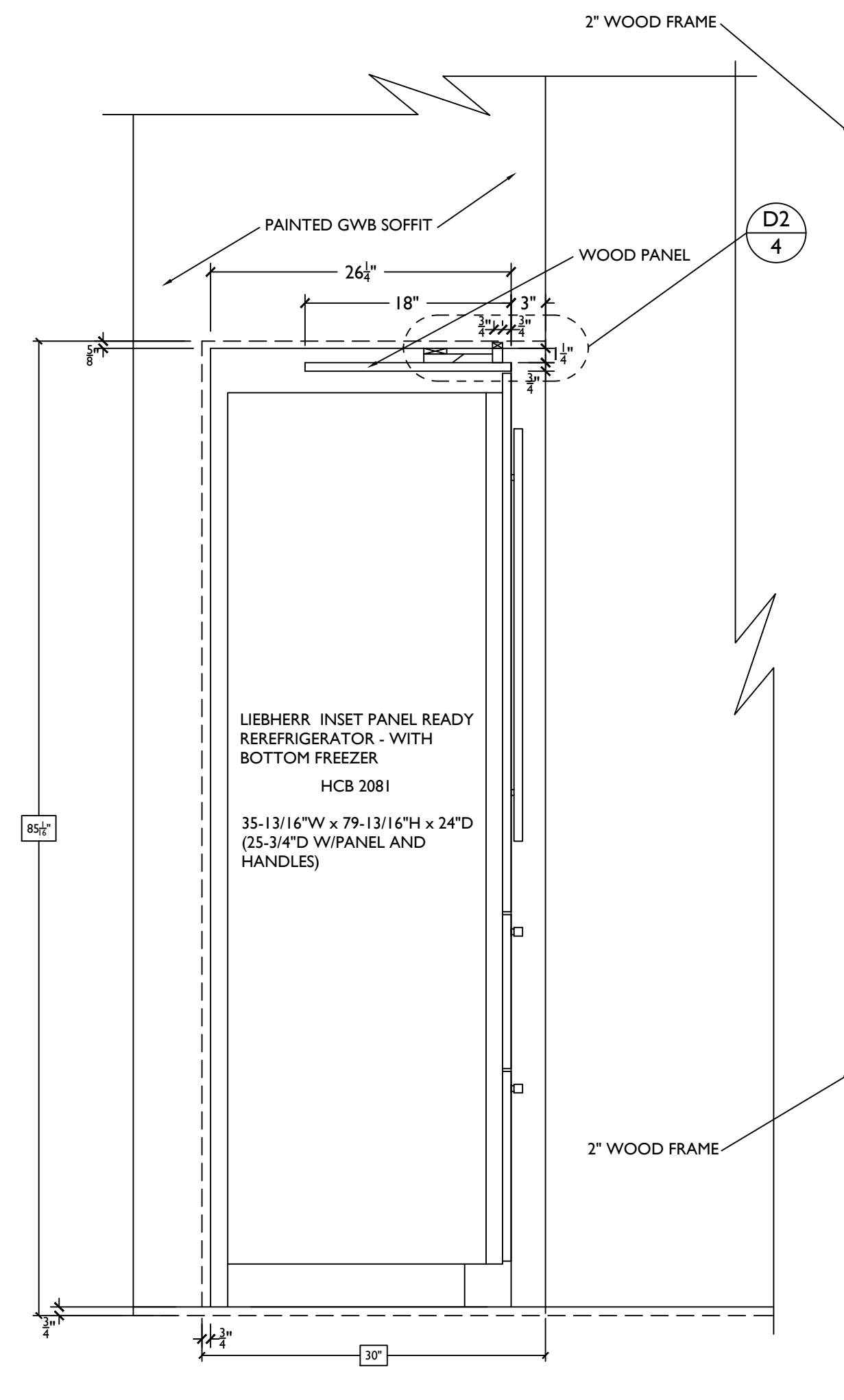
PANTRY KITCHENETTE AREA



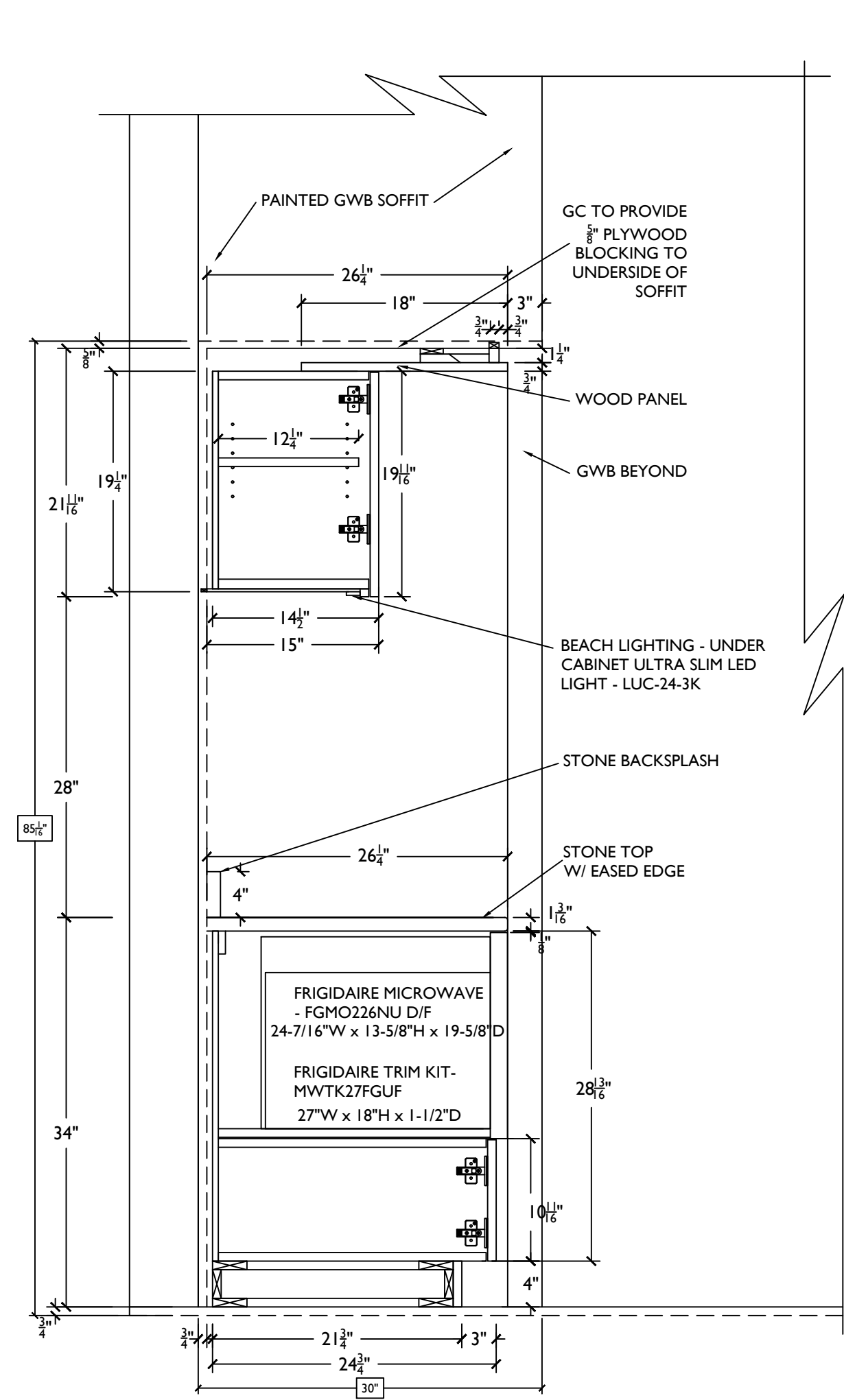
FREIGHT ELEVATOR

EXISTING CONDITIONS
SCALE: NONE

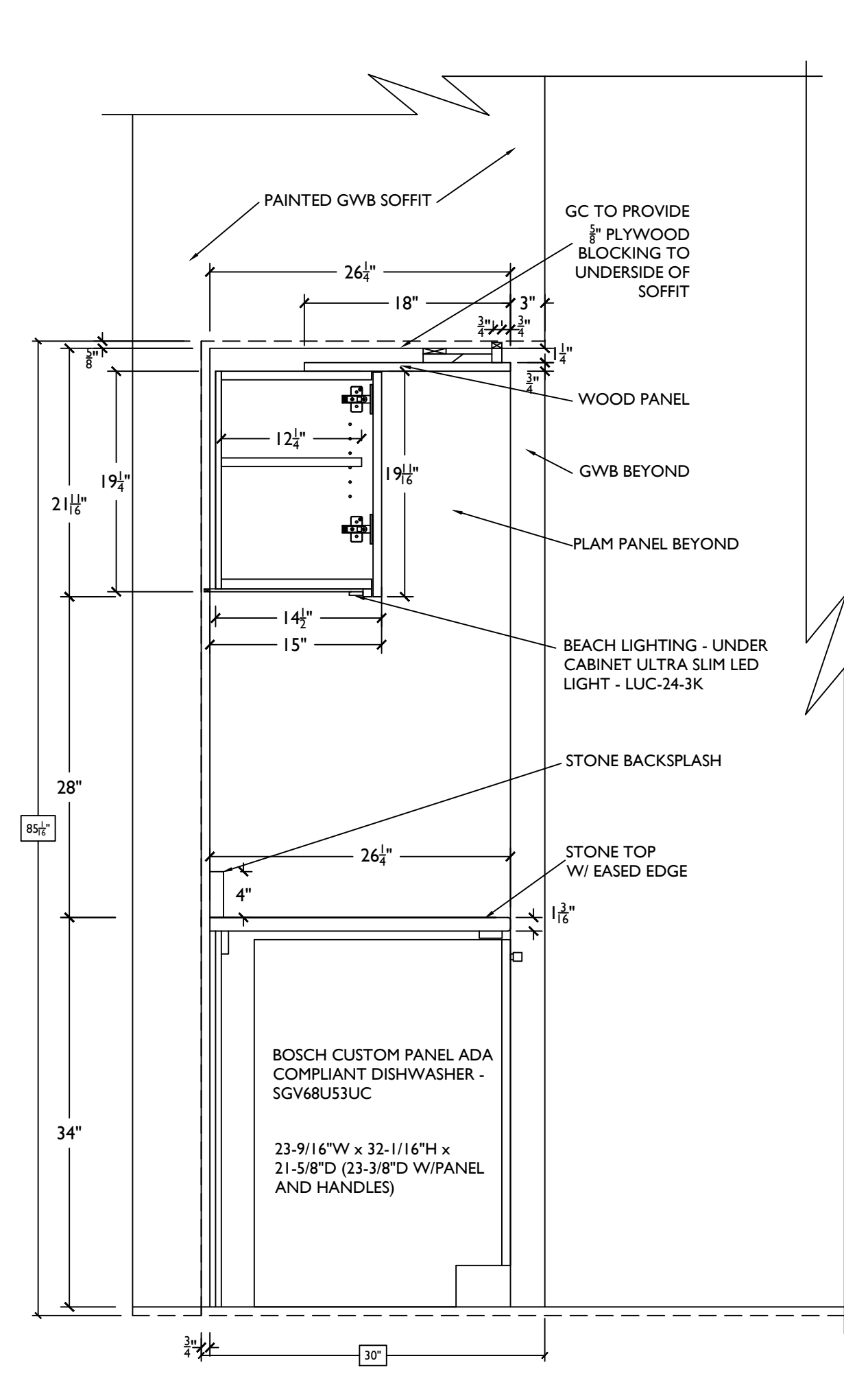
FREIGHT ELEVATOR PLAN
SCALE: NONE



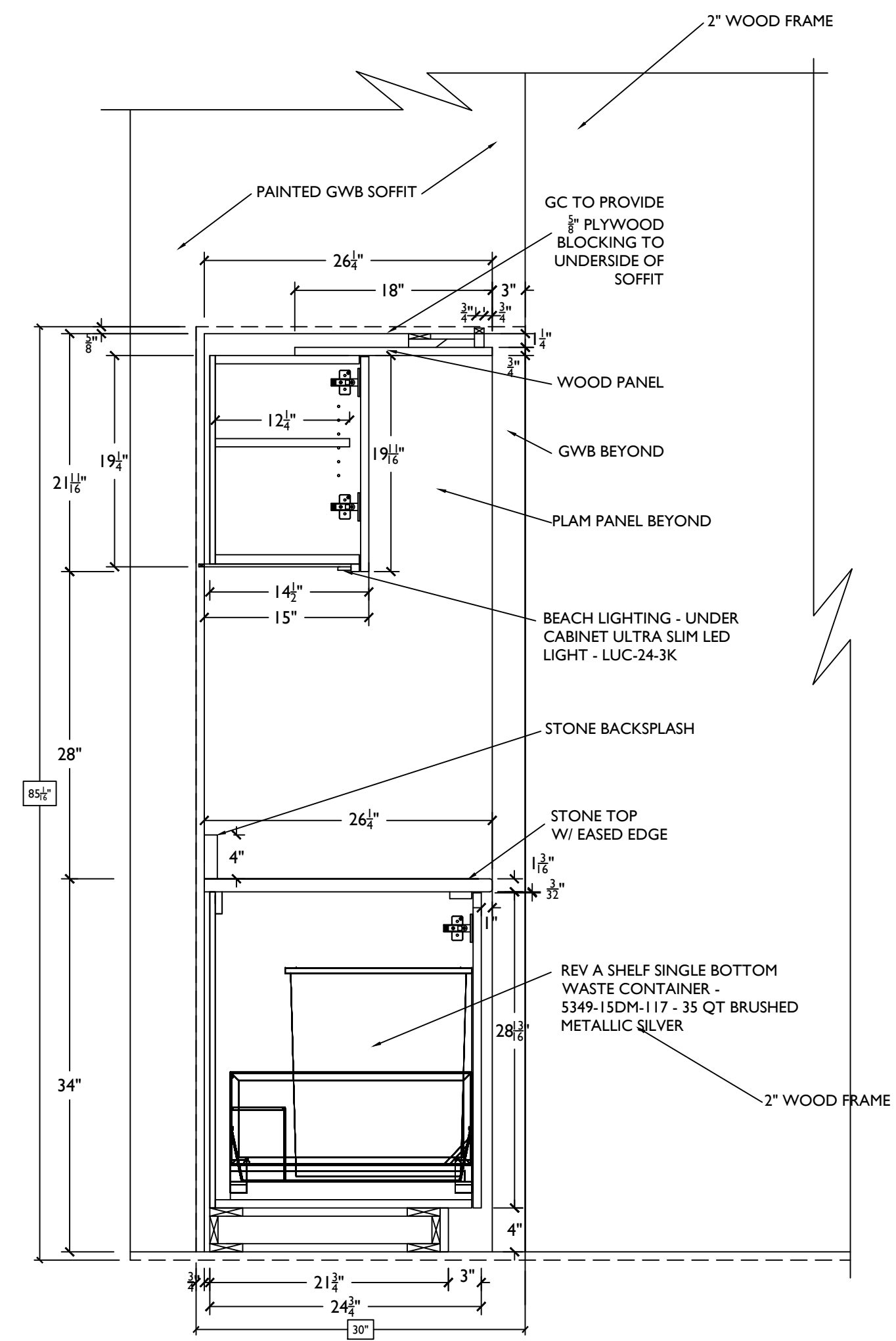
1
3 ELEVATION - PANTRY KITCHENETTE AREA
SCALE: 1"=1'-0"



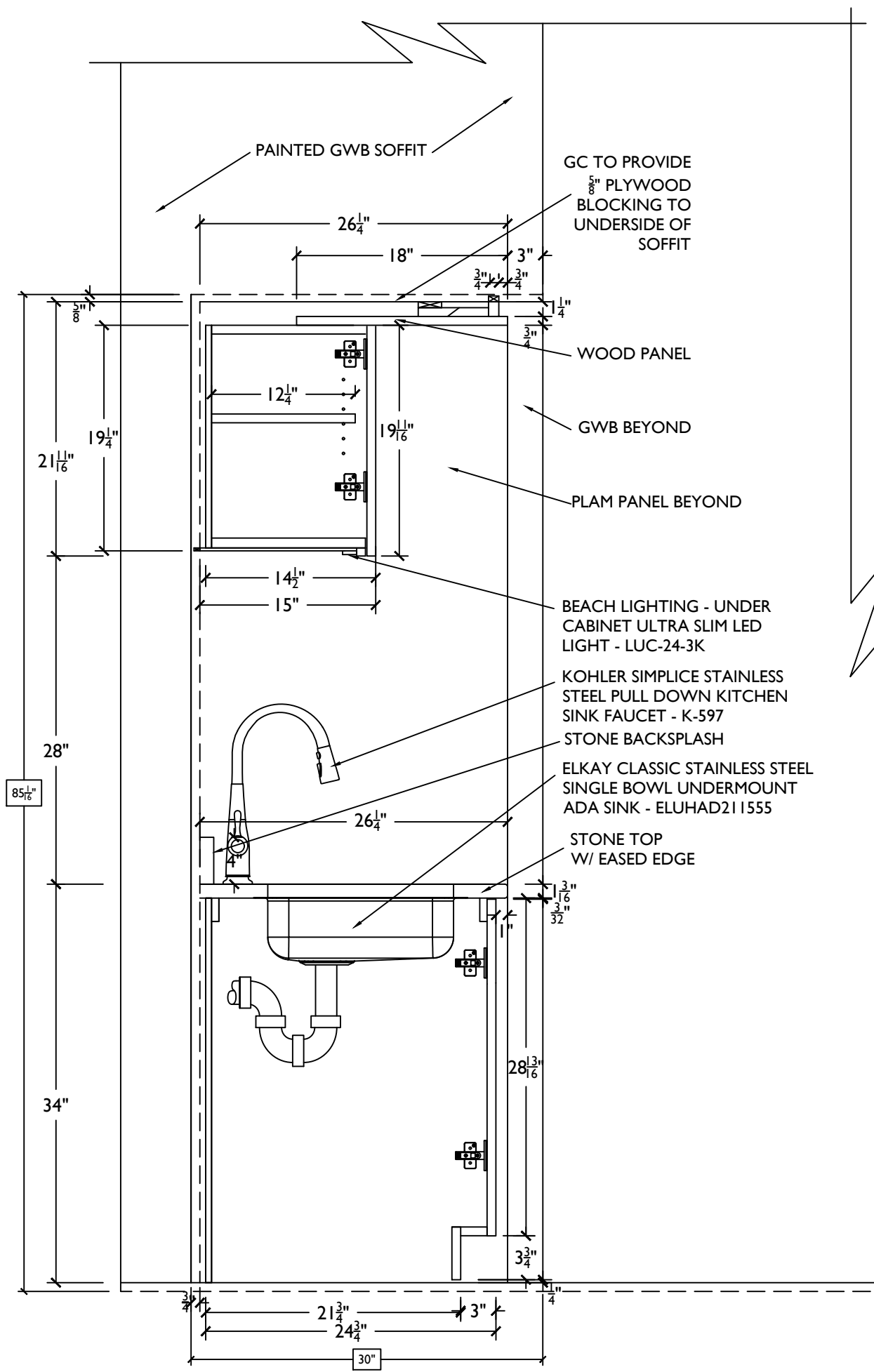
2
3 ELEVATION - PANTRY KITCHENETTE AREA
SCALE: 1"=1'-0"



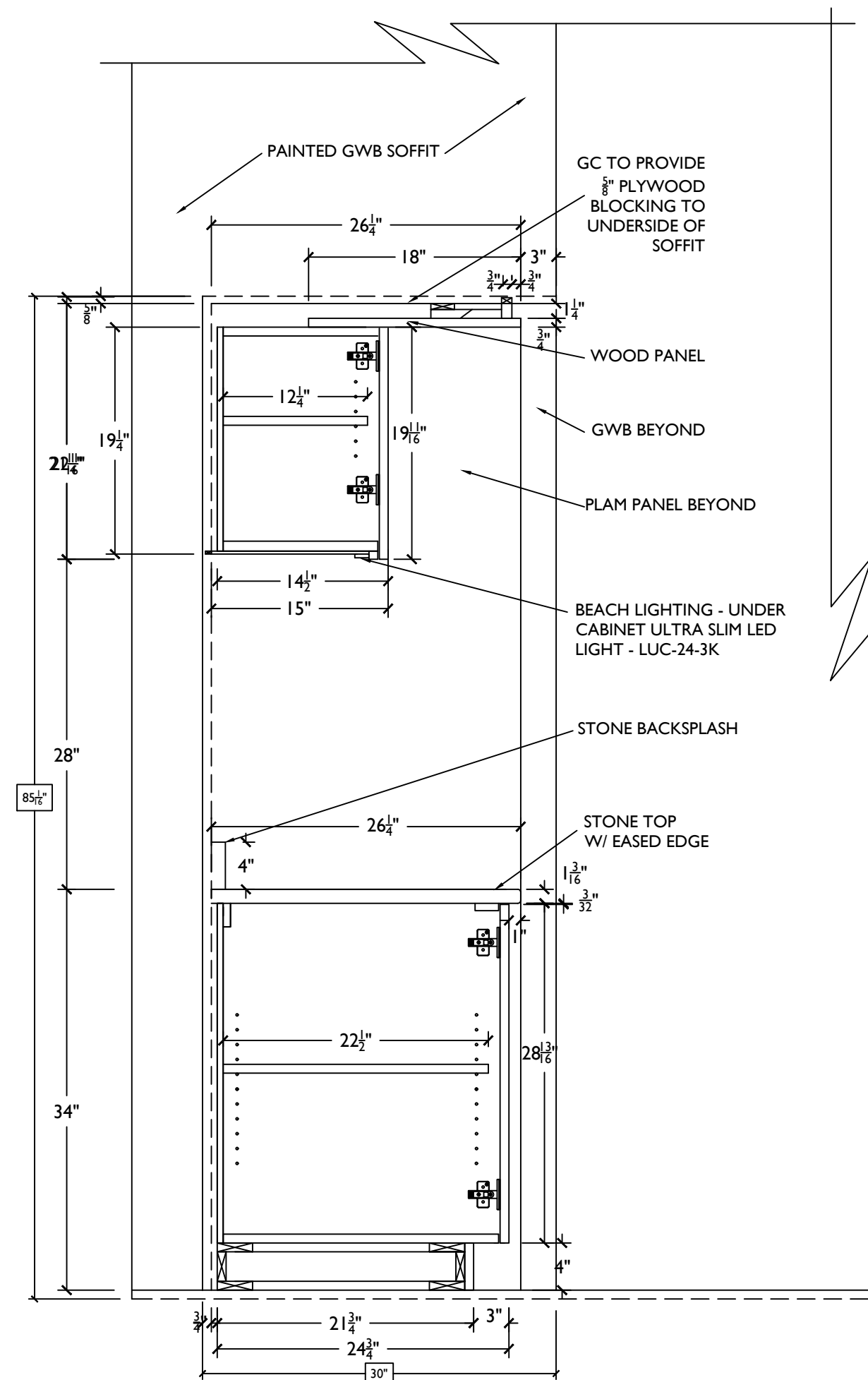
3
3 ELEVATION - PANTRY KITCHENETTE AREA
SCALE: 1"=1'-0"



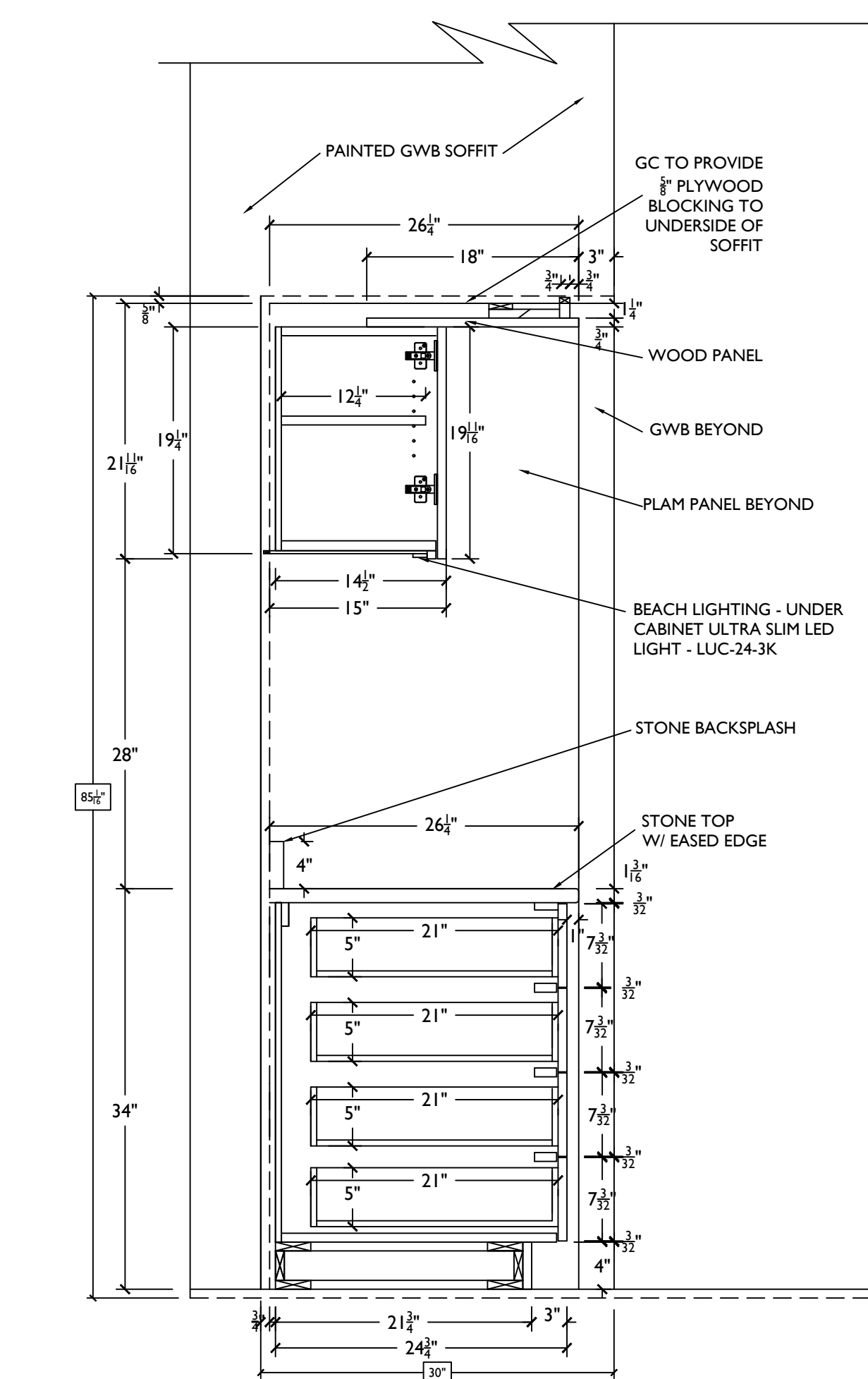
4
3 ELEVATION - PANTRY KITCHENETTE AREA
SCALE: 1"=1'-0"



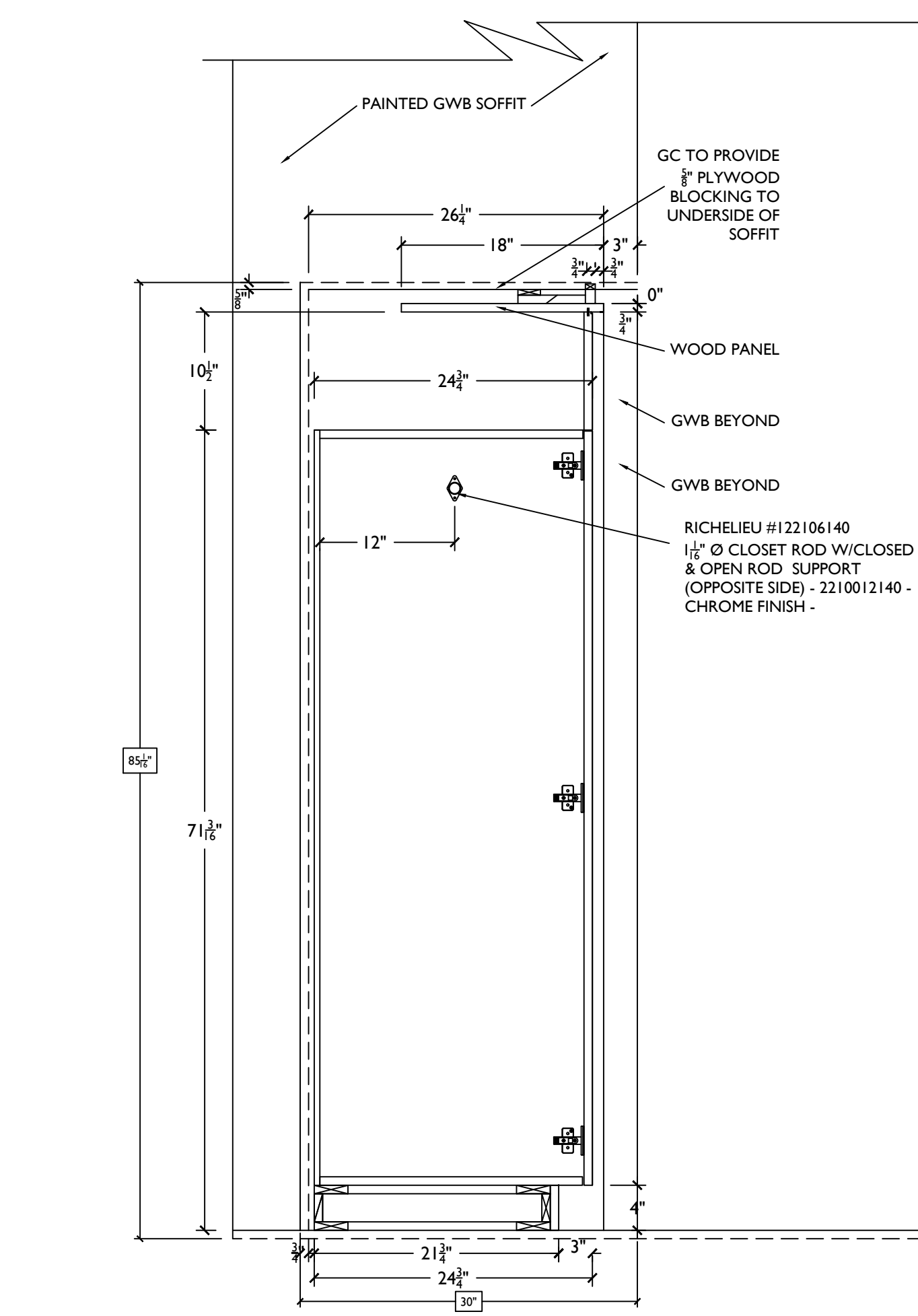
5
3 ELEVATION - PANTRY KITCHENETTE AREA
SCALE: 1"=1'-0"



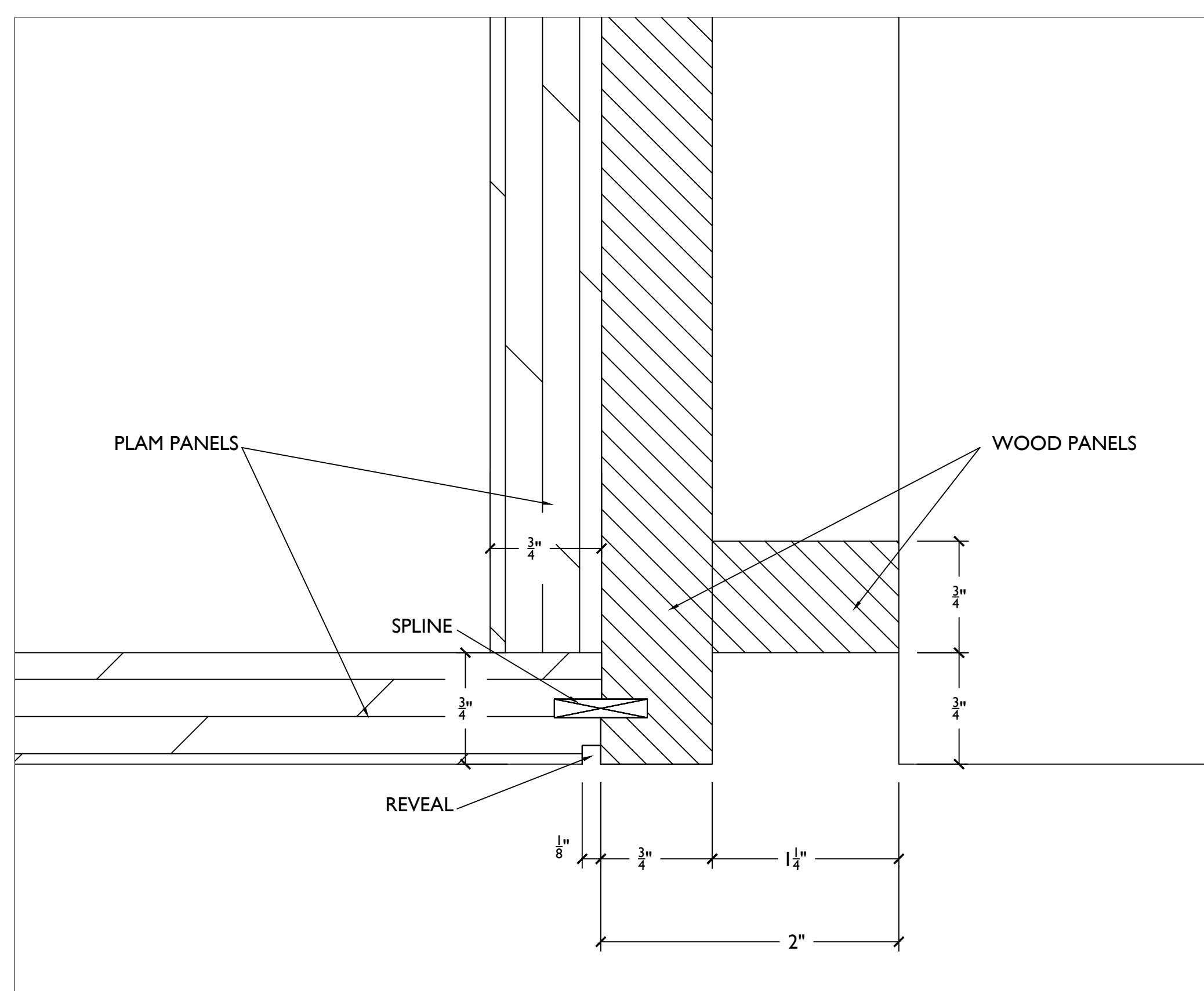
6
3 ELEVATION - PANTRY KITCHENETTE AREA
SCALE: 1"=1'-0"



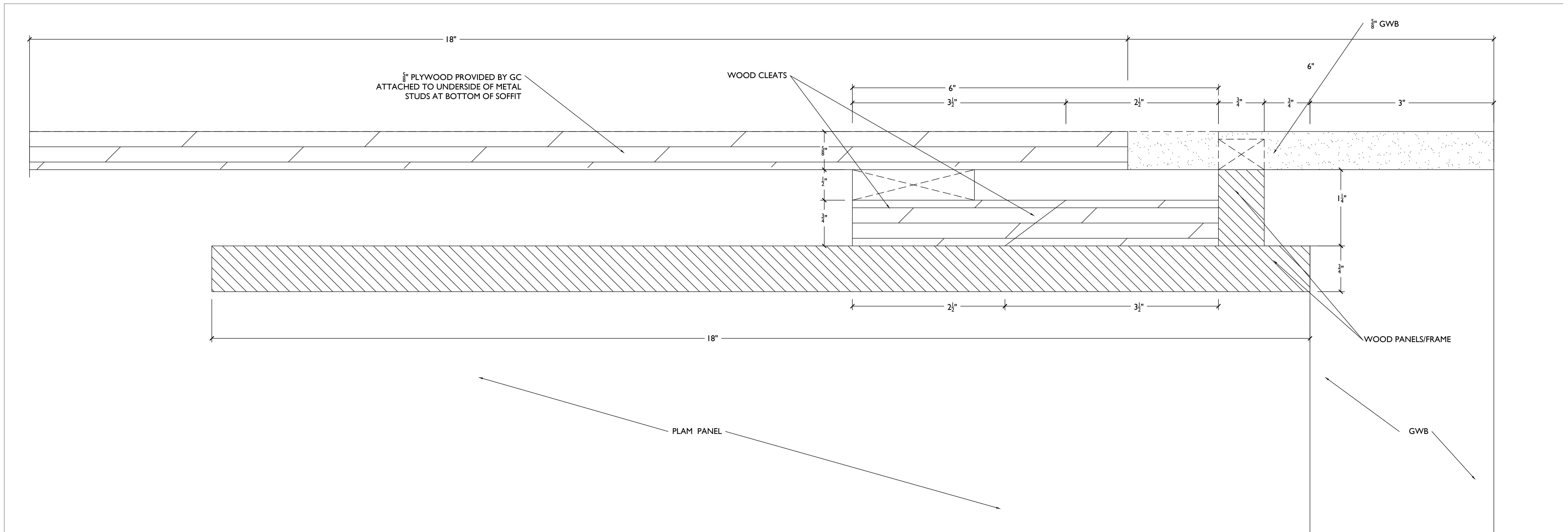
7
3 ELEVATION - PANTRY KITCHENETTE AREA
SCALE: 1"=1'-0"



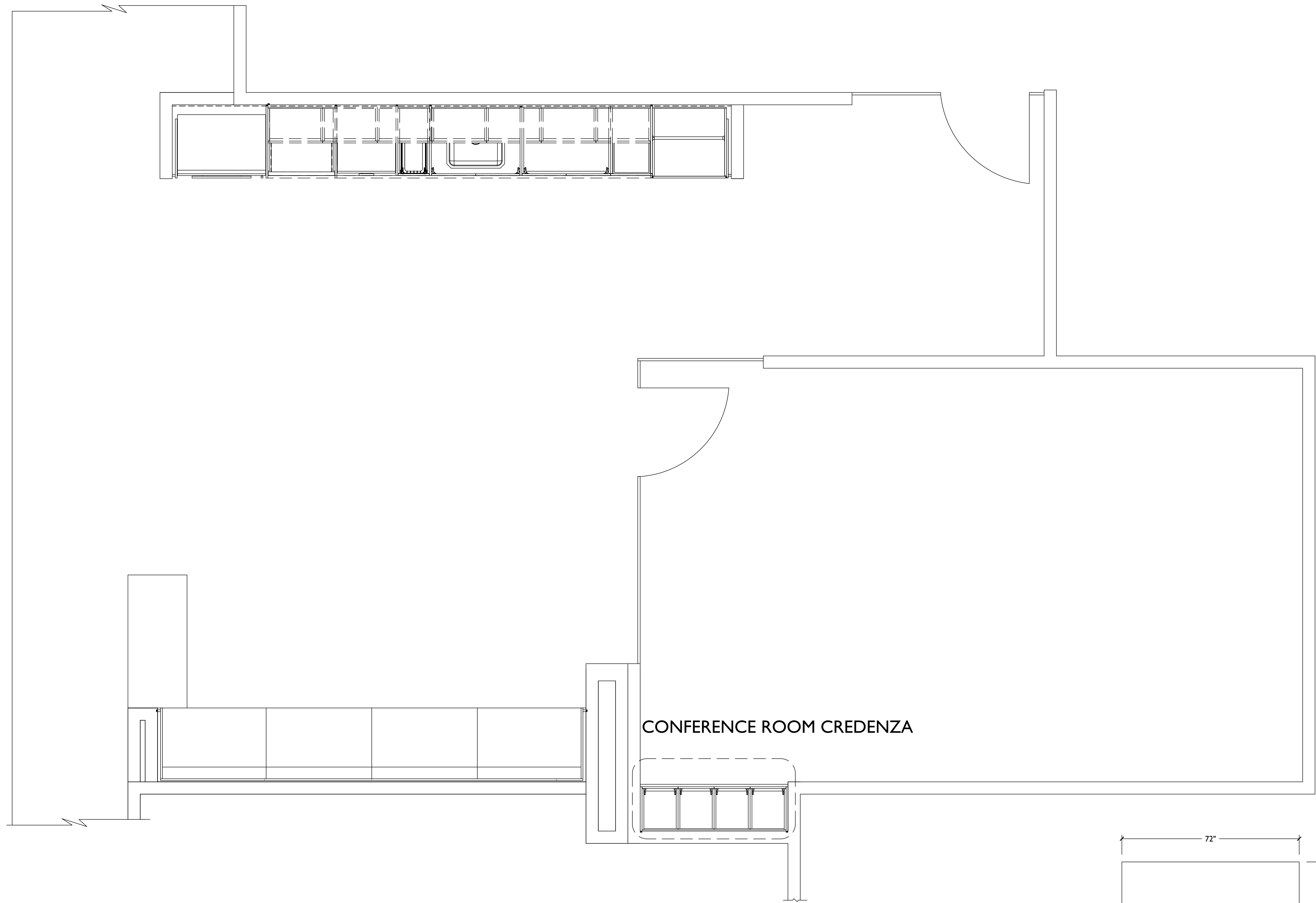
8
3 ELEVATION - PANTRY KITCHENETTE AREA
SCALE: 1"=1'-0"



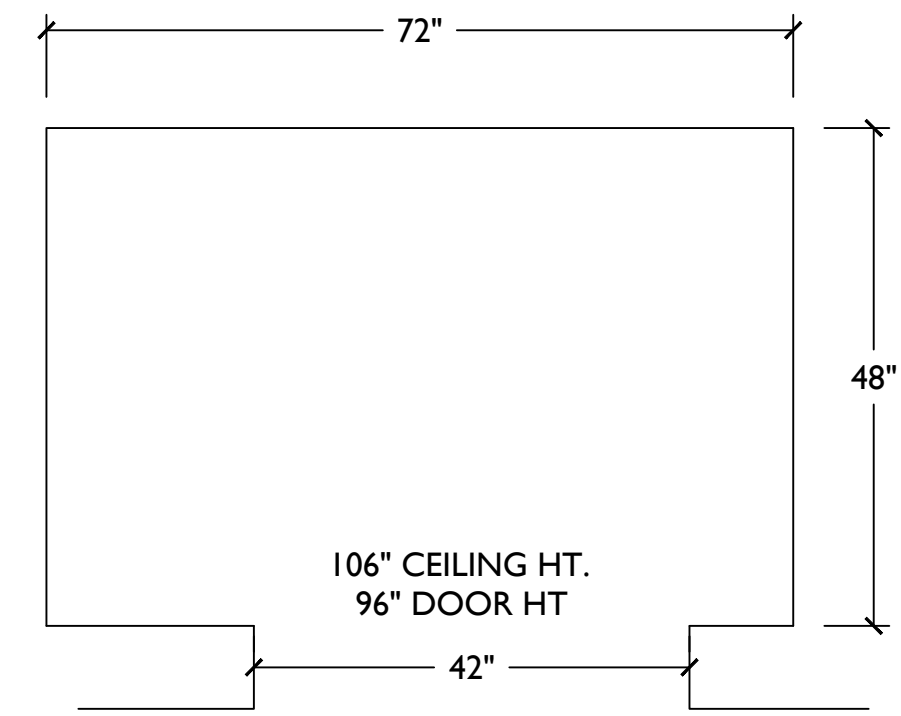
D1 WOOD FRAME/PANEL DETAIL
4 SCALE: FULL SIZE



D2 DETAIL AT UNDERSIDE OF SOFFIT
4 SCALE: FULL SIZE



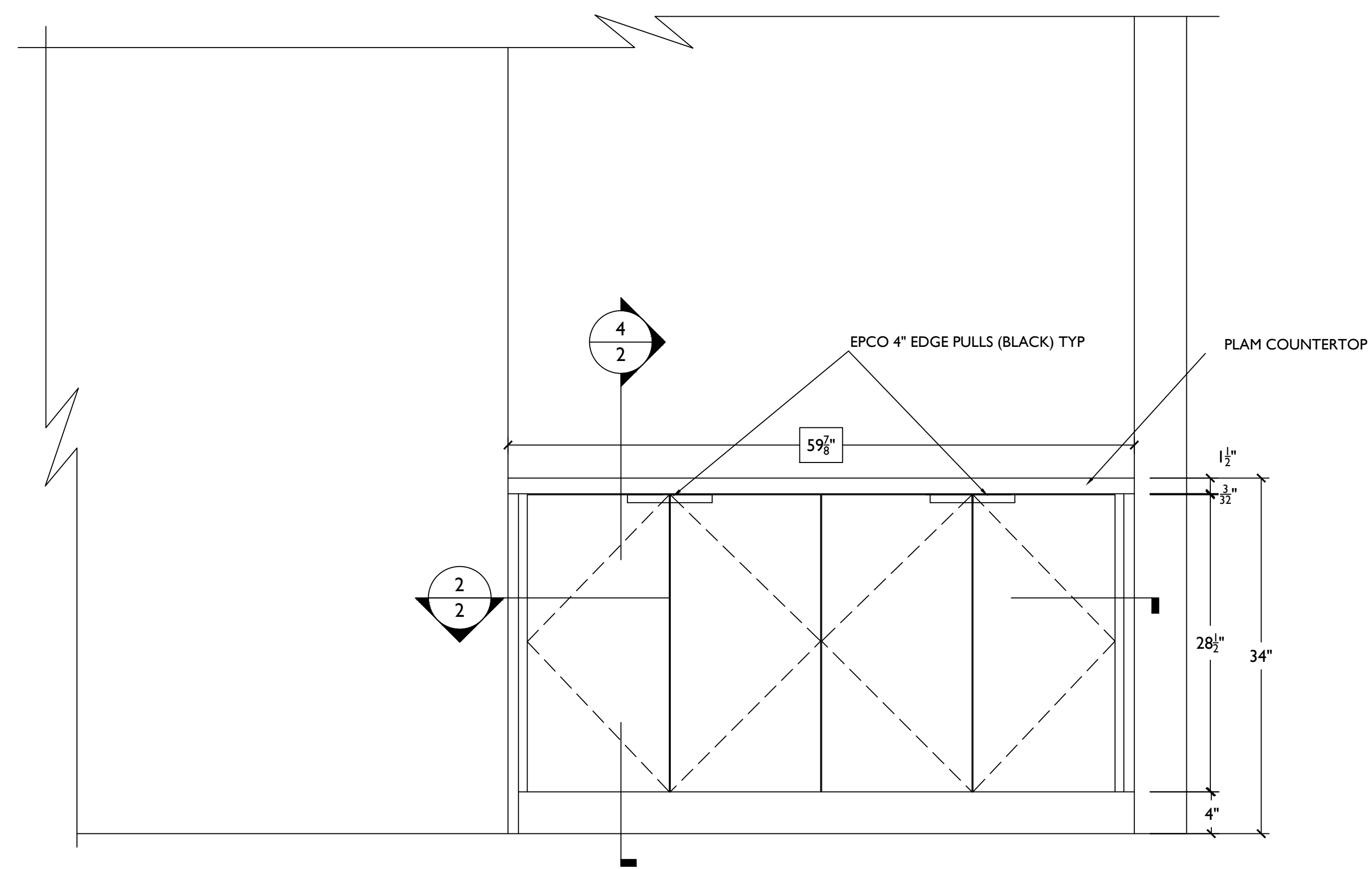
CONFERENCE ROOM CREDENZA



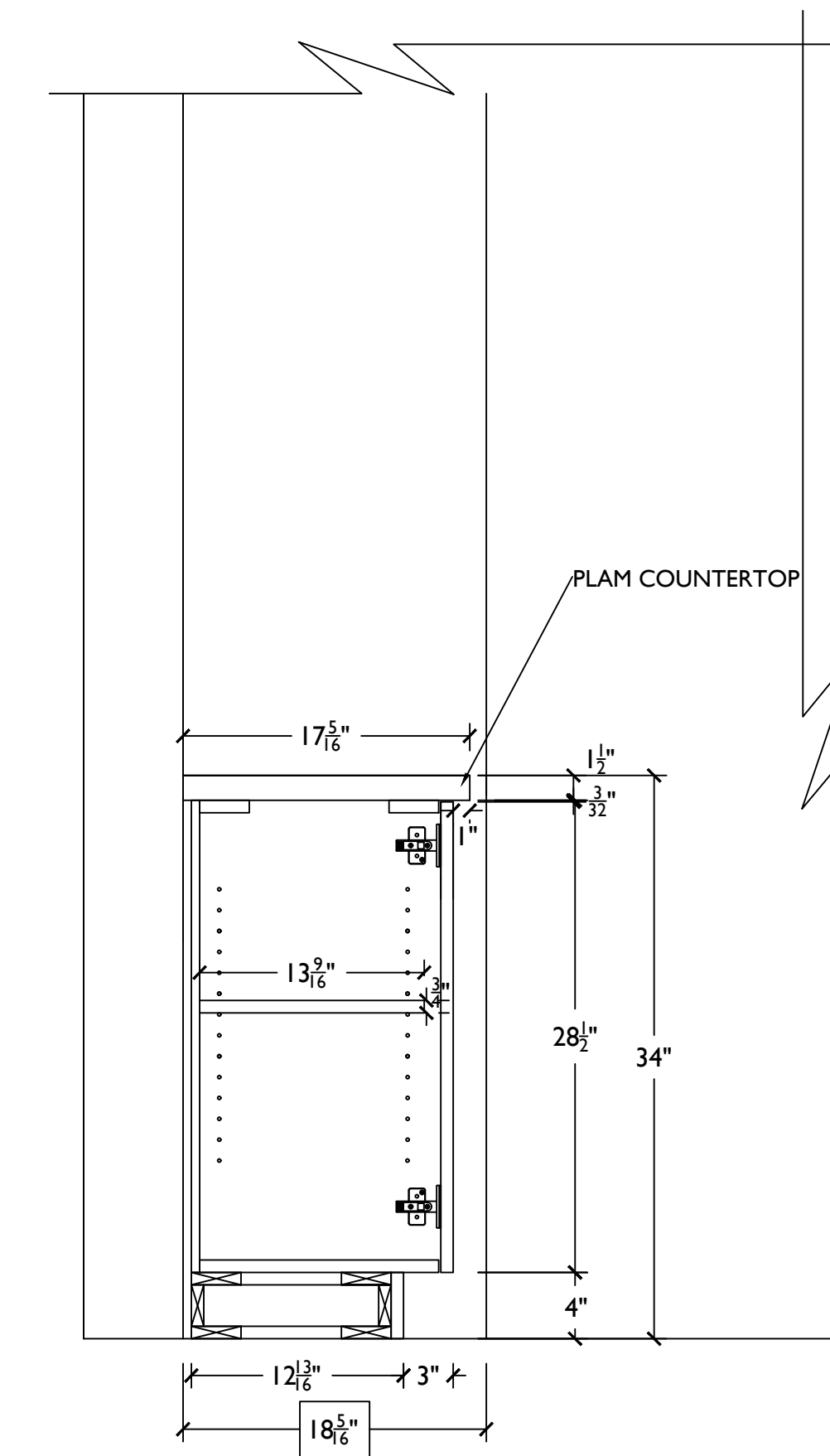
FREIGHT ELEVATOR

EXISTING CONDITIONS
SCALE: NONE

FREIGHT ELEVATOR PLAN
SCALE: NONE



1
2 ELEVATION - CONFERENCE ROOM CREDENZA
SCALE: 1"=1'-0"

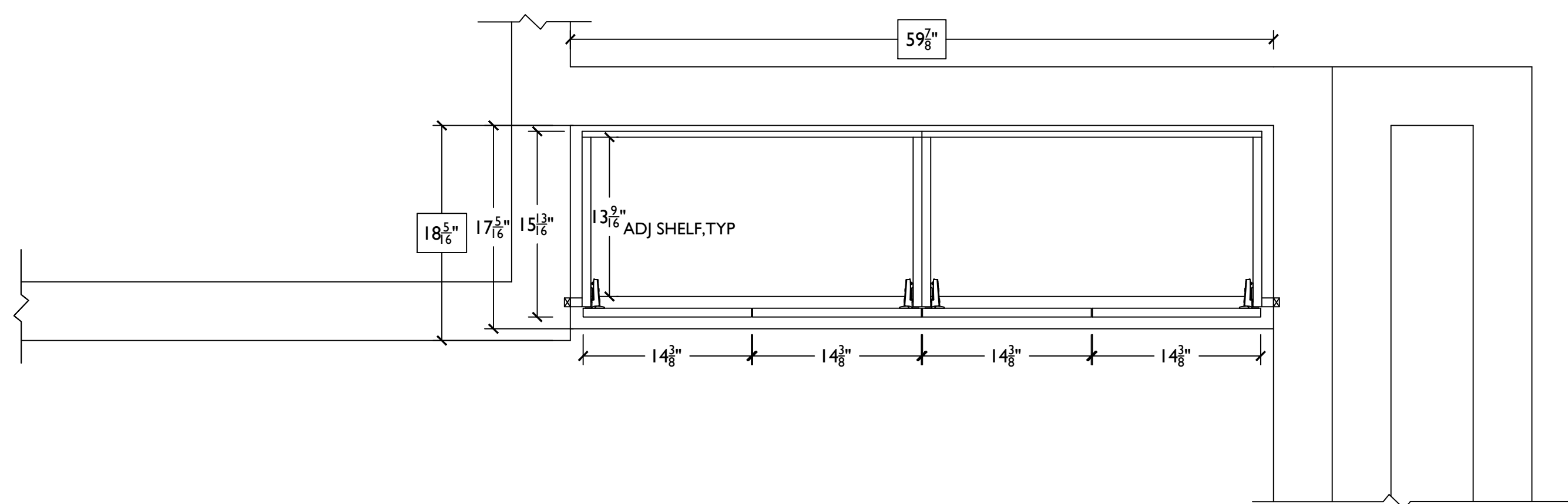


3
2 SECTION - CONFERENCE ROOM CREDENZA
SCALE: 1"=1'-0"

FINISHES :
EXTERIOR : ARBORITE PLASTIC LAMINATE - CHARCOAL - S-434 CA (MATTE FINISH) - INTERIOR : WHITE MELAMINE
COUNTERTOP:
ARBORITE PLASTIC LAMINATE - CHARCOAL - S-434 CA (MATTE FINISH)

LEGEND

XX	FIELD VERIFIED DIMENSIONS
R	ROUGH FRAMING
VIF	VERIFY IN FIELD



2
2 SECTION - CONFERENCE ROOM CREDENZA
SCALE: 1"=1'-0"