

UPadIV
XC Series

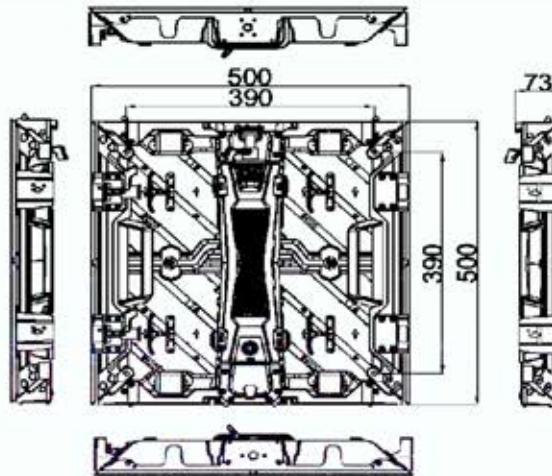
Take your displays in a whole new direction!

Our XC Series allows seamless 90 degree angles bringing new affordable design capabilities.



Fully integrated into our 2.6mm panels, this hi-resolution solution provides for creative design possibilities.

**UPadIV
XC Series**



Parameter	Value
Pixel Pitch	2.6mm
LED Type	3-in-1 Black SMD
Brightness	1,000 cd/m ² (nits) calibrated
Pixels Per Panel	192 x 192 pixels
Pixel Density	147,456 pixels/m ²
Weight Per Panel	6.3 kg (13.9 lbs)
Module Size	W250mm x H250mm / (9.8in x 9.8in)
Cabinet Size	W500mm x H500mm x D70.1mm / (19.7in x 19.7in x 2.8in)
Aspect Ratio	1:1
Material	Die-cast Magnesium
Ingress Protection	IP30
Curve	(Convex) -5°~+10°(Concave) (Optional)
Operating Temperature/Humidity	-10°~ +45° / 10~80%RH
Storage Temperature/Humidity	-20°~ +55° / 10~80%RH
Maintenance	Rear
Horizontal / Vertical Viewing Angle	140° / 120°
Color Temperature	2000-9300K Adjustable
Brightness Control	Manual/Automatic
Contrast Ratio	5000:1
Input Power (Max/Typical)	120W/40W per panel
Processing Depth	14 bit
Video Frame Rate	50/60 Hz
Refresh Rate	3840 Hz
Input Voltage	100~240VAC
Input Power Frequency	50~60 Hz
Input Signal	DVI/HDMI/VGA/SDI/DP/AV
Mounting Configurations	Hung, Stacked
Certification	TUV-CE/UL/CB/FC/C/IC/RoHs