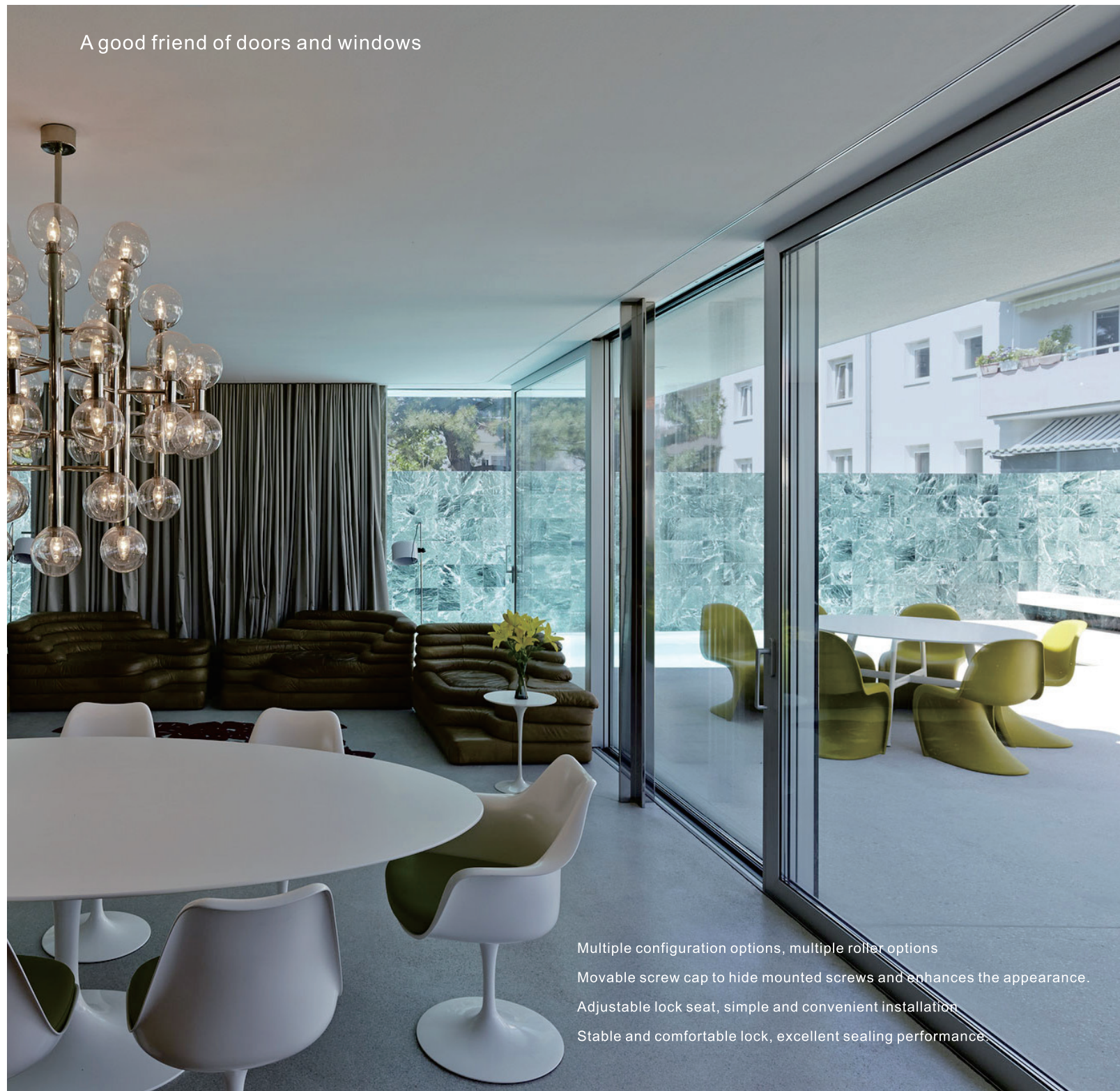


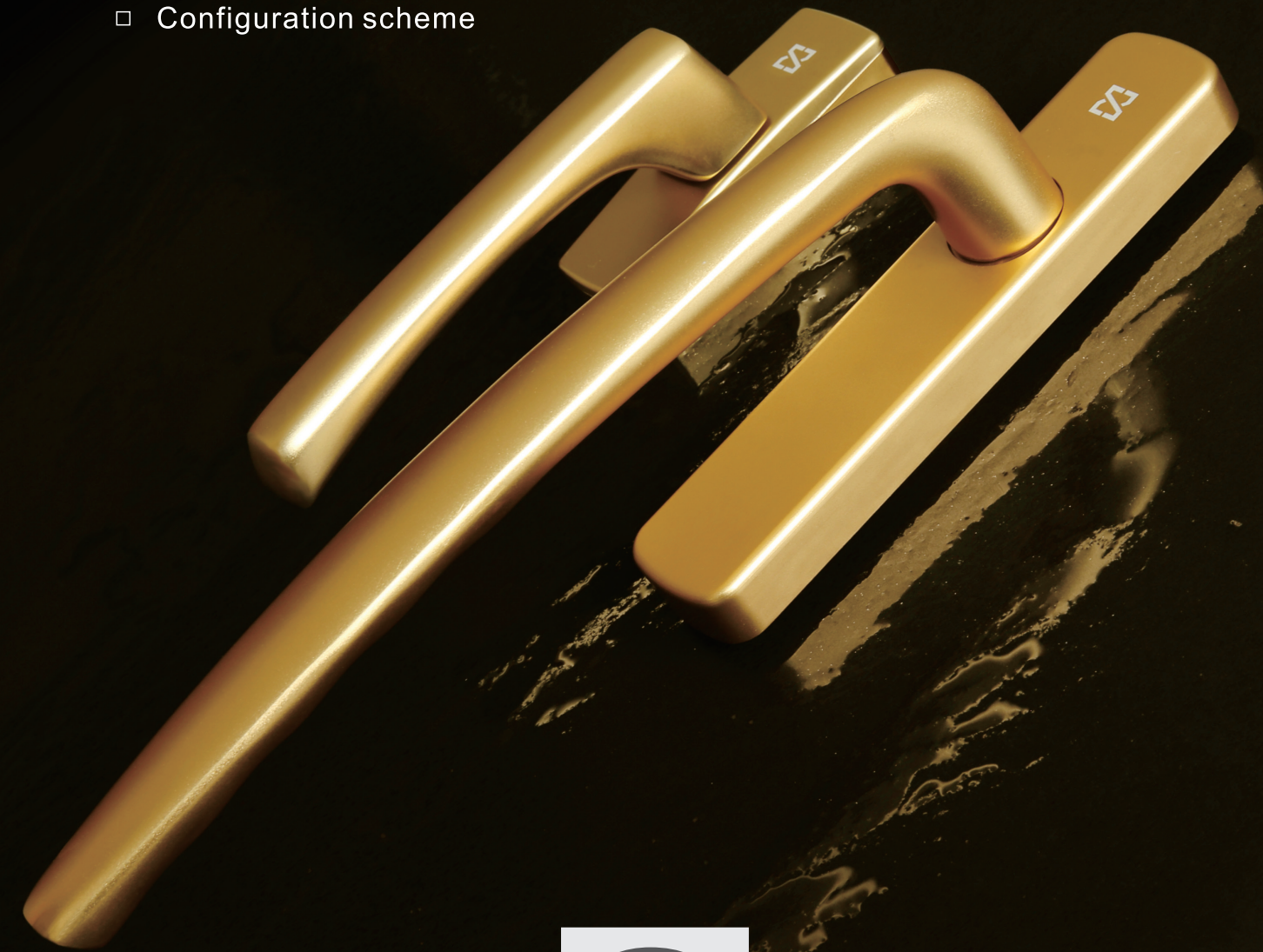
 SIGICO

A good friend of doors and windows



Multiple configuration options, multiple roller options
Movable screw cap to hide mounted screws and enhances the appearance.
Adjustable lock seat, simple and convenient installation
Stable and comfortable lock, excellent sealing performance.

- Handle
- Roller Carriages
- The Sliding Door Lock Seat
- Lock Bodies
- Other Accessories
- Configuration scheme



Sliding door hardware



HANDLE SELECTIONS



Name: Pull Handle 600
 Model: BH600.11.##
 Model description: BH600= Pull handle 600,
 10= One side, 11= Double sides, ##= Color
 Surface treatment: Oxidation
 Usage: Sliding door

- 010
Oxidized black
- 02
White
- 011
Oxidized Silver
- 012
Oxidized Gold
- 013
Champagne
- 014
Ashen

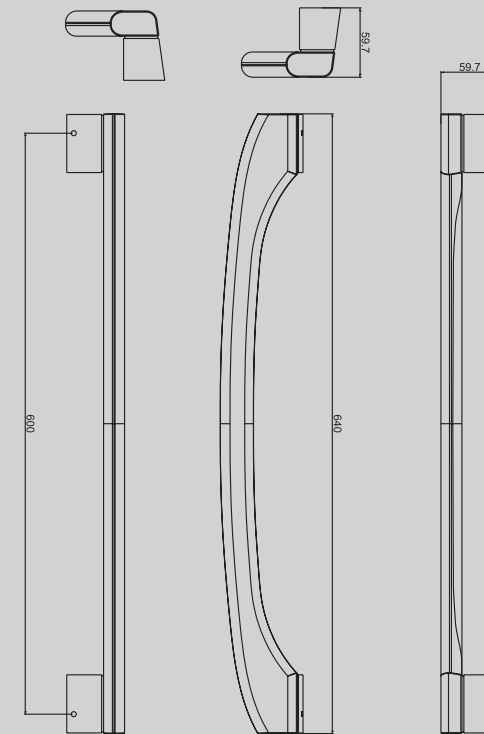


HANDLE SELECTIONS



Name: Pull Handle 380
 Model: BH380.11.##
 Model description: BH380= Pull handle 380,
 10= One side, 11= Double sides, ##= Color
 Surface treatment: Oxidation
 Usage: Sliding door

- 010
Oxidized black
- 02
White
- 011
Oxidized Silver
- 012
Oxidized Gold
- 013
Champagne
- 014
Ashen



Name: Pull Handle 640
 Model: BH640.11.##
 Model Description: BH640= 640 Pull Handle,
 10= One side, 11= Double sides, ##= Color
 Surface treatment: Oxidation
 Usage: Sliding door

- 010
Oxidized black
- 02
White
- 011
Oxidized Silver
- 012
Oxidized Gold
- 013
Champagne
- 014
Ashen



HANDLE SELECTIONS

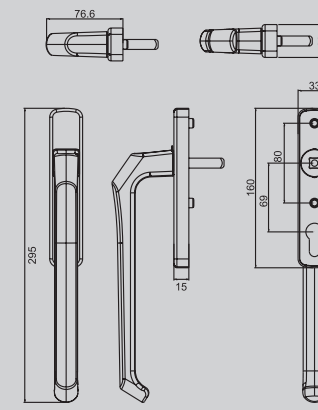
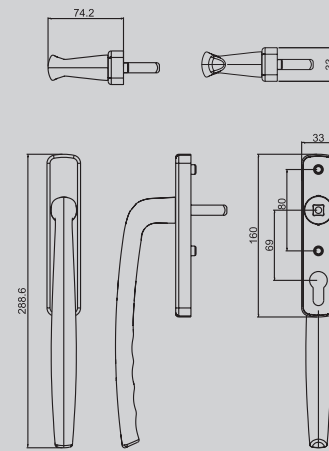


HANDLE SELECTIONS



Name: Ascending door handle
 Model: L1335.xx.##
 Model Description: L13 base style, 35 handle style, xx= Axis length (Axis length can be customized), ##= Color (Optional)
 Surface treatment: Oxidation
 Usage: Lifting sliding door

- 010 Oxidized black
- 02 White
- 011 Oxidized Silver
- 012 Oxidized Gold
- 013 Champagne
- 014 Ashen



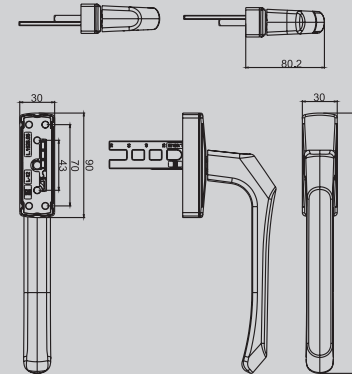
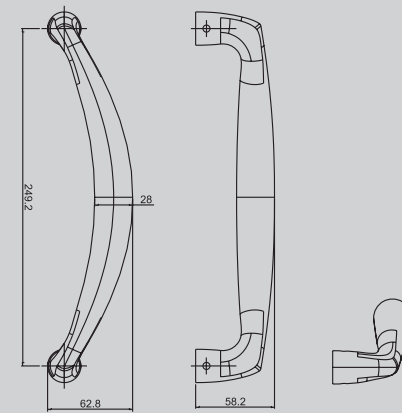
Name: Ascending door handle
 Model: L1330.xx.##
 Model Description: L13base style, 31handle style, xx= Axis length (Axis length can be customized), ## = Color (Optional)
 Surface treatment: Oxidation
 Usage: Lifting sliding door

- 010 Oxidized black
- 02 White
- 011 Oxidized Silver
- 012 Oxidized Gold
- 013 Champagne
- 014 Ashen



Name: Sliding door Pull Handle
 Model: BH150.11.##
 Model Description: BH150 Pull Handle, 10= One side, 11= Double sides, ##= Color (Optional)
 Surface treatment: Oxidation
 Usage: Sliding door

- 010 Oxidized black
- 02 White
- 011 Oxidized Silver
- 012 Oxidized Gold
- 013 Champagne
- 014 Ashen



Name: Sliding door handle
 Model: L1230.xx.##
 Model Description: L12 base style (This model is suitable for fork type base); 30 handle style, xx= Axis length (Axis length can be customized), ##= Color (Optional)
 Surface treatment: Oxidation
 Usage: Casement window, Sliding window, Sliding door

- 010 Oxidized black
- 02 White
- 011 Oxidized Silver
- 012 Oxidized Gold
- 013 Champagne
- 014 Ashen



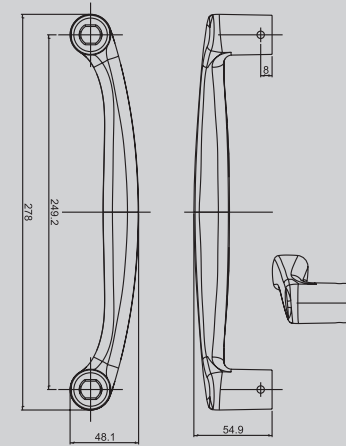
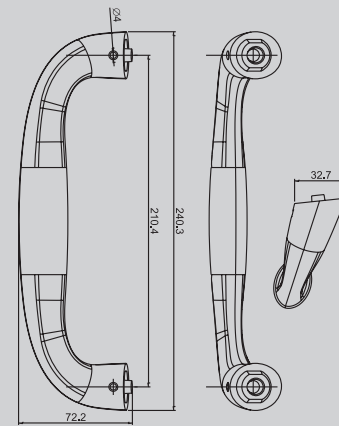
HANDLE SELECTIONS

HANDLE SELECTIONS



Name: Pull Handle 120
 Model: BH120.11.##
 Model Description: BH120= Pull handle 120, 10= One side, 11= Double sides, ##= Color
 Surface treatment: Spraying
 Usage: Sliding door

- 033
Bright
chrome
plated
- 097
Gold
plated
- 013
Metal
Champagne
- 014
Ashen



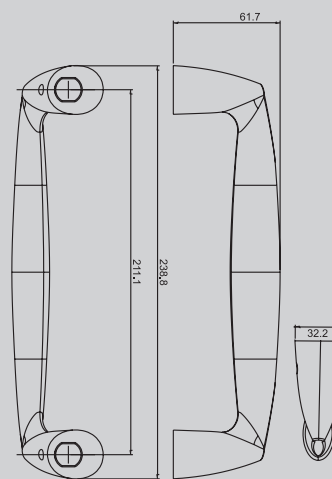
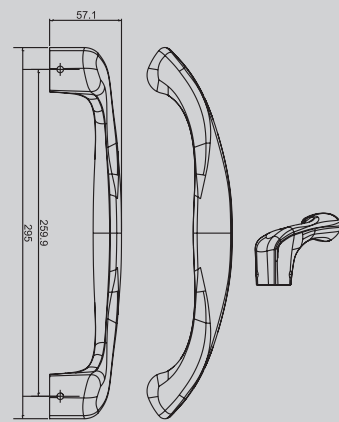
Name: Pull Handle 140
 Model: BH140.11.##
 Model Description: BH140= Pull handle 140, 10= One side, 11= Double sides, ##= Color
 Surface treatment: Spraying
 Usage: Sliding door

- 033
Bright
chrome
plated
- 097
Gold
plated
- 013
Metal
Champagne
- 014
Ashen



Name: Pull Handle 160
 Model: BH160.11.##
 Model Description: BH160= Pull handle 160, 10= One side, 11= Double sides, ##= Color
 Surface treatment: Spraying
 Usage: Sliding door

- 033
Bright
chrome
plated
- 097
Gold
plated
- 013
Metal
Champagne
- 014
Ashen



Name: Pull Handle 130
 Model: BH130.11.##
 Model Description: BH130= Pull handle 130, 10= One side, 11= Double sides, ##= Color
 Surface treatment: Spraying
 Usage: Sliding door

- 033
Bright
chrome
plated
- 097
Gold
plated
- 013
Metal
Champagne
- 014
Ashen



ROLLER CARRIAGES



Surface treatment : Spraying
Usage : Sliding door



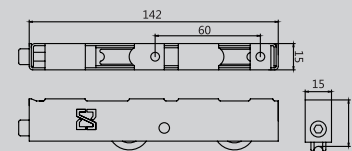
THE SLIDING DOOR LOCK SEAT



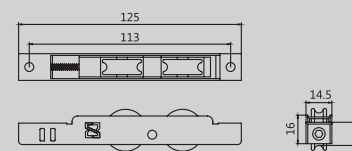
Surface treatment : None
Usage : Sliding door



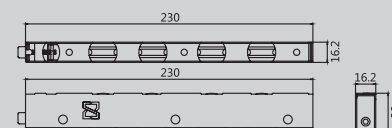
Name: Sliding door roller
Model: YQ-010
Model Description: SUS304, bearing weight 150Kg, height (adjustable) 26.5-33.5



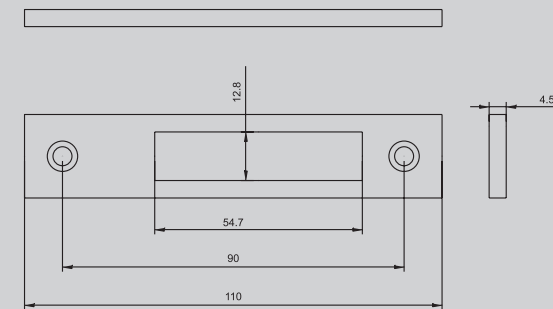
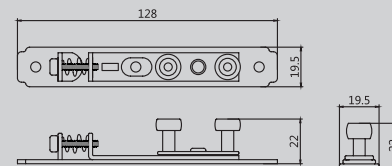
Name: Sliding door roller
Model: YQ-006
Model Description: SUS304, bearing weight 120Kg, height (adjustable) 13-17



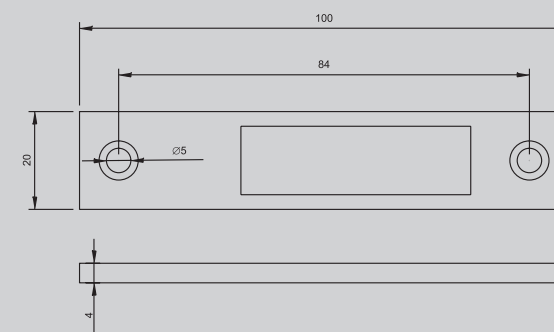
Name: Sliding door roller
Model: YQ-012
Model Description: SUS304, bearing weight 300Kg, height (adjustable) 30-37



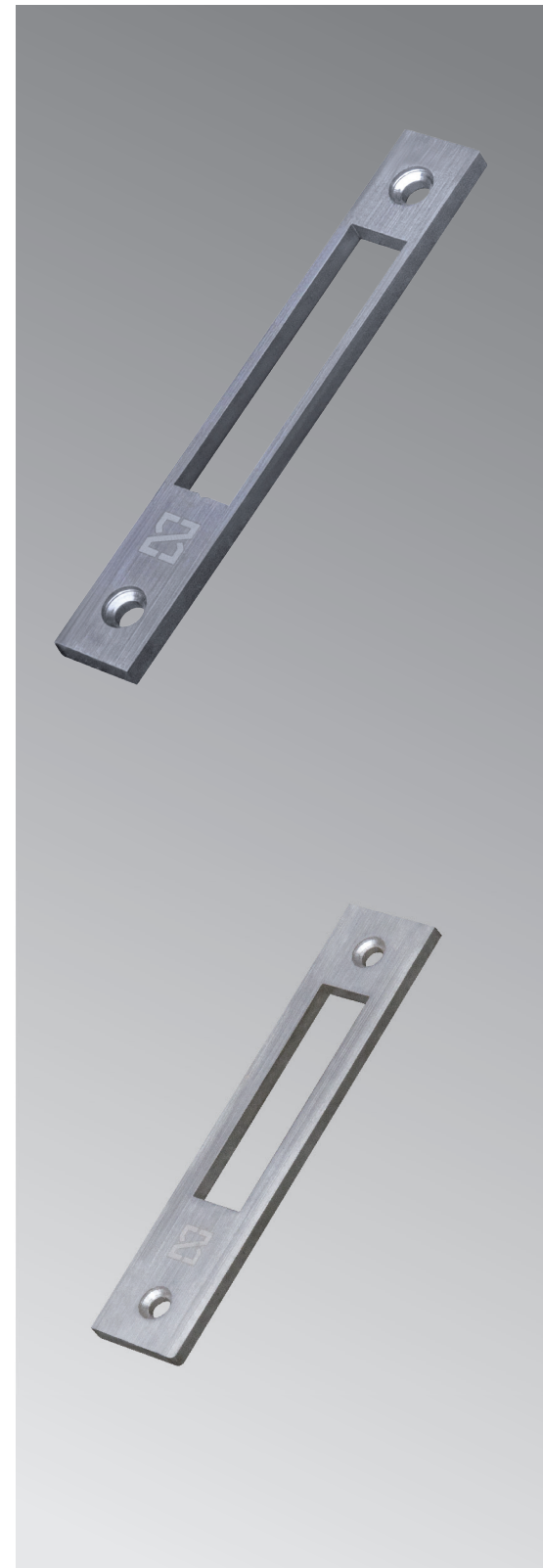
Name: Anti-swing roller
Model: YQ-093



Name: Sliding door Lock seat
Model: SLP16.098
Model Description: SLP= Casement door Lock seat, 16= Model No.16, 098 = Stainless steel color



Name: Sliding door Lock seat
Model: SLP08.098
Model Description: SLP= Casement door Lock seat, 08= Model No.08, 098= Stainless steel color





THE SLIDING DOOR LOCK SEAT



Surface treatment : Spraying
Usage : Sliding door



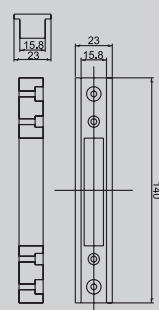
THE SLIDING DOOR LOCK SEAT



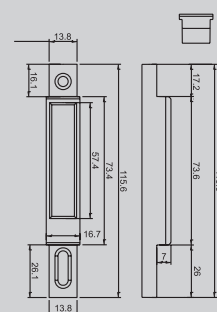
Surface treatment : Spraying
Usage : Sliding door



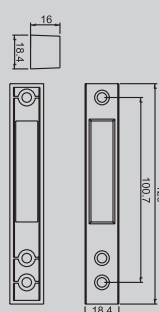
Name: Sliding door Lock seat
Model: SLP14.01
Model Description: SLP= Sliding door Lock seat, 14= Model No.14, 01= Black



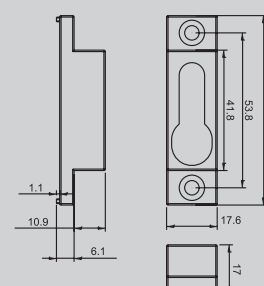
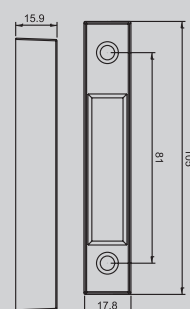
Name: Sliding door Lock seat
Model: SLP06.01
Model Description: SLP= Sliding door Lock seat, 06= Model No.06, 01= Black



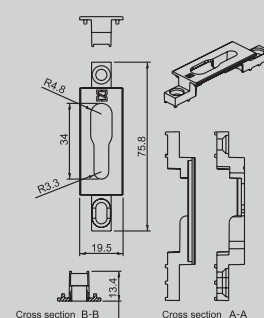
Name: Casement window Lock seat
Model: SLP09.##
Model Description: SLP= Casement window Lock seat, 09 Model No.09, ##= Color



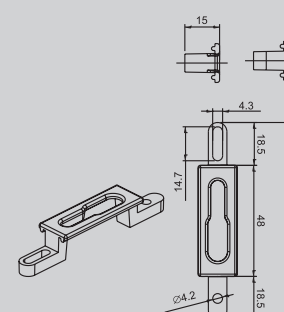
Name: Casement window Lock seat
Model: SLP03.##
Model Description: SLP= Casement window Lock seat, 03 Model No.03, ##= Color



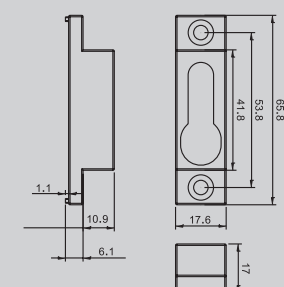
Name: 120 Lock seat
Model: SLP11.01
Model Description: SLP= Sliding door Lock seat, 11= Model No.11, 01= Black



Name: Sliding door Lock seat
Model: SLP12.01
Model Description: SLP= Sliding door Lock seat, 12= Model No.12, 01= Black



Name: 80 Lock seat
Model: SLP07.01
Model Description: SLP= Sliding door Lock seat, 07= Model No.07, 01= Black



Name: Sliding door Lock seat
Model: SLP11.##
Model Description: SLP= Sliding door Lock seat, 11= Model No.11, ##= Color





OTHER ACCESSORIES



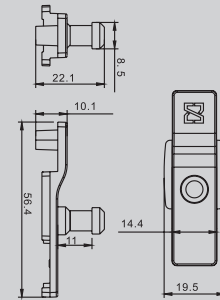
Surface treatment : Spraying
Usage : Sliding door ,Sliding window



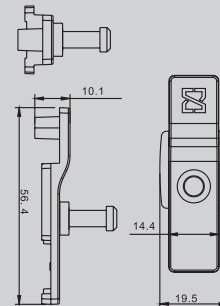
OTHER ACCESSORIES



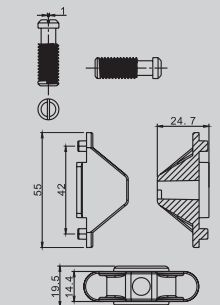
Name: 120 Lock point
Model: SLR01.0716.01
Model Description: SLR= Sliding door Lock point, 01= Model No.01, 08 diameter, 16 lock height, 01= Black



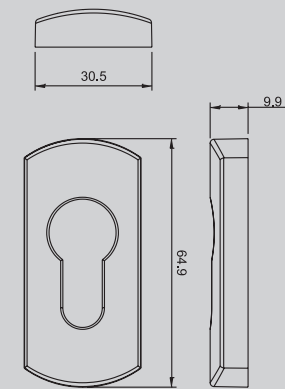
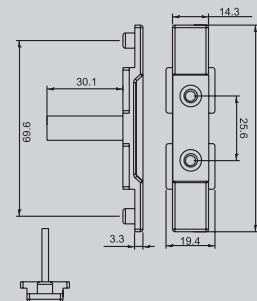
Name: 80 Lock point
Model: SLR02.0716.01
Model Description: SLR= Sliding door Lock point, 02= Model No.02, 07 diameter, 16 lock height, 01= Black



Name: Sliding door Lock point
Model: SLR04.01
Model Description: SLR= Sliding door Lock seat, 04= Model No.04, 01= Black

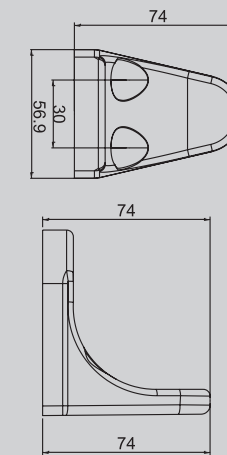


Name: T shape part
Model: TSCO01.30.01
Model Description: TSCO= Sliding door Lock point, 01= Model No.01, 30 length, 01= Black



Name: Cylinder cover
Model: CV01.##
Model Description: CV= Cylinder cover, 01 Model No.01, ## = Color
Surface treatment: Spraying
Usage: Sliding door

- 033 Bright chrome plated
- 097 Gold plated
- 013 Metal
- 014 Champagne
- 014 Ashen



Name: Anti-collision foot pad
Model: BB01.##
Model Description: BB= Anti-collision foot pad, 01= Model No.01. ##= Color
Surface treatment: Oxidation
Usage: Sliding door

- 010 Oxidized black
- 02 White
- 011 Oxidized Silver
- 012 Oxidized Gold
- 013 Champagne
- 014 Ashen





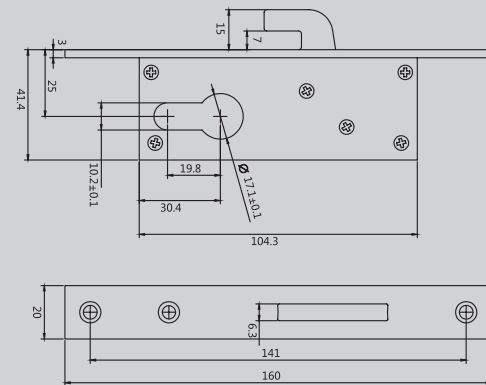
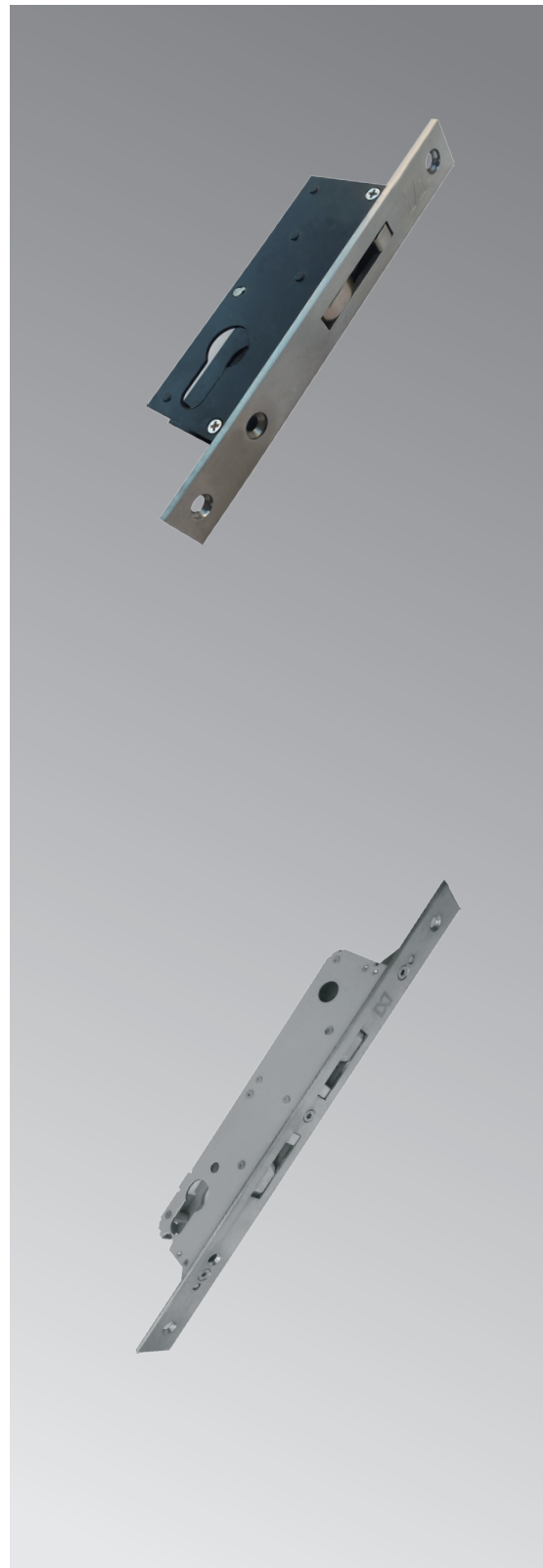
LOCK BODIES



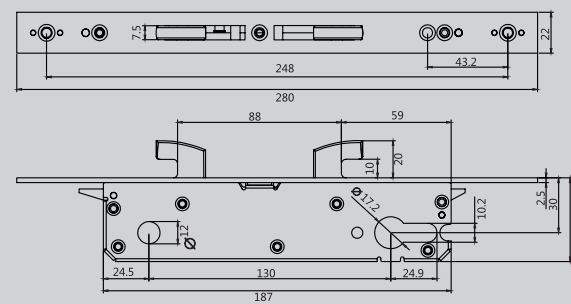
Surface treatment : Spraying
Usage : Sliding door



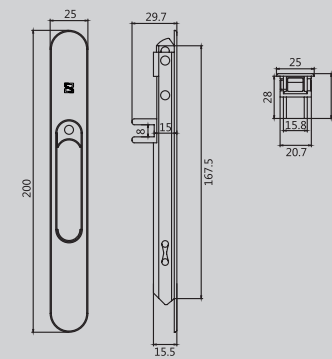
LOCK BODIES



Name: Single hook Lock body
Model: SDL222-80

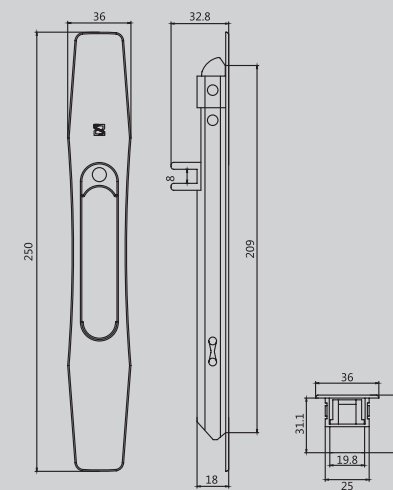


Name: Double hook Lock Body
Model: SDL322-120



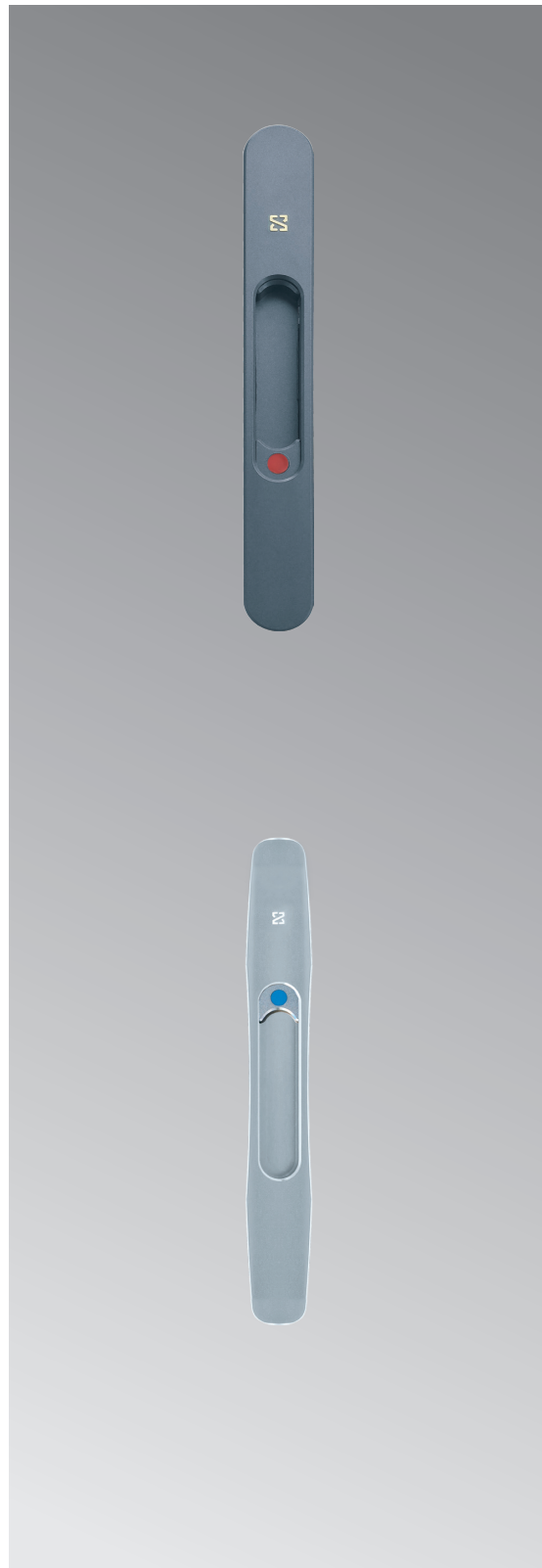
Name: I shape lock
Model: SHL328.##
Surface treatment : Oxidation, Fluorocarbon spraying
Usage: Sliding door, sliding window

010	02	011	012	013	014
Oxidized black	White	Oxidized Silver	Oxidized Gold	Champagne	Ashen



Name: I shape lock
Model: SHL535.##
Surface treatment : Oxidation, Fluorocarbon spraying
Usage: Sliding door, sliding window

010	02	011	012	013	014
Oxidized black	White	Oxidized Silver	Oxidized Gold	Champagne	Ashen



SIGICO

A good friend of doors and windows



- Handle
- Lock Bodies
- Friction Hinges
- Roller Carriages
- Other Accessories
- Configuration scheme



Folding door hardware



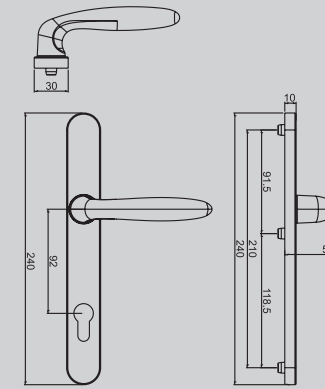
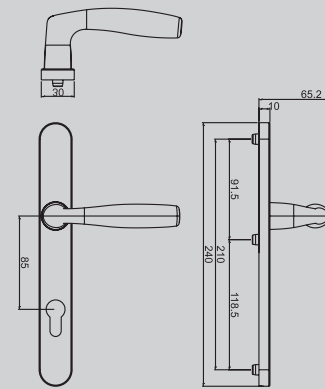
 HANDLE SELECTIONS

 HANDLE SELECTIONS



Name : Steel Door handle set
 Model : DH051.19.##
 Model Description : DH= Door handle set, 05 Base model No.05, 0= Fake side, 1= 85mm, 2= 92mm, 19= Handel model No.19, ##= Color
 Surface treatment : Plated
 Usage : Folding door, Casement door, Swing door

- 033
Bright
chrome
plated
- 097
Gold
plated
- 013
Metal
- 013
Champagne
- 014
Ashen



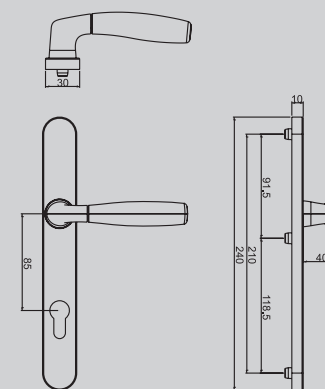
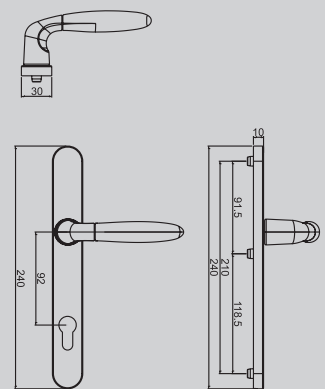
Name : Copper Door handle set
 Model : DHC051.20.##
 Model Description : DH= Door handle set, C= Copper, 05 Base model No.05, 0= Fake side, 1= 85mm, 2= 92mm, 20= Handel model No.20, ##= Color
 Surface treatment : Plated
 Usage : Folding door, Casement door, Swing door

- 033
Bright
chrome
plated
- 097
Gold
plated
- 013
Metal
- 013
Champagne
- 014
Ashen



Name : Steel Door handle set
 Model : DH051.20.##
 Model Description : DH= Door handle set, 05 Base model No.05, 0= Fake side, 1= 85mm, 2= 92mm, 20= Handel model No.20, ##= Color
 Surface treatment : Plated
 Usage : Folding door, Casement door, Swing door

- 033
Bright
chrome
plated
- 097
Gold
plated
- 013
Metal
- 013
Champagne
- 014
Ashen



Name : Door handle set
 Model : DH051.21.##
 Model Description : DH= Door handle set, 05 Base model No.05, 0= Fake side, 1= 85mm, 2= 92mm, 21= Handel model No.21, ##= Color
 Surface treatment : Plated
 Usage : Folding door, Casement door, Swing door

- 033
Bright
chrome
plated
- 097
Gold
plated
- 013
Metal
- 013
Champagne
- 014
Ashen

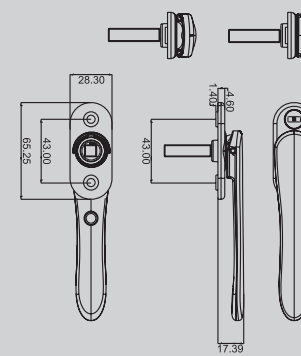
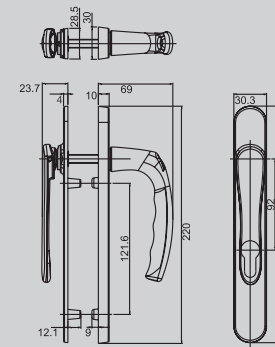


HANDLE SELECTIONS

HANDLE SELECTIONS



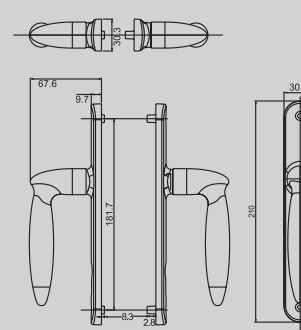
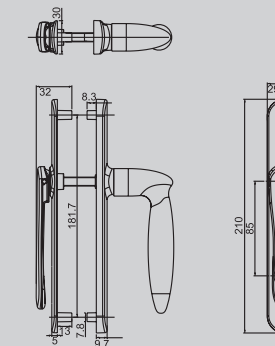
Name: Double layer door handle set
 Model: FDH032.15.##
 Model Description: DH03 Inner handle, 0= Fake side, 1= 85mm, 2= 92mm, 15 handle style, ##= Color
 Surface treatment: Oxidation, Fluorocarbon spraying
 Usage: Folding door, Casement door



Name: Sword-type handle
 Model: FH192.xx.##
 Model Description: FH192 Flat handle, xx= exposed tongue length (customized), ##= Color
 Surface treatment: Oxidation, Fluorocarbon spraying
 Usage: Folding door, Double layer window



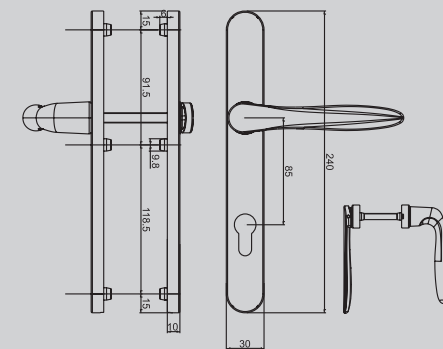
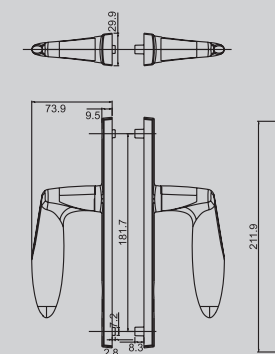
Name: Double layer door handle set
 Model: FDH021.03.##
 Model Description: DH03 Inner handle, 0= Fake side, 1= 85mm, 2= 92mm, 15 handle style, ##= Color
 Surface treatment: Oxidation, Fluorocarbon spraying
 Usage: Folding door, Casement door



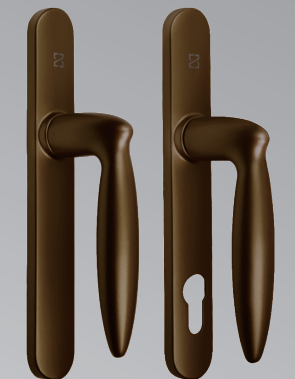
Name: Door handle set
 Model: DH010.03.##
 Model Description: DH01 Door handle, 0= Fake side, 1= 85mm, 2= 92mm, 03 handle style, ##= Color
 Surface treatment: Oxidation, Fluorocarbon spraying
 Usage: Folding door, Casement door



Name: Inner curved handle
 Model: DH021.05.##
 Model Description: DH02 Inner handle, 0= Fake side, 1= 85mm, 2= 92mm, 15 handle style, ##= Color
 Surface treatment: Oxidation, Fluorocarbon spraying
 Usage: Folding door, Casement door



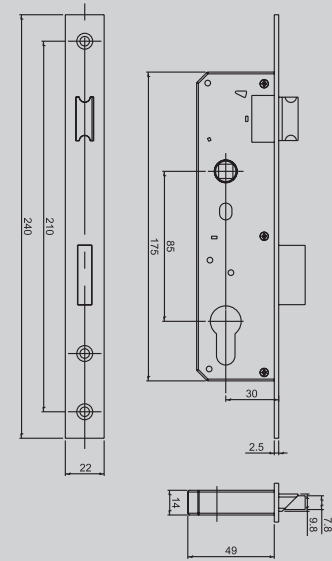
Name: Door handle set
 Model: FDH011.10.##
 Model Description: DH01 Inner handle, 0= Fake side, 1= 85mm, 2= 92mm, 10 handle style, ##= Color
 Surface treatment: Oxidation, Fluorocarbon spraying
 Usage: Folding door, Casement door



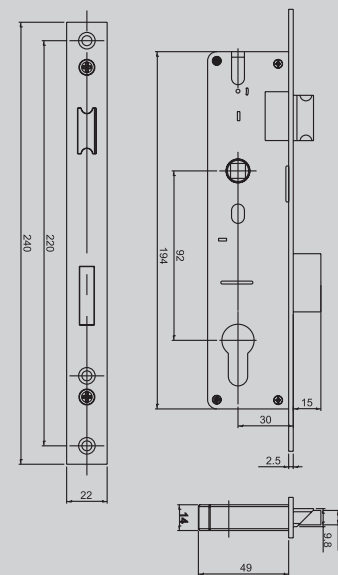
 LOCK BODIES



Name : Casement door Lock Body
 Model : DL322.8530
 Model Description : DL= Casement door Lock Body, 3= Model No.3, 22 Panel width, 85= Exposed touge center to lock cylinder distance 85mm, 30 Inner width
 Surface treatment : Spraying
 Usage : Folding door, Casement door



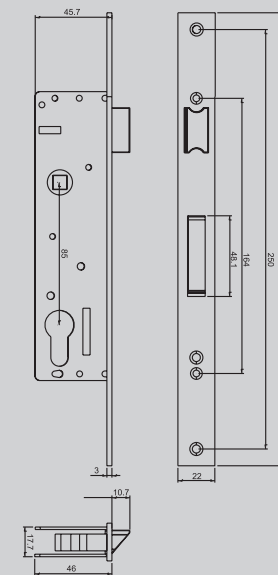
Name : Casement door Lock Body
 Model : DL322.9230
 Model Description : DL= Casement door Lock Body, 3= Model No.3, 22 Panel width, 92= Exposed touge center to lock cylinder distance 92mm, 30 Inner width
 Surface treatment : Spraying
 Usage : Folding door, Casement door



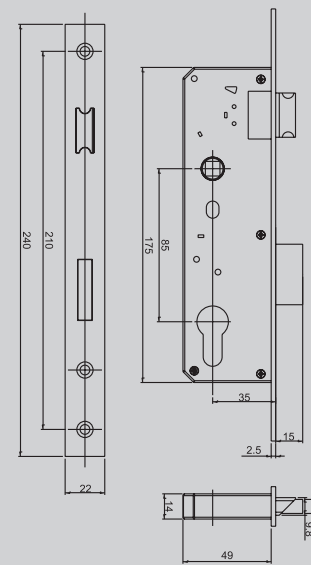
 LOCK BODIES



Name : Casement door Lock Body
 Model : DL122.8530
 Model Description : DL= Casement door Lock Body, 1= Model No.1, 22 Panel width, 85= Exposed touge center to lock cylinder distance 85mm, 30 Inner width
 Surface treatment : Spraying
 Usage : Folding door, Casement door



Name : Casement door Lock Body
 Model : DL322.8535
 Model Description : DL= Casement door Lock Body, 3= Model No.3, 22 Panel width, 85= Exposed touge center to lock cylinder distance 85mm, 35 Inner width
 Surface treatment : Spraying
 Usage : Folding door, Casement door



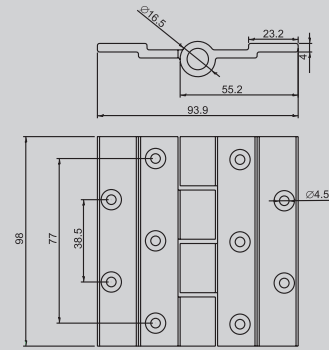
 **FRICION HINGES**

 **FRICION HINGES**



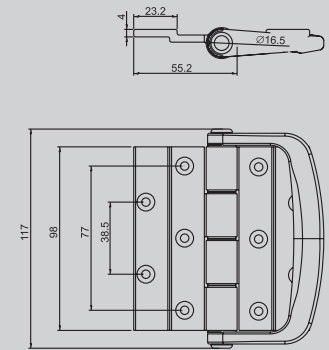
Name : Folding door series 100 hinge
 Model : AMH519.##
 Model Description : AMH519= 100 hinge series 100, ##= Color
 Surface treatment : Fluorocarbon spraying
 Usage : Folding door series 100

- 01
Black
- 02
White
- 03
Silver
- 04
Golden
- 013
Champagne
- 014
Ashen



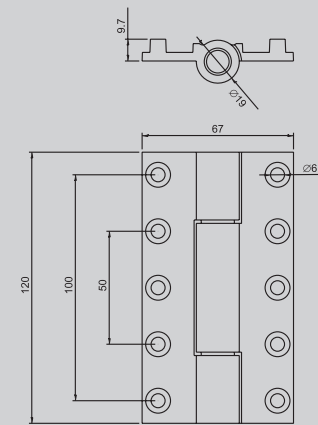
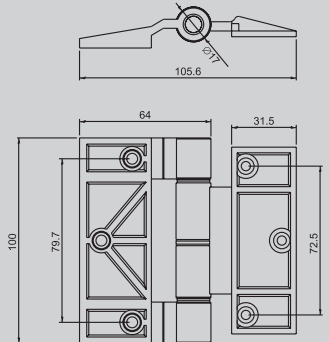
Name : Folding door series 100 Pull handle Hinge
 Model : AHH519.##
 Model Description : AHH519= 100 Pull handle Hinge series, ##= Color
 Surface treatment : Fluorocarbon spraying
 Usage : Folding door series 100

- 01
Black
- 02
White
- 03
Silver
- 04
Golden
- 013
Champagne
- 014
Ashen



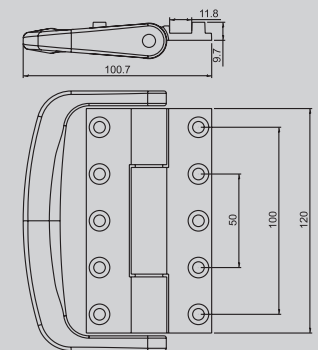
Name : Folding door series 100side hinge
 Model : AMH513.##
 Model Description : AMH513= Folding door side hinge series 100 Hinge, ##= Color
 Surface treatment : Fluorocarbon spraying
 Usage : Folding door series 100

- 01
Black
- 02
White
- 03
Silver
- 04
Golden
- 013
Champagne
- 014
Ashen



Name : Series 75 Aluminium - wood Hinge
 Model : AMH319.##
 Model Description : AMH319= Series 75 Aluminium - wood Hinge, ##= Color
 Surface treatment : Fluorocarbon spraying
 Usage : Folding aluminium-wood door series 75

- 01
Black
- 02
White
- 03
Silver
- 04
Golden
- 013
Champagne
- 014
Ashen

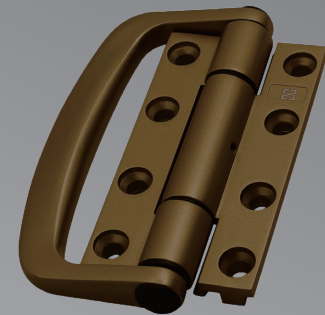


Name : Series 75 Aluminium - wood Pull handle Hinge
 Model : AMH319.##
 Model Description : AMH319= Series 75 Aluminium - wood Pull handle Hinge, ##= Color
 Surface treatment : Fluorocarbon spraying
 Usage : Folding aluminium-wood door series 75

- 01
Black
- 02
White
- 03
Silver
- 04
Golden
- 013
Champagne
- 014
Ashen

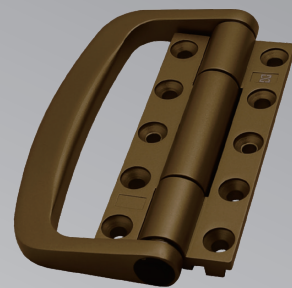
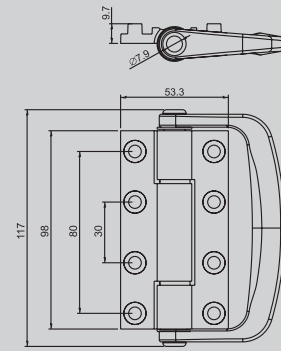


 FRICTION HINGES




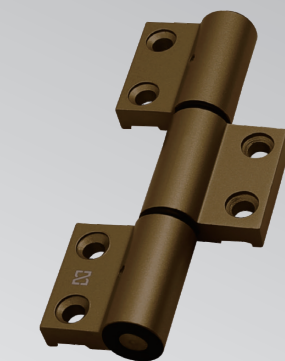
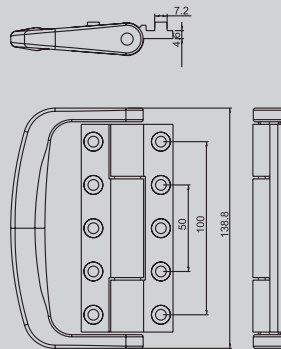
Name : 75B Folding slight door Pull handle Hinge
 Model : AHH314.##
 Model Description : AMH314= 75 Folding door Hinge, ## = Color
 Surface treatment : Fluorocarbon spraying
 Usage : 75Folding door

-  01
Black
-  02
White
-  03
Silver
-  04
Golden
-  013
Champagne
-  014
Ashen



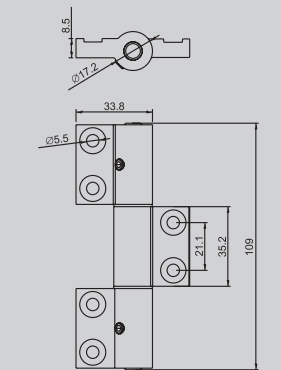
Name : 75 Folding heavy door Pull handle Hinge
 Model : AHH316.##
 Model Description : AHH316= 75 Folding door Pull handle Hinge, ##= Color
 Surface treatment : Fluorocarbon spraying
 Usage : 75 Folding door

-  01
Black
-  02
White
-  03
Silver
-  04
Golden
-  013
Champagne
-  014
Ashen



Name : 75A Folding slight door Hinge
 Model : AMH307.##
 Model Description : AMH307= 75 Folding door Hinge, ## = Color
 Surface treatment : Fluorocarbon spraying
 Usage : 75 Folding door

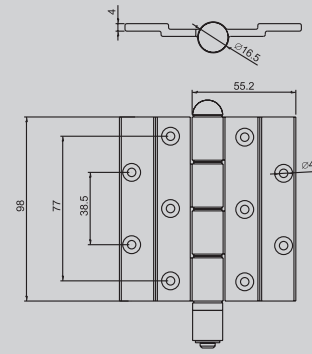
-  01
Black
-  02
White
-  03
Silver
-  04
Golden
-  013
Champagne
-  014
Ashen



 ROLLER CARRIAGES

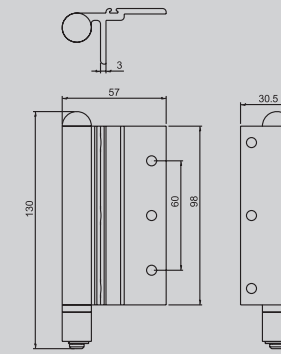
Name : 100 series Folding door roller
 Model : ABR10.04.##B
 Model Description : ABR10= 100 series Folding door, 04 = Model No.04, ##= Color , T= roller
 Surface treatment : Fluorocarbon spraying
 Usage : 100 series Folding door

-  01
Black
-  02
White
-  03
Silver
-  04
Golden
-  013
Champagne
-  014
Ashen



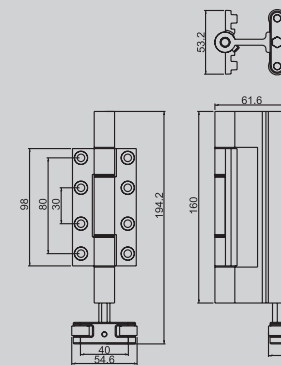
Name : 100 series Folding door conner tranmission single roller
 Model : ABR10.02R.##B
 Model Description : ABR10= 100 series Folding door, 02= Model No.02, R= right, L= left, ##= Color , T= roller
 Surface treatment : Fluorocarbon spraying
 Usage : 100 series Folding door

-  01
Black
-  02
White
-  03
Silver
-  04
Golden
-  013
Champagne
-  014
Ashen



Name : 75 Folding slight door roller
 Model : ABR75.06.##T
 Model Description : ABR75= 75 series roller, 07= Model No.07, ##= Color , T= upper roller
 Surface treatment : Fluorocarbon spraying
 Usage : 75Folding door

-  01
Black
-  02
White
-  03
Silver
-  04
Golden
-  013
Champagne
-  014
Ashen

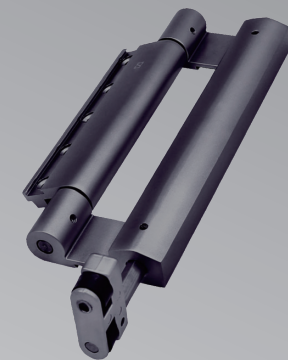
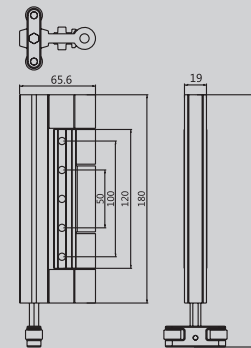




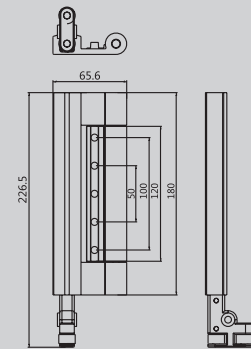
ROLLER CARRIAGES



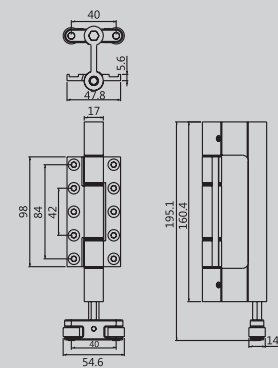
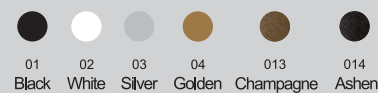
Name : 75B Folding heavy door roller
 Model : ABR75.07.##T
 Model Description : ABR75= 75 series roller, 07= Model No.07, ##= Color , T= upper roller
 Surface treatment : Fluorocarbon spraying
 Usage : 75 Folding door



Name : 75 Folding door single roller
 Model : ABR75.08L/R.##T
 Model Description : ABR75= 75 series roller, 08= Model No.08, ##= Color , T= upper roller
 Surface treatment : Fluorocarbon spraying
 Usage : 75 Folding door

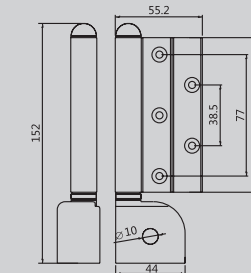


Name : 75A Folding door roller
 Model : ABR75.04.##T
 Model Description : ABR75= 75 series roller, 04= Model No.04, ##= Color , T= upper roller
 Surface treatment : Fluorocarbon spraying
 Usage : 75 Folding door

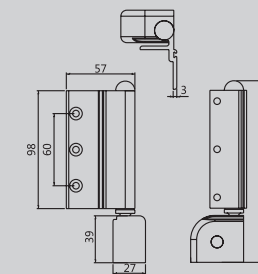


ROLLER CARRIAGES

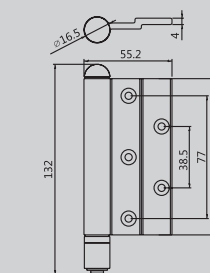
01 Black 02 White 03 Silver 04 Golden 013 Champagne 014 Ashen Surface treatment: Spraying Usage: 100 series Folding door



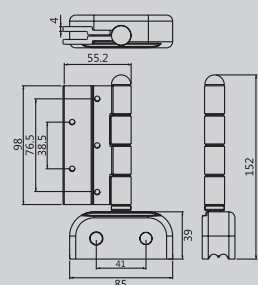
Name : 100 series Folding door single bottom roller
 Model : ABR10.01R.##B
 Model Description : ABR10= 100 series Folding door , 01= Model No.01, R= right, L= left, ##= Color , B= bottom roller



Name : 100 series Folding door corner transmission single bottom roller
 Model : ABR10.02R.##B
 Model Description : ABR10= 100 series Folding door , 02 = Model No.02, R= right, L= left, ##= Color , T= roller



Name : 100 series Folding door corner transmission single bottom roller
 Model : ABR10.01R.##B
 Model Description : ABR10= 100 series Folding door , 01 = Model No.01, R= right, L= left, ##= Color , T= roller



Name : 100 series Folding door bottom roller
 Model : ABR10.04.##B
 Model Description : ABR10= 100 series Folding door , 04= Model No.04, ##= Color , B= bottom roller



 SIGICO

A good friend of doors and windows



- Handle
- Casement Windows Lock Block
- Friction Hinges
- The Wind Brace
- Hinge
- Other Accessories
- Configuration scheme



Casement Windows
accessories

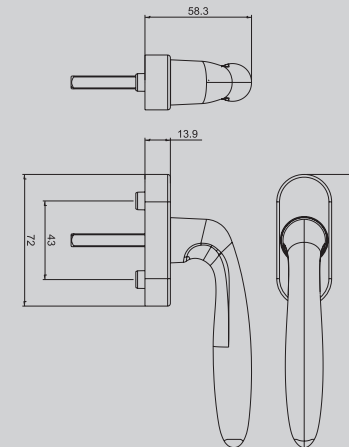
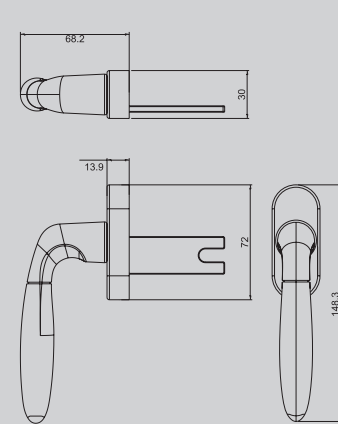
HANDLE SELECTIONS

HANDLE SELECTIONS



Name: Steel Window handle
 Model: L420.xx.##
 Model Description: L4 Square shaft base, GL5 fork base, 15 handle style, xx= Axis length (Axis length can be customized), ##= Color (Optional)
 Surface treatment: Plated
 Usage: Casement window, Sliding window

- 033
Bright chrome plated
- 097
Gold plated
- 013
Metal
- 014
Champagne
- 014
Ashen



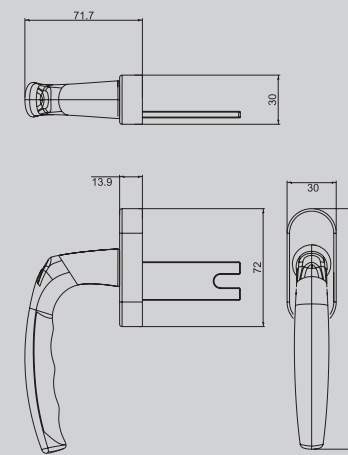
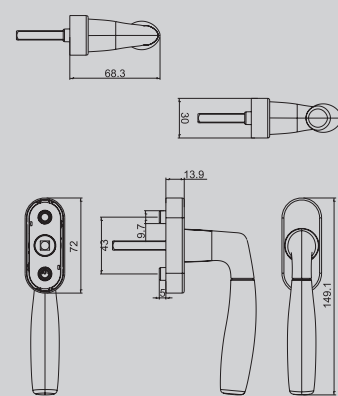
Name: Copper Window handle
 Model: LC420.xx.##
 Model Description: L4 Square shaft base, GL5 fork base, C= Copper, 20 handle style, xx= Axis length (Axis length can be customized), ##= Color (Optional)
 Surface treatment: Plated
 Usage: Casement window, Sliding window

- 033
Bright chrome plated
- 097
Gold plated
- 013
Metal
- 014
Champagne
- 014
Ashen



Name: Steel Window handle
 Model: L419.xx.##
 Model Description: L4 Square shaft base, GL5 fork base, 19 handle style, xx= Axis length (Axis length can be customized), ##= Color (Optional)
 Surface treatment: Plated
 Usage: Casement window, Sliding window

- 033
Bright chrome plated
- 097
Gold plated
- 013
Metal
- 014
Champagne
- 014
Ashen



Name: Steel Window handle
 Model: LC425.xx.##
 Model Description: L4 Square shaft base, GL5 fork base, 25 handle style, xx= exposed toung length(customized), ##= Color (Optional)
 Surface treatment: Plated
 Usage: Casement window, Sliding window

- 033
Bright chrome plated
- 097
Gold plated
- 013
Metal
- 014
Champagne
- 014
Ashen

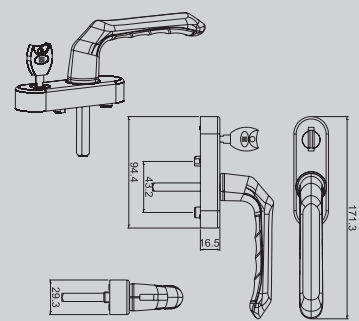


HANDLE SELECTIONS



Name: Window handle
 Model: L822.xx.##
 Model Description: L8 Square shaft base, 26 handle style, xx= Axis length (Axis length can be customized), ##= Color (Optional)
 Surface treatment: Oxidation, Fluorocarbon spraying
 Usage: Casement window, Sliding window

- 010
Oxidized black
- 02
White
- 011
Oxidized Silver
- 012
Oxidized Gold
- 013
Champagne
- 014
Ashen

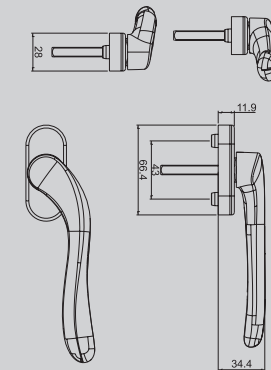


HANDLE SELECTIONS



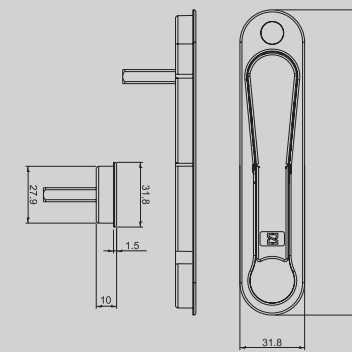
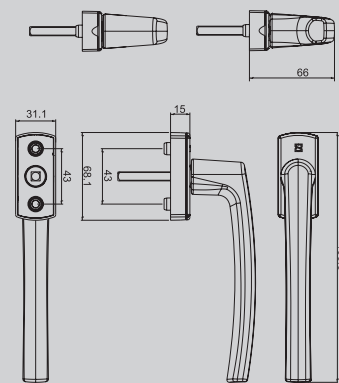
Name: Window handle
 Model: L217.xx.##
 Model Description: L2 Square shaft base, 17 handle style, xx= Axis length (Axis length can be customized), ##= Color (Optional)
 Surface treatment: Oxidation, Fluorocarbon spraying
 Usage: Casement window, Sliding window

- 010
Oxidized black
- 02
White
- 011
Oxidized Silver
- 012
Oxidized Gold
- 013
Champagne
- 014
Ashen



Name: Window handle
 Model: L726.xx.##
 Model Description: L7 Square shaft base, 26 handle style, xx= Axis length (Axis length can be customized), ##= Color (Optional)
 Surface treatment: Oxidation, Fluorocarbon spraying
 Usage: Casement window, Sliding window

- 010
Oxidized black
- 02
White
- 011
Oxidized Silver
- 012
Oxidized Gold
- 013
Champagne
- 014
Ashen



Name: Hidden handle
 Model: LH218.xx.##
 Model Description: LH218Hidden handle, xx= Axis length (Axis length can be customized), ##= Color (Optional)
 Surface treatment: Oxidation, Fluorocarbon spraying
 Usage: Casement window, Sliding window

- 010
Oxidized black
- 02
White
- 011
Oxidized Silver
- 012
Oxidized Gold
- 013
Champagne
- 014
Ashen

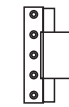




CASEMENT WINDOWS LOCK BLOCK



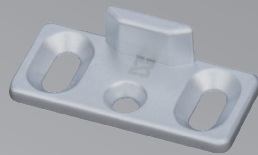
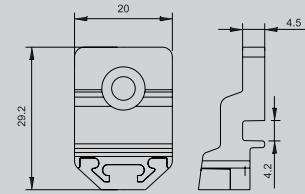
Surface treatment : Spraying
Usage : Casement window



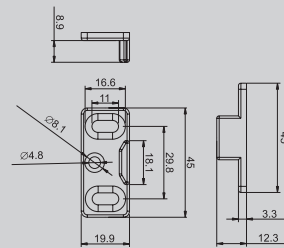
FRICTION HINGES



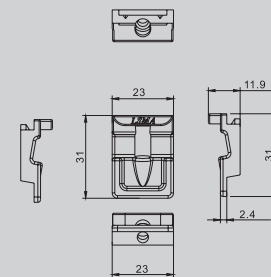
Name: Casement window Lock seat
Model: HLP01.##
Model Description: HLP= Lock seat,
01= Model No.01, ##= Color



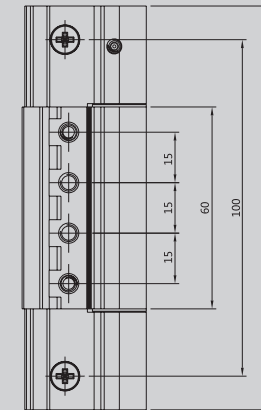
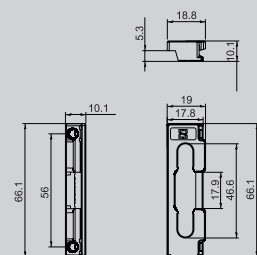
Name: Casement window Lock seat
Model: HLP03.##
Model Description: HLP= Lock seat,
03= Model No.03, ##= Color



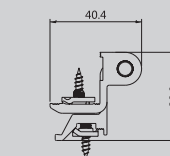
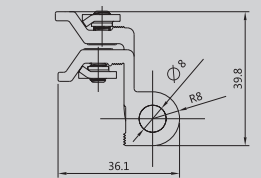
Name: Casement window Lock seat
Model: HLP09.##
Model Description: HLP= Lock seat,
09= Model No.09, ##= Color



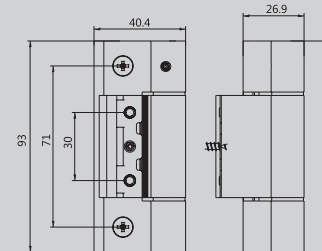
Name: Anti-theft Lock seat
Model: HLP02.##
Model Description: HLP= Lock seat,
02= Model No.02, ##= Color

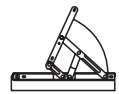


Name: Euro standard Hinge (120mm)
Model: AMH196.##
Model Description: AMH196 Euro standard
Hinge, ## = Color
Surface treatment : Oxidation,
Fluorocarbon spraying
Usage: Casement window, Double
layer window



Name: Euro standard window Hinge
Model: AMH197.##
Model Description: AMH197 Euro standard
Hinge, ##= Color
Surface treatment : Oxidation,
Fluorocarbon spraying
Usage: Casement window, Double
layer window

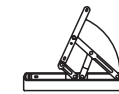




FRICION



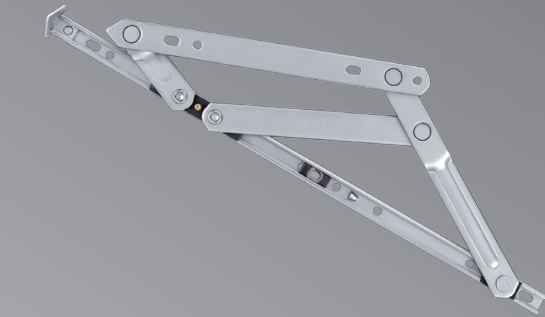
Surface treatment : None
Usage : Sliding door



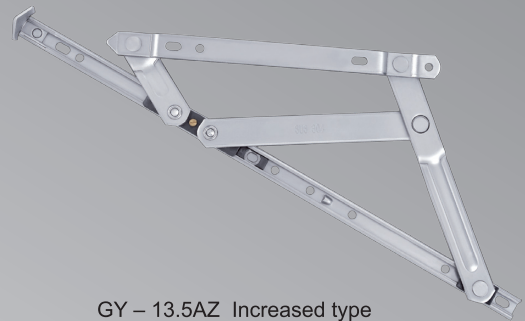
FRICION



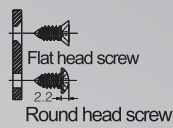
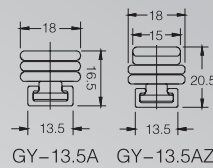
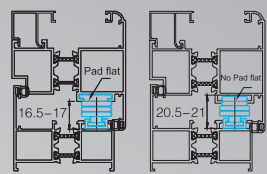
Surface treatment : None
Usage : Sliding door



GY - 13.5 A Square groove upper lift friction hinge

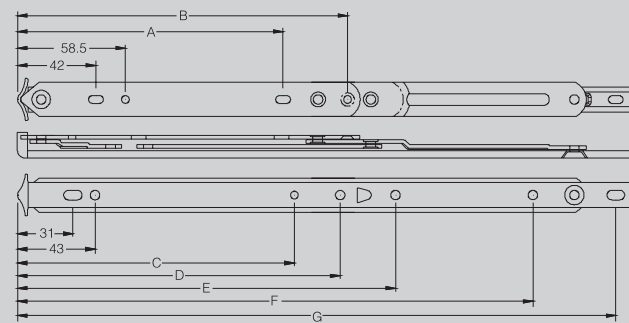


GY - 13.5AZ Increased type
(Square groove upper lift friction hinge)



- ☆ Normally, the length of friction hinge is equal to 2/3 window's width; if the window is light, it can be adjust to 1/2;
- ☆ Use ST 4.2 Self-tapping screws, includes flat head and round head screws (image)
- ☆ Make sure the friction hinge is clean while installation; don't let cement, sand or lime stay on the friction hinge
- ☆ Make sure the window is well closed while cleaning the outside wall to protect the surface of friction hinge and its normal function.
- ☆ Insert lubricative oil when needed

- ☆ Application to Hanging the window;
- ☆ (304) is made of high quality stainless steel manufacturing;
- ☆ In JG/T127-2007 standard for building doors and Windows hardware - friction;
- ☆ Quality conforms to the standard SS212 BS6375, Singapore and Hong Kong housing department;
- ☆ Can adjust opening Angle section (lock activity) fixed block;
- ☆ The ministry of construction committee recommended products for doors and Windows fittings;
- ☆ This product is a professional stamping made heavy industry automation equipment, precision, beautiful, strong and durable;
- ☆ Fifty thousand times by authorities after test can still be normal operation, ensure continuing durable use;
- ☆ As technology improvement, the product of certain parameters will change.



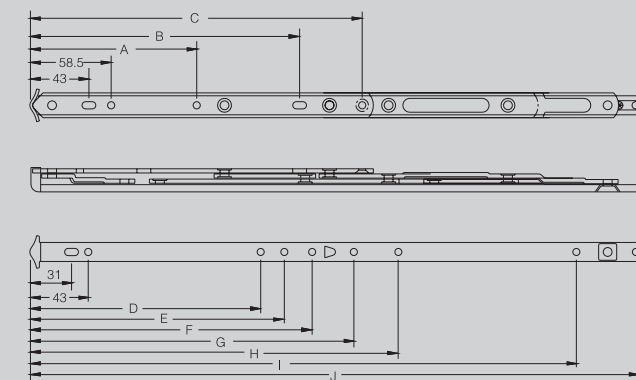
Installation dimensions and technical parameters Unit:mm

Model	A	B	C	D	E	F	G
GY-13.5A-10'/ GY-13.5AZ-10'	103	142.5	170	186	—	212.5	257.5
GY-13.5A-12'/ GY-13.5AZ-12'	129	169	176	199	—	253	298
GY-13.5A-14'/ GY-13.5AZ-14'	156.5	196	182	207	237	303	348
GY-13.5A-16'/ GY-13.5AZ-16'	168.5	212	157.5	178	207.5	357	402
GY-13.5A-18'/ GY-13.5AZ-18'	203	248	184	205.5	235.5	395	440

Aluminum window specifications

Model	Highest window	Largest window	Heaviest window	Opening angle (± 2°)
GY-13.5A-10'/ GY-13.5AZ-10'	600	1200	25kg	35/40°
GY-13.5A-12'/ GY-13.5AZ-12'	800	1200	33kg	30/35°
GY-13.5A-14'/ GY-13.5AZ-14'	1000	1200	38kg	30/35°
GY-13.5A-16'/ GY-13.5AZ-16'	1100	1200	47kg	25/30°
GY-13.5A-18'/ GY-13.5AZ-18'	1200	1200	55kg	20/25/30°

- ☆ Application to Hanging the window;
- ☆ (304) is made of high quality stainless steel manufacturing;
- ☆ In JG/T127-2007 standard for building doors and Windows hardware - friction;
- ☆ Quality conforms to the standard SS212 BS6375, Singapore and Hong Kong housing department;
- ☆ Can adjust opening Angle section (lock activity) fixed block;
- ☆ The ministry of construction committee recommended products for doors and Windows fittings;
- ☆ This product is a professional stamping made heavy industry automation equipment, precision, beautiful, strong and durable;
- ☆ Fifty thousand times by authorities after test can still be normal operation, ensure continuing durable use;
- ☆ As technology improvement, the product of certain parameters will change.

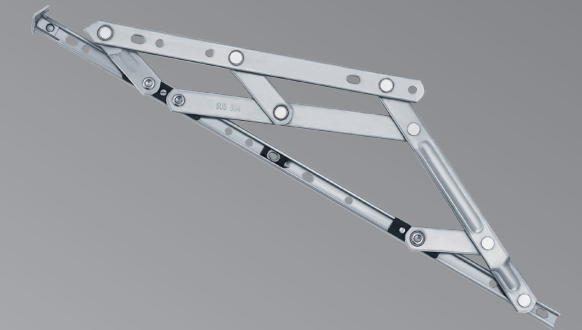


Installation dimensions and technical parameters Unit:mm

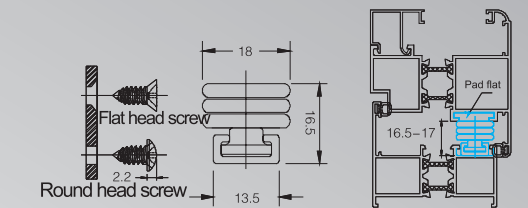
Model	A	B	C	D	E	F	G	H
GY-13.5AL-18'	146	273	283.5	180.5	319.5	349.5	395	440

Aluminum window specifications

Model	Highest window	Largest window	Heaviest window	Opening angle (± 2°)
GY-13.5AL-18'	1600	800	60kg	45/88°



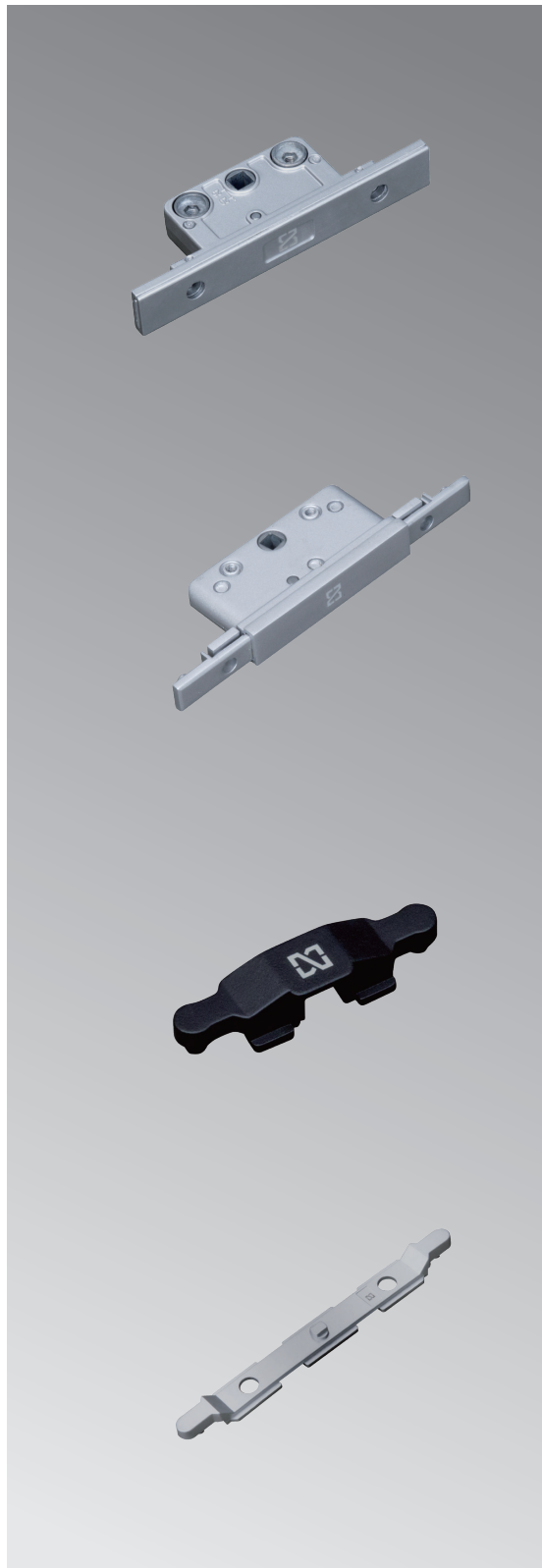
GY - 13.5AL : 13.5 Square groove upper lift friction hinge



- ☆ Normally, the length of friction hinge is equal to 2/3 window's width; if the window is light, it can be adjust to 1/2;
- ☆ Use ST 4.2 Self-tapping screws, includes flat head and round head screws (image)
- ☆ Make sure the friction hinge is clean while installation; don't let cement, sand or lime stay on the friction hinge
- ☆ Make sure the window is well closed while cleaning the outside wall to protect the surface of friction hinge and its normal function.
- ☆ Insert lubricative oil when needed

OTHER ACCESSORIES

ONE CONFIGURATION WINDOW



Name: Transmission box
 Model: AGC25.##
 Model Description: AGC= Transmission box, 25= Inner width25mm
 Surface treatment: Spraying
 Usage: Casement window, Double layer window

01 03
 Black Silver

Name: Transmission box
 Model: AGC25.##
 Model Description: AGC= Transmission box, 25= Inner width25mm
 Surface treatment: Spraying
 Usage: Casement window, Double layer window

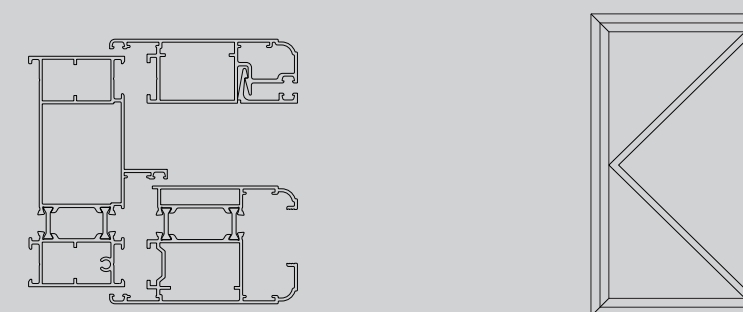
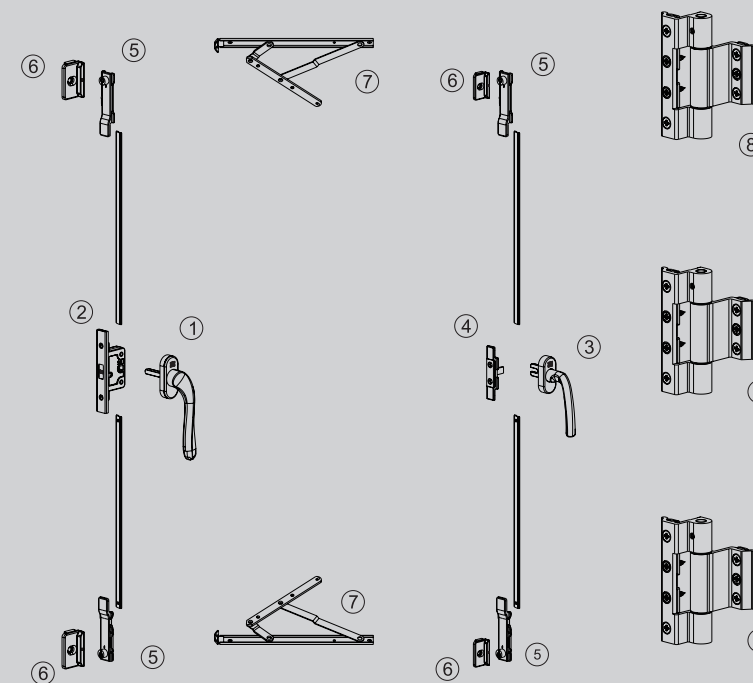
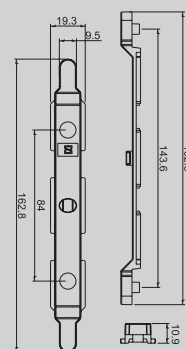
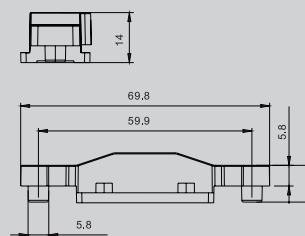
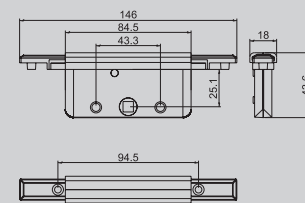
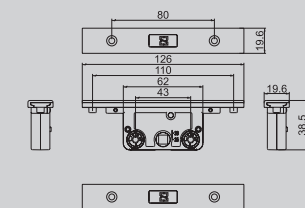
01 03
 Black Silver

Name: Linkage pad
 Model: PT03.01
 Model Description: PT= Linkage pad, 03= Model No.03, 01= Black
 Surface treatment: Spraying
 Usage: Casement window, Sliding window

01
 Black

Name: Connection bar
 Model: PT01.##
 Model Description: PT= Connection bar, 01= Model No.01, ##= Color
 Surface treatment: Spraying
 Usage: Casement window

01 03
 Black Silver



Seq	Name	Model	Unit	Quantity	Note
1	Curved square shaft handle	L217. xx. ##	Piece	1	
2	Transmission box	AGC25. ##	Piece	1	
3	Fork type handle	GL514. xx. ##	Piece	1	
4	T shape part	TSC01. 20. ##	Piece	1	
5	Lock point	HLR01. 1065. ##	Piece	4	
6	Lock seat	HLP07. ##	Piece	4	
7	Friction hinge	HFH2216. 14. 98	Piece	2	
8	Euro standard hinge	AMH197. ##	Piece	3	



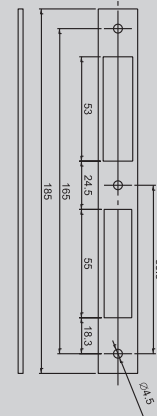
FLAT OPEN LOCKS A



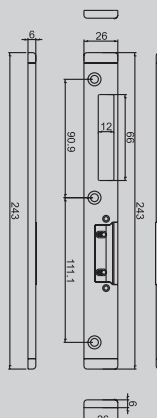
FLAT OPEN LOCKS A



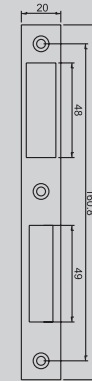
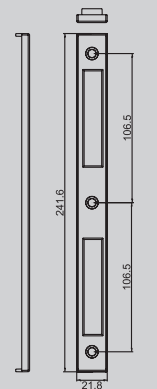
Name: Casement door Lock seat
 Model: DLP06.##
 Model Description: DLP= Casement door Lock seat, 06= Model No.06, ##= Color
 Surface treatment: Plated
 Usage: Casementdoor



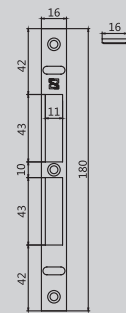
Name: Casement door Lock seat
 Model: DLP08.##
 Model Description: DLP= Casement door Lock seat, 08= Model No.08, ##= Color
 Surface treatment: Plated
 Usage: Casementdoor



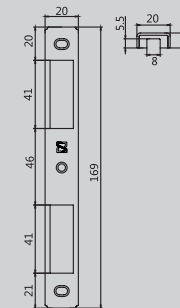
Name: Casement door Lock seat
 Model: DLP09.098
 Model Description: DLP= Casement door Lock seat, 09= Model No.09, 098= Stainless steel color
 Surface treatment: Plated
 Usage: Casementdoor



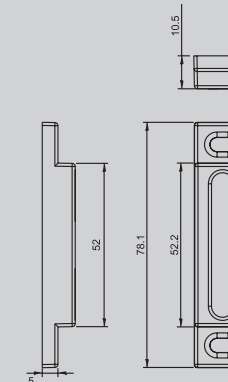
Name: Casement door Lock seat
 Model: DLP05.098
 Model Description: DLP= Casement door Lock seat, 05= Model No.05, 098= Stainless steel color
 Surface treatment: None
 Usage: Casement door



Name: Sliding door Lock seat
 Model: DLP07
 Model Description: SLP=Sliding door, Lock seat



Name: Casement door Lock seat
 Model: DLP09
 Surface treatment: None
 Usage: Casement door



Name: Casement door Lock seat
 Model: DLP04.##
 Model Description: HLP= Casement window Lock seat, 04= Model No.04, ##= Color
 Surface treatment: Spraying
 Usage: Casement door

