

INSTALLATION & MAINTENANCE GUIDE

Guide For Eco Deck™: Prestige and Advanced Products

ECO DECK™
PRODUCTS

TABLE OF CONTENT

PAGE

3. Storage & Handling
4. Installation: Must Read
5. Recommended Tools
6. Accessory Recommendations
7. Preparation
8. Spacing The Board & Water Run Off
9. Deck Installation
10. Deck Installation
11. Last Deck Board Installation
12. Picture Frame Border Installation
13. Edge Board Installation (Advanced)
14. Edge Board Installation (Advanced)
15. Edge Board Installation (Prestige)
16. Edge Board Installation (Prestige)
17. Fascia Board Installation
18. Corner Trim Installation
19. Installation of Steps & Stair
20. Maintenance & Care

STORAGE & HANDLING

While composites are highly durable, please follow these essential guidelines when storing, moving, and working with Eco Deck™ products to ensure their lasting beauty.

Storage

- Materials should always be covered until they are installed to maintain a clean surface. If stored outside use, a non-translucent material.
- All products should be stored flat and level, supported above the ground at 2ft intervals
- Dunnage used to separate and support stored material should be spaced no more than 2ft apart to ensure the boards don't bow.
- Stack units with banding and bottom supports aligned
- Pallets of deck boards should not be stacked more than four pallets (9ft) in height

Handling

- Eco Deck™ materials should be handled with care when unloading.
- When removing boards from a unit, lift the boards and set them down. Do not slide boards against each other when moving them.
- Carry Eco Deck™ boards on the edges for better support.
- During construction, do not slide or drag any equipment across the boards.
- The surface of the boards should be kept free of construction material and waste to prevent damage.
- Each 16ft deck board weighs 30lb, so please ensure they are handled safely. We recommend that two people handle the boards during transportation.

ECO DECK™ INSTALLATION: MUST READ

Always leave expansion gaps

- A minimum gap of 8mm (5/16in) should be left at board end butt joints to allow material expansion (or min. 0.2% of the length for trimmed boards).
- A minimum of 20mm (3/4in) gaps must be left between board edges and solid common boundary walls/objects.
- 20 mm (3/4 inch) should also be left between substructure butt joints.
- Not leaving an expansion gap will result in boards warping and will invalidate the warranty.

Do not share fasteners/joists between board ends

- Hidden fasteners must not be shared between board butt joint ends, and a double joist should be used to support both board ends fully.

Always ensure an adequate drainage slope

- A minimum drainage slope of between 3mm (1/8in) and 6mm (1/4in) should be incorporated every 1 ft on the deck surface to ensure sufficient water run-off.
- Poor drainage will result in standing water, which could lead to board warping and mould buildup.

Be aware of tannins and natural 2–12 month colour fading (Prestige deep embossed deck boards only)

- Eco Deck™ Prestige composite boards contain natural wood oils called tannins.
- Over a period of 2–12 months, tannins are gradually washed out of the wood by rain and moisture, and during this process, watermarks may appear.
- Different environmental conditions can cause this process to be faster or slower.
- This is nothing to be worried about, and they should disappear after the boards have been wet and dried sufficiently.
- This process makes the boards naturally lighten and will stabilize after the tannins are fully washed out.

It is the customer's responsibility to determine the suitability of Eco Deck™ products for their private or commercial installation. It is solely the customer's responsibility to consult with their national or local building codes to set out technical requirements for the design and construction of new builds and the alteration, change of use and demolition of existing builds.

RECOMMENDED TOOLS FOR INSTALLING ECO DECK™ PRODUCTS

Standard woodworking tools can be used when working with Eco Deck™ material. If you are unsure about using any tools, please consult the tool's manufacturer's user manual.

- Safety glasses and appropriate personal protection equipment.
- Circular Saw- We Recommend a thin kerf 40-tooth alternate top bevel (ATB) finish blade to achieve the cleanest cuts.
- Power mitre saw for efficiency.

- Jigsaw

- Tape Measure

- Rubber mallet

- Hand drill

- Impact driver

- Spirit level

- Carpentry square

- Chalk line



ACCESSORY RECOMMENDATIONS

The below guide will help determine how much material you may require

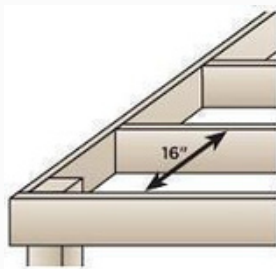
ITEM	PRODUCT	DIMENSIONS	COLOUR OPTIONS	QUANTITY
	Prestige Deck Board 16ft	488cm x 146mm x 25mm 16ft x 5.75in x 1in	Grey Oak	Variable
	Prestige Edge Board 17ft	518cm x 140cm x 25mm 17 ft x 5.5in x 1in	Grey Oak	Variable
	Advanced Deck Board 16ft	488cm x 138mm x 23mm 16ft x 5.5 x 7/8in	Grey Teak Redwood	Variable
	Advanced Bullnose Edge Board 16ft	488cm x 138mm x 23mm 16ft x 5.5 x 7/8in	Grey Teak Redwood	Variable
	Advanced Fascia Board 16ft	488cm x 138mm x 15mm 16ft x 5.5 x 5/8in	Grey Teak Redwood	Variable
	Prestige/Advanced Corner Trim 16ft	488cm x 50mm x 50mm 16ft x 2in x 2in	Grey/Oak Grey/Teak/Redwood	Variable
	Prestige/Advanced Colour Matching End Caps	146mm x 25mm 5.75in x 1in	Grey/Oak Grey/Teak/Redwood	Prestige: 20 Units Advanced: 25 Units Per Bag
	3mm Stainless Steel Hidden Fastener & Screw	38mm x 25mm x 12mm 1 1/2in x 1in x 1/2in	Stainless Steel	100 units per bag
	6mm Plastic Hidden Fastener & Screw	44mm x 16mm x 10mm 1 3/4in x 5/8in x 3/8in	Plastic	100 units per bag
	Starter Fastener & Screw	25mm x 25mm x 10mm 1in x 1in x 3/8in	Stainless Steel	25 units per bag

**** You can visit the Eco Deck™ FAQ page to learn more about the difference between a 6mm and 3mm Hidden Fastener.**

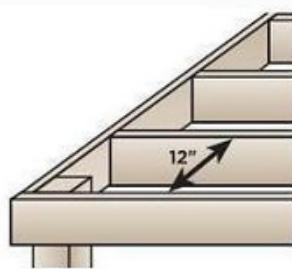
INSTALLATION PREPARATION

Follow these guidelines for the best deck installation

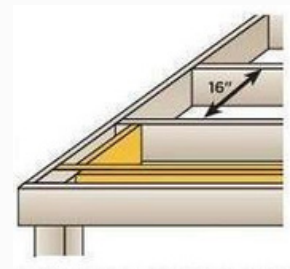
- Eco Deck™ Prestige/Advanced deck boards can be installed with either side facing up. Eco Deck™ recommends using the wood grain side up for the best scratch-resistant and anti-slip surface when walking.
- Eco Deck™ Prestige/Advanced edge board can only be installed with the wood grain surface facing up.
- Before installation, check to ensure all joists are level and structurally sound and no nails or screws protrude.
- Ensure all joists are crowned correctly and are level across the top as Eco Deck™ boards will conform to the surface substructure.
- Proper joist spacing is required for proper installation. Joist spacing should never exceed 16" on center. For a more rigid feel, Eco Deck™ recommends 12" on center joist spacing.
- For best results, installing solid wood blocking between each joist, placed every 4ft- 6ft within the substructure, can help reduce movement or twisting of the joists. Limiting the joist movement can help mitigate excessive gapping and ensure a more uniform finished surface of your deck.



1. Basic 16" joist spacing (maximum)



2. Basic 12" joist spacing (recommended)

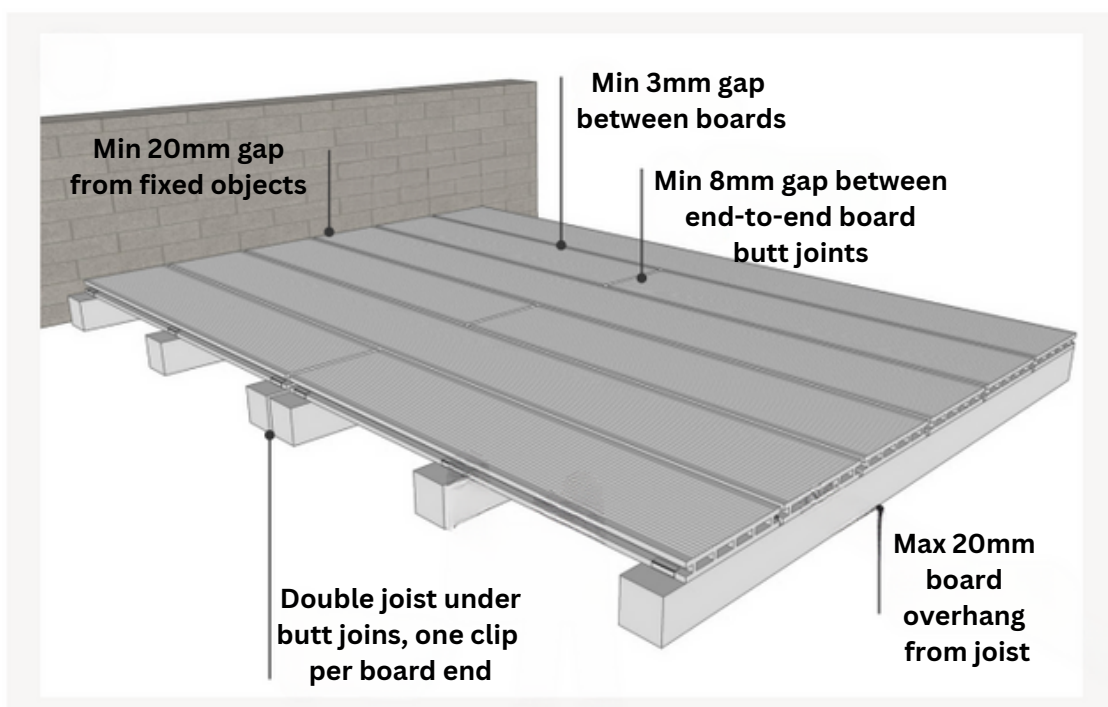


3. 16" joist spacing plus additional support for picture frame structure

SPACING THE BOARDS & WATER RUN OFF

Due to the natural material expansion and contraction with temperature changes, please ensure the following gapping requirements for all Eco Deck™ products.

- Eco Deck™ boards should have a minimum gap of 3mm (1/8 in)
- Eco Deck™ butt joints should have a minimum gap of 8mm (5/16in)
- When adjoining walls or other fixed objects, a minimum 20mm (3/4in) gap is required
- Eco Deck™ boards should not overhang joists by more than 20mm (3/4in)
- To ensure sufficient water run-off to prevent pooling, a drainage slope between 3mm (1/8in) and 6mm (1/4in) should be incorporated every 30cm (1 ft) in the direction away from the house.



DECK INSTALLATION

You can start installing your deck boards now that your subframe is level and stable. If you are installing Eco Deck™ Prestige Edge Board (pages 15 and 16) or Advanced Bullnose Edge Board (pages 13 and 14), installing the edge board before installing the deck boards is recommended.

INSTALLING THE DECK BOARDS

1.

The first board must be fixed with an Eco Deck™ Starter fastener clipped to the side groove of the board. **(fig. 2)**

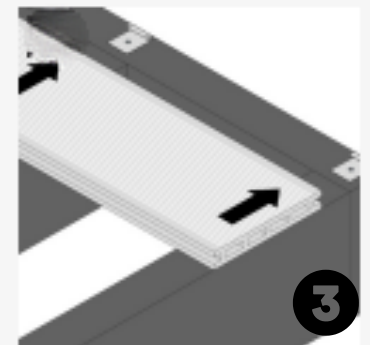
- It's recommended to start your first row furthest away from the house and work your way in.
- Align the starter fastener along the first joist every 300mm (12in) along the joist length.
- Securely screw each fastener to the joist.
- Clip the first deck board to the starter fastener.

(fig.3)

2.

Once the first board is in place, secure it using an Eco Deck™ Hidden Fastener (3mm or 6mm) by slightly raising it and clipping it into the grooved edge. Secure using a stainless steel screw that's supplied with clips. Only one screw per clip is needed. **(fig.4)**

- Work your way along the length of the board, securing one hidden fastener and one screw on every joist the deck board meets.
- Screw holes should be lined up with joist centres.
- Ensure the counter-sunk section of the hidden fastener is facing up.
- Always use hidden fasteners at board ends.
- Use one fastener per board end at butt joints (never share a fastener across two board ends).



DECK INSTALLATION

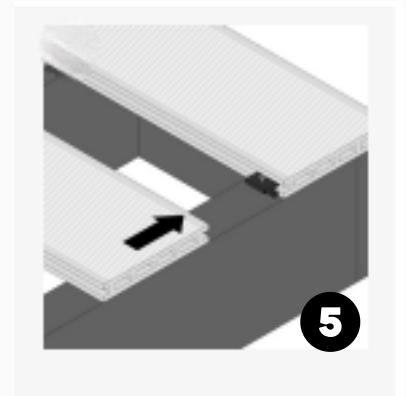
3.

For 6 mm plastic hidden fasteners, lightly screw in place, do not tighten at this point (**fig. 4**). For 3 mm hidden fasteners, however, fully tighten the screw at this point.

4.

Place the next board into position against the hidden fasteners. (**fig. 5**)

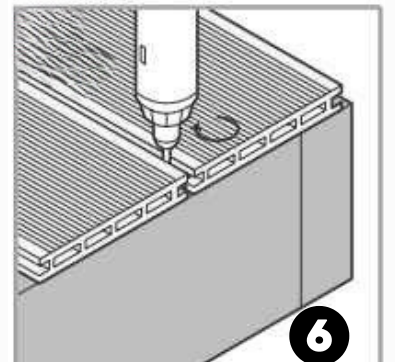
- Slightly raise the outer edge of the board being installed and slide it onto the hidden fastener.
- Ensure the decking board edge contacts the fastener.
- Lightly tap into position if required.



5.

If using the 6mm hidden plastic fasteners, fully tighten between the last boards installed and the joists (**fig. 6**)

- Apply sideward pressure on the decking to ensure that the tabs are hard against the inside of the groove.



6.

Repeat steps 2–5 until you have reached the last two boards (**fig. 7**). The last board can be fixed in two different ways (see 'Last Deck Board Installation,' page 11).

7.

Depending on the required finish, the following steps will vary.

- Your project can be finished with a 'Picture-frame Border' (see 'Picture-frame Border Installation', page 12).
- Your project can be finished using Advanced Bullnose Edge Boards (pages 13 and 14) or Prestige Edge Board (pages 15 and 16)



LAST DECK BOARD INSTALLATION

Installing the Last Deck Board

6 mm Hidden Fastener Method

Knowing the width of the last two boards, including the 6 mm (1/4 in) spacing gap between them, mark on the last joist where the outer edge of the final board will lie.

- Using these marks, securely install the hidden starter fastener for the outer edge of the last board.

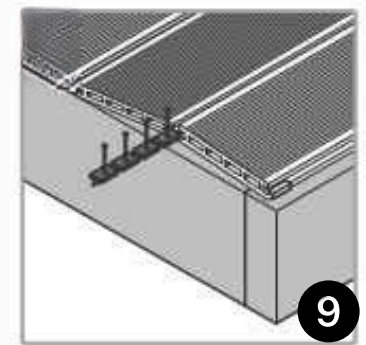
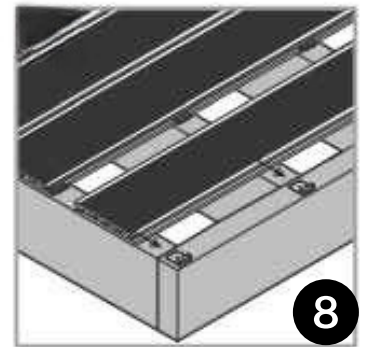
- Clip the last decking board to these starter fasteners (**fig. 8**)

- With the final board in place, insert the penultimate board.

- With the two boards in place and at least a 6 mm (1/4 in) gap between them, slide down the required number of 6 mm hidden fasteners (**fig. 9**)

- Secure the fasteners to the joists in between the last boards.

- This option will only work with the 6 mm (1/4 in) hidden fasteners. If you plan on using the 3 mm (1/8 in) fasteners, use the 3 mm Hidden Fastener Method.

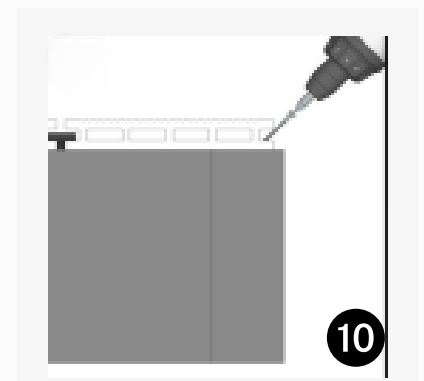


3 mm Hidden Fastener Method

With the last board in place after securing all other boards, screw through the bottom edge of the last board at an angle, securing it to the joist at 300 mm intervals (**fig. 10**)

- Pre-drill pilot holes in the deck boards 2 mm wider than the width of the screw shank.

- Do not over-drive screws into the deck boards. This could cause the material to split.

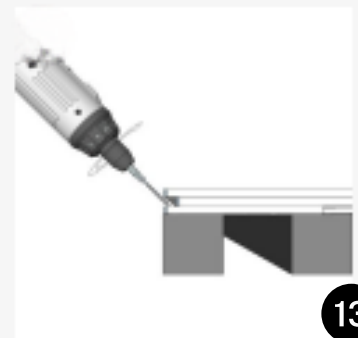
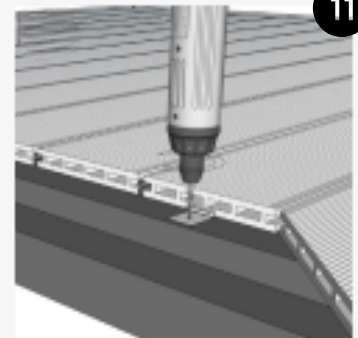


PICTURE FRAME BORDER INSTALLATION

If you are planning a picture frame border design (a board that runs around the deck's perimeter) using either deck boards or Eco Deck™ Advanced Bullnose Edging, you must install the correct substructure layout.

Picture Frame Using Prestige or Advanced 16ft DECK BOARDS.

- 1.**
A full joist width must be used under each deck board end where the picture frame board runs perpendicular to the main deck; you must have a double joist structure. **(Fig. 13)**
- 2.**
You can install the board with a 45° mitred end where the picture frame runs parallel. **(Fig. 12)**
- 3.**
For the boards that run perpendicular to the main deck, place the starter fastener on the inner joist to hold the inner board edge in place. **(Fig. 11)**
 - A clip should be installed every 300mm (12in) along the length of the joist.
- 4.**
Slide the picture frame board into the starter fastener. **(Fig. 12)**
 - You must leave the standard expansion gap between the mitred ends of the picture frame border.
- 5.**
With the picture frame board in place, screw through its outer bottom edge at an angle, securing it to the joist. **(Fig. 13)**
 - Pre-drill pilot holes in the deck boards 2mm (1/16in) wider than the screw shank
 - Do not overdrive screws into the deck boards to avoid material splitting.



**It's recommended to finish the perimeter of the deck with Eco Deck™
Corner Trim when picture framing with grooved 16ft boards.**

EDGE BOARD INSTALLATION

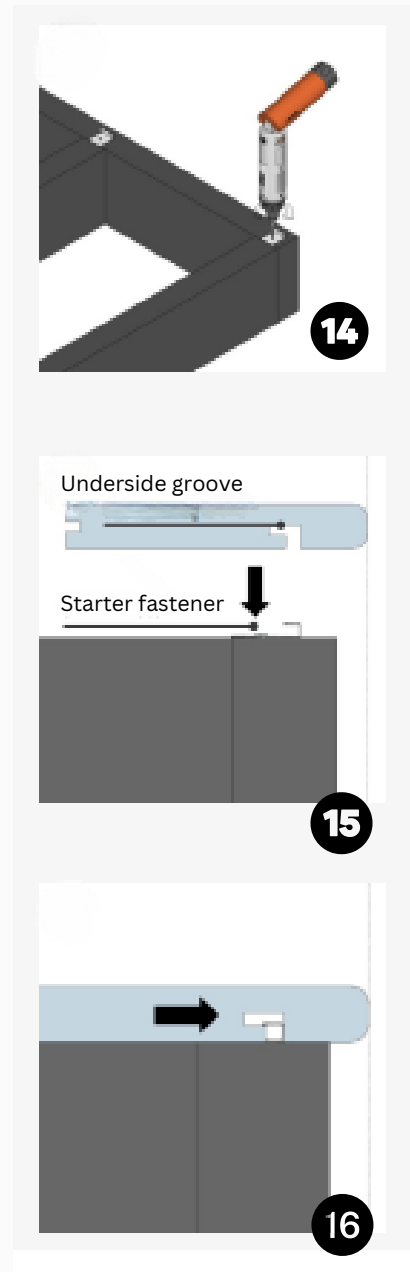
Picture Frame Borders Using Advanced Bullnose Edge Boards

Eco Deck™ Bullnose Edging can be used with the hidden fastener system to create a flush finish for steps and deck board edges. There are two methods for installing the bullnose board: parallel or perpendicular to the decking.

- Keep a 6 mm (1/4in) expansion gap between edge board butt joints (a minimum of 0.2% of the board's length).
- The bullnose must be installed before laying down the decking.
- This option is only available for the Advanced range.

Parallel Board Installation (Advanced Bullnose Edge Only)

- 1.**
When fixing the edge boards around a corner, mitre the ends at 45° angles.
- 2.**
Secure starter fastener clips onto the outer joist at 300mm (12in) intervals. **(fig. 14)**
- 3.**
Line up the edge board and lay the underside groove directly on top of the starter fasteners. **(fig. 15)**
- 4.**
Push the board forward to lock the board. **(fig. 16)**
- 5.**
Secure the remaining side of the bullnose board with hidden fasteners following steps 1-6 (pages 9 and 10)



EDGE BOARD INSTALLATION

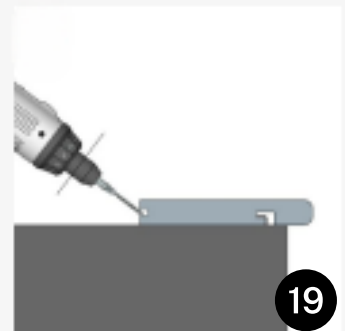
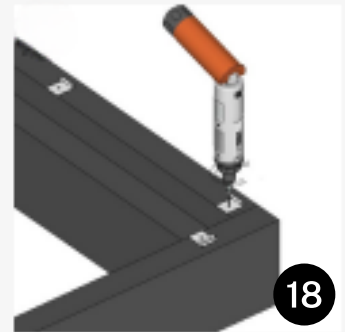
Perpendicular Board Installation (Advanced Bullnose Edge Only)

1.
A full joist width must be used under each deck board end; therefore, you must have a double joist structure where the edge board runs perpendicular to the main deck. **(fig. 17)**

2.
Secure starter fasteners onto the outer joist at 300mm (12in) intervals. **(fig. 18)**

3.
With the edge board in place, screw through the hidden fastener groove at a 45° angle, securing it to the joist. **(fig. 19)**

- Pre-drill pilot holes in the deck boards 2mm (1/16in) wider than the screw shank.
- Do not over-drive screws into the deck boards to avoid material splitting.



EDGE BOARD INSTALLATION

Installing Edge Boards (Prestige Only)

Eco Deck™ Edge Boards can be used with the hidden fastener system to create a perfectly flush finish on deck edges and steps. There are two methods for installing the board: parallel and perpendicular to the decking.

- Keep a 6 mm (1/4 In) expansion gap between edge board butt joints (a minimum of 0.2% of the board's length).
- When using edge boards, use decking boards to complete the vertical deck skirting. Edge boards are not compatible with Advanced Fascia Boards
- This option is only available in the Prestige range.

Parallel Edge Board Installation (Prestige Edge Only)

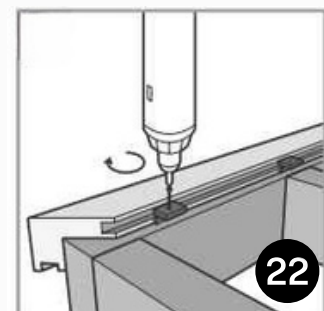
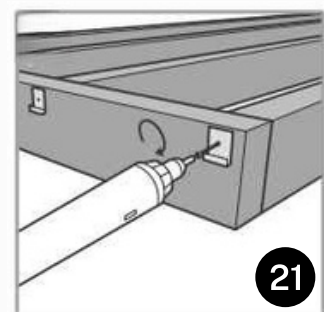
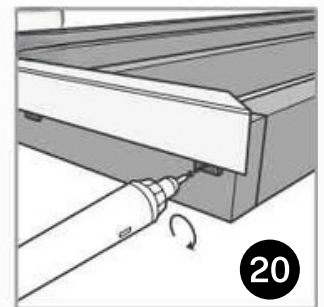
1.

Where edge boards are being fixed around a corner, mitre the ends at 45° angles.

2.

Place the edge board over the edge of the joist and secure it in place with Eco Deck™ Hidden Fasteners at 300 mm (12in) intervals (**fig. 20**). Your chosen finish will determine the type of fasteners you should use to install the board:

- If you are using a deck board for your fascia, use a 6 mm or 3 mm hidden fastener to secure the bottom of the edge board (**fig. 20**).
- If you are not planning to add fascia, you can use a starter fastener along the bottom edge (**fig. 21**).
- To secure the top side of the edge board with 6 mm hidden fasteners, lightly secure it down to the joist (**fig. 22**) and fully tighten it once the next board is in place.



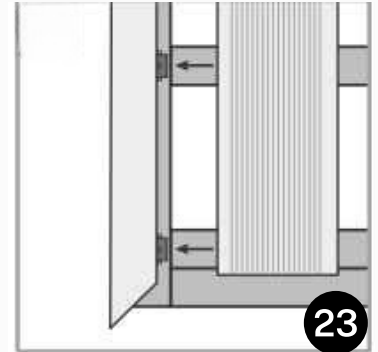
EDGE BOARD INSTALLATION

3.

Once secured in place, slide the first deck board into the hidden fasteners (**fig. 23**)

4.

Fully secure the hidden fastener to the joist.



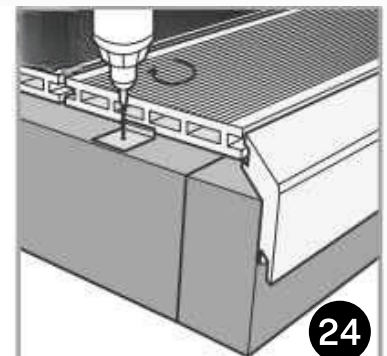
Perpendicular Edge Board Installation (Prestige Edge Only)

1.

When fixing the edge boards around a corner, mitre the ends at 45° angles.

2.

Install starter fasteners on the top side of the outer joist. Starter fasteners should be installed every 300 mm (12 in) along the length of the joist (**fig. 24**)

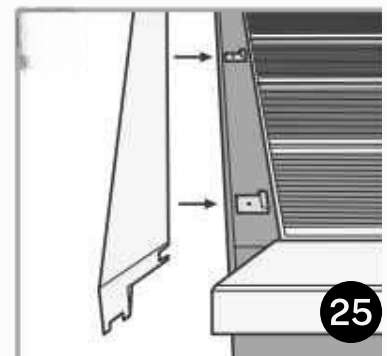


3.

Clip the edge board into the starter fastener (**fig. 25**)

4.

With the edge board in place, use hidden fasteners (3 mm or 6 mm) to secure the bottom side of the edge board.



- Only secure lightly in place if you plan to install a deck board fascia, then tighten once the first fascia board is in place.

FASCIA BOARD INSTALLATION

Eco deck™ Prestige and Advanced 16ft deck boards also double perfectly as fascia or stair riser boards and provide a uniform transition from the deck to the fascia. This provides more options to use offcuts from the main deck area. The Eco Deck™ Advanced range also includes a non-grooved fascia board that may better suit your deck design.

Before You Start

You must ensure a suitable ventilation gap is left around the base of a deck, allowing airflow:

- For hard foundations (e.g. concrete), ensure a minimum gap of 20mm (3/4in).
- For soft, non-concrete foundations, ensure a minimum gap of 40mm (1-1/2in).

Eco Deck™ fascia boards can be run vertically, horizontally or as stair risers. They must be secured in place, which may result in visible screws.

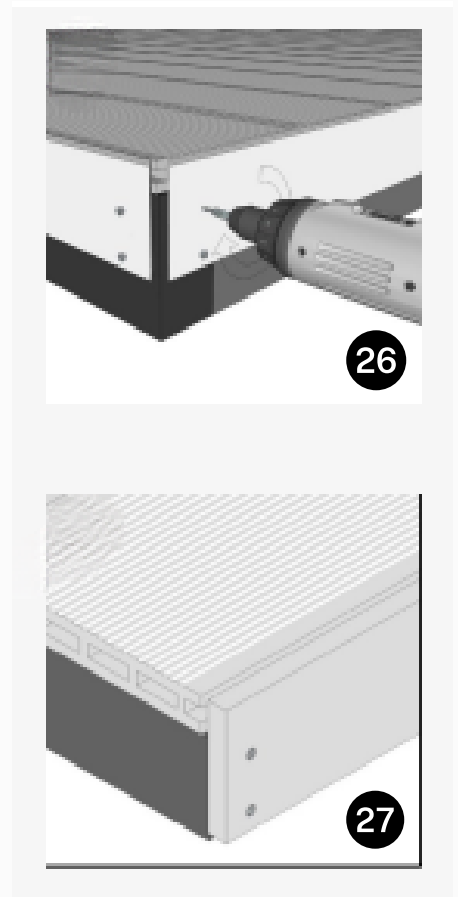
1.
Line up your fascia board on the side or underside of your deck board to create a flush 90-degree angle. **(fig. 27)**

2.
Pre-drill countersunk pilot holes through the fascia board to avoid material splitting. **(fig. 26)**

3.
Fix the top of the board in place with 65mm (2 1/2in) countersunk screws, screwing into the substructure:

- Fascia boards should only be screwed in place.
- It is not recommended to attach the boards using adhesive glue.

4.
Ensure you have left appropriate expansion gaps where the fascia board ends meet.



CORNER TRIM INSTALLATION

Eco Deck™ Corner Trim can be used with Eco Deck™ fascia and deck boards to cover exposed board sides and substructure. This will result in visible screws.

1.
If installing around corners, measure the required amount of Eco Deck™ corner trim, cut down to size, and cut the ends at 45° angles. **(fig. 28)**

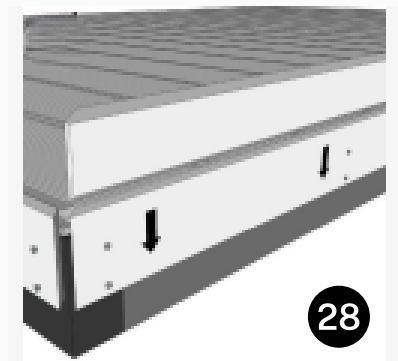
2.
Cover the deck edge with corner trim and attach it with screws to the substructure.

3.
Pre-drill 4mm (1/8in) countersunk pilot holes. **(fig. 29)**

4.
Fix with 50mm (2in) countersunk screws. **(fig. 29)**

- Do not overdrive screws when through composite products; finish tightening by hand.
- Corner trims should only be screwed into the deck substructure.
- It is not recommended to attach the trim using glue.

5.
Ensure you have left appropriate expansion gaps where corner trim ends meet. **(fig. 29)**



INSTALLATION ON STEPS & STAIR

Before you start

The rise of steps must be between 125 mm and 200 mm (4- 7/8in and 7- 7/8 in) and uniform. Riser height is measured vertically from the surface of one tread to the surface of an adjacent tread or landing. The run of steps must be between 255 mm to 355mm (10 to 14in) and uniform. **(fig. 30)**

Plan your step area, taking into account the deck board and riser width and depth, when designing the tread and rise dimensions.

The customer is responsible for ensuring the installation meets the minimum and maximum step rise, step depth, and pitch required, according to the local building codes.

Step Nosing: Edge Boards

Eco Deck™ edge boards can create the perfect flush finish for steps.

- Install the edge boards following the instructions of the Eco Deck™ edge board installation guide for either the Prestige or Advanced range.
- For heavy footfall traffic on stairs, securing through the edge board face using 75mm (3in) colour-matching screws is recommended. Plugs can also be used to provide an invisible finish.

Installing Edge Boards as Step Nosing

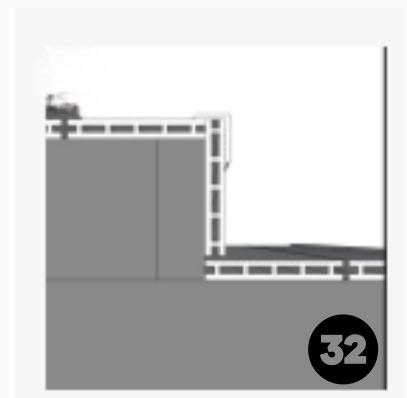
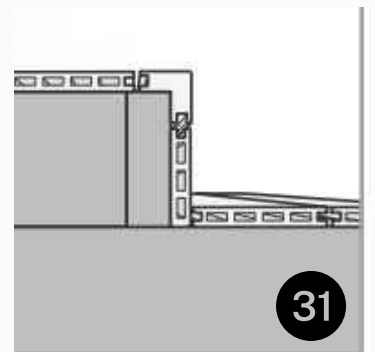
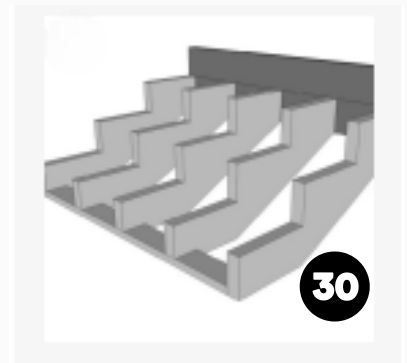
Prestige edge boards can be used to create the perfect flush finish for steps **(fig 31)**.

- Install the edge boards and decking step treads (see pages 15 and 16, Edge Board Installation).

Step Nosing: Corner Trims

You can install corner trim using deck boards for the riser and step. **(fig. 32)**

- Ensure to pre-drill 4mm countersunk pilot holes and do not overdrive the screw.



MAINTENANCE & CARE

Eco Deck™ products are low maintenance; however, with some cleaning, you can help keep your outside space looking beautiful for longer. Please note that although Eco Deck™ products are relatively colour stable, there may be some initial lightening of the Prestige range products as the product naturally weathers over the first 8-10 weeks.

Dirt & Grime

Maintaining a clean, dry surface is the best method for combating dirt, grime, and mildew build-up, where a periodic cleaning is all that may be required. Even though Eco Deck™ products are formulated to inhibit mildew growth and staining, mildew stains can occur where moisture, dirt, or pollen are present.

Painting & Staining

Eco Deck™ does not guarantee or recommend anything applied to Eco Deck™ products. However, it is still possible for Eco Deck™ products to be painted or stained. Wait until the product has completed its weathering process and ensure you have a clean and dry surface before applying any paint or stain. Always use products according to the manufacturer's application instructions.

Spot Stains

Many stains can be cleaned with soap, household de-greasing agents, and warm water. Scrub and soak the affected area as soon as the stain occurs to ensure the best results, then rinse off with warm water. We recommend using a composite-specific cleaner for more stubborn stains for more effective stain removal. Cleaned areas may lighten, which can require 8-10 weeks of exposure to the sun to match the remaining product, depending on location and specific application. Due to the wood content, composite products, like any wood-based product, may experience a naturally occurring process called extractive bleeding (known as tea staining). This process can cause a temporary discoloration that will fade with time.

Cleaning

With the proper safety precautions, Eco Deck™ products can be washed with soapy water, a soft-bristle brush, or a power washer (recommended max. 1500psi pressure). You should ensure to spray in the direction of the grain of the boards and use a fan tip nozzle (min. 6 inches from the surface) along with the proper cleaning product.