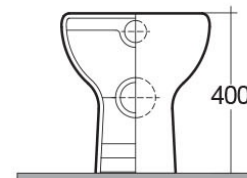
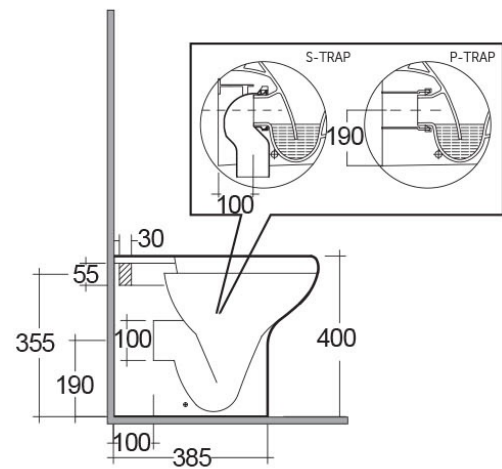
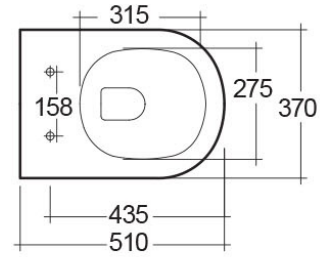


RAK-COMPACT

Back to Wall | Water Closet

RAK
CERAMICS



Technical specifications

Dimensions: 510 x 370 mm

Weight: 21 Kg

Color: Alpine White

Trap type: P Trap & S Trap

Trapway type: Concealed

Seat cover options: Urea

Bowl shape: Round

Dual flush: yes

Suites: [RAK-COMPACT](#)

Code **Name**

CO17AWHA COMPACT WATER CLOSET BACK TO WALL P|S-TRAP 51CM

Dimensions: All dimensions in mm tolerance $\pm 5\%$ for below 200mm and $\pm 3\%$ for above 200mm.

Note: Due to a continuing development programme to improve design and performance, the manufacturer reserves all rights to vary specifications without prior information.

Please note accessories are for photographic use only.