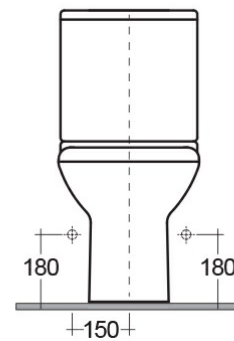
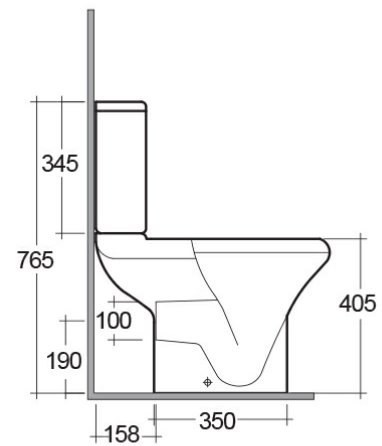
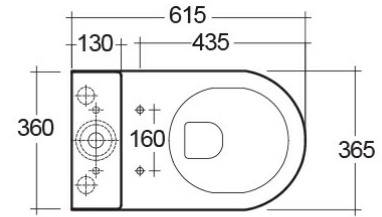


RAK-COMPACT

Close Coupled | Water Closet

RAK
CERAMICS



Technical specifications

Dimensions: 615 x 365 mm

Weight: 33 Kg

Color: Alpine White

Trap type: P Trap

Trapway type: Concealed

Seat cover options: ABS & Urea

Bowl shape: Round

Soft close: yes

Dual flush: yes

Suites: [RAK-COMPACT](#)

Code	Name
------	------

CO11AWHA	COMPACT WATER CLOSET CLOSE COUPLED BACK OPEN P-TRAP 61CM
----------	---

CO10AWHA	COMPACT WATER CLOSET TANK
----------	---------------------------

Dimensions: All dimensions in mm tolerance $\pm 5\%$ for below 200mm and $\pm 3\%$ for above 200mm.

Note: Due to a continuing development programme to improve design and performance, the manufacturer reserves all rights to vary specifications without prior information.

Please note accessories are for photographic use only.