

CONSOLE

ALEXANDRA 845mm Console Basin with ceramic legs

RAK
CERAMICS



SPECIFICATION/CODE REFERENCE

Please use the reference codes shown below:

CONSMAL1
CONSMAL2
CONSMAL3
ARCRLEG

SIZE 845 x 575 x 870 mm

TAP HOLE Single, Two or Three tapholes

OVER FLOW Over flow built in

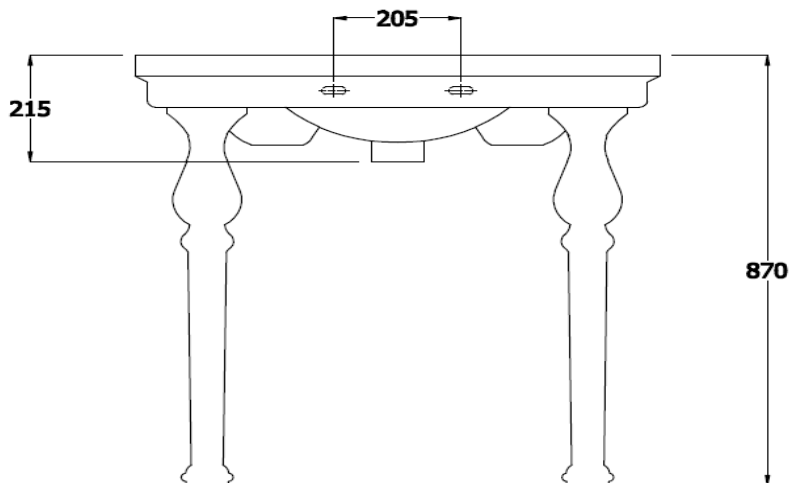
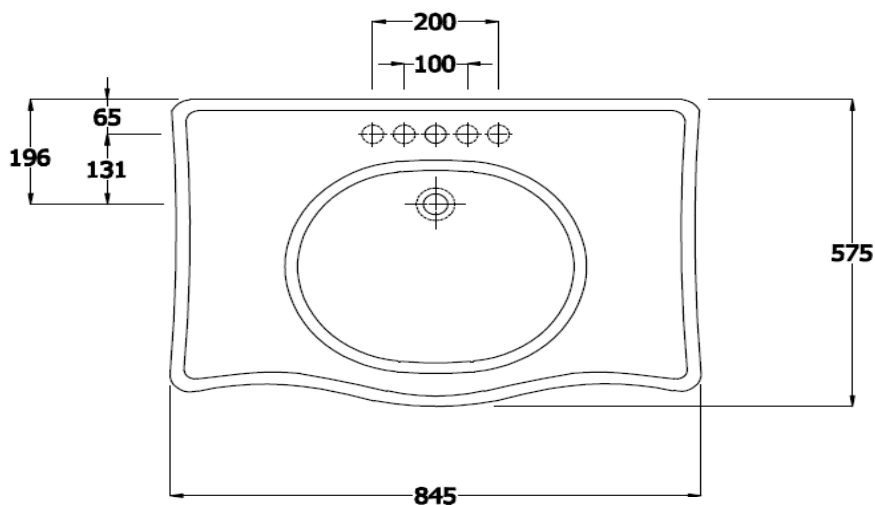
MATERIAL Vitreous China

WEIGHT 38.00 kg

COLOURS White

FIXING Fisher fittings supplied for basin

WARRANTY 25 Years



Dimensions: All measurements are in millimeters and are subject to normal manufacturing variations.

Note: Due to a continuing development programme to improve design and performance, the manufacturer reserves all rights to vary specifications without prior informations. Please note accessories are for photographic use only.