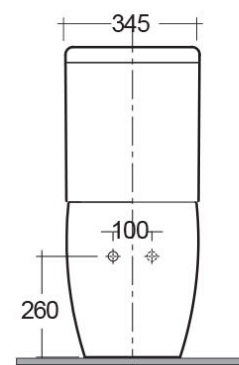
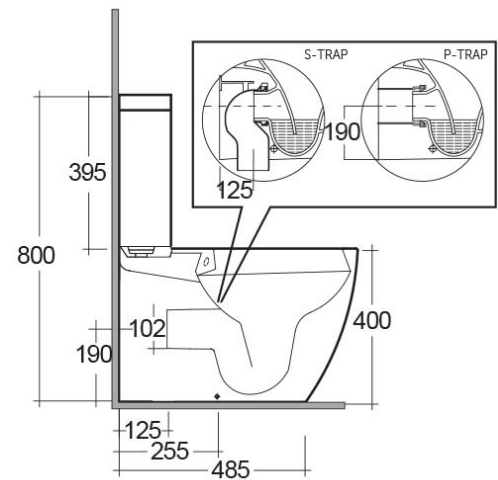
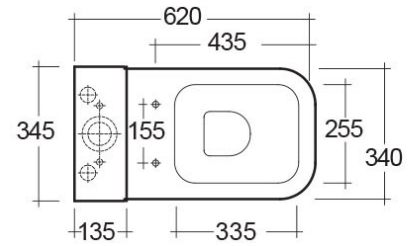


RAK-METROPOLITAN

Close Coupled | Water Closet

RAK
CERAMICS



Technical specifications

Dimensions: 620 x 340 mm

Weight: 44 Kg

Color: Alpine White, Ivory

Trap type: P Trap & S Trap

Trapway type: Concealed

Seat cover options: ABS & Urea

Bowl shape: Rounded Rectangle

Soft close: yes

Dual flush: yes

Suites: [RAK-METROPOLITAN](#)

Code Name

MP29AWHA METROPOLITAN WATER CLOSET RIMLESS
CLOSE COUPLED BACK TO WALL P/S-TRAP
62CM

MP20AWHA METROPOLITAN WATER CLOSET TANK

Dimensions: All dimensions in mm tolerance $\pm 5\%$ for below 200mm and $\pm 3\%$ for above 200mm.

Note: Due to a continuing development programme to improve design and performance, the manufacturer reserves all rights to vary specifications without prior information.

Please note accessories are for photographic use only.