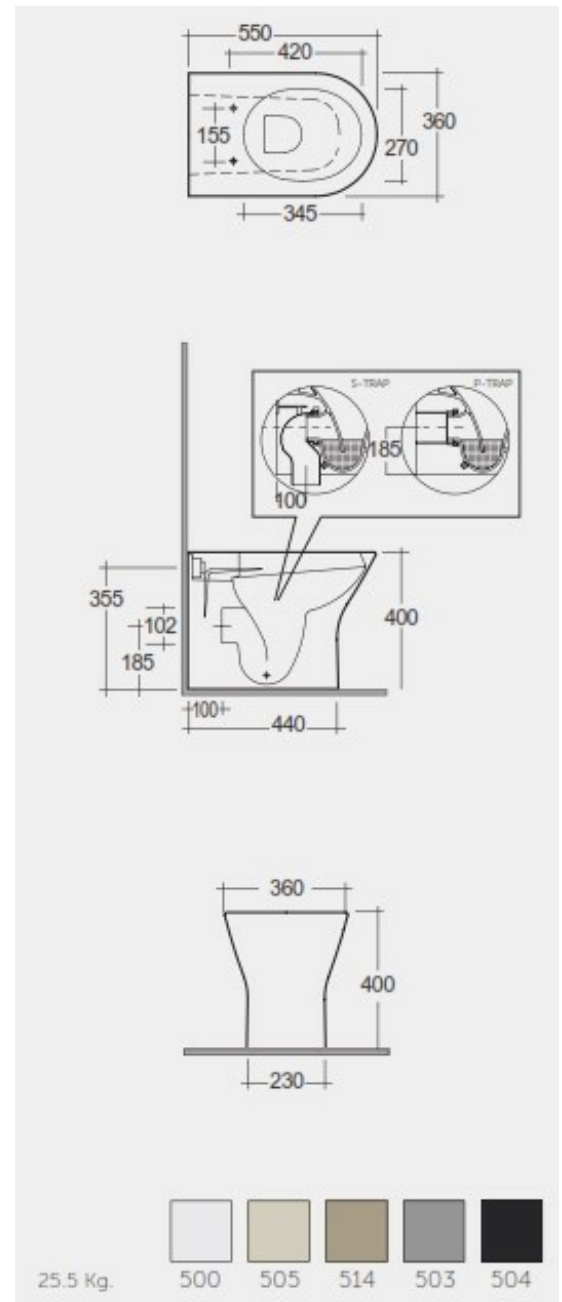


RAK-FEELING - RST19500A - MATT WHITE

Back to Wall | Water Closet

RAK
CERAMICS



Technical specifications

Dimensions: 550 x 360 mm

Weight: 25.5 Kg

Color: MATT WHITE - 500

Trap type: P Trap & S Trap

Trapway type: Concealed

Seat cover options: Urea

Bowl shape: Compact Oval

Suites: [RAK-FEELING WC'S & BIDETS](#)

Code Name

RST19500A RAK-FEELING RIMLESS BACK TO WALL WATER CLOSET 55 CM P-TRAP & S-TRAP MATT WHITE

Dimensions: All dimensions in mm tolerance $\pm 5\%$ for below 200mm and $\pm 3\%$ for above 200mm.

Note: Due to a continuing development programme to improve design and performance, the manufacturer reserves all rights to vary specifications without prior information.

Please note accessories are for photographic use only.