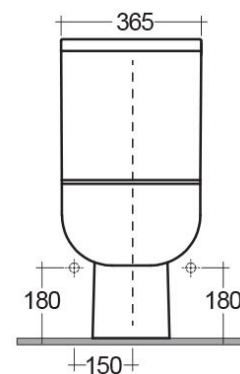
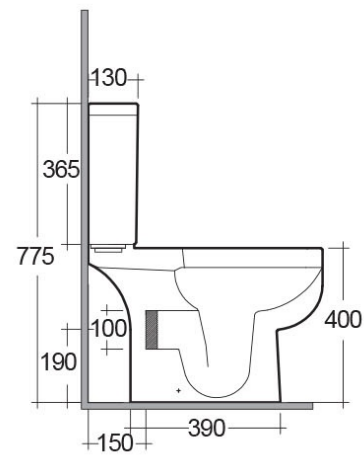
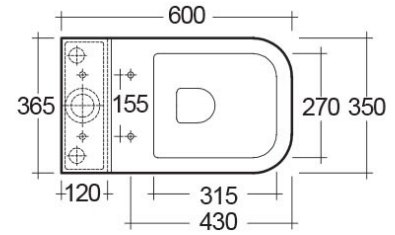


RAK-SERIES 600

Close Coupled | Water Closet

RAK
CERAMICS



Technical specifications

Dimensions: 600 x 350 mm

Weight: 37 Kg

Color: Alpine White

Trap type: P Trap

Trapway type: Concealed

Seat cover options: Urea

Bowl shape: Rounded Rectangle

Soft close: yes

Dual flush: yes

Suites: [RAK-SERIES 600](#)

Code	Name
------	------

SE11AWHA	SERIES 600 WATER CLOSET CLOSE COUPLED P-TRAP 60CM
----------	---

SE10AWHA	SERIES 600 WATER CLOSET TANK
----------	------------------------------

Dimensions: All dimensions in mm tolerance $\pm 5\%$ for below 200mm and $\pm 3\%$ for above 200mm.

Note: Due to a continuing development programme to improve design and performance, the manufacturer reserves all rights to vary specifications without prior information.

Please note accessories are for photographic use only.