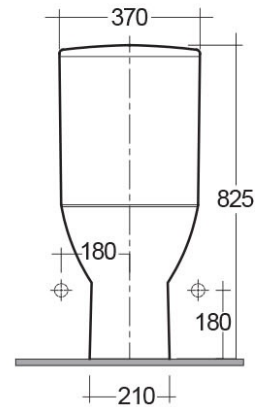
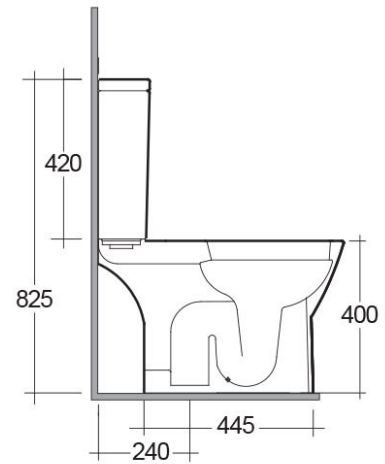
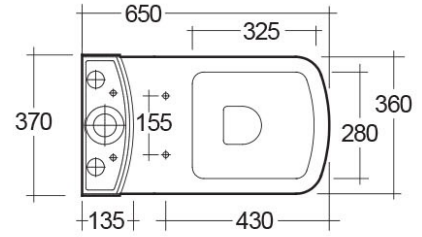


RAK-SUMMIT

Close Coupled | Water Closet

RAK
CERAMICS



Technical specifications

Dimensions: 650 x 360 mm

Weight: 39 Kg

Color: Alpine White

Trap type: S Trap

Trapway type: Concealed

Seat cover options: Urea

Bowl shape: Rectangle

Soft close: yes

Dual flush: yes

Suites: [RAK-SUMMIT](#)

Code	Name
------	------

SM03AWHA	SUMMIT WATER CLOSET CLOSE COUPLED S-TRAP 65CM
----------	---

SM10AWHA	SUMMIT WATER CLOSET TANK
----------	--------------------------

Dimensions: All dimensions in mm tolerance $\pm 5\%$ for below 200mm and $\pm 3\%$ for above 200mm.

Note: Due to a continuing development programme to improve design and performance, the manufacturer reserves all rights to vary specifications without prior information.

Please note accessories are for photographic use only.