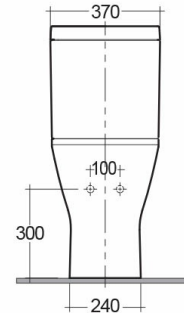
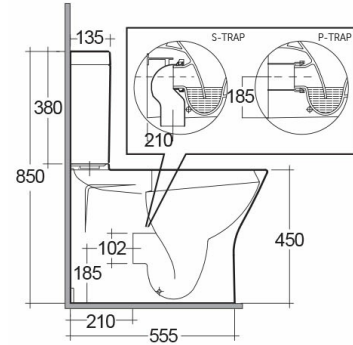
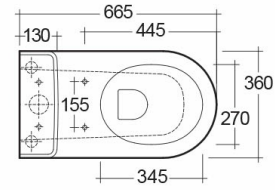


RAK-RESORT-COMFORT HEIGHT 45CM

Close Coupled | Water Closet

RAK
CERAMICS



Technical specifications

Dimensions:	665 x 360 mm
Weight:	44 Kg
Color:	Alpine White
Trap type:	P Trap & S Trap
Trapway type:	Concealed
Seat cover options:	Urea
Bowl shape:	Oval
Soft close:	yes
Quick remove seat cover:	yes
Dual flush:	yes
Suites:	RAK-RESORT

Code	Name
RST16AWHA	RESORT WATER CLOSET RIMLESS COMFORT HEIGHT 45CM CLOSE COUPLED BACK TO WALL P S TRAP 65CM
RST10AWHA	RESORT WATER CLOSET TANK

Dimensions: All dimensions in mm. Tolerance of vitreous china & fireclay items: $\pm 5\%$ for below 200mm and $\pm 3\%$ for above 200mm; for all other items tolerance $\pm 1\%$. Note: Due to a continuing development program to improve design and performance, the manufacturer reserves all rights to vary specifications without prior information. Please note accessories are for photographic use only.