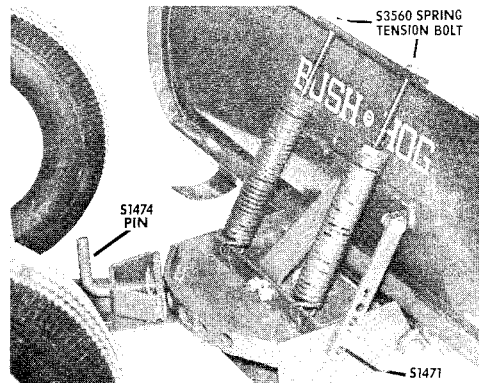
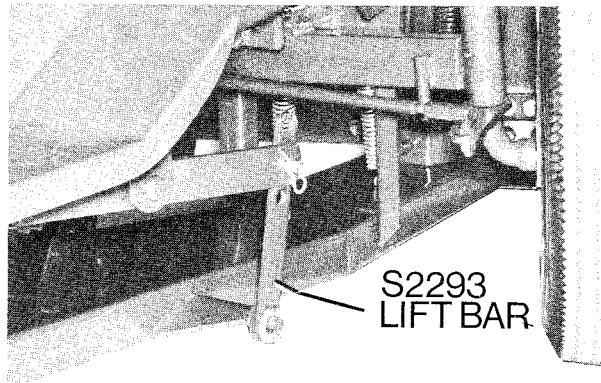
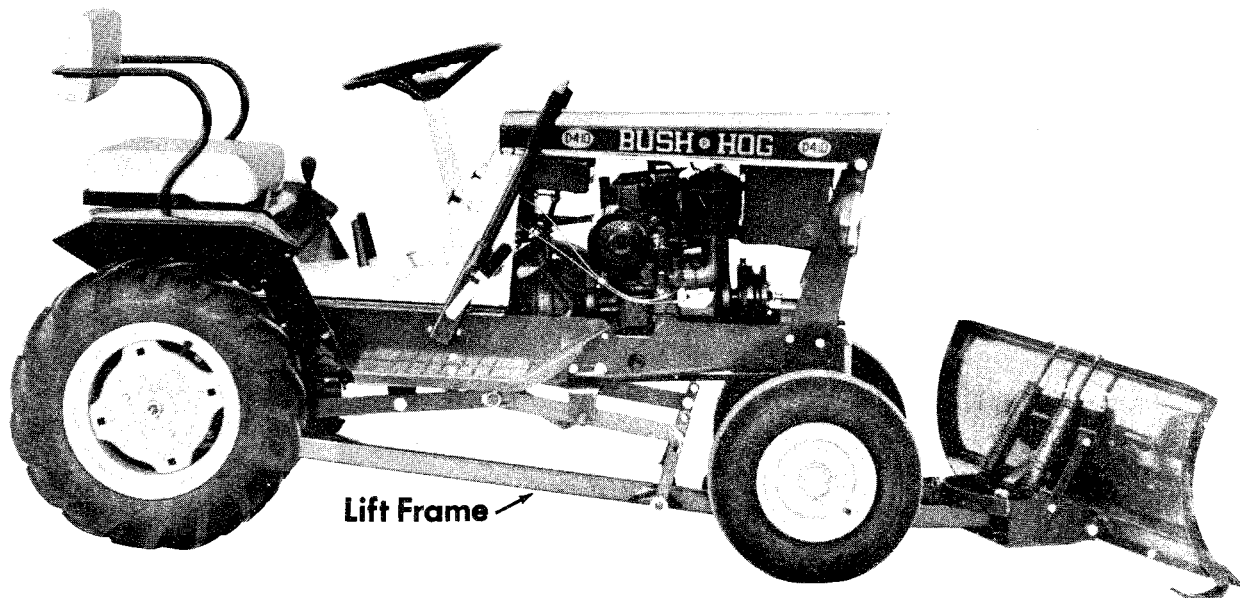


## FRONT BLADES FB-40A and FB-48

### ASSEMBLY OF BLADE TO TRACTOR



1. Drive the Tractor over the Frame (S1489) and attach to the Rear Axle Clamp Bracket (S2319) with bolts, lockwashers and nuts.

2. Remove the Quick Hitch Bracket Angles from the front of the tractor, and replace with Guide Angles (S1479-1) and (S1479-2) using capscrews and lockwashers. Attach Springs (S1490) between the Lift Frame (S1489) and Guide Angles (S1479-1) and (S1479-2).

3. Attach Blade Assembly to the Lift Frame with Capscrew (19002), Washer (S1468) and Locknut (15591).

4. Attach Lift Bars (S2293) to Tractor Lift with Pin (S980) and Presto Pin (19433).

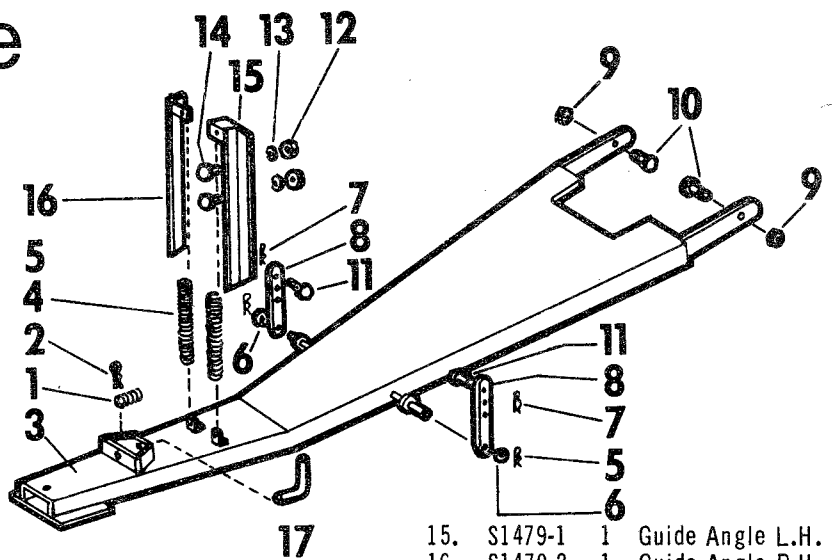
5. Remove both Straps (S1471) from the Blade Assembly. This will enable the blade to pivot over center and assure driver safety. This Strap should be used only in heavy earth moving. If not used cautiously, one could incur damage to the tractor or blade.

6. The Blade will pivot up to 25 degrees left or right by pulling back the Pin (S1474).

7. To adjust the Spring Trip, tighten or loosen the Spring Tension Bolt (S3560). If the blade does not trip with ease, loosen the Spring Tension Bolt. Tighten the Spring Tension Bolt if the blade trips more often than is necessary or desired.

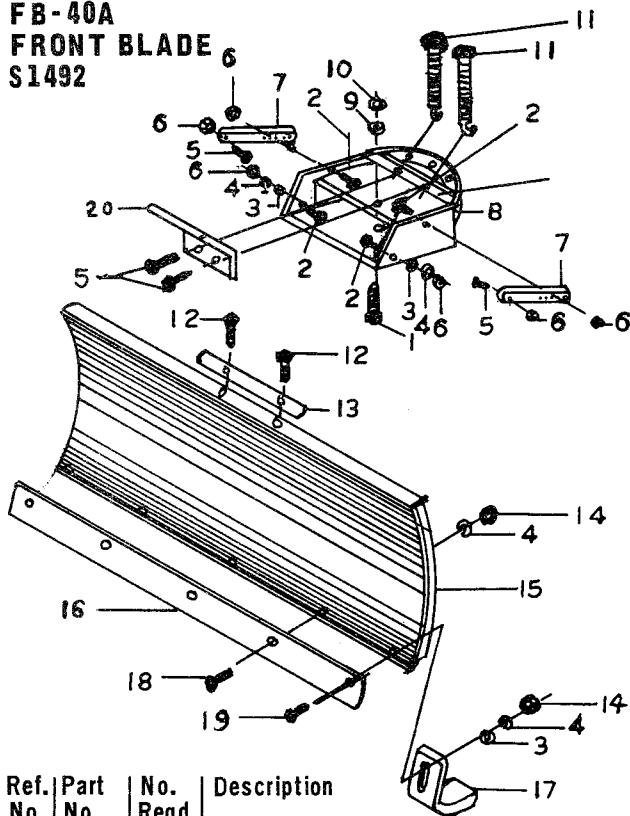
# S1494 Lift Frame Assembly

Ref. No.	Part No.	No. Reqd.	Description
1.	S1490	1	Spring
2.	15981	1	Cotter Pin 3/32 x 1 1/2"
3.	S1489	1	Lift Frame Weldment
4.	S1364	2	Spring
5.	296	2	Cotter Pin
6.	936	2	Flatwasher
7.	19409	2	Presto Pin
8.	S2293	2	Lift Bar
9.	15585	2	Locknut 1/2"
10.	15093	2	Bolt 1/2" x 1 1/2"
11.	S980	2	Pin
12.	15517	4	Nut 5/16-18UNC
13.	15801	4	Lockwasher 5/16"
14.	1239	4	Bolt 5/16-18UNC x 1"



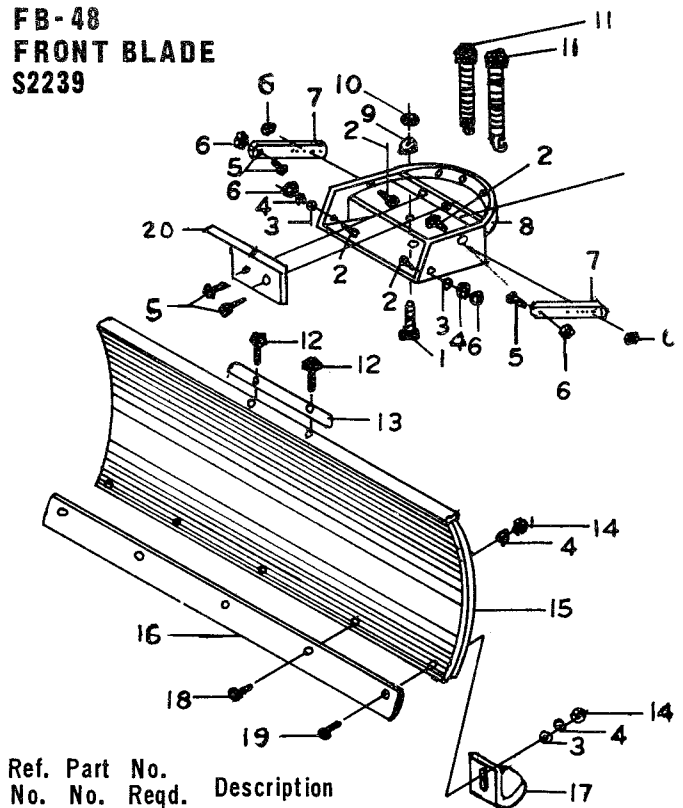
15.	S1479-1	1	Guide Angle L.H.
16.	S1479-2	1	Guide Angle R.H.
17.	S1474	1	Stop Pin

## FB-40A FRONT BLADE S1492



Ref. No.	Part No.	No. Reqd.	Description
1.	19002	1	Bolt 3/4-10UNC x 3 1/2"
2.	15066	4	Bolt 3/8-16UNC x 1"
3.	741	2	Flatwasher 3/8"
4.	15802	2	Lockwasher 3/8"
5.	19051	2	Bolt 3/8-16UNC x 1 1/4"
6.	15527	6	Locknut 3/8-16UNC
7.	S1471	2	Adjusting Strap
8.	S1487	1	Pivot Bracket
9.	S1468	1	Washer 2 1/4 O.D. x 3/4 I.D.
10.	15591	1	Locknut 3/4-10UNC
11.	S3559	2	Lift Spring Assy.
12.	S3560	2	Spring Tension Bolt
13.	S3476	1	Blade Support
14.	15582	5	Nut 3/8-16UNC
15.	S1491	1	Blade Frame
16.	S966	1	Blade
17.	S2241	2	Skid
18.	15448	3	Carriage Bolt
19.	19418	2	Carriage Bolt
20.	S3475	1	Pivot Stop

## FB-48 FRONT BLADE S2239



Ref. No.	Part No.	No. Reqd.	Description
1.	19002	1	Bolt 3/4-10UNC x 3 1/2"
2.	15066	4	Bolt 3/8-16UNC x 1"
3.	741	2	Flatwasher 3/8"
4.	15802	2	Lockwasher 3/8"
5.	19051	2	Bolt 3/8-16UNC x 1 1/4"
6.	15527	6	Locknut 3/8-16UNC
7.	S1471	2	Adjusting Strap
8.	S1487	1	Pivot Bracket
9.	S1468	1	Washer 2 1/4 O.D. - 3/4 I.D.
10.	15591	1	Locknut 3/4-10UNC
11.	S3559	2	Lift Spring Assy.
12.	S3560	2	Spring Tension Bolt
13.	S3476	1	Blade Support
14.	15582	6	Nut 3/8-16UNC
15.	S2204	1	Blade Frame
16.	S2238	1	Blade
17.	S2241	2	Skid
18.	15448	4	Carriage Bolt
19.	19418	2	Carriage Bolt
20.	S3475	1	Pivot Stop