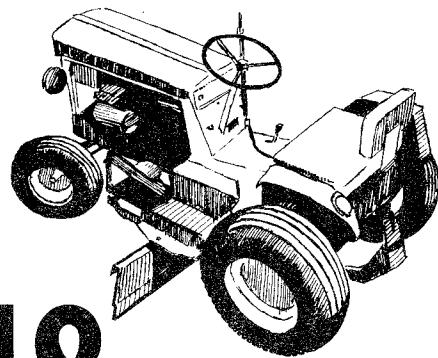
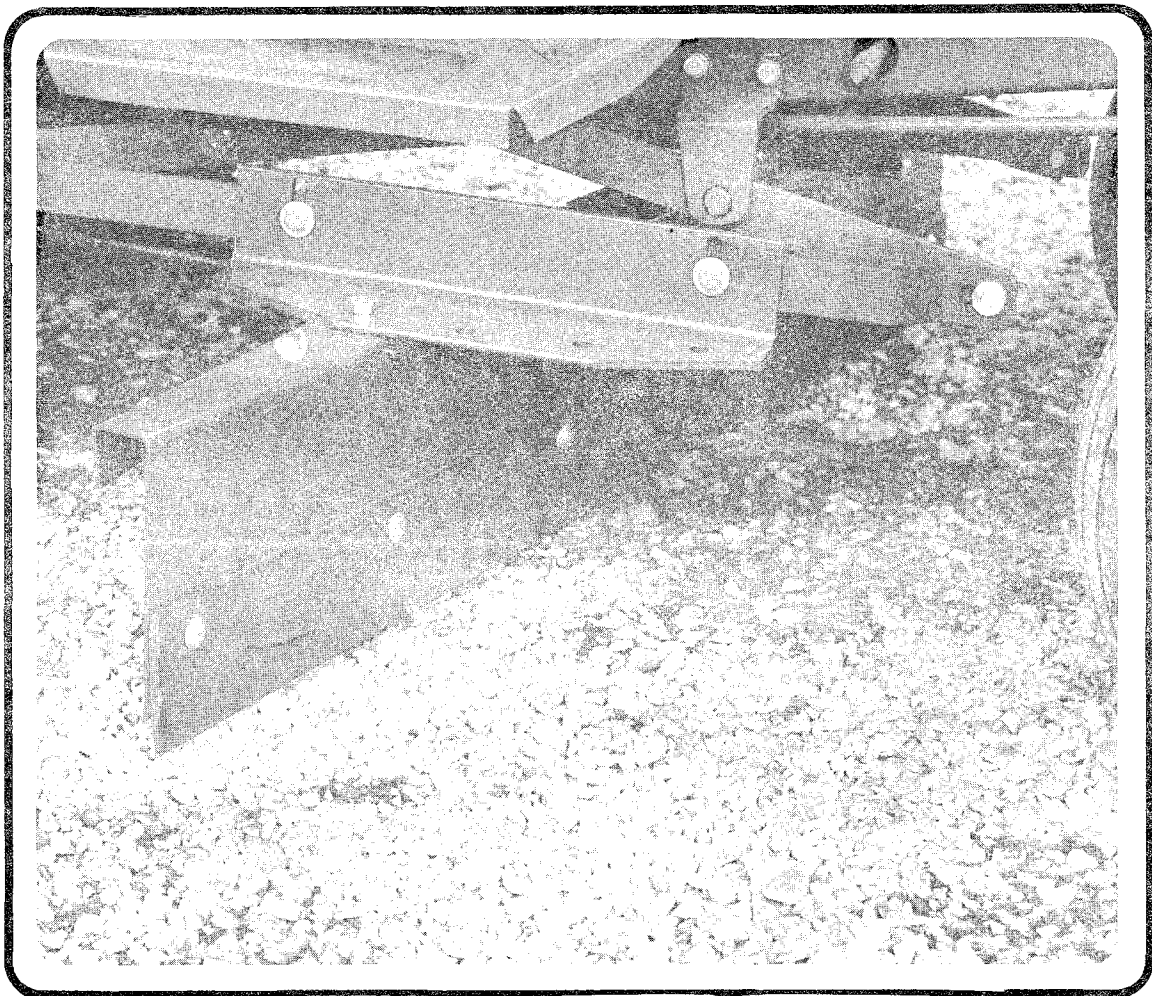


BUSH HOG

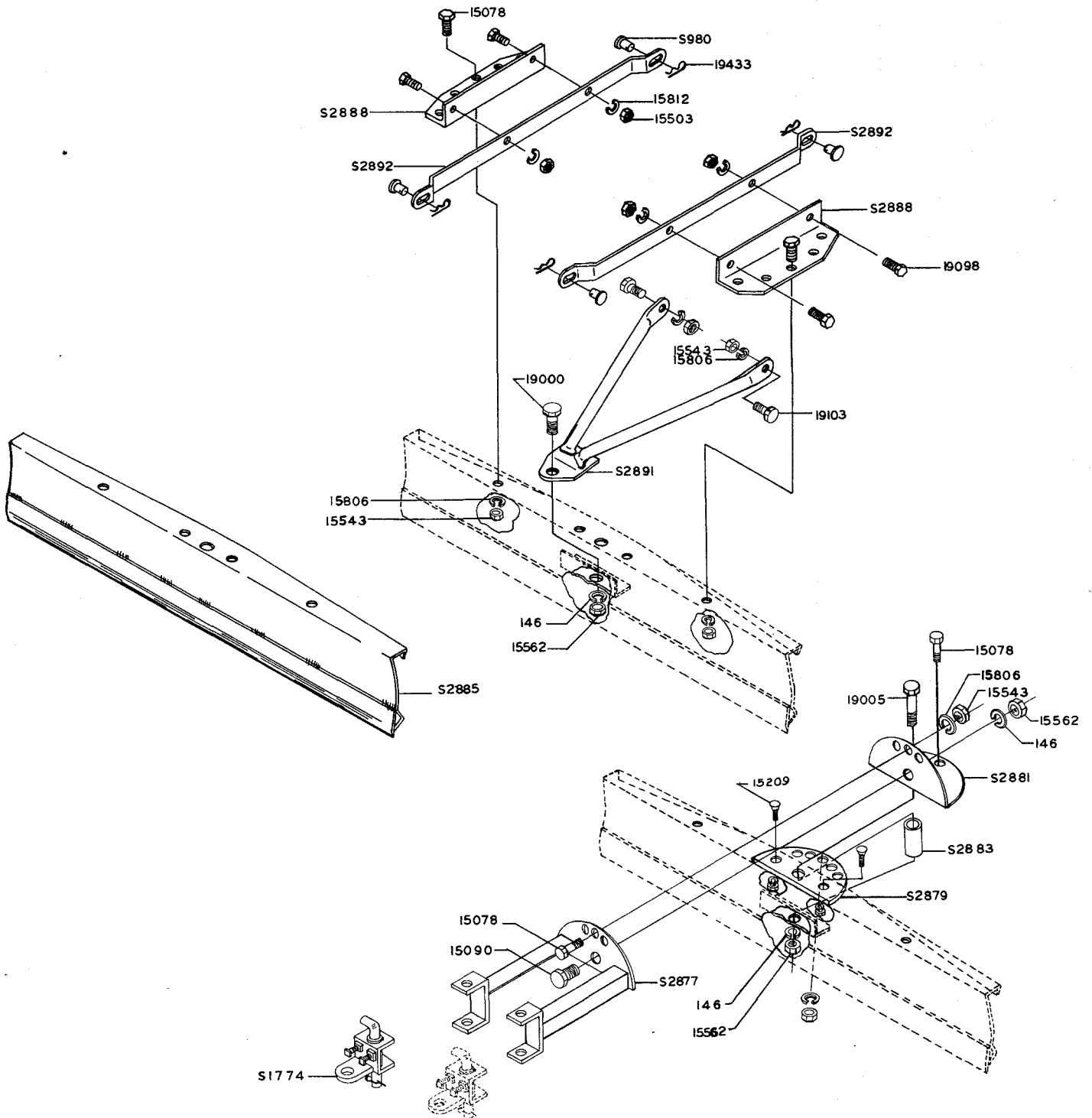


GRADER BLADE GB-48

MAY, 1967



SHAW MFG. CO. GALESBURG, KANSAS
DIVISION OF BUSH HOG, INC.



PARTS LIST GB-48

<u>PART NO.</u>	<u>DESCRIPTION</u>	<u>QTY.</u>
S 980	Pin, Connecting	4
S1774	Hitch Assembly	1
S2877	Mounting Frame Welded Assy	1
S2879	Adjustment Plate	1
S2881	Pivot Plate Welded Assy	1
S2883	Bushing	1
S2885	Blade Welded Assy	1
S2888	Adjustment Angle	2
S2891	Fork Brace Weldment	1
S2892	Lift Strap	2
146	Lockwasher 3/4 Std.	3
15078	Capscrew 1/2-13 UNC x 1	4
15090	Capscrew 3/4-10 UNC x 1-1/4	1
15209	Plow Bolt 1/2-13 UNC x 1	2
15503	Hex Nut 3/8-16 UNC	4
15543	Nut 1/2-13 UNC	8
15562	Nut 3/4-10 UNC	3
15806	Lockwasher 1/2 Std.	8
15812	Lockwasher 3/8 Med.	4
19000	Capscrew 3/4-10 UNC x 2	1
19005	Capscrew 3/4-10 UNC x 5	1
19098	Capscrew 3/8-16 UNC x 1-1/4	4
19103	Capscrew 1/2-13 UNC x 1-1/4	2
19433	Presto Pin	4

BUSH HOG

INCORPORATED P. O. BOX 1039 SELMA, ALABAMA

