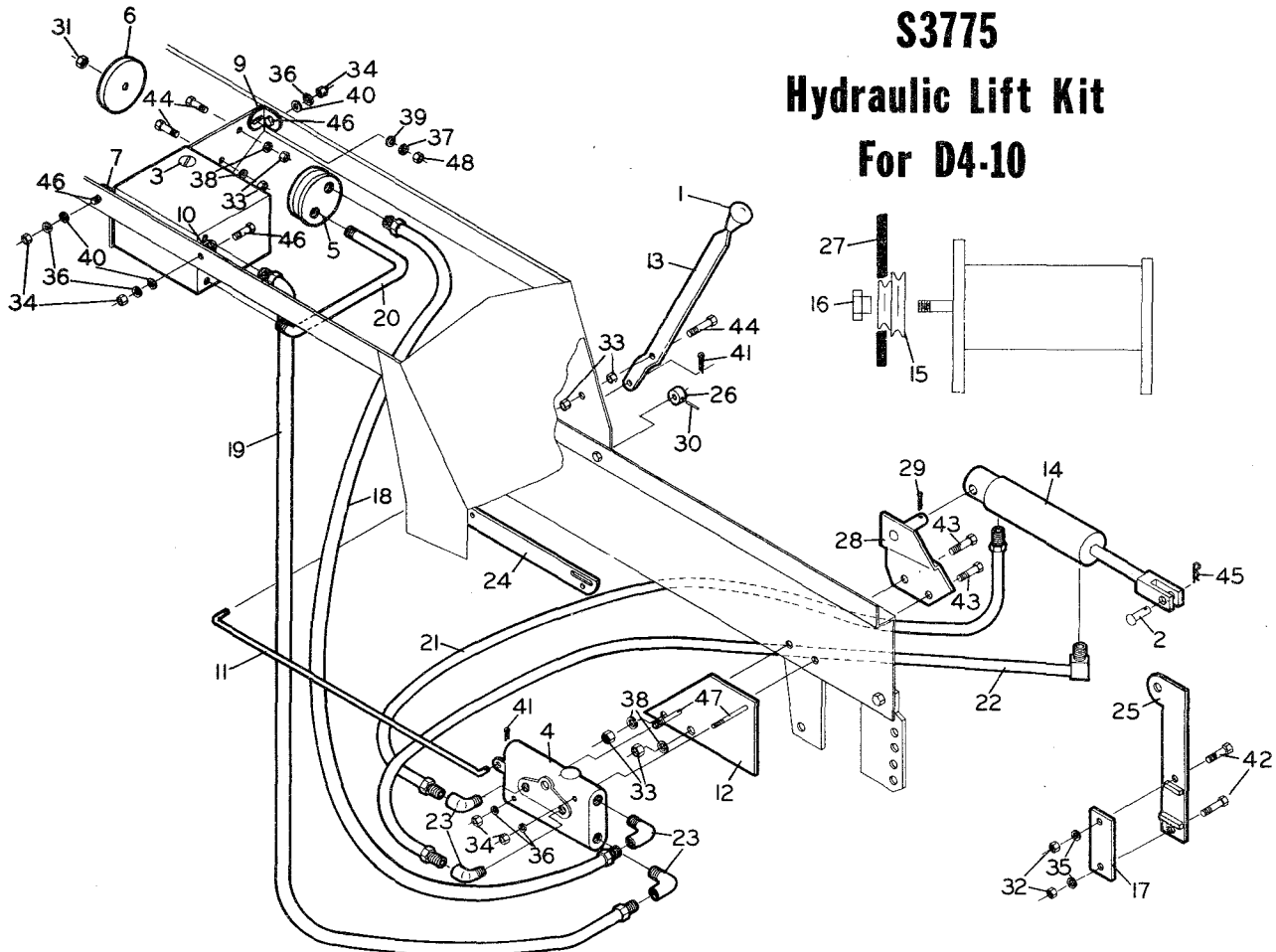


S3775 Hydraulic Lift Kit For D4-10



Ref. No.	Part No.	Qty.	Description	Ref. No.	Part No.	Qty.	Description
1	S586	1	Knob	25	S3840	1	Cylinder Lift Bar
2	S1960	1	Pin	26	S3847	1	Shaft Stop
3	S2125	1	1/2" Pipe Plug	27	S3855	1	Belt
4	S3663	1	Control Valve	28	S3864	1	Cylinder Mount Weldment
5	S3664	1	Pump	29	295	1	Cotter Pin 1/8" x 1 1/4"
6	S3715	1	Pulley	30	15389	1	Roll Pin 1/4" x 1"
7	S3744	1	Angle Left Front (Long)	31	15501	1	Hex Nut 5/16"-24UNF
8	S3753	1	Tank Weldment	32	15508	2	Hex Nut 1/2"-13UNC
9	S3755	1	Angle Right (Short)	33	15539	5	Hex Nut 3/8"-16UNC
10	S3756	1	Angle Left Rear (Notched)	34	15552	5	Hex Nut 1/4"-20UNC
11	S3757	1	Control Rod	35	15806	2	Lockwasher 1/2"
12	S3758	1	Control Valve Mount	36	15807	5	Lockwasher 1/4"
13	S3761	1	Control Lever	37	15808	3	Lockwasher 5/16"
14	S3767	1	Cylinder	38	15812	4	Lockwasher 3/8"
15	S3790	1	Generator Pulley	39	15907	3	Flatwasher 5/16"
16	S3799	1	Generator Nut	40	15911	3	Flatwasher 1/4"
17	S3818	1	Clamp	41	15978	2	Cotter Pin 3/32" x 3/4"
18	S3820	1	Hose 64 5/8" with Spring Guard	42	19092	2	Capscrew 1/2"-13UNC x 2"
19	S3821	1	Hose 52 1/2"	43	19106	2	Capscrew 3/8"-16UNC x 1 1/2"
20	S3822	1	Hose 11" with Spring Guard	44	19117	3	Capscrew 3/8"-16UNC x 1"
21	S3823	1	Hose 11 1/2"	45	19433	1	Presto Pin
22	S3824	1	Hose 19"	46	20008	3	Capscrew 1/4"-20UNC x 1"
23	S3825	4	Adapters	47	20015	2	Capscrew 1/4"-20UNC x 2 1/4"
24	S3834	1	Floating Lift Bar	48	15528	3	Hex Nut 5/16"-18UNC

Installation Instructions For S3775 Hydraulic Lift Kit For D4-10

1. Drill 9/32" hole in right side of Hood Frame 4 3/4" back from Rear Battery Box Bolt (as illustrated on parts sheet). Drill (2) 9/32" holes in left side of Hood Frame 2 1/4" back from Rear Battery Box Bolt, and the second hole 8 3/4" on center from the last hole just drilled (as illustrated on parts sheet).

NOTE!! These Holes are to be drilled in the center of the Hood Frame Bars.

2. Attach Angles to Tank (S3753) with the notched Angle (S3756) to the left rear, the shortest of the two remaining Angles (S3755) to the right front, and the remaining Angle (S3744) to the left front with flatwashers (15907), Lockwashers (15808), and hex nuts (15517).
3. Attach Pump (S3664) to Tank (S3753) with Inlet nearest to Tank, and fasten with capscrew (19117), lockwasher (15812), and hex nut (15539). Attach Pulley (S3715).
4. Attach Hose (S3822) between Pump (S3664) Inlet and Bottom Boss on rear of Tank (S3753).
5. Attach Tank Unit in tractor (Hood Frame) using capscrews (15389), flatwashers (15911), lockwashers (15807), and hex nuts (15552).
6. Remove two front capscrews holding Transaxle Mount (S2310-2) on right side of tractor. Replace with capscrews (19106) also attaching Cylinder Mount (S3864).
7. Attach Control Valve (S3663) to Control Valve Mount (S3758) with capscrews (20015), lockwashers (15807), and hex nuts (15552). Attach Adapters (S3825) to all four openings with "O" Rings toward Valve (as illustrated on parts sheet).
8. Attach Control Valve Mount to same capscrews as Cylinder Mount (inside of frame) with lockwashers (15812), and hex nuts (15539).
9. Remove Lift Lever and Quadrant from tractor. Attach lever (S3761) to Quadrant Mount Hole in dash with offset recessing to inside of frame (as illustrated on parts sheet). Pin Shaft Stop where lever was removed.
10. Attach Control Rod (S3757) between Control Valve (S3663) and lever (S3761) with cotter pins (15978).
11. Thread the two longest hoses (S3820) and (S3821) along the left side of the gas tank, under the Inspection Cover, above the Steering and Lift Shaft, across the top of the Transaxle, and fasten connections (as illustrated on parts sheet).
12. Attach Cylinder to mount with cotter pin (295) pointing connection holes toward the ground. Attach hoses (S3823) and (S3824) as illustrated on parts sheet.
13. Remove Pulley from Starter-Generator and replace with special Two Groove Pulley (S3790) and hex nut (S3799). Put Belt (S3855) around pulley (S3715) and pulley (S3790) and slide unit to the right to tighten belt and secure.
14. Attach Cylinder Lift Bar (S3840) and clamp (S3818) to drawbar directly across from the Stationary Lift Bar on the left with capscrews (19092), lockwashers (15806), hex nuts (15508).
15. Fill tank with type "A" Automatic Transmission Fluid; thus the lines must be bled at the cylinder to remove all air. Refill the tank and secure plug (S2125).
16. The Floating Lift Bar (S3834) replaces the original lift bar for the Belly Lift.