



Adjustable lighting system for work-places . Painted aluminum structure. Light source made up of 36 power LED 13W. Anodized aluminum spotlight with polycarbonate covering. Articulating arm with sphere. Switgch on the spot. Built-in LED driver. Power supply 230V 50/60Hz - 24VDC



Applications: ideal for any kind of workbenches and assembly stations.

ELECTRICAL FEATURES

| | |
|----------------------|-----------------------------------|
| Power supply | 230 V 50/60Hz - 24VDC |
| Power | 13 W |
| IEC class | I |
| Degree of protection | IP40 (Spot IP65) |
| Switch | On-off on the spot |
| Driver LED | in the lower arm - cod. SLM.A112 |
| Power cable | PVC L1,5m with Schuko plug (230V) |

OPTICAL AND MECHANICAL FEATURES

| | |
|----------------|----------------------------------|
| LED typ | minipower led |
| N° of LED | 36 |
| LED lifetime | 50.000 h |
| Brightness LED | 1400 lm - 120° @110mA |
| Light color | 5000 K - CRI75 |
| Fastening | 4 screws or optional accessories |
| Weight | 2,9 Kg ~ |

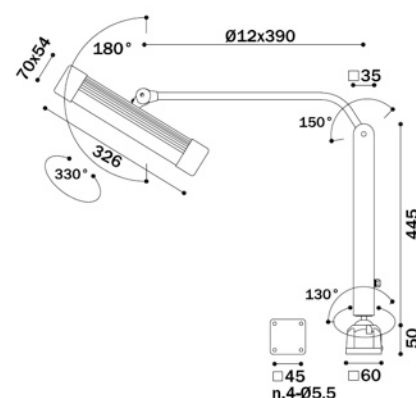
Order codes

| codes | description |
|-----------|---------------------------------|
| JOBBR.24 | LAMP JOBBR 13W 5000K 24VDC |
| JOBBR.230 | LAMP JOBBR 13W 5000K 230V |
| JOBBR.DIM | LAMP JOBBR 13W 5000K 230V + DIM |

Flow light from working surface - H700mm

| ∅ (mm) | lux |
|--------|----------|
| 100 | 1300 lux |
| 250 | 1200 lux |
| 500 | 1050 lux |
| 800 | 800 lux |
| 1000 | 650 lux |

Dimensions (mm)



Fastening accessories



Clamp04



Magnetic plate B02