



Articulated metallic arm LED lamp. Anodized aluminum structure. 3 power LED sources with 8-25-40° concentration lenses. Metallic base with fastening holes. On off switch on the spot. Available with Integrated driver system (24Vdc) or external PSU (230 V). Operating current: 500mA.



Application: lighting on machine tools, milling machines, molding machines, assembly stations and workbenches.

**ELECTRICAL FEATURES**

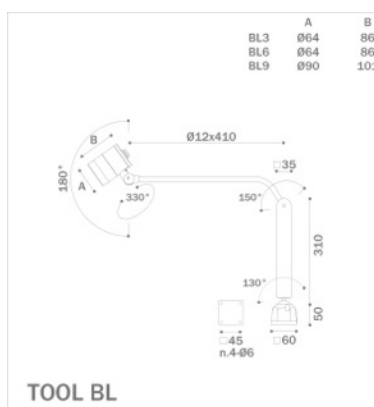
Power supply	230V/24Vdc
Current	500 mA cost dc
Power	6 W
IEC class	I (230V) - III (24Vdc)
Degree of protection	IP65
Power cable	L 1,5m - PVC with Schuko plug (230V)

**MECHANICAL AND OPTICAL FEATURES**

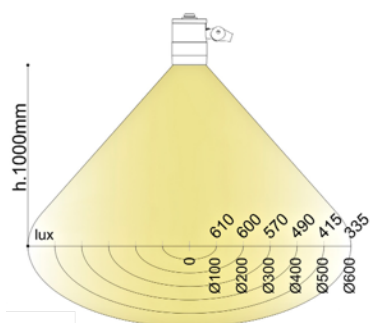
LED type	Power LED
N. LED	3
Lumen LED	450 lm
LED lifetime	50.000 h
Lens	8°-25°-40°
Covering	Tempered front glass
Light colour	5000 K - CRI75
Fastening	4 screws
Switch	Unipolar on-off
Lamp colour	Black
Weight	2,5 Kg ~

Code	Features
	Vin I out DC
BL3.08.24	24Vdc 500mA
BL3.25.24	24Vdc 500mA
BL3.40.24	24Vdc 500mA
BL3.08.230	230 V 500mA
BL3.25.230	230 V 500mA
BL3.40.230	230 V 500mA

**Dimensions (mm)**



**Flow light from working surface (lens 40°) - H.1000mm**



**Fastening accessories**



Clamp04



Magnetic base B02



Articulated metallic arm LED lamp. Anodized aluminum structure. 6 power LED sources with 8-25-40° concentration lenses. Metal base with fastening holes. On off switch on the spot. Available with Integrated driver system (24Vdc) or external PSU (230 V). Operating current: 500mA.



Application: lighting on machine tools, milling machines, molding machines, assembly stations and workbenches.

**ELECTRICAL FEATURES**

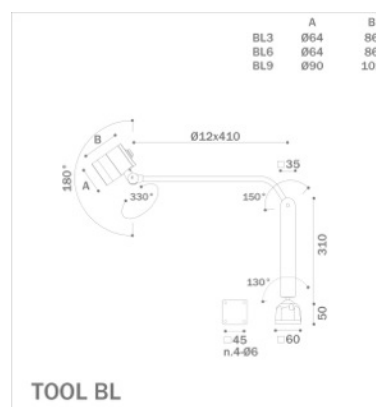
Power supply	230V/24Vdc
Current	500 mA cost dc
Power	12 W
IEC class	I (230V) - III (24Vdc)
Degree of protection	IP65
Power cable	L 1,5m - PVC with Schuko plug (230V)

**MECHANICAL AND OPTICAL FEATURES**

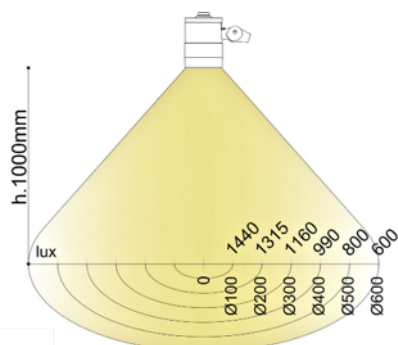
LED type	POWER LED
N. LED	6
Lumen LED	900 lm
LED lifetime	50.000 h
Lens	8°-25°-40°
Covering	Tempered front glass
Light colour	5000 K - CRI75
Fastening	4 screws
Switch	Unipolar on-off
Colour	Black
Weight	2,50 Kg ~

Code	Features
	Vin I out DC
BL6.08.24	24Vdc 500mA
BL6.25.24	24Vdc 500mA
BL6.40.24	24Vdc 500mA
BL6.08.230	230 V 500mA
BL6.25.230	230 V 500mA
BL6.40.230	230 V 500mA

**Dimensions (mm)**



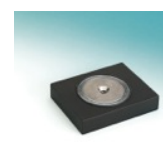
**Flow light from working surface (lens 40°) - H.1000mm**



**Fastening accessories**



Clamp04



Magnetic base B02



Articulated metallic arm LED lamp. Anodized aluminum structure. 9 power LED sources with 8-25-40° concentration lenses. Metal base with fastening holes. On off switch on the spot. Available with Integrated driver system (24Vdc) or external PSU (230 V). Operating current: 500mA.



Application: machine tools, milling machines, molding machines, assembly stations and workbenches.

**ELECTRICAL FEATURES**

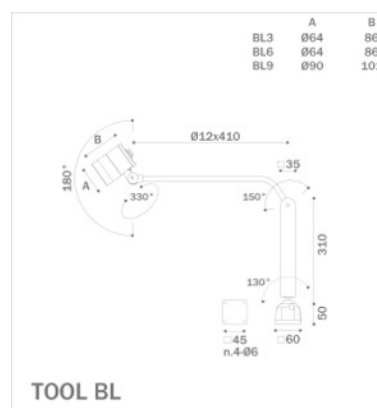
Power supply	230V/24Vdc
Current	500 mA cost dc
Power	18 W
IEC class	I (230V) - III (24Vdc)
Degree of protection	IP65
Power cable	L 1,5m - PVC with Schuko plug (230V)

**MECHANICAL AND OPTICAL FEATURES**

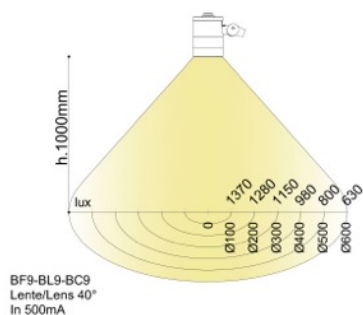
LED type	POWER LED
N. LED	9
Lumen LED	1350 lm
LED lifetime	50.000 h
Lens	8°-25°-40°
Covering	Tempered front glass
Light colour	5000 K - CRI75
Fastening	4 screws
Switch	Unipolar on-off
Colour	Black
Weight	2,80 Kg ~

Code	Features
	Vin I out DC
BL9.08.24	24Vdc 500mA
BL9.25.24	24Vdc 500mA
BL9.40.24	24Vdc 500mA
BL9.08.230	230 V 500mA
BL9.25.230	230 V 500mA
BL9.40.230	230 V 500mA

**Dimensions (mm)**



**Flow light from working surface (lens 40°) - H.1000mm**



**Fastening accessories**



Clamp04



Magnetic base B02