



Slim linear LED. Lamp for small and medium industrial machines. Solid anodized aluminum structure with protective glass 4mm depth. High-efficiency 6W multi-chip LED. I.D.S. technology for 24VDC connection. Shockproof and vibrations resistant. Two versions available 13-34W built-in/external Power supply 24VDC.

Electrical features

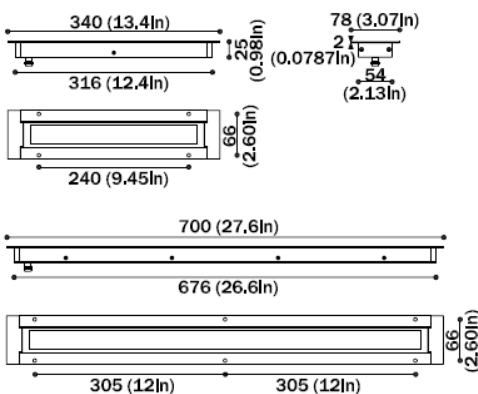
Power supply	24 Vdc
LED driver 700mA dc cost	integrato
IEC class	III
Degree of protection	IP67

Optical and mechanical features

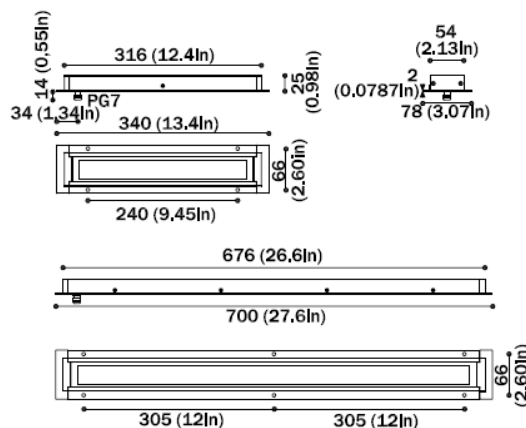
LED type	mini power LED
LED lifetime	50 000 h
Brightness	wide beam 120°
Light color	5000K Ra75
Structure	Anodized aluminum
Covering	tempered glass 4mm
Colore lampada	Aluminum
Operating temperatur	-20 +55°C
Fastening	M5 screws
Power cable	3x0,75mmq PUR: brown/black1 : 24Vdc (+) – blue/black2 : 0Vdc (-) yellow/green: GND

Model	Power supply	N° LED	Current	Watt	Light color	Weight
SIDAL2.50.x	24Vdc	36	0,6 A	13 W	5000 K	0,80 Kg / 1.76lb ~
SIDAL5.50.x	24Vdc	90	1,5 A	34 W	5000 K	1,75 Kg / 3,86 lb ~

DIMENSIONS (all values in millimeter / inch)



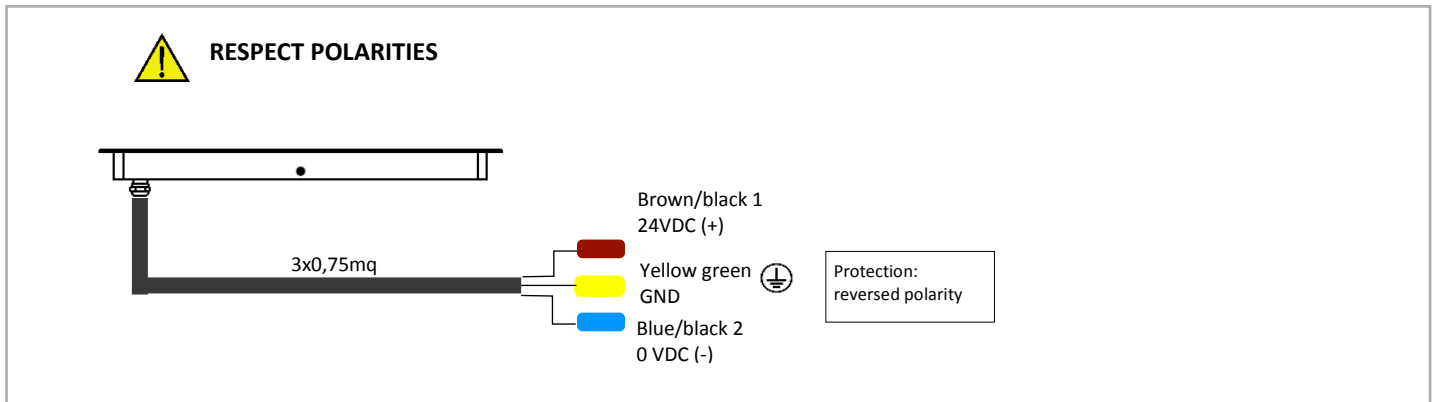
SIDAL – built-in



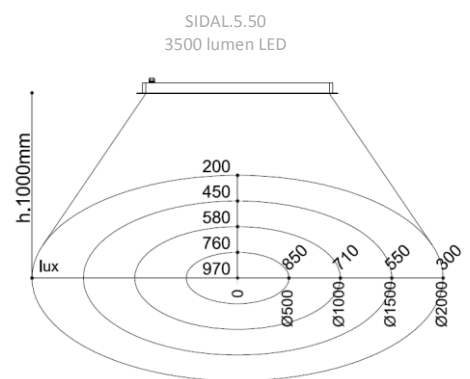
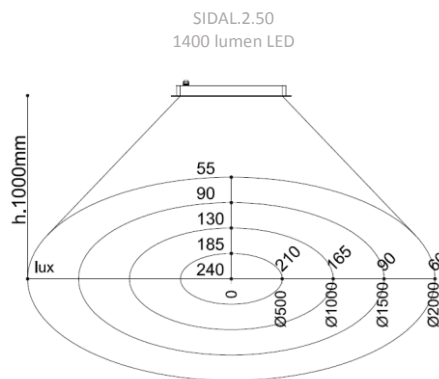
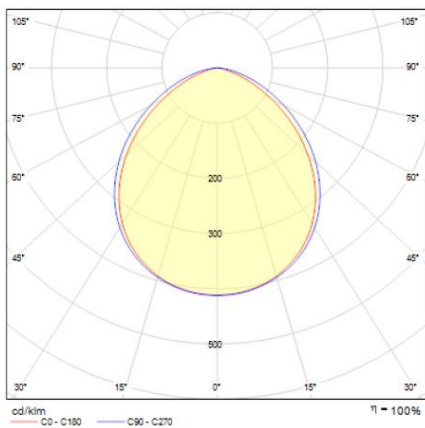
SIDAL - external



ELECTRICAL CONNECTION – LAMPE WITH CABLE

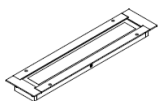


PHOTOMETRIC DATA – FLOW LIGHT FROM WORKING SURFACE



ORDER CODES

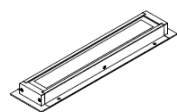
BUILT-IN VERSION



CODE	N.LED	POWER SUPPLY	WATT	LIGHT COLOR	CONNECTION
SIDAL.2.50.I	36	24VDC	13W	5000K	1,5m CABLE
SIDAL.5.50.I	90	24VDC	34W	5000K	1,5m CABLE
SIDAL.2.50.I.C3	36	24VDC	13W	5000K	3m CABLE
SIDAL.5.50.I.C3	90	24VDC	34W	5000K	3m CABLE
SIDAL.2.50.I.C5	36	24VDC	13W	5000K	5m CABLE
SIDAL.5.50.I.C5	90	24VDC	34W	5000K	5m CABLE
SIDAL.2.50.I.C10	36	24VDC	13W	5000K	10m CABLE
SIDAL.5.50.I.C10	90	24VDC	34W	5000K	10m CABLE









EXTERNAL VERSION



CODE	N.LED	POWER SUPPLY	WATT	LIGHT COLOR	CONNECTION
SIDAL.2.50.E	36	24VDC	13W	5000K	1,5m CABLE
SIDAL.5.50.E	90	24VDC	34W	5000K	1,5m CABLE
SIDAL.2.50.E.C3	36	24VDC	13W	5000K	3m CABLE
SIDAL.5.50.E.C3	90	24VDC	34W	5000K	3m CABLE
SIDAL.2.50.E.C5	36	24VDC	13W	5000K	5m CABLE
SIDAL.5.50.E.C5	90	24VDC	34W	5000K	5m CABLE
SIDAL.2.50.E.C10	36	24VDC	13W	5000K	10m CABLE
SIDAL.5.50.E.C10	90	24VDC	34W	5000K	10m CABLE

ACCESSORIES

CODE	DESCRIPTION
 A0361005060922D	AC/DC converter 230/24VDC 60W
 M12V.F.3C1,5	M12 4P (F) CONN + PUR 3x0,75 L1,5m cable
 M12V.F.3C3	M12 4P (F) CONN + PUR 3x0,75 L3m cable
 M12V.F.3C5	M12 4P (F) CONN + PUR 3x0,75 L5m cable
 M12V.F.3C10	M12 4P (F) CONN + PUR 3x0,75 L10m cable
 N11810001040302	M12 4P (F) connector for 6-8mm power supply cable